



US00D489045S

(12) **United States Design Patent**
Wang et al.

(10) **Patent No.:** **US D489,045 S**
(45) **Date of Patent:** **** Apr. 27, 2004**

(54) **CELLULAR PHONE**

(75) Inventors: **Feng-Chun Wang**, Taichung (TW);
Gwo-Chyuan Chen, Taipei (TW)

(73) Assignee: **Quanta Computer, Inc.**, Tao Yuan
Shien (TW)

(**) Term: **14 Years**

(21) Appl. No.: **29/168,849**

(22) Filed: **Oct. 10, 2002**

(51) **LOC (7) Cl.** **14-03**

(52) **U.S. Cl.** **D14/138**

(58) **Field of Search** D14/137, 138,
D14/218, 147-148, 247-248, 144, 244,
246, 341-347; 379/433.01-433.13, 419,
434, 428.01-428.04, 420.01-420.04, 440;
D10/37, 126; 455/550.1-90.3; D21/517;
D11/80; D28/78, 79, 82; 345/168, 169

(56) **References Cited**

U.S. PATENT DOCUMENTS

D19,526 S	*	12/1889	Parker	D10/37
D21,719 S	*	7/1892	Dueber	D10/37
D74,933 S	*	4/1928	Lauer	D9/310
D195,959 S	*	8/1963	Spilman	D14/228
D225,586 S	*	12/1972	Stahl	D28/82
D247,846 S	*	5/1978	Kortick	D28/91.1
D249,332 S	*	9/1978	Hauf	D9/420
D270,389 S	*	8/1983	Lee	D28/83
D282,544 S	*	2/1986	Wu	D14/147
D291,991 S	*	9/1987	Lee	D14/147
D292,286 S	*	10/1987	Basch	D14/143
D292,581 S	*	11/1987	Yoshiharu	D14/147
D310,093 S	*	8/1990	Sakaguchi et al.	D18/7
D358,149 S	*	5/1995	Fellinger	D14/138
D359,733 S	*	6/1995	Fellinger	D14/138
D361,064 S	*	8/1995	Fellinger	D14/138
D363,069 S	*	10/1995	Bro	D14/191
D371,126 S	*	6/1996	Bro	D14/138
D382,175 S	*	8/1997	Green	D7/538
D382,556 S	*	8/1997	Jeong	D14/138
D401,577 S	*	11/1998	Yamaguchi	D14/138

5,890,052 A	*	3/1999	Read et al.	455/575.3
D424,558 S	*	5/2000	Hong	D14/143
D424,751 S	*	5/2000	Kudo et al.	D28/78
D427,172 S	*	6/2000	Bequir	D14/138
D434,403 S	*	11/2000	Jaynes et al.	D14/138
D440,959 S	*	4/2001	Wolf et al.	D14/191
6,240,302 B1	*	5/2001	Harrison	455/556.1
D451,078 S	*	11/2001	Kim	D14/138
D453,751 S	*	2/2002	Bearden	D14/138
D457,865 S	*	5/2002	Lam	D14/147
D458,249 S	*	6/2002	Hayashi	D14/218
D473,345 S	*	4/2003	Thorpe	D28/82
D476,572 S	*	7/2003	Merritt	D9/504
2002/0068617 A1	*	6/2002	Han	455/569.1
2003/0122784 A1	*	7/2003	Sholnikov	345/169

* cited by examiner

Primary Examiner—Jeffrey Asch

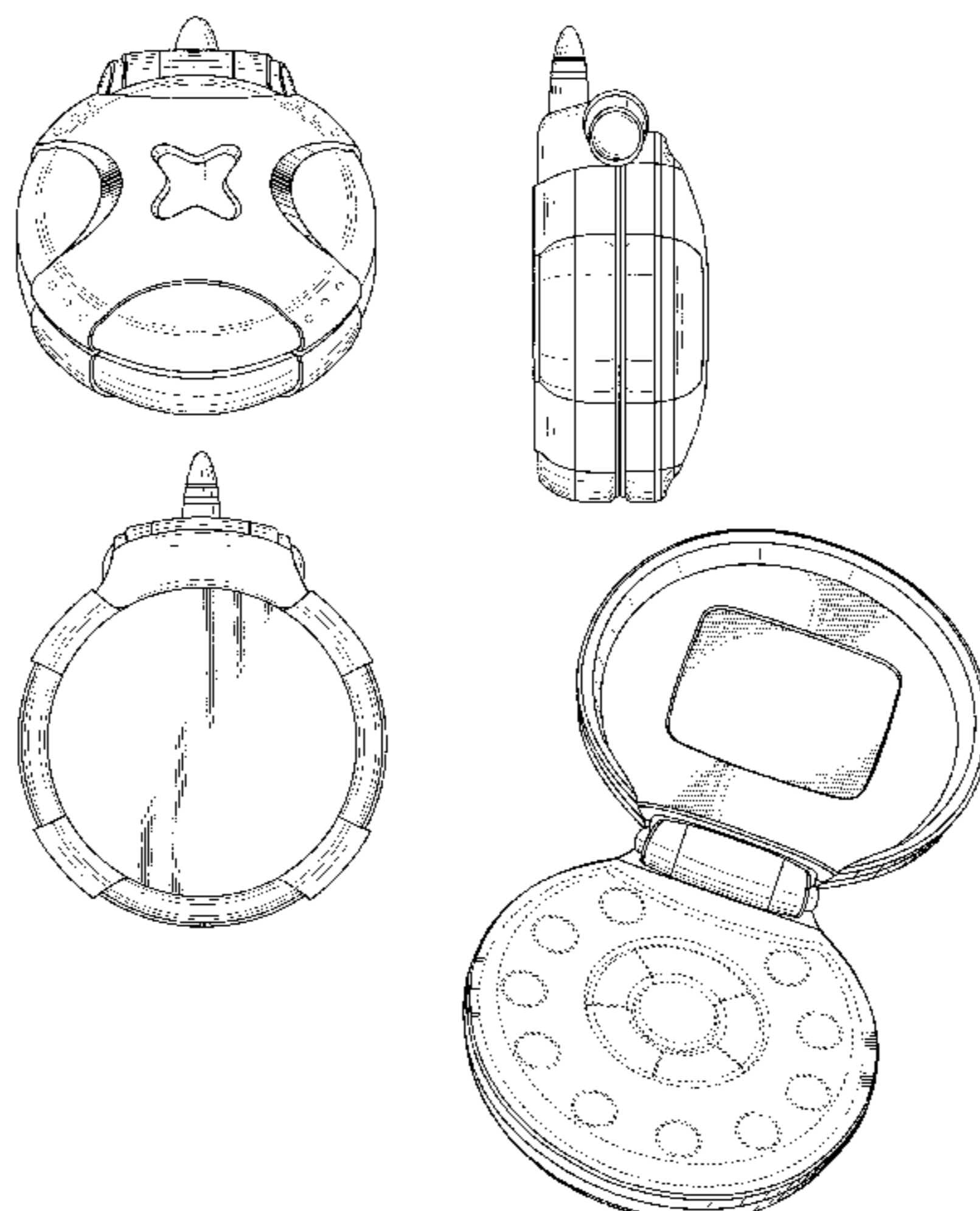
(57) **CLAIM**

The ornamental design for a cellular phone, as shown and described.

DESCRIPTION

FIG. 1 is a front, side perspective view of a cellular phone showing our new design with the lid in a closed position; FIG. 2 is a front elevational view thereof; FIG. 3 is a left side elevational view thereof; FIG. 4 is a right side elevational view thereof; FIG. 5 is a top plan view thereof; FIG. 6 is a bottom plan view thereof; FIG. 7 is a rear elevational view thereof; FIG. 8 is a front, side perspective view of a cellular phone showing our new design with the lid in an open position; FIG. 9 is a front elevational view thereof; FIG. 10 is a left side elevational view thereof; FIG. 11 is a right side elevational view thereof; FIG. 12 is a top plan view thereof; FIG. 13 is a bottom plan view thereof; and, FIG. 14 is a rear elevational view thereof. The broken lines showing the outline of a keypad is for illustration purposes only and forms no part of the claimed invention.

1 Claim, 7 Drawing Sheets



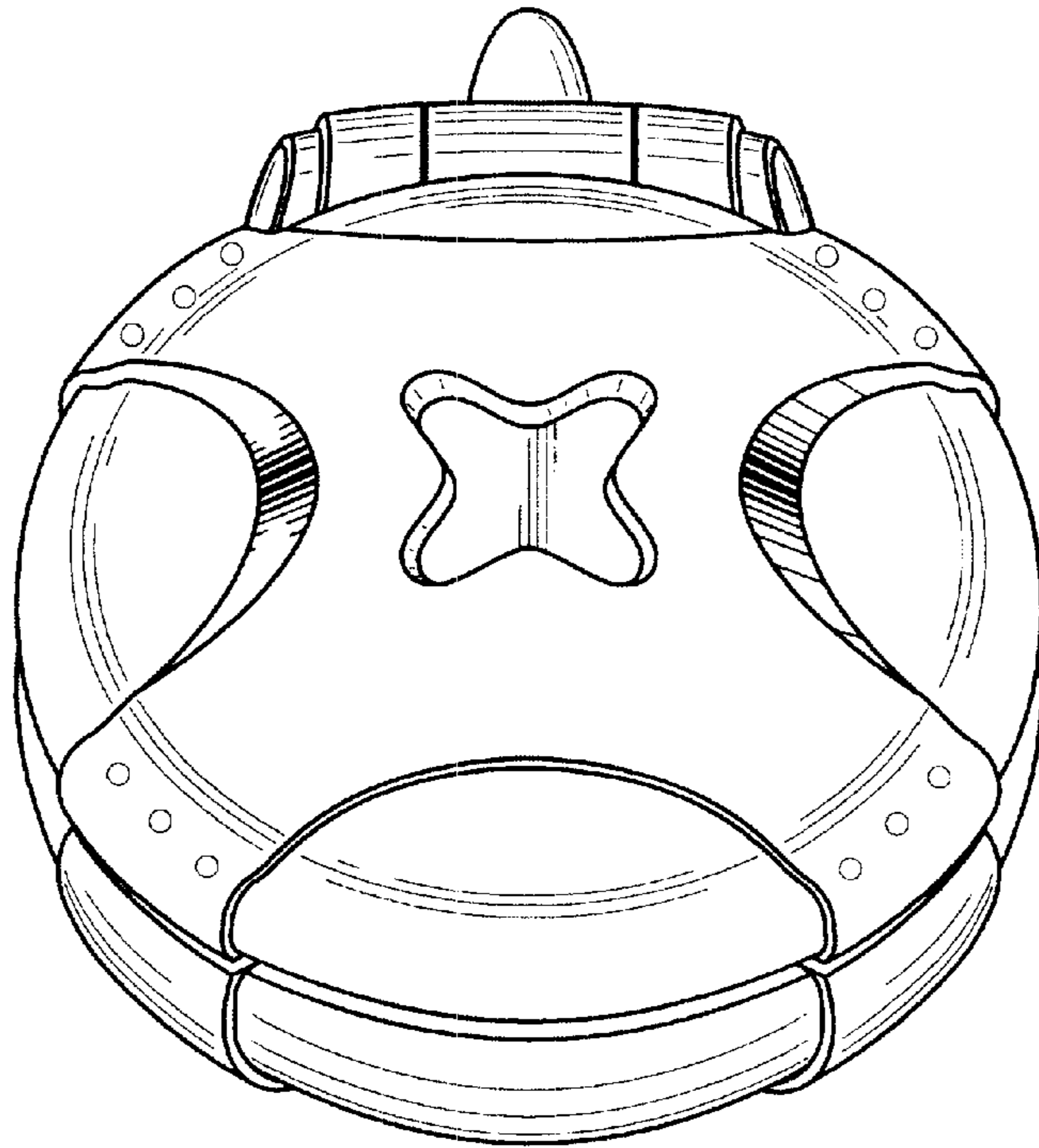
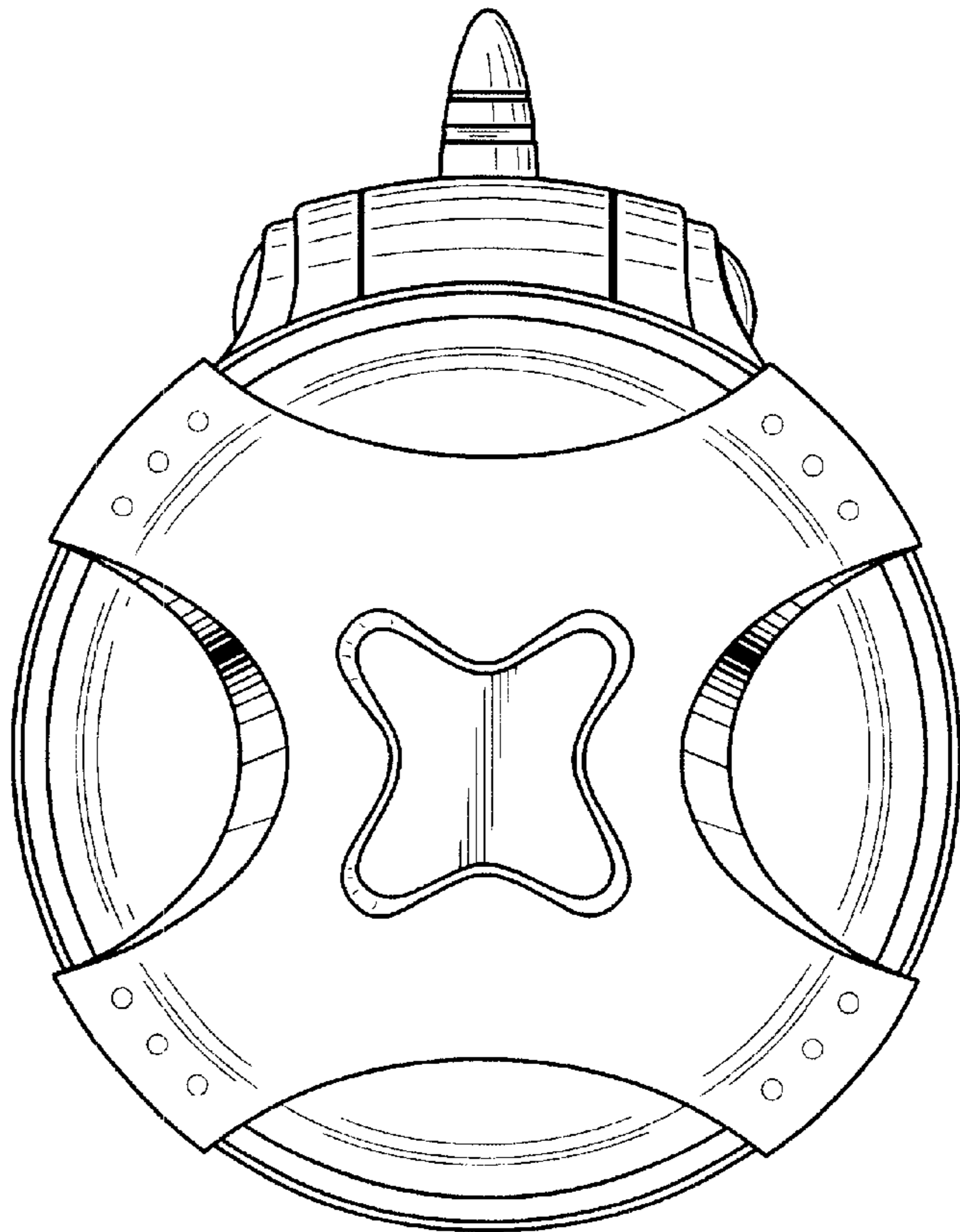


Fig. 1

Fig. 2



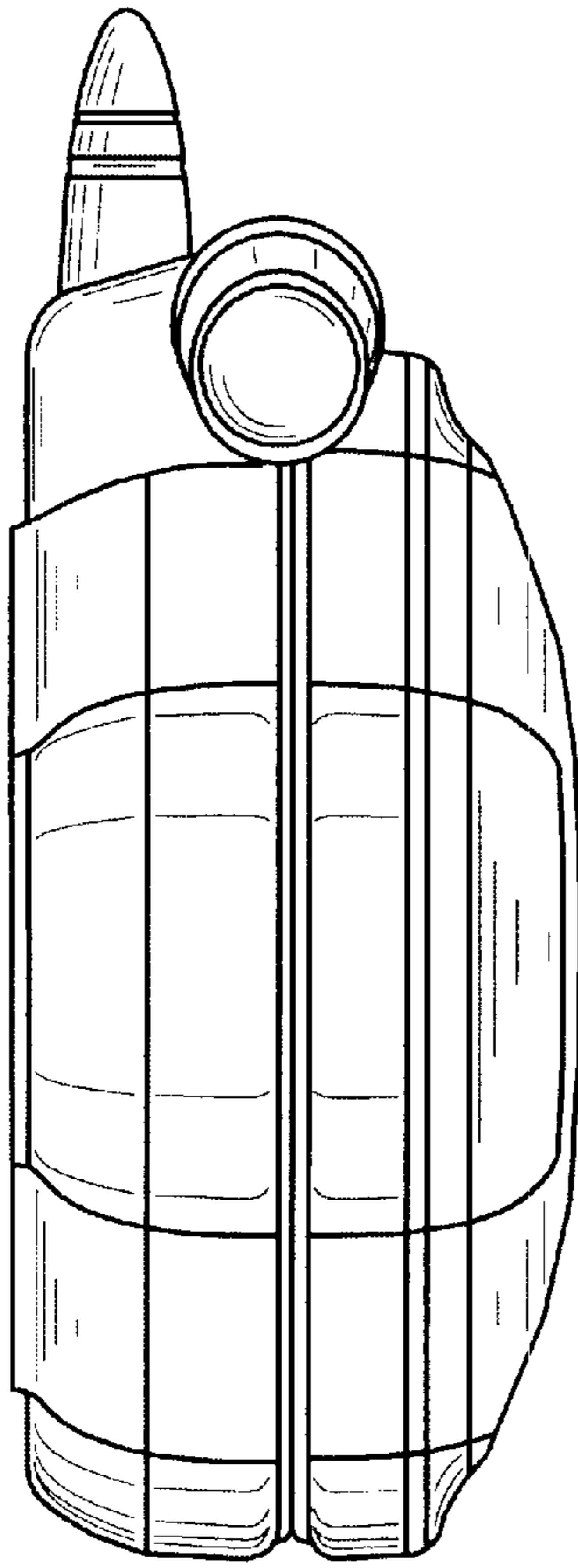


Fig. 3

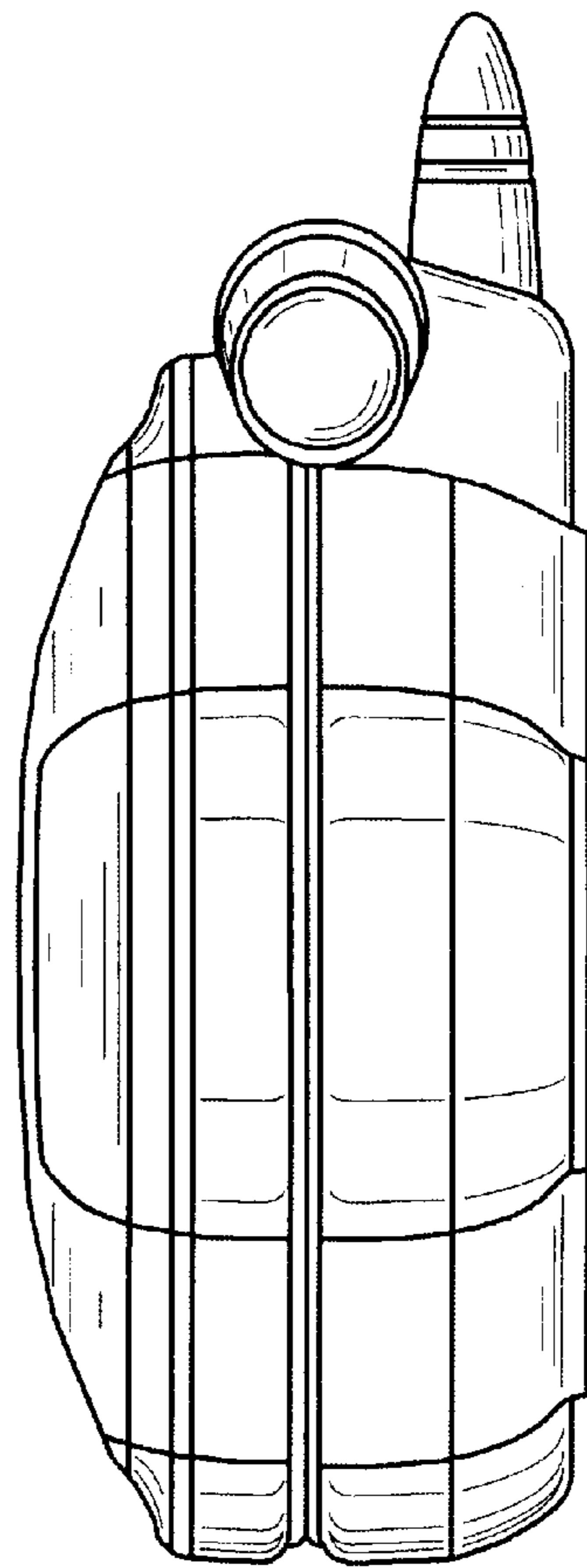


Fig. 4

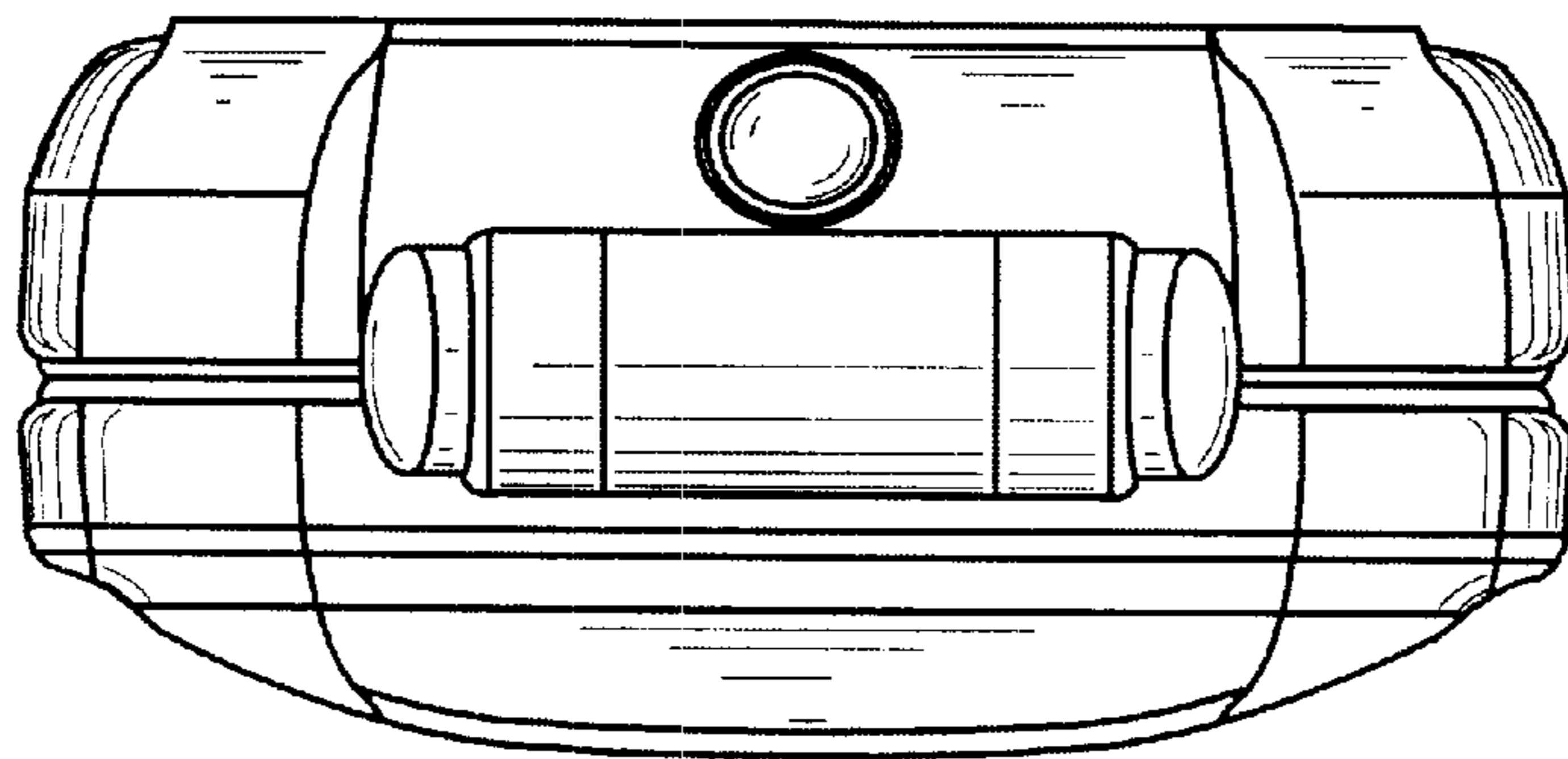


Fig. 5

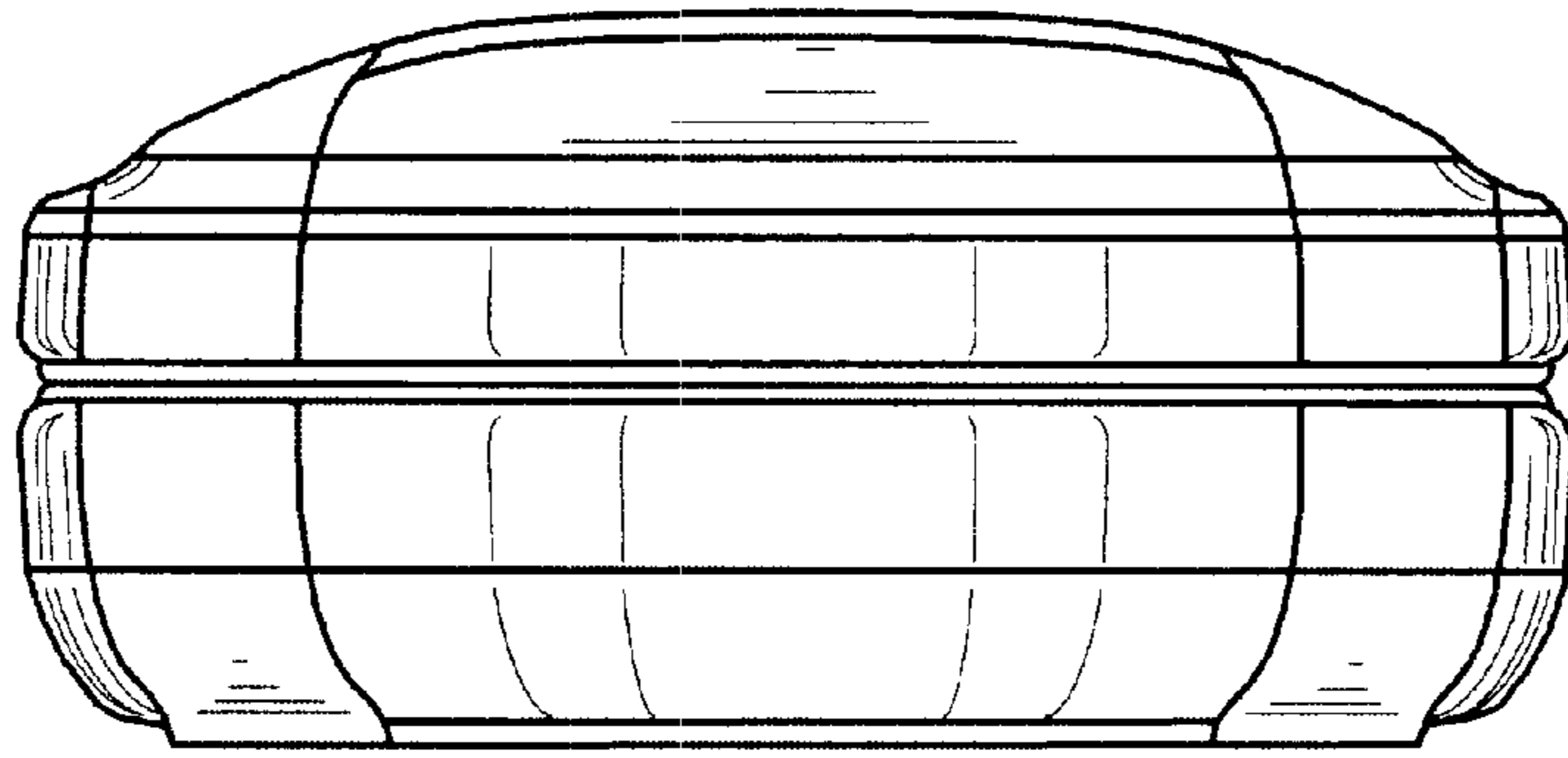


Fig. 6

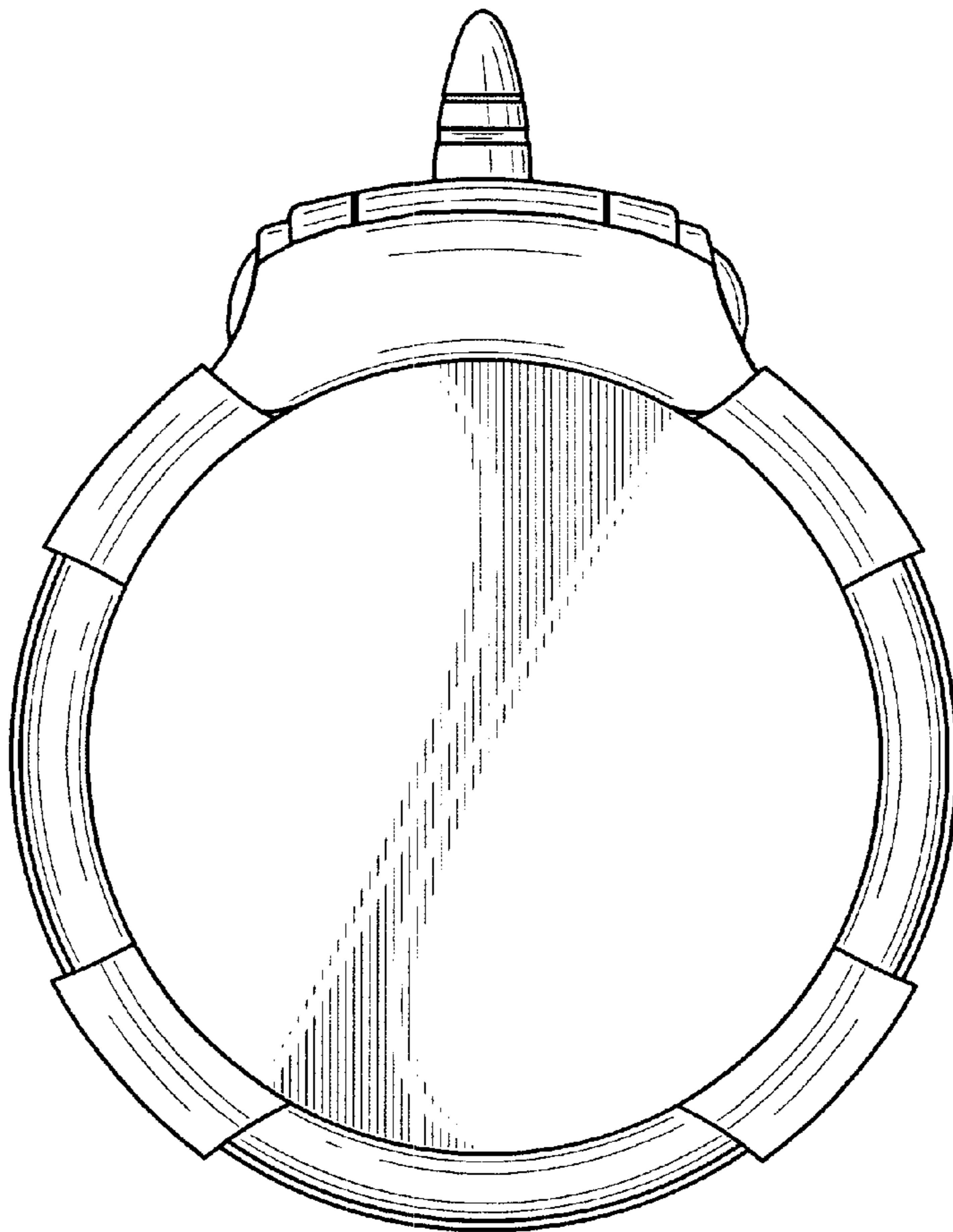


Fig. 7

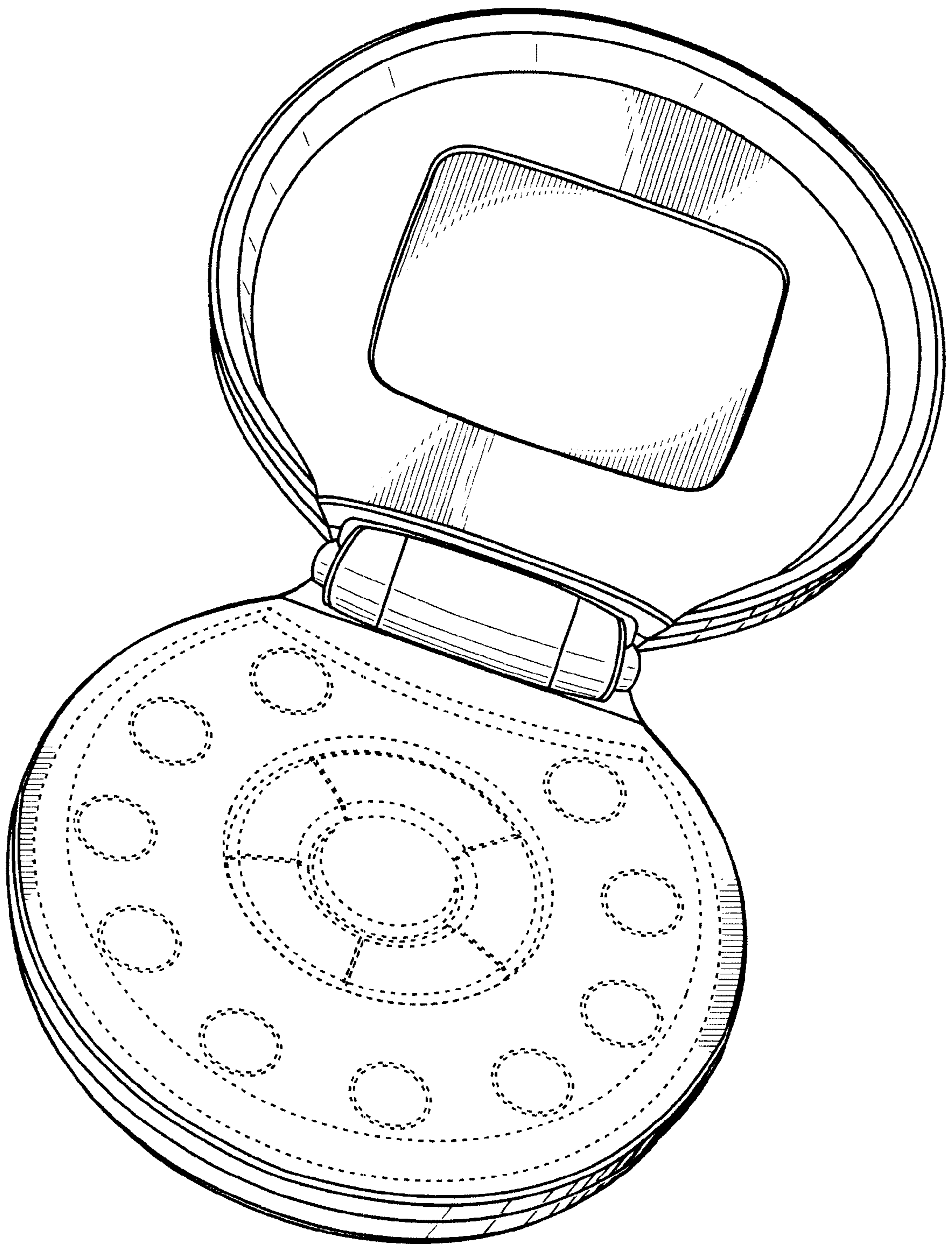


Fig. 8

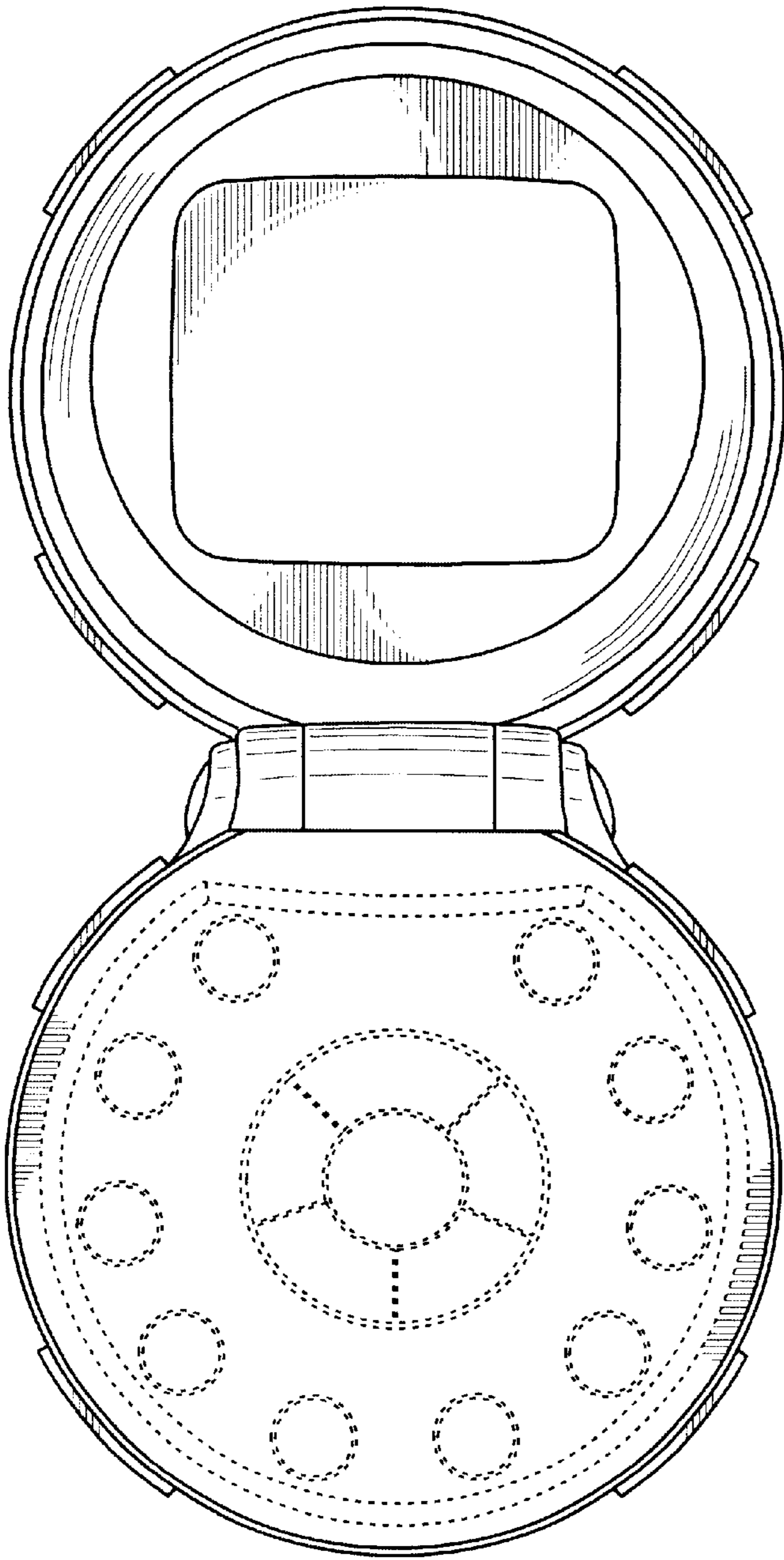


Fig. 9

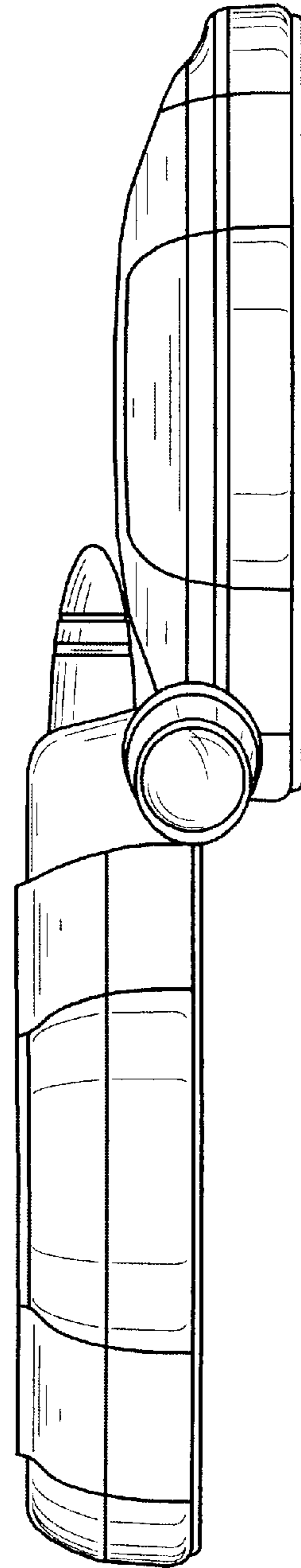


Fig. 10

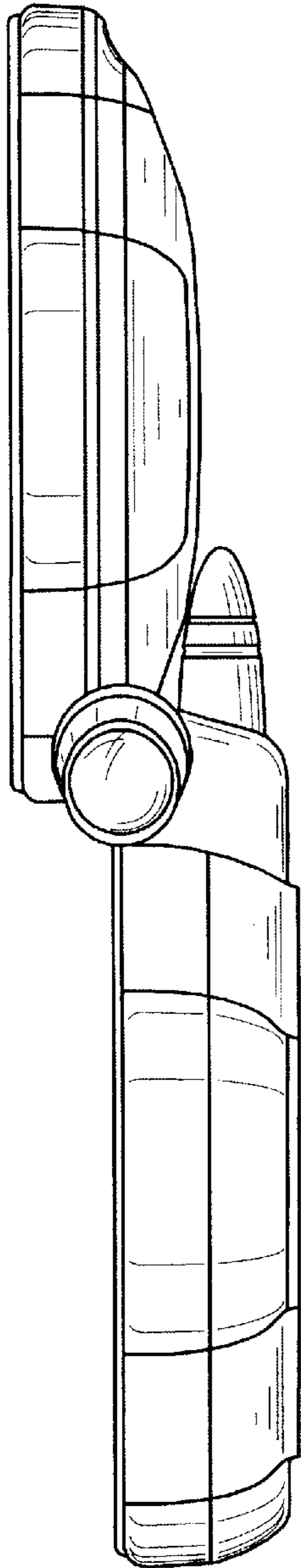


Fig. 11

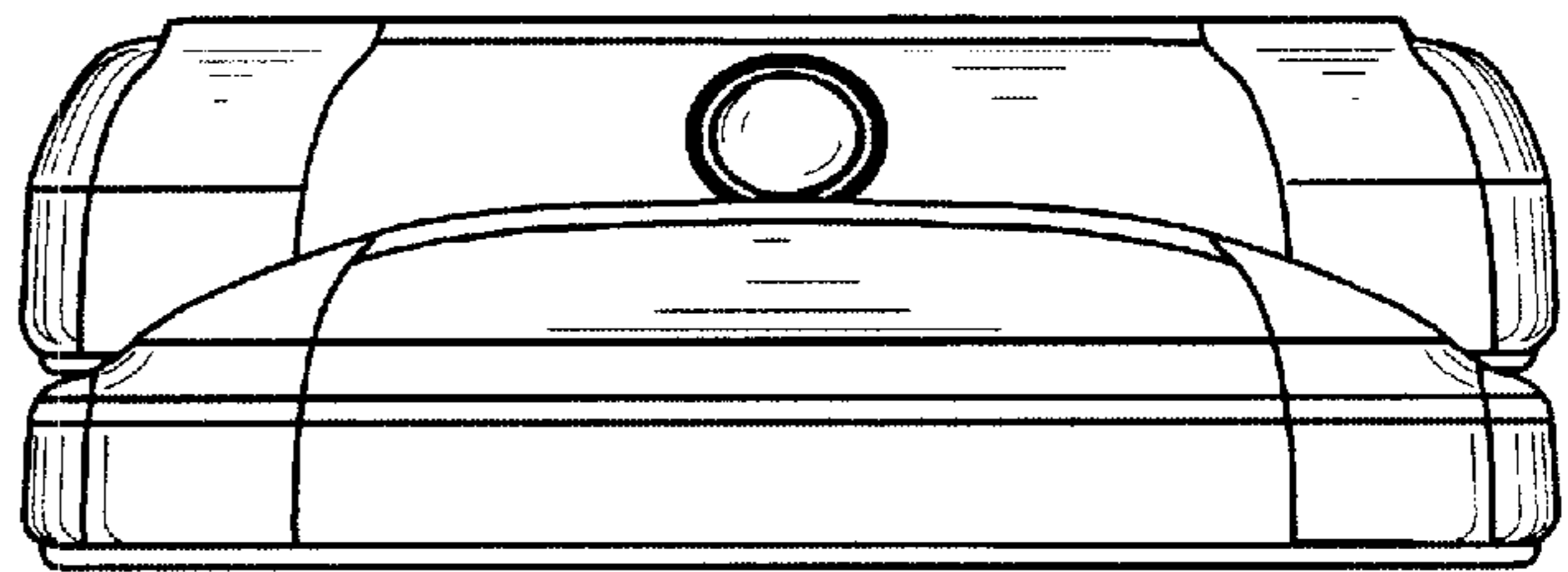


Fig. 12

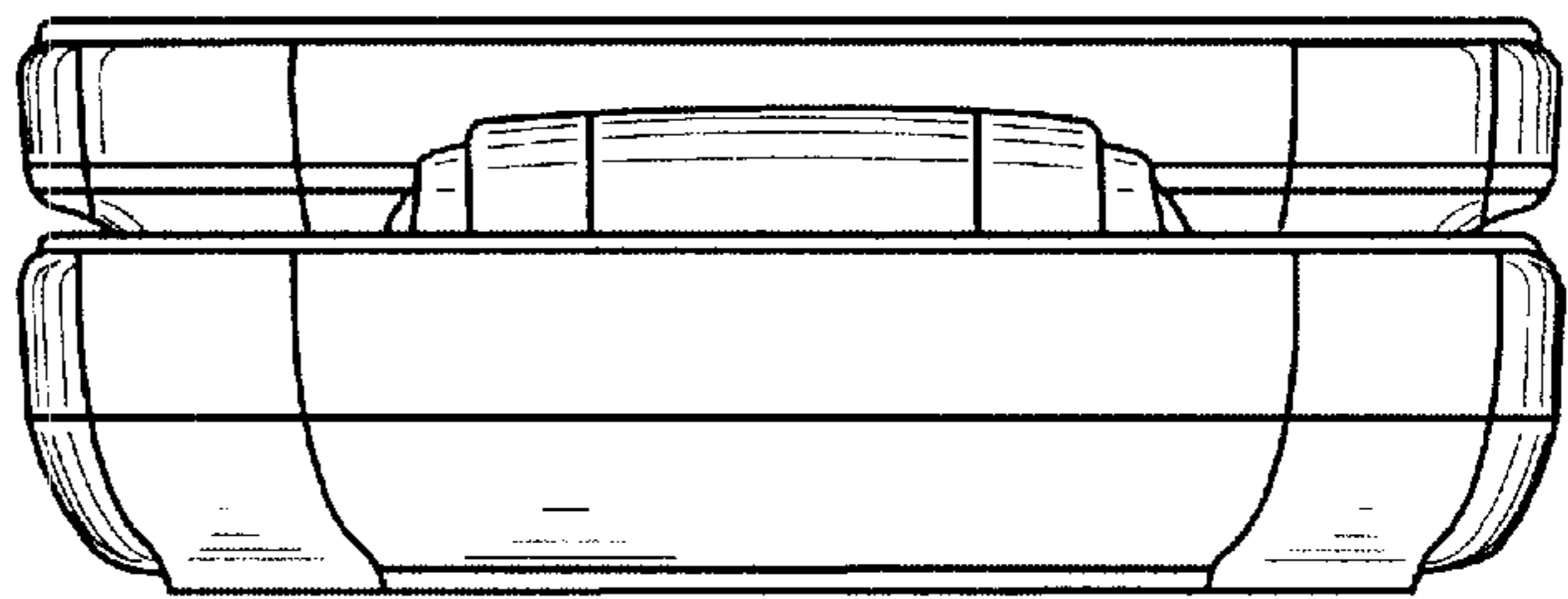


Fig. 13

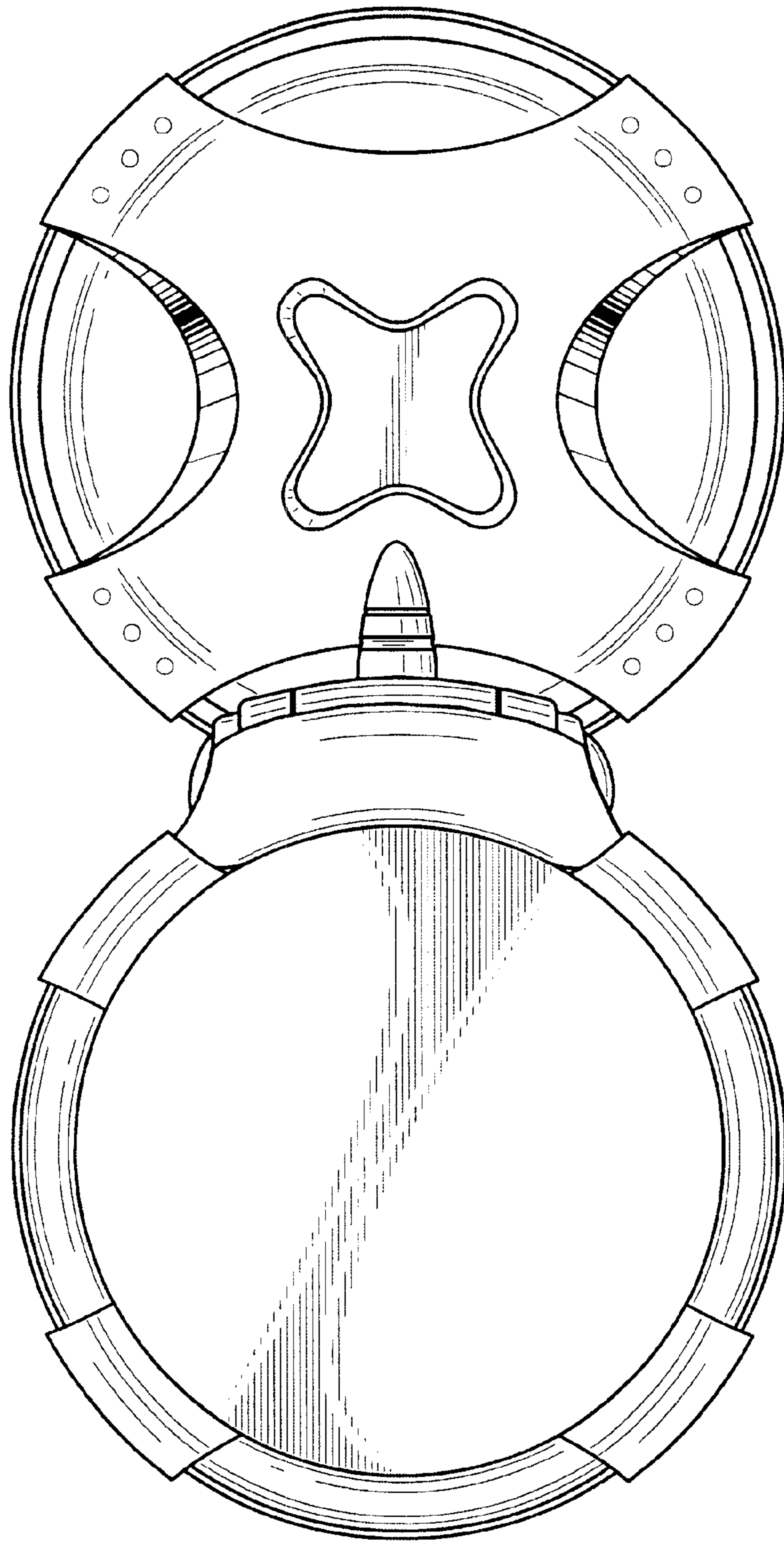


Fig. 14