



US00D489043S

(12) **United States Design Patent**
Campbell et al.

(10) **Patent No.: US D489,043 S**

(45) **Date of Patent: ** Apr. 27, 2004**

(54) **VIDEOPHONE**

(75) **Inventors: Robert Craig Campbell**, Cranberry Township, PA (US); **Jeremiah Peter O'Leary**, Chicago, IL (US); **Traci J. Barron**, Chicago, IL (US); **Anastasios G. Karahalios**, Evanston, IL (US); **Rodney Hal Monson**, Winthrop Harbor, IL (US); **Kenneth Alan Ritscher**, Chicago, IL (US); **Martin Thaler**, Chicago, IL (US)

(73) **Assignee: Marconi Communications, Inc.**, Warrendale, PA (US)

(**) **Term: 14 Years**

(21) **Appl. No.: 29/181,400**

(22) **Filed: May 9, 2003**

(51) **LOC (7) Cl. 14-03**

(52) **U.S. Cl. D14/130**

(58) **Field of Search** D14/329, 330, D14/447, 374-376, 148, 147, 126, 149-151, 136, 140-142, 146, 240, 241, 129, 130, 144, 317, 336-337; 379/420.01, 420.02, 420.03, 419, 420.04, 428.02, 428.01, 428.04, 428.03, 454, 440, 90.01, 93.17, 93.19, 93.22, 433-436, 900, 441; 348/14.01-14.16; D20/10, 1, 4; D99/28; D25/4, 16; D6/310, 314, 421; 52/27.5

(56) **References Cited**

U.S. PATENT DOCUMENTS

D213,108 S	*	1/1969	Dreyfuss et al.	D14/130
D223,672 S	*	5/1972	Sjoholm	D14/130
D225,113 S	*	11/1972	Genaro et al.	D14/130
D232,560 S	*	8/1974	Maddock et al.	D14/130
D237,801 S	*	11/1975	Genaro et al.	D14/130
D241,655 S	*	9/1976	Genaro et al.	D14/130
D290,958 S	*	7/1987	Kawata et al.	D14/130
D293,579 S	*	1/1988	Davis	D14/375
D309,304 S	*	7/1990	Takada et al.	D14/144
D350,743 S	*	9/1994	Hicks, III et al.	D14/130
D354,954 S	*	1/1995	Naito et al.	D14/130

D357,912 S	*	5/1995	Martin	D14/130
D392,628 S	*	3/1998	Hayashi	D14/374
D392,946 S	*	3/1998	Elkins	D14/329
D393,462 S	*	4/1998	Morimiya	D14/126
D410,004 S	*	5/1999	LaPorte et al.	D14/146
D412,891 S	*	8/1999	Sumii	D14/374
D417,659 S	*	12/1999	Takemasa	D14/374
D419,977 S	*	2/2000	Chuo	D14/375
D475,985 S	*	6/2000	Huang et al.	D14/130
D431,537 S	*	10/2000	Saeki et al.	D14/126
D435,525 S	*	12/2000	Eddington et al.	D14/130
D439,224 S	*	3/2001	Kita	D14/126
D439,225 S	*	3/2001	Kita	D14/126
D440,545 S	*	4/2001	Pham et al.	D14/130
D441,732 S	*	5/2001	Ota	D14/126
D442,951 S	*	5/2001	Hill et al.	D14/336
D454,845 S	*	3/2002	Niitsu	D14/126
6,369,847 B1	*	4/2002	James et al.	348/14.01
D458,236 S	*	6/2002	Bong et al.	D14/126
D463,430 S	*	9/2002	Goto	D14/374
D463,431 S	*	9/2002	Yamamoto et al.	D14/374
D463,780 S	*	10/2002	Hung	D14/130
D471,194 S	*	3/2003	Huang	D14/375
D475,356 S	*	6/2003	Niitsu	D14/126
D475,687 S	*	6/2003	Goto	D14/126
D478,080 S	*	8/2003	Wu	D14/374
D478,881 S	*	8/2003	OaLeary et al.	D14/130
D479,209 S	*	9/2003	Teng et al.	D14/126
D482,034 S	*	11/2003	Duan	D14/375

* cited by examiner

Primary Examiner—Jeffrey Asch

(74) *Attorney, Agent, or Firm*—Ansel M. Schwartz

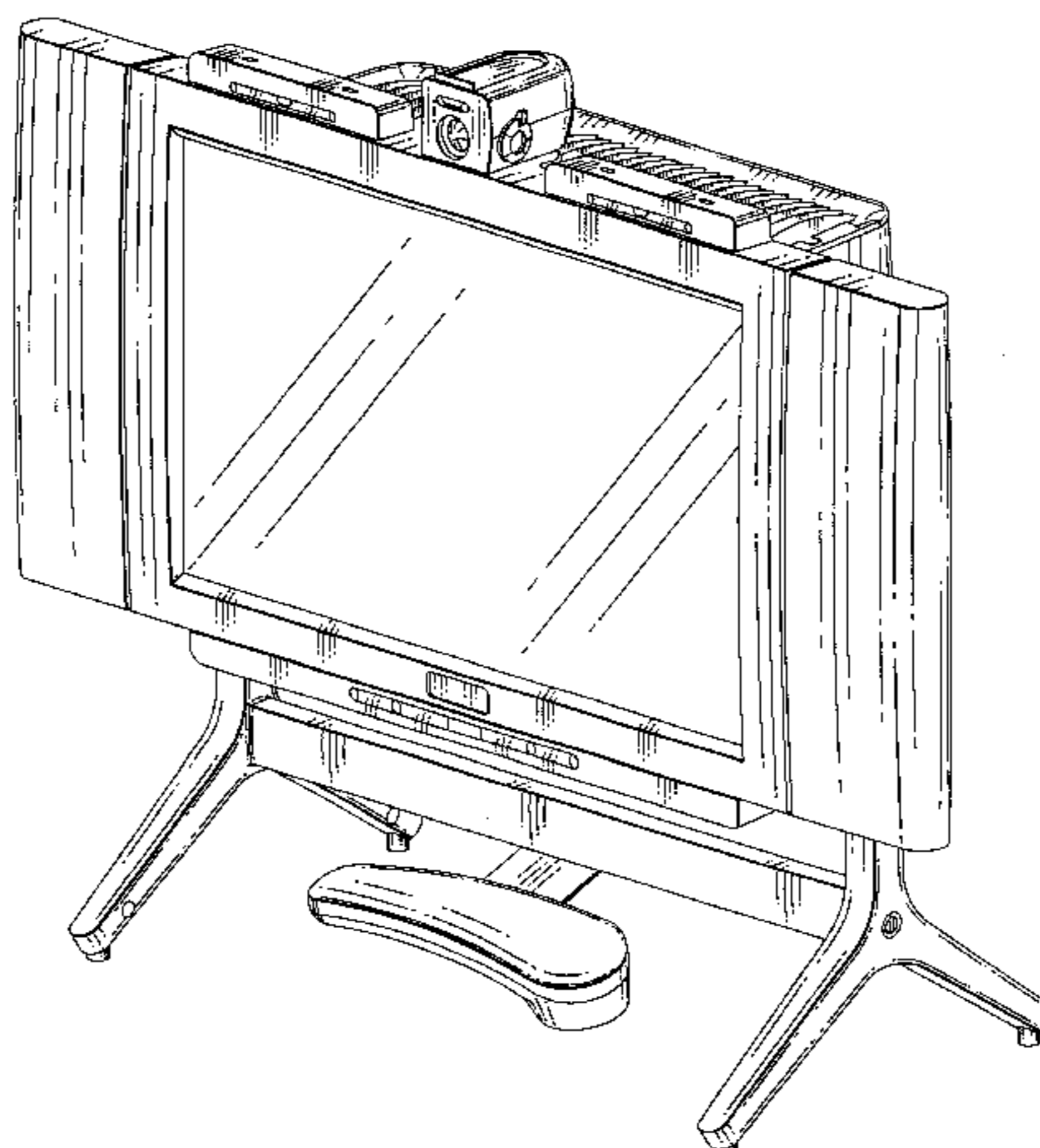
(57) **CLAIM**

We claim the ornamental design for the videophone, as shown and described.

DESCRIPTION

FIG. 1 is a front perspective view of a videophone showing our new design;
FIG. 2 is a front elevational view thereof;
FIG. 3 is a top elevational view thereof;
FIG. 4 is a left side elevational view thereof;
FIG. 5 is a right side elevational view thereof;
FIG. 6 is a bottom elevational view thereof; and,
FIG. 7 is a rear elevational view thereof.

1 Claim, 7 Drawing Sheets



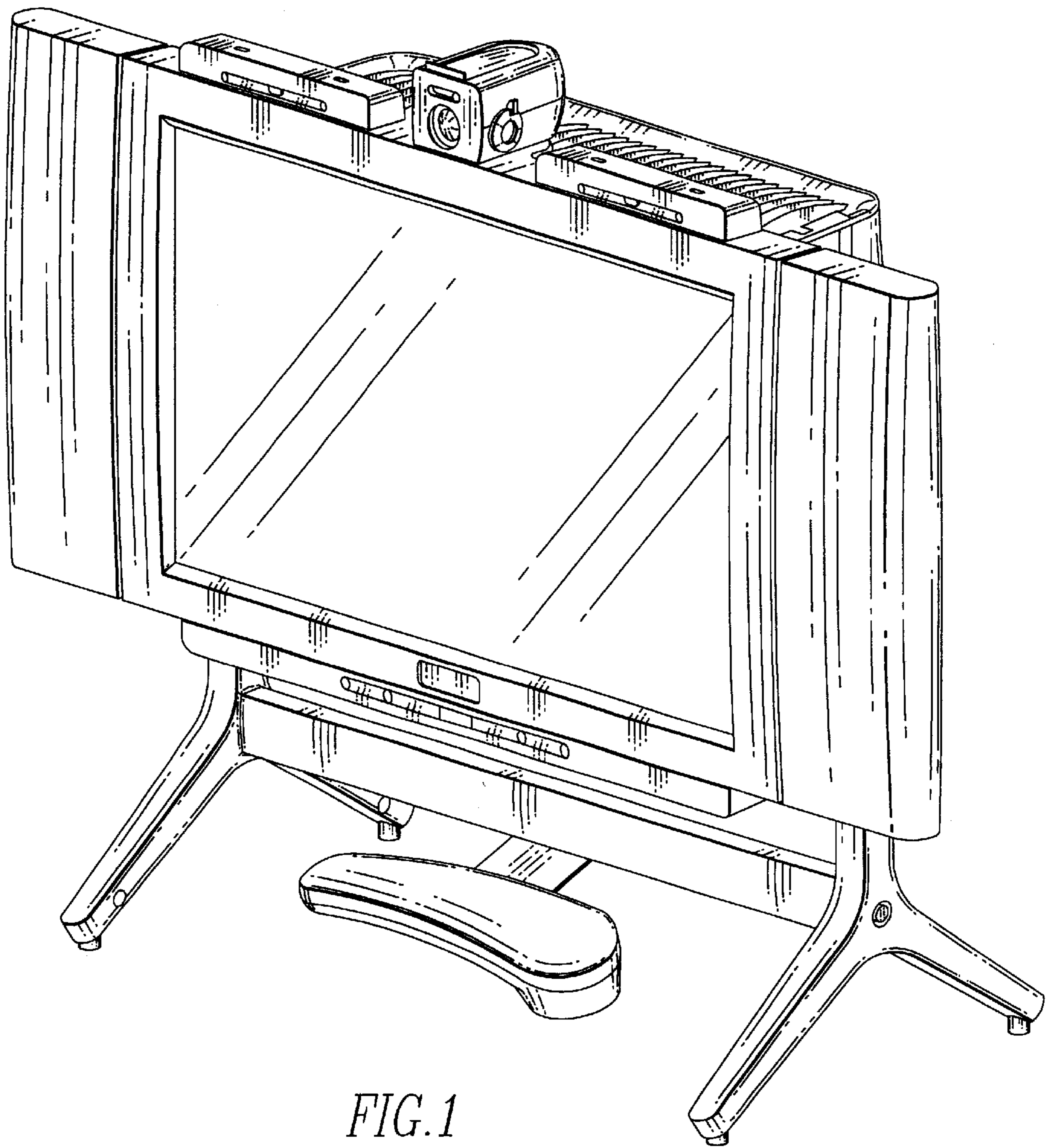


FIG. 1

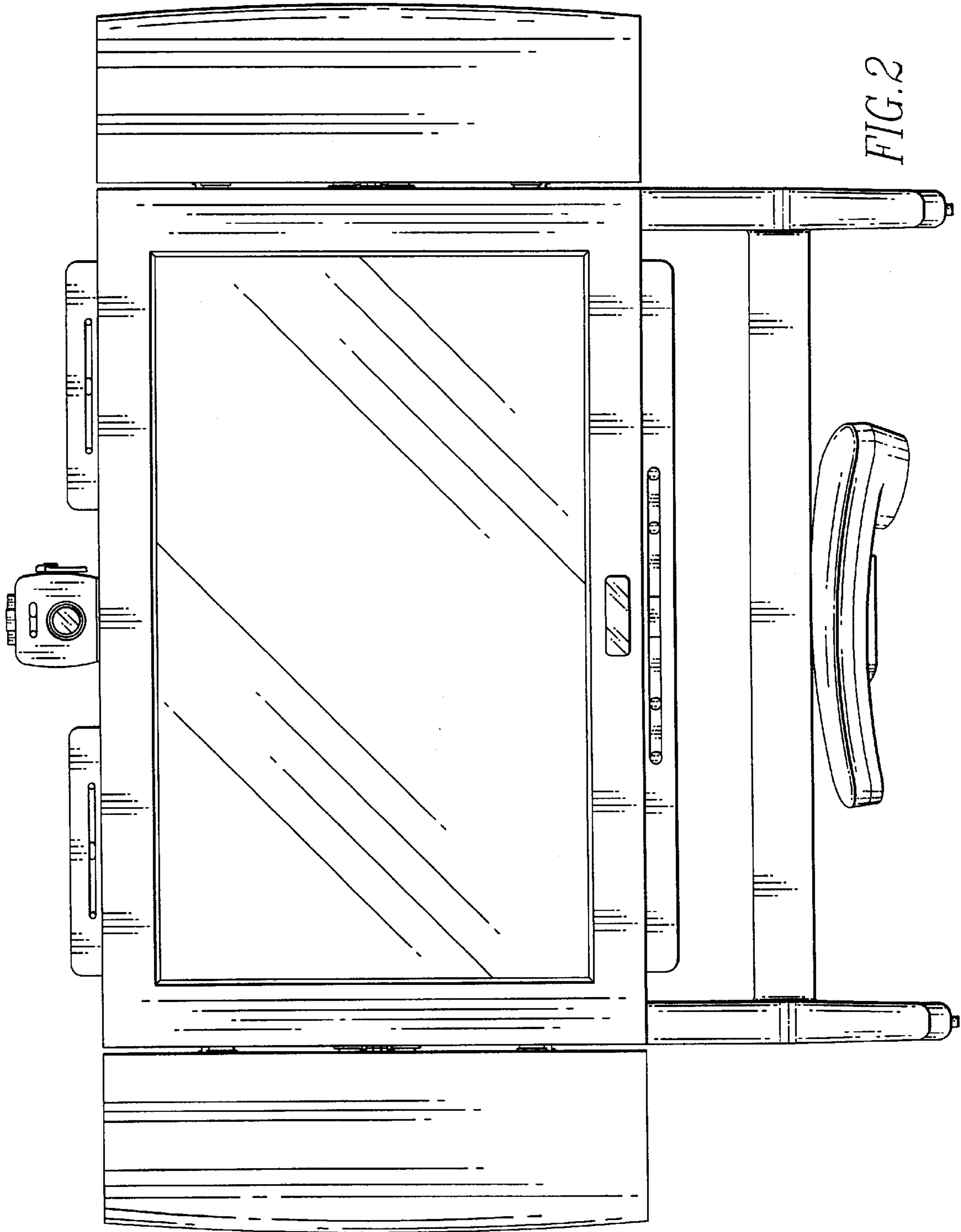


FIG. 2

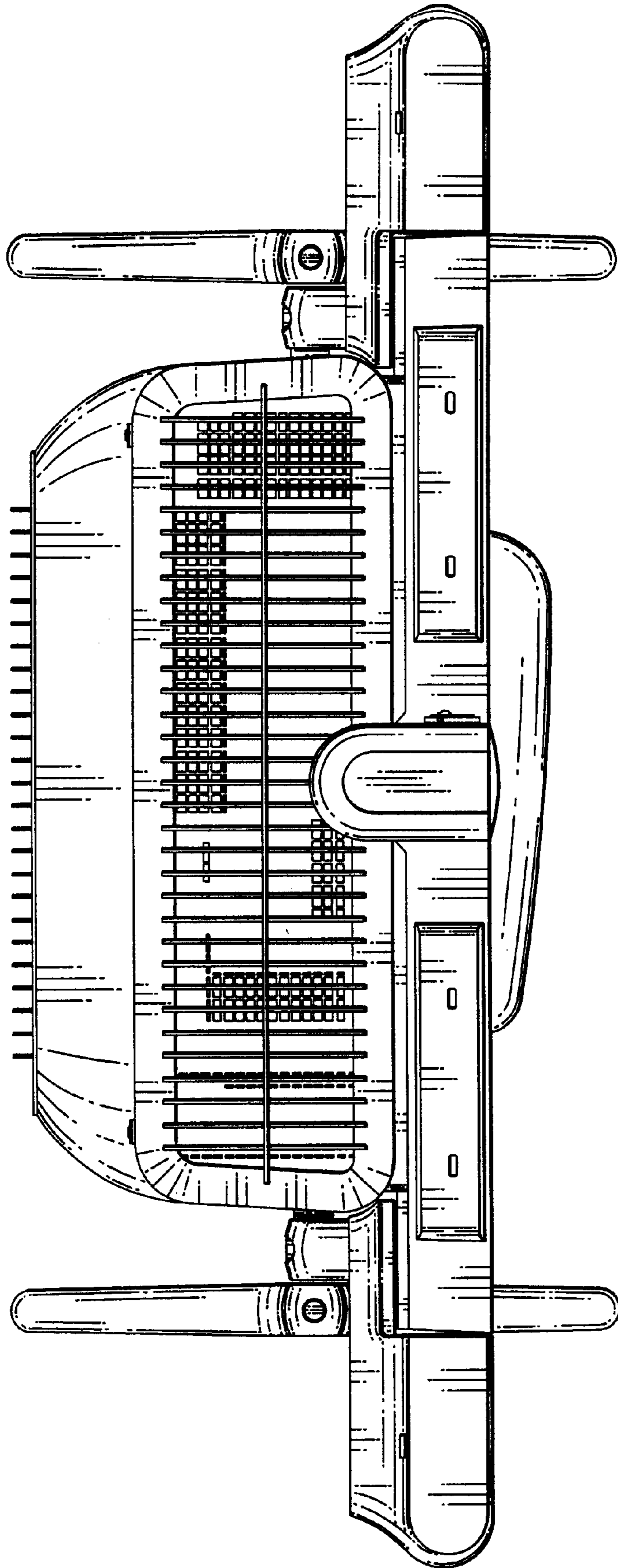


FIG. 3

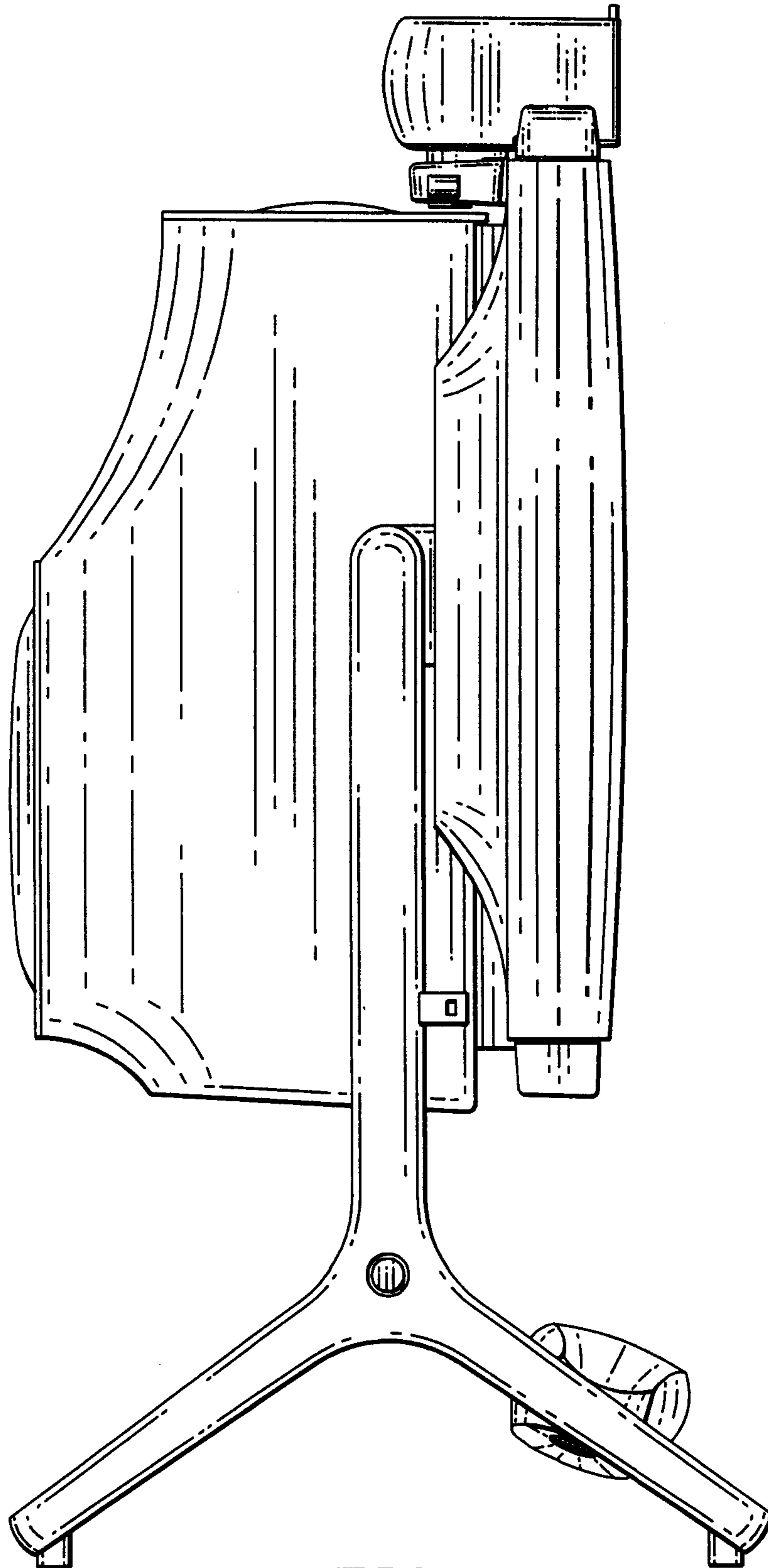


FIG. 4

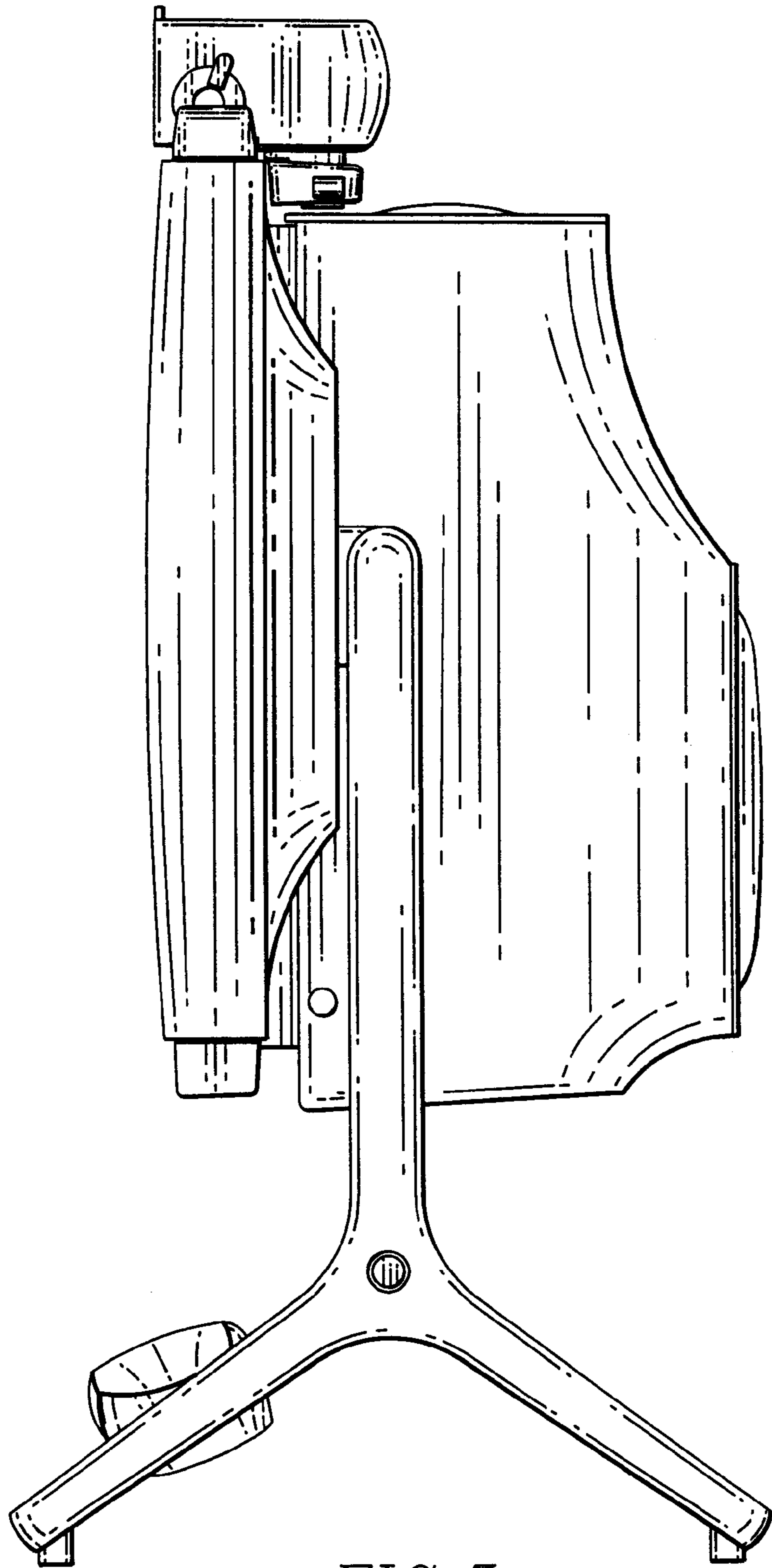


FIG. 5

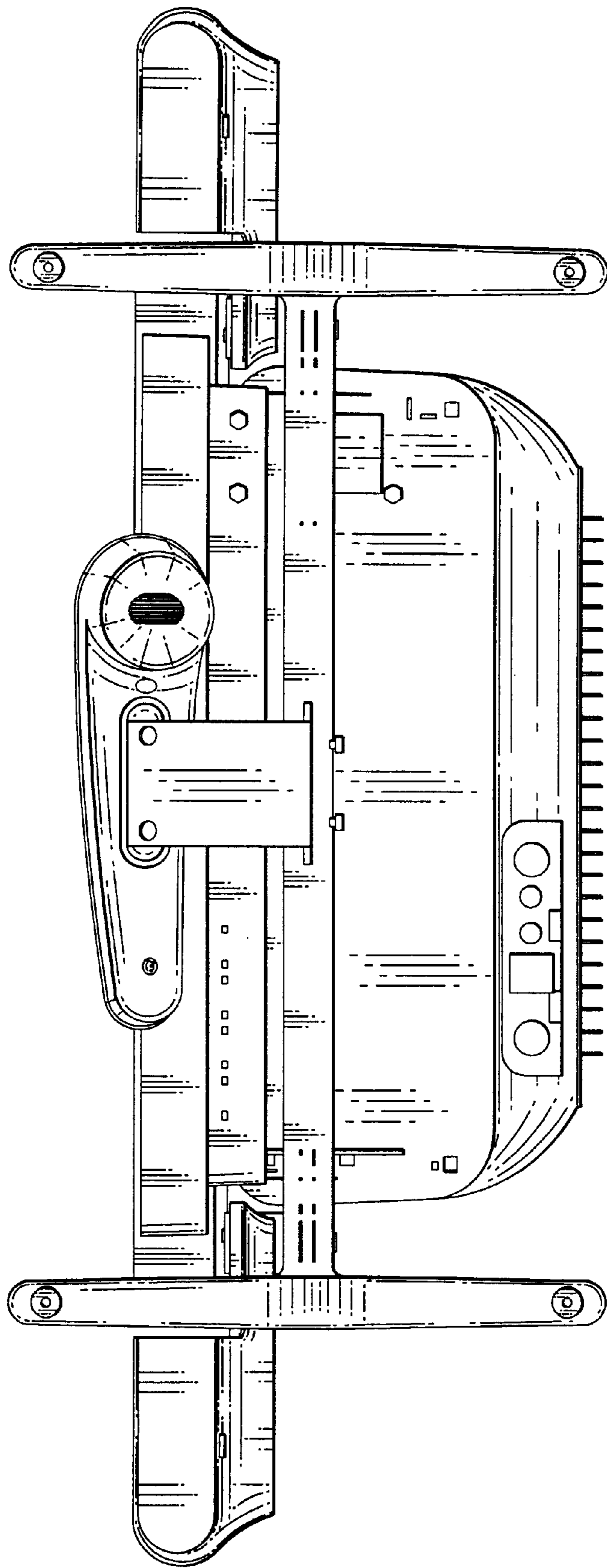


FIG. 6

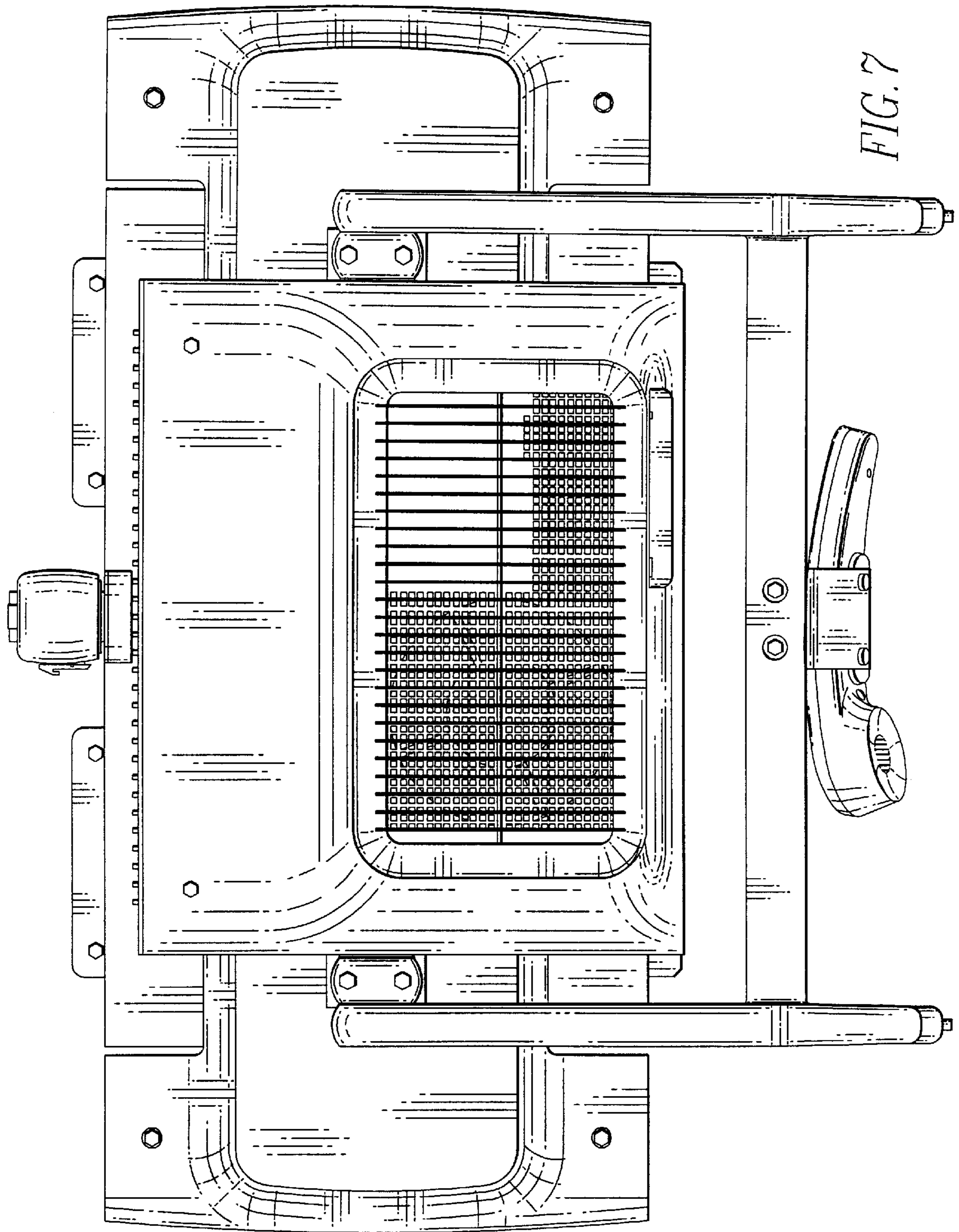


FIG. 7