



US00D489042S

(12) **United States Design Patent**
Joe et al.

(10) **Patent No.:** **US D489,042 S**

(45) **Date of Patent:** **** Apr. 27, 2004**

(54) **TELEVISION SET**

(75) Inventors: **Sung Gu Joe**, Seoul (KR); **Yoo Jung Ahn**, Seoul (KR)

(73) Assignee: **LG Electronics Inc.**, Seoul (KR)

(**) Term: **14 Years**

(21) Appl. No.: **29/182,842**

(22) Filed: **Jun. 3, 2003**

(30) **Foreign Application Priority Data**

Dec. 4, 2002 (KR) 2002-0034767

(51) **LOC (7) Cl.** **14-03**

(52) **U.S. Cl.** **D14/126; D14/128**

(58) **Field of Search** D14/125-134;
312/7.2; 348/787, 789, 836; 353/47, 74

(56) **References Cited**

U.S. PATENT DOCUMENTS

D411,842 S 7/1999 Ota D14/134

D414,177 S 9/1999 Tsuge et al. D14/128
D431,232 S 9/2000 Yokoyama et al. D14/133
D441,732 S 5/2001 Ota D14/126
D472,533 S 4/2003 Kanatani et al. D14/128

Primary Examiner—Raphael Barkai

(74) *Attorney, Agent, or Firm*—Birch, Stewart, Kolasch & Birch, LLP

(57) **CLAIM**

We claim the ornamental design for television set, as shown and described.

DESCRIPTION

FIG. 1 is a perspective view of television set showing the new design;
FIG. 2 is a front view thereof;
FIG. 3 is a rear view thereof;
FIG. 4 is a left-side view thereof;
FIG. 5 is a right-side view thereof;
FIG. 6 is a top plan view thereof; and
FIG. 7 is a bottom plan view thereof; and,
FIG. 8 is a reference view 1 thereof.

1 Claim, 5 Drawing Sheets

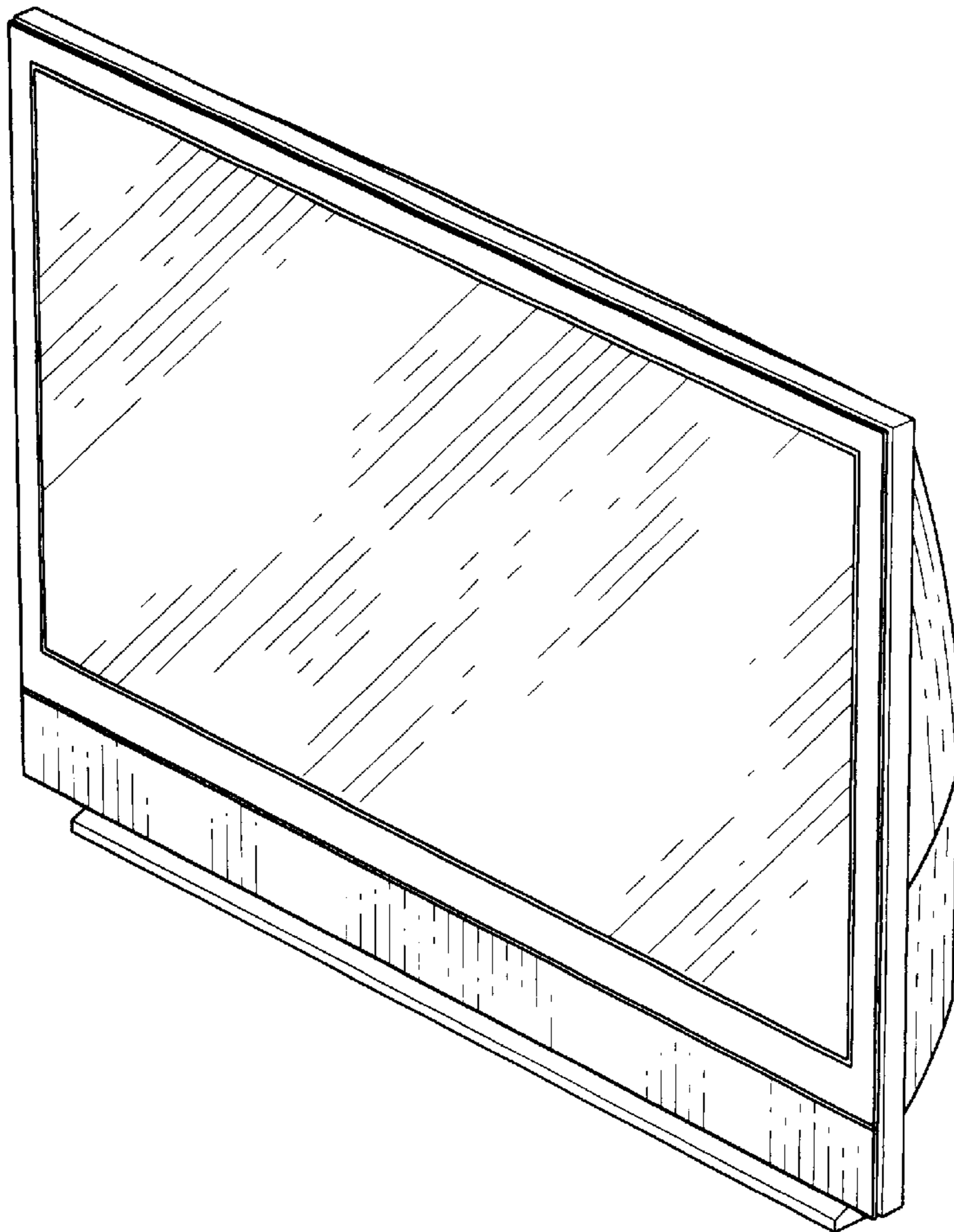


FIG. 1

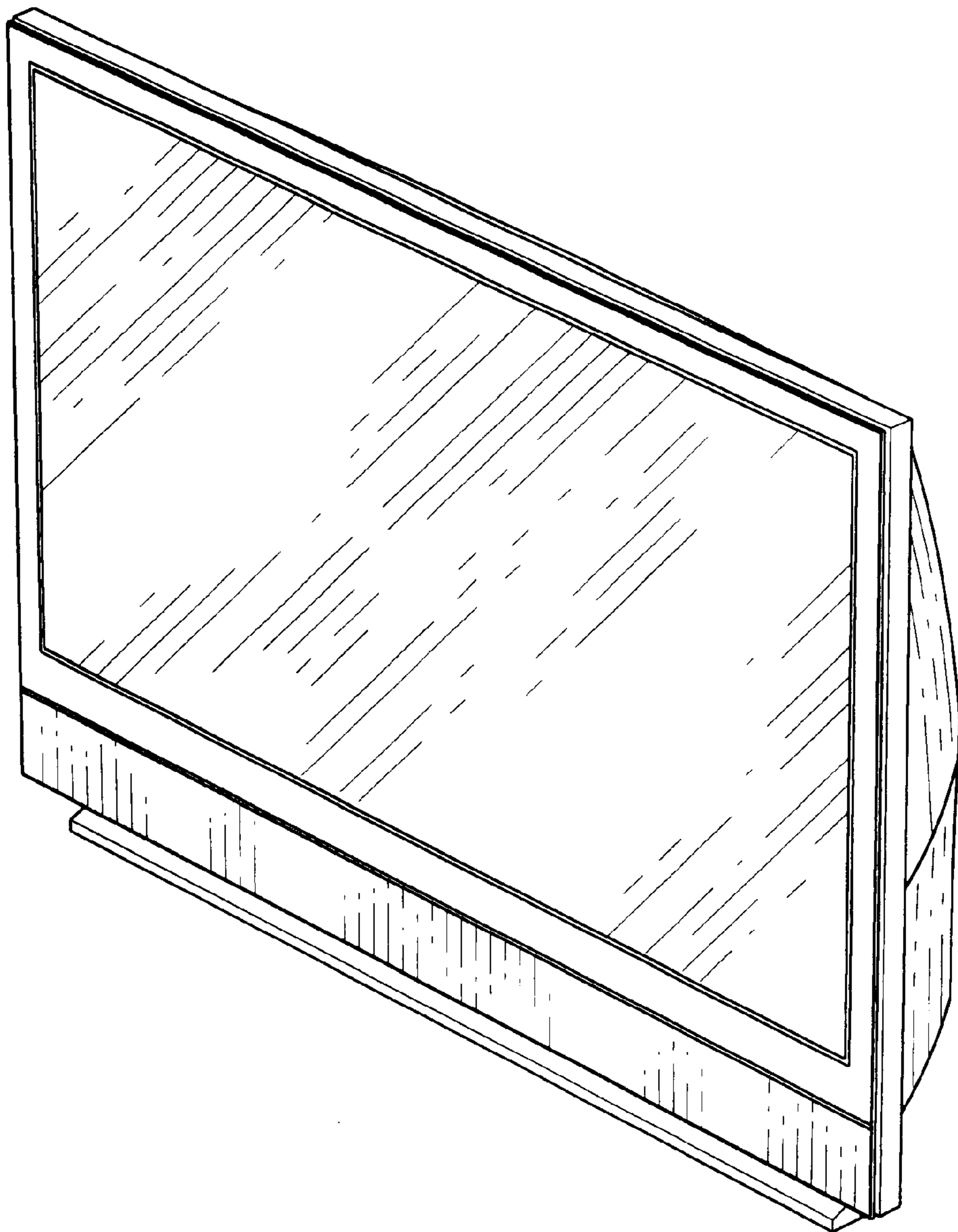


FIG. 2

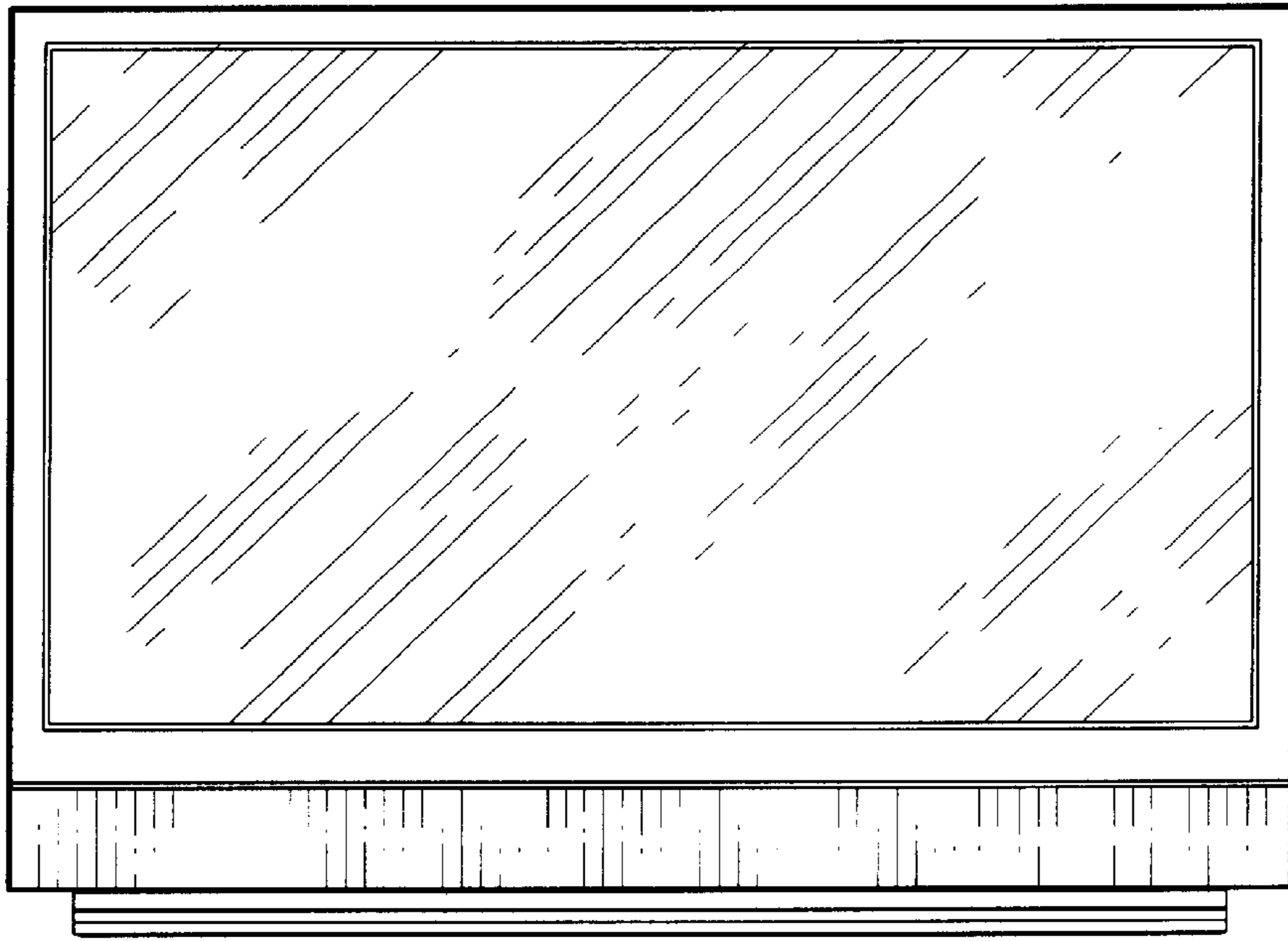


FIG. 3

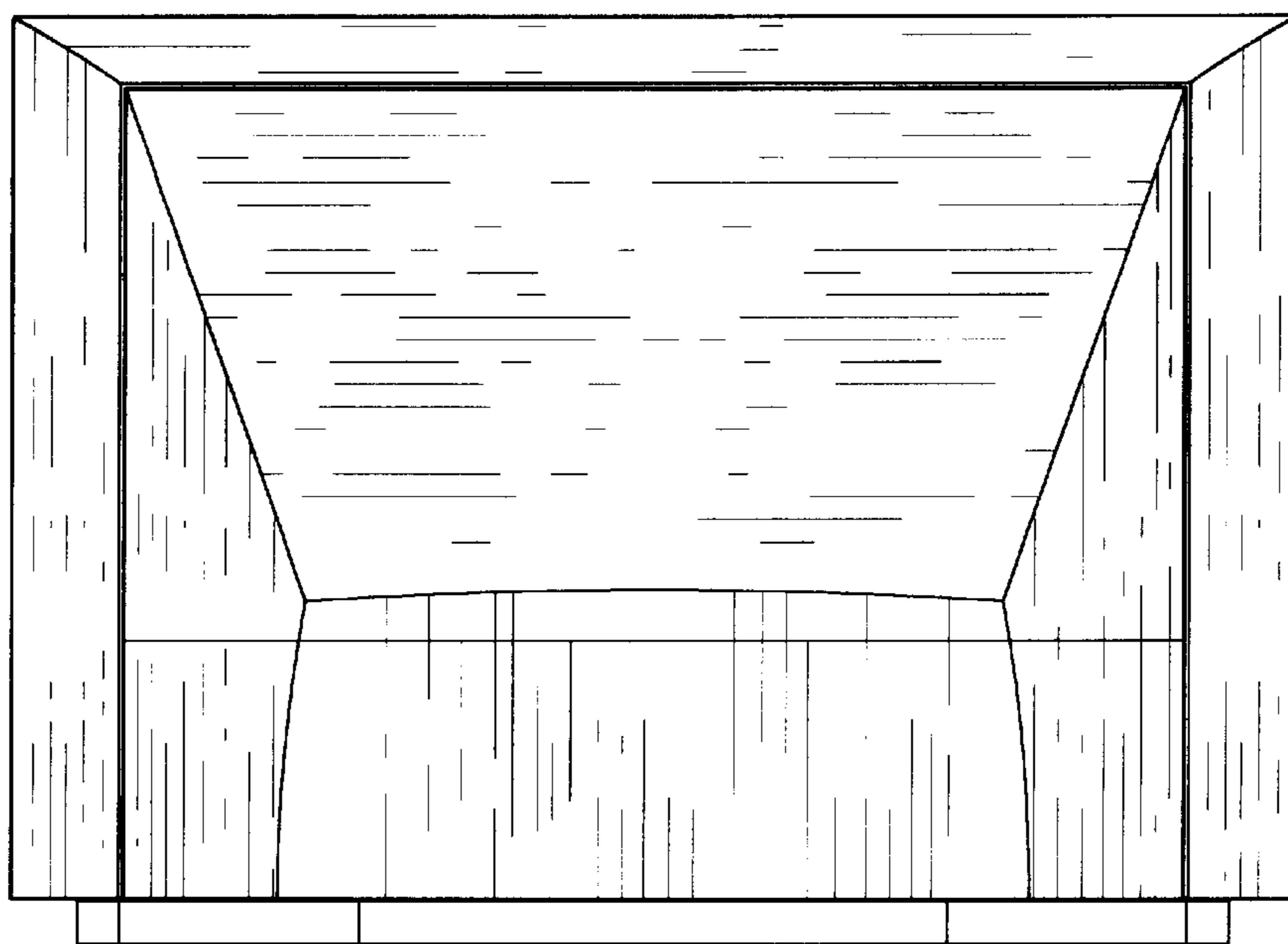


FIG. 4

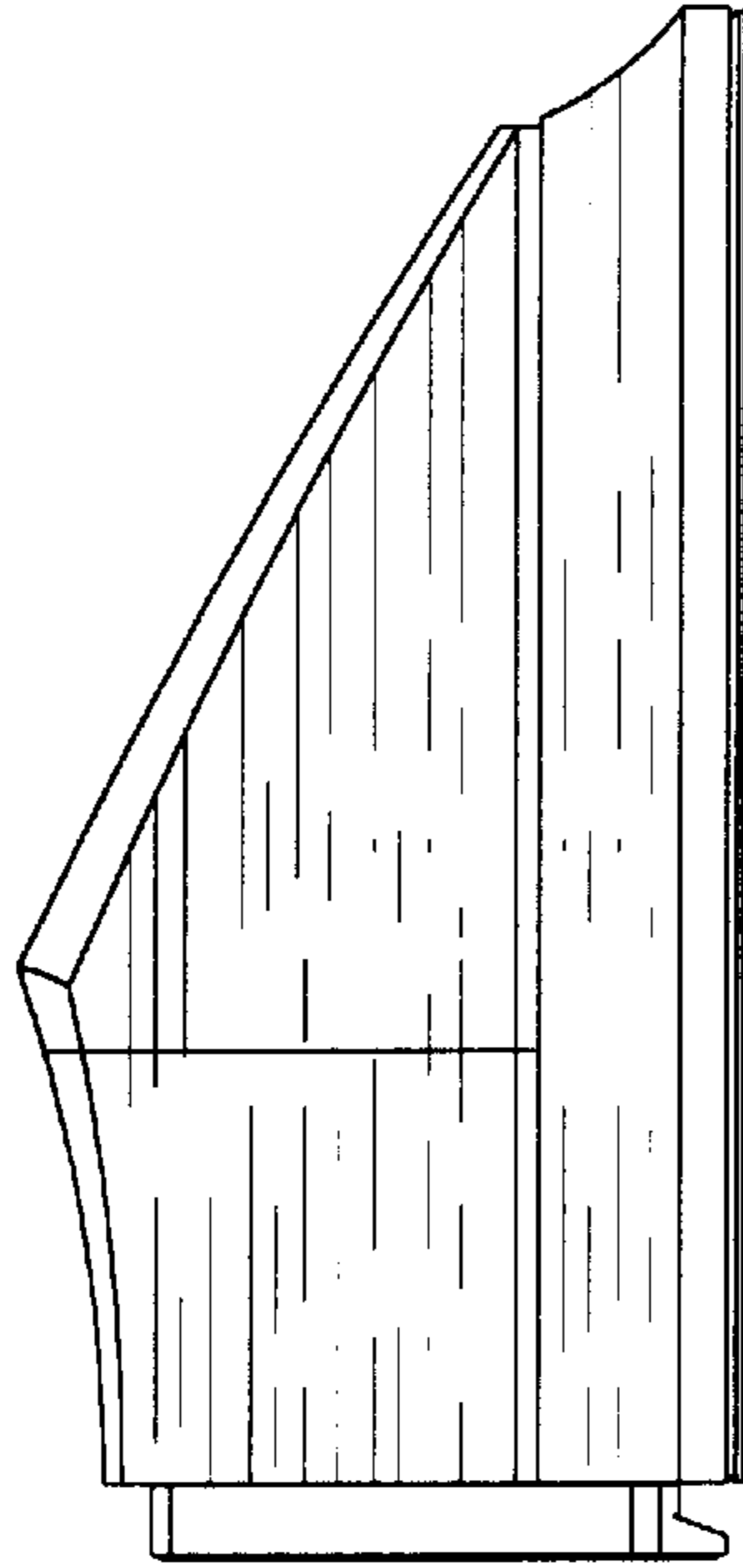


FIG. 5

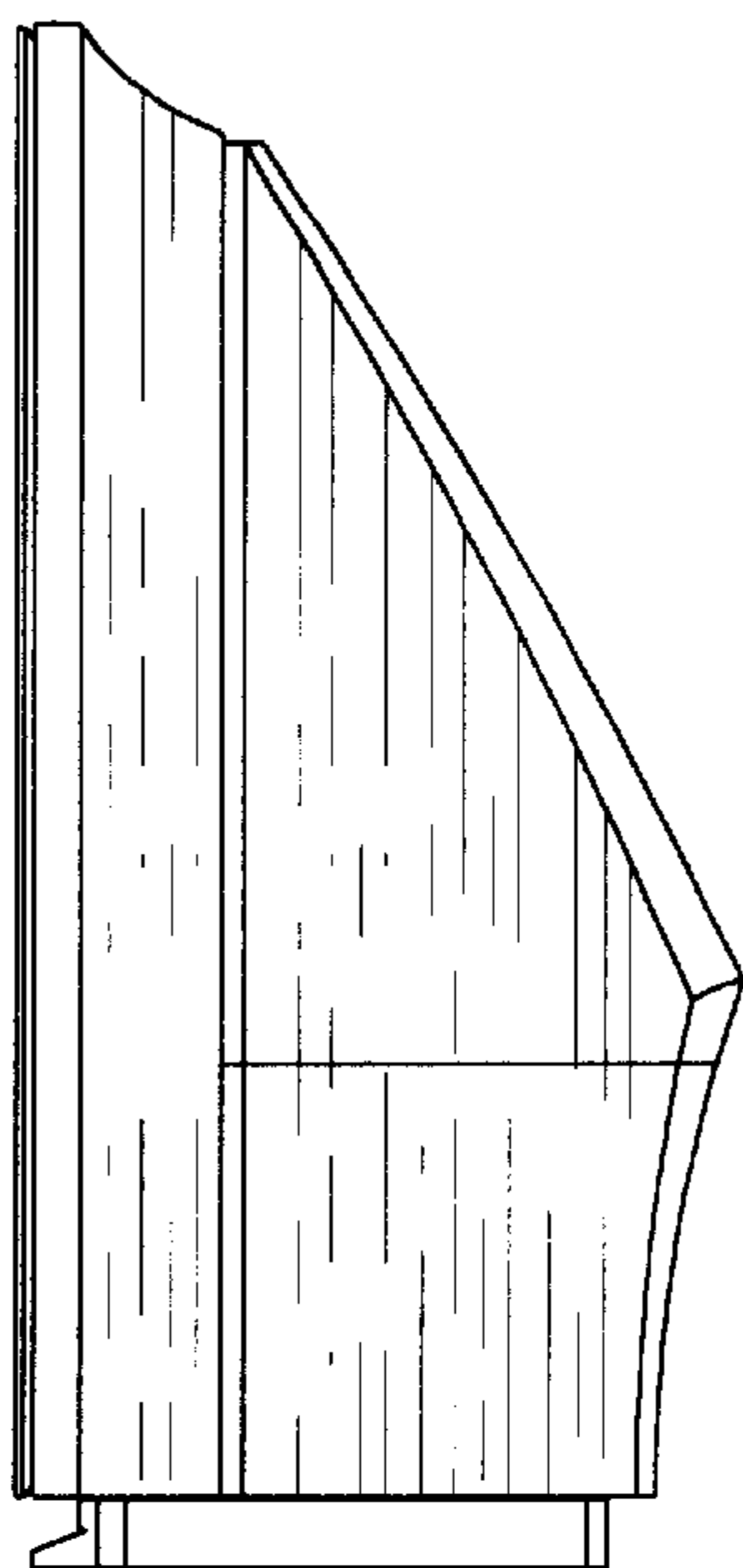


FIG. 6

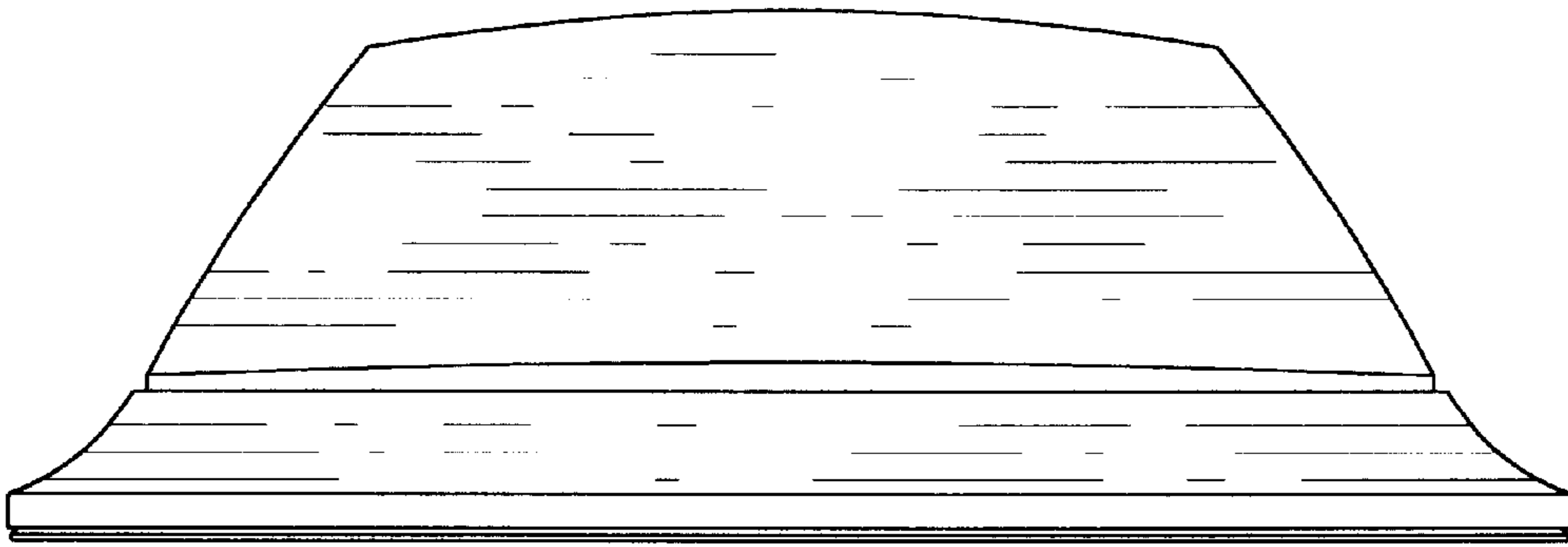


FIG. 7

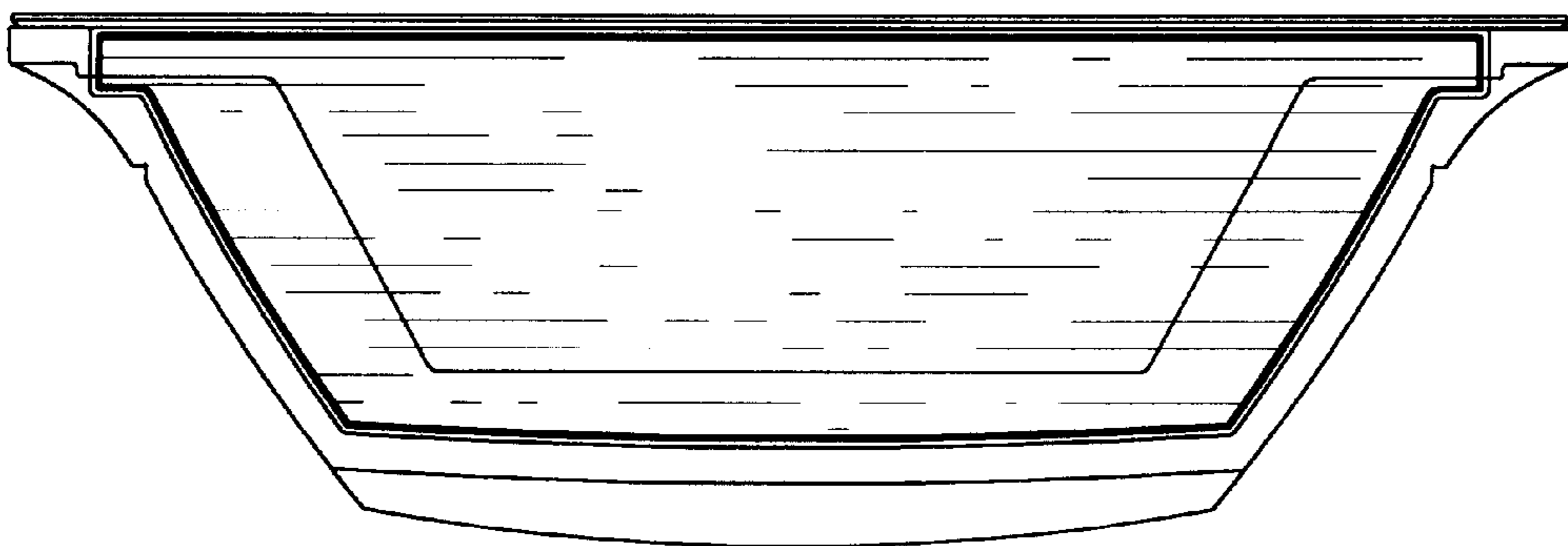


FIG. 8

