



US00D489040S

(12) **United States Design Patent**
Kumagai et al.

(10) **Patent No.:** **US D489,040 S**

(45) **Date of Patent:** **** Apr. 27, 2004**

(54) **HAND-OPERATED SWITCH**

(75) Inventors: **Tomoya Kumagai**, Kyoto (JP);
Tatsushi Yonezawa, Kyoto (JP);
Tatsuya Iida, Kyoto (JP)

(73) Assignee: **Omron Corporation**, Kyoto (JP)

(**) Term: **14 Years**

(21) Appl. No.: **29/164,475**

(22) Filed: **Jul. 26, 2002**

(30) **Foreign Application Priority Data**

Mar. 15, 2002 (JP) 2002-006903

(51) **LOC (7) Cl.** **13-03**

(52) **U.S. Cl.** **D13/171**

(58) **Field of Search** D13/158, 165,
D13/169, 171, 174; D14/416; D34/35; 74/471 XY,
491; 200/4, 6 A, 61.85; 318/580, 584; 348/734

(56) **References Cited**

U.S. PATENT DOCUMENTS

3,723,687	A	*	3/1973	Adkinson	200/6	A
4,191,866	A	*	3/1980	Nakajima et al.	200/4	
4,414,438	A	*	11/1983	Maier et al.	200/6	A
4,574,651	A	*	3/1986	Nordstrom	74/471	XY
4,584,510	A	*	4/1986	Hollow	318/584	
4,590,339	A	*	5/1986	Scott-Jackson et al.	200/6	A
5,389,752	A	*	2/1995	Karbassi	200/61.85	
5,585,608	A	*	12/1996	Kraemer	200/61.85	

6,038,937 A * 3/2000 Van Order et al. 74/473.1
6,211,474 B1 * 4/2001 Takahashi 200/18

* cited by examiner

Primary Examiner—Ted Shooman

Assistant Examiner—Selina Sikder

(74) *Attorney, Agent, or Firm*—Dickstein Shapiro Morin & Oshinsky LLP

(57) **CLAIM**

The ornamental design for a hand-operated switch, as shown and described.

DESCRIPTION

FIG. 1 is a front view showing our new design for a hand-operated switch;

FIG. 2 is a rear view of the hand-operated switch of FIG. 1;

FIG. 3 is a top view of the hand-operated switch of FIG. 1;

FIG. 4 is a bottom view of the hand-operated switch of FIG. 1;

FIG. 5 is a right side view of the hand-operated switch of FIG. 1;

FIG. 6 is a left side view of the hand-operated switch of FIG. 1;

FIG. 7 is a first perspective view of the hand-operated switch of FIG. 1; and,

FIG. 8 is a second perspective view of the hand-operated switch of FIG. 1 in use.

The broken line showing of the environment is for illustrative purpose only and forms no part of the claimed design.

1 Claim, 4 Drawing Sheets

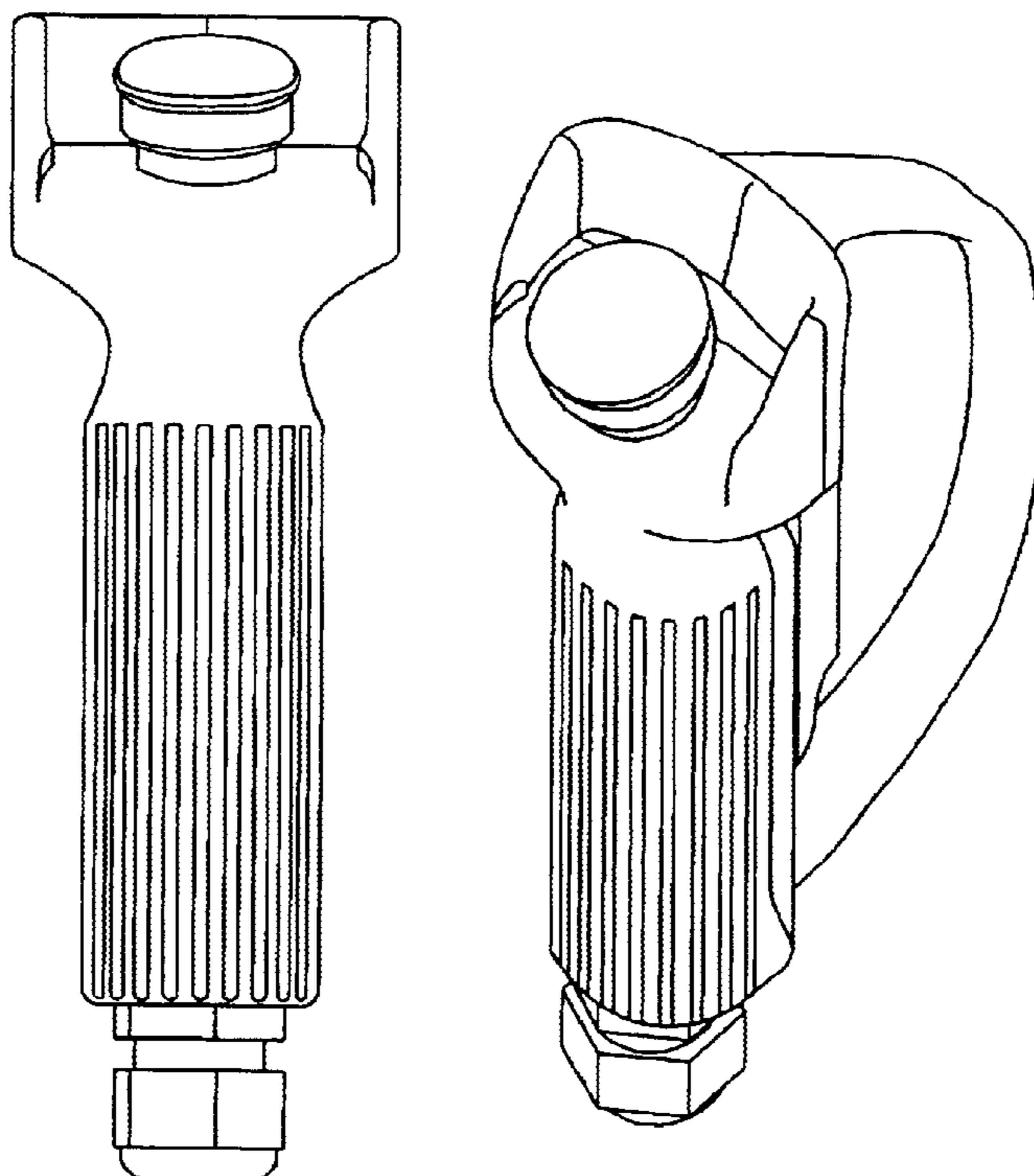


FIG. 1

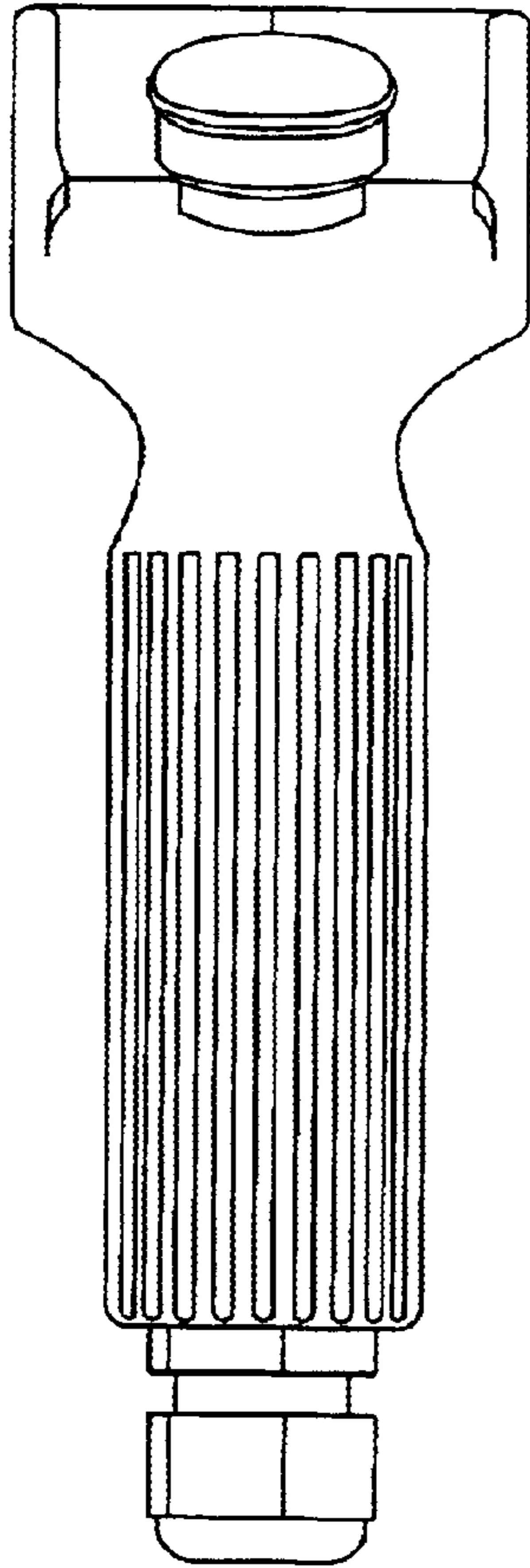


FIG. 2

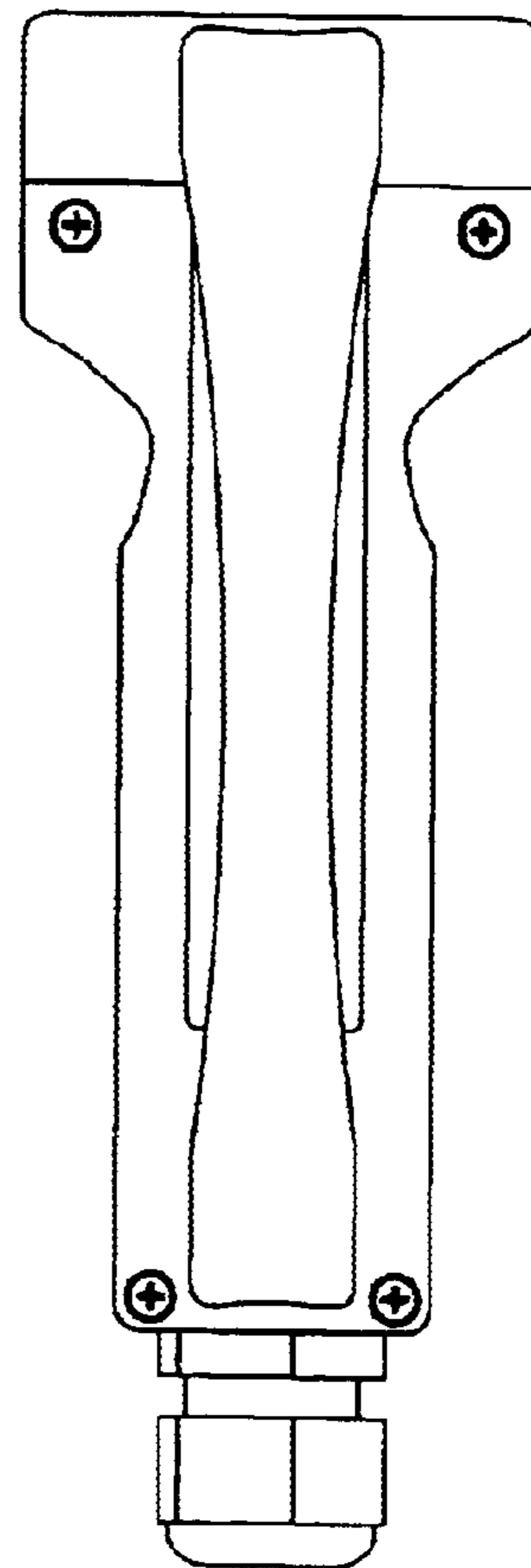


FIG. 3

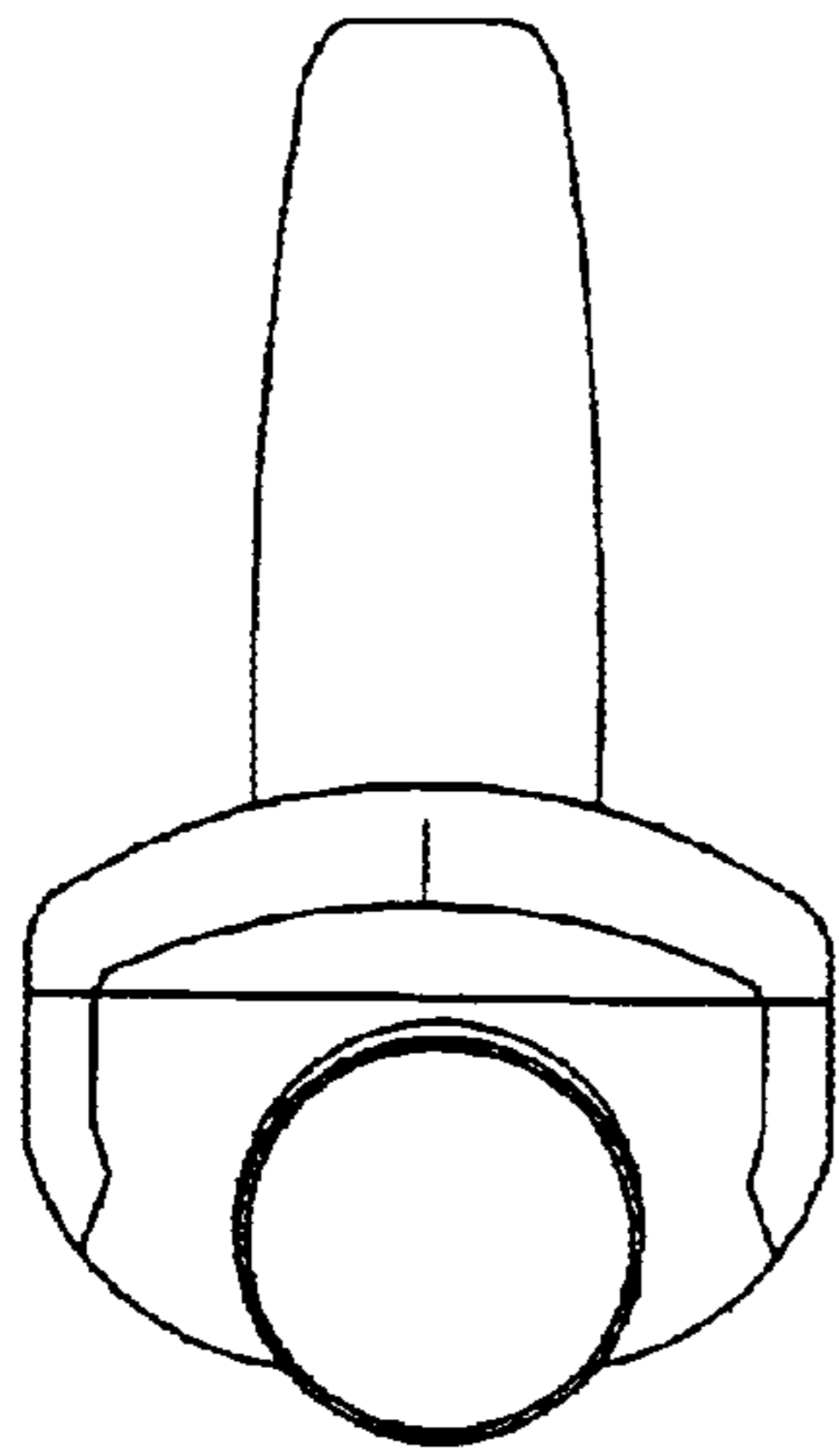


FIG. 4

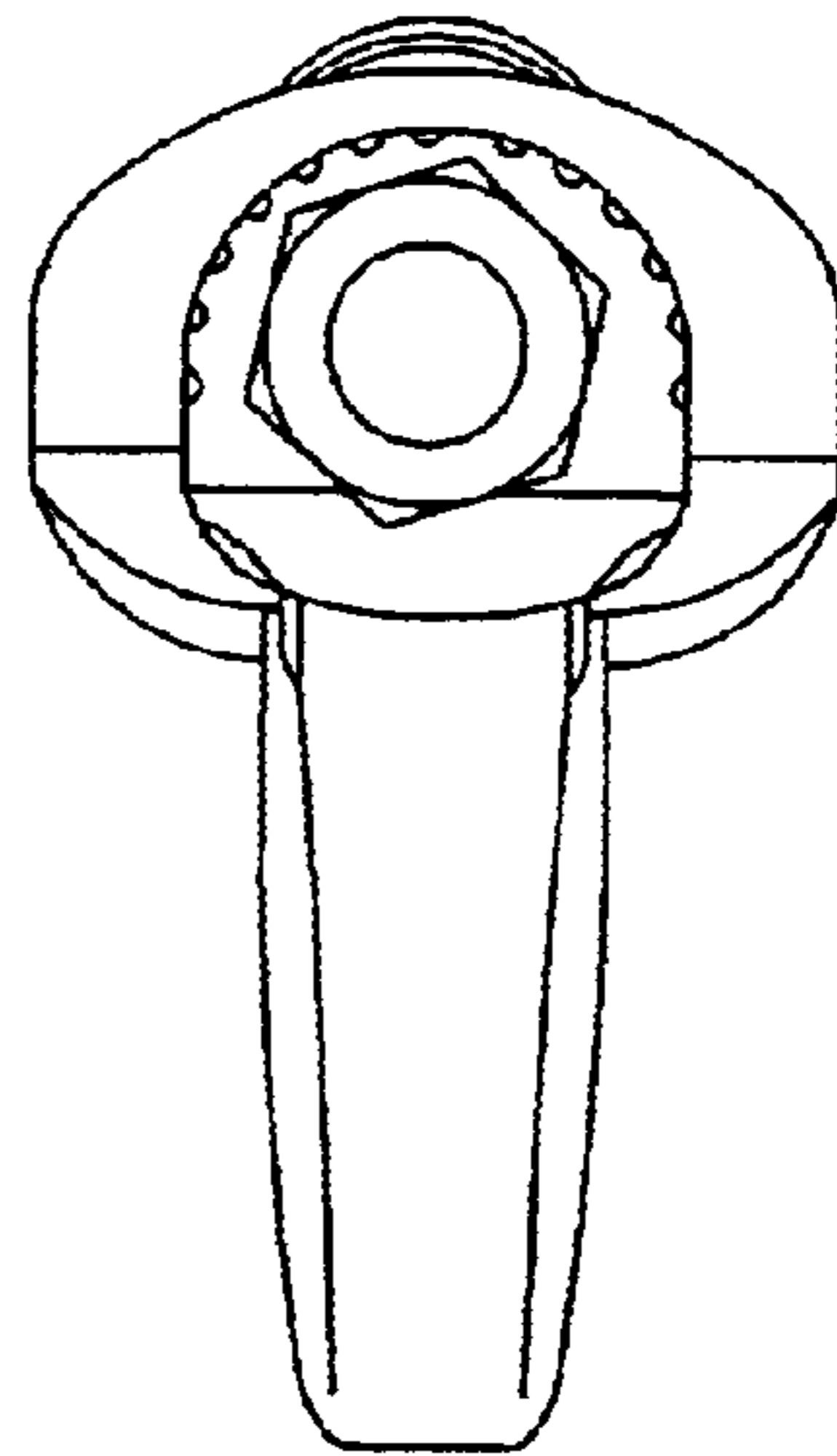


FIG. 5

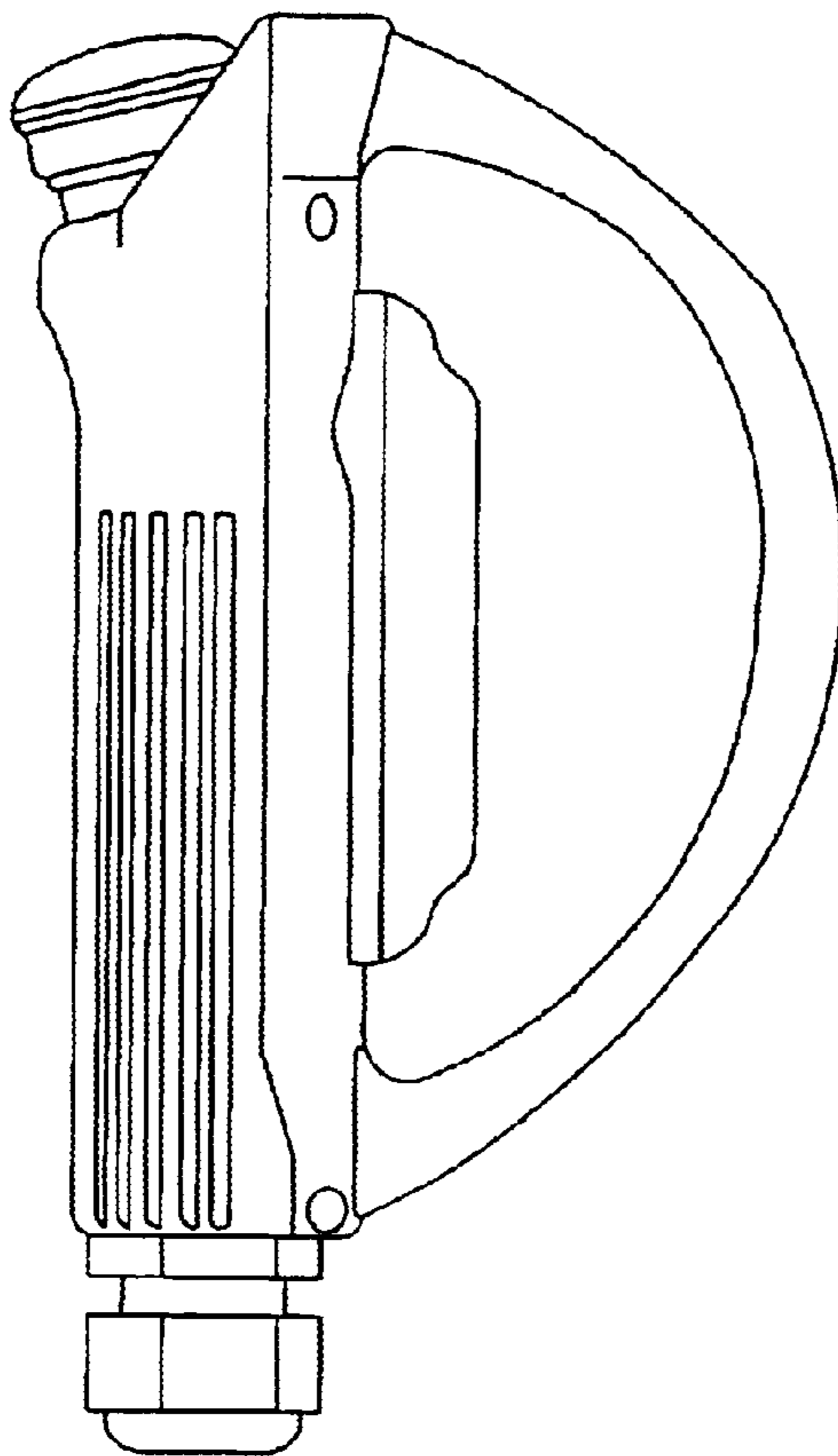


FIG. 6

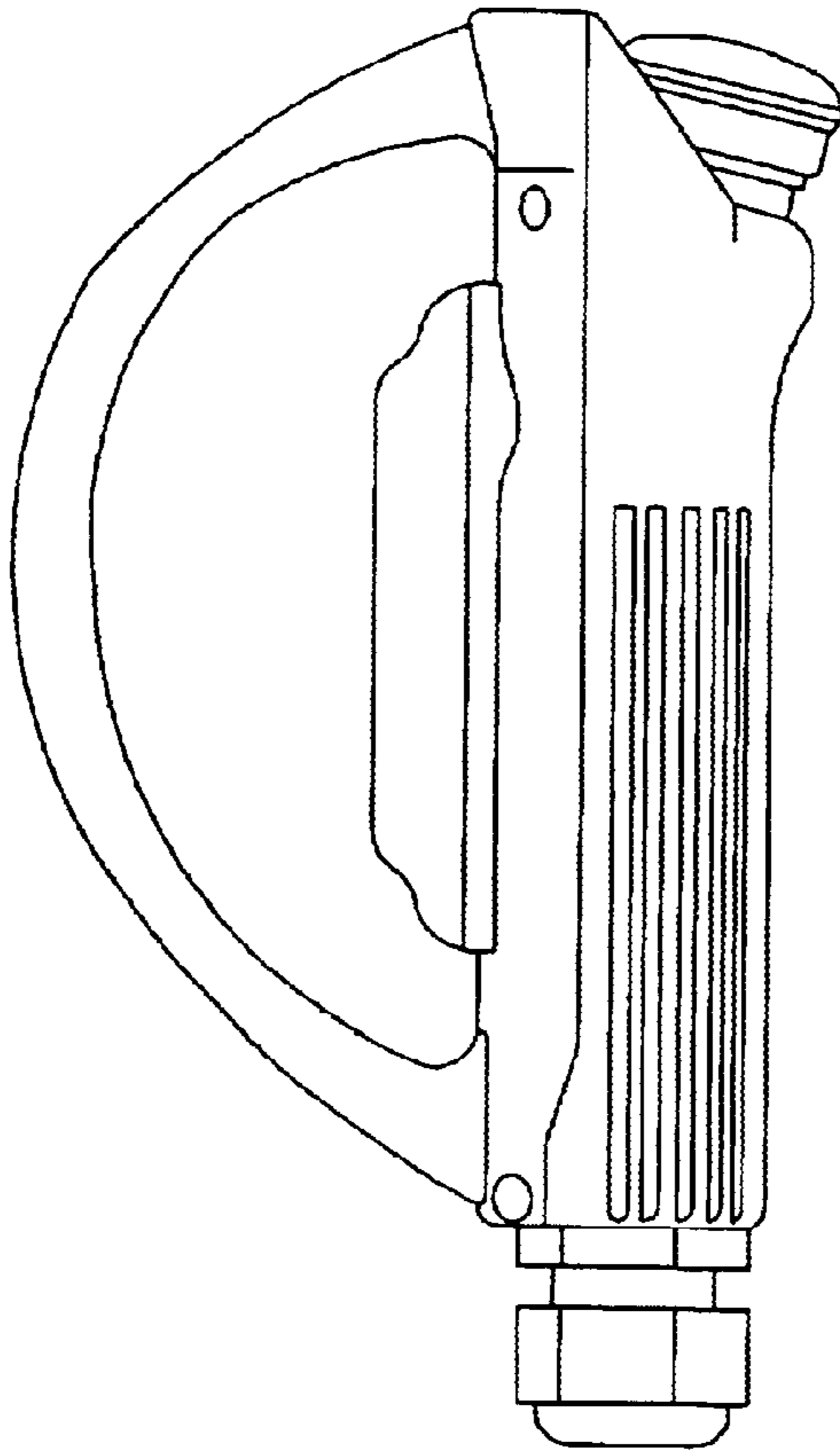


FIG. 7

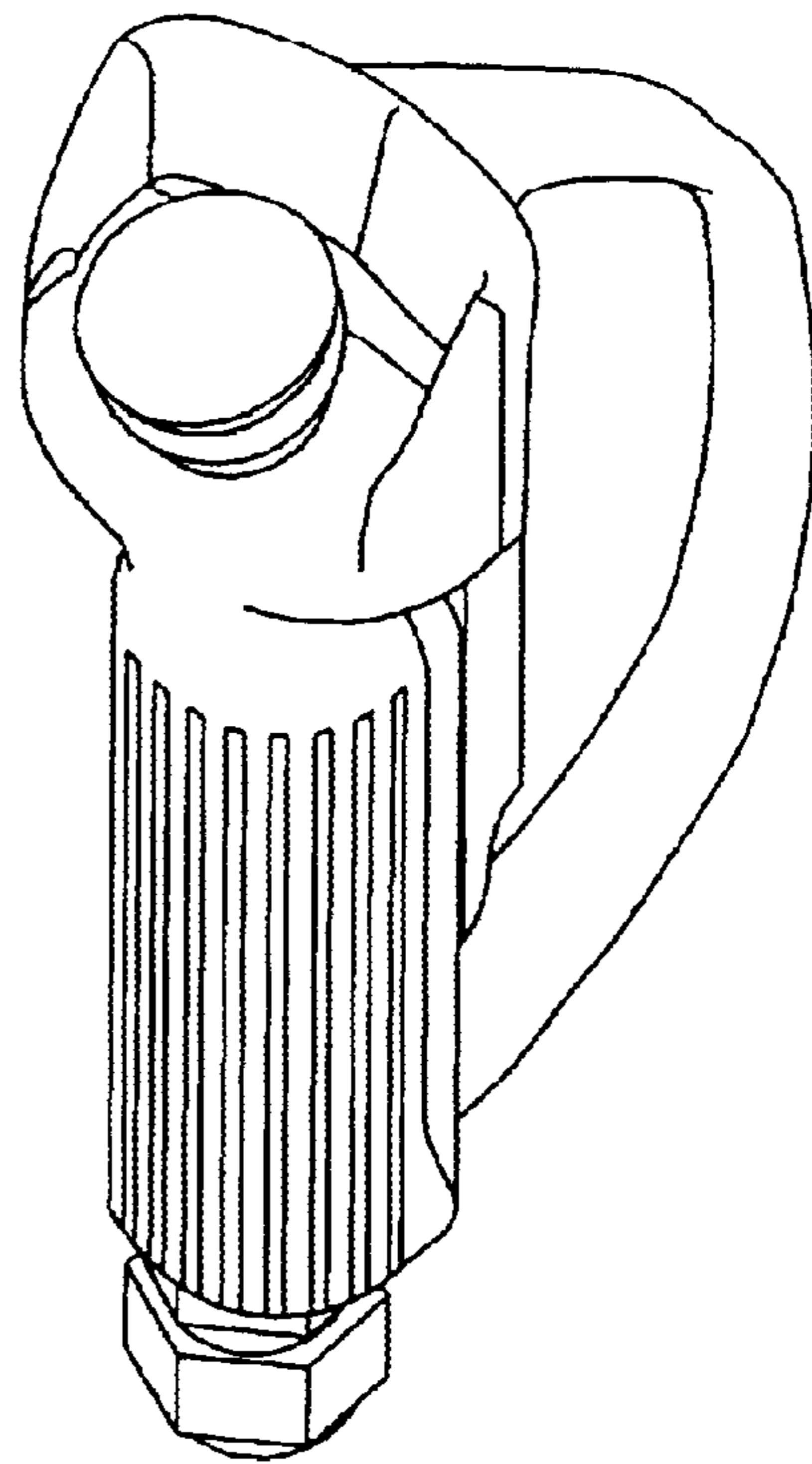


FIG. 8

