



US00D489039S

(12) **United States Design Patent**  
**Kawase et al.**

(10) **Patent No.:** **US D489,039 S**

(45) **Date of Patent:** **\*\* Apr. 27, 2004**

(54) **ELECTRICAL CONNECTOR**

(75) Inventors: **Koji Kawase**, Hachioji (JP); **Toshiyuki Moritake**, Tachikawa (JP)

(73) Assignee: **Japan Aviation Electronics Industry, Limited**, Tokyo (JP)

(\*\*) Term: **14 Years**

(21) Appl. No.: **29/177,373**

(22) Filed: **Mar. 7, 2003**

(30) **Foreign Application Priority Data**

Sep. 9, 2002 (JP) ..... 2002-028262

(51) **LOC (7) Cl.** ..... **13-03**

(52) **U.S. Cl.** ..... **D13/147**

(58) **Field of Search** ..... D13/147; 439/74,  
439/79, 83, 108, 181, 495, 637, 638, 910

(56) **References Cited**

**U.S. PATENT DOCUMENTS**

- D431,531 S \* 10/2000 Chih ..... D13/147
- 6,149,468 A \* 11/2000 Meng ..... 439/637
- D436,577 S \* 1/2001 Azuma et al. .... D13/147
- 6,290,515 B1 \* 9/2001 Lee ..... 439/108
- 6,345,992 B1 \* 2/2002 Cheong et al. .... 439/83

- D455,127 S \* 4/2002 Wu ..... D13/147
- D466,481 S \* 12/2002 Wu ..... D13/147
- D468,268 S \* 1/2003 Zhong ..... D13/147
- D471,522 S \* 3/2003 Azuma ..... D13/147
- D472,218 S \* 3/2003 Shao ..... D13/147

\* cited by examiner

*Primary Examiner*—Philip S. Hyder

*Assistant Examiner*—Selina Sikder

(74) *Attorney, Agent, or Firm*—Michael Best & Friedrich LLP

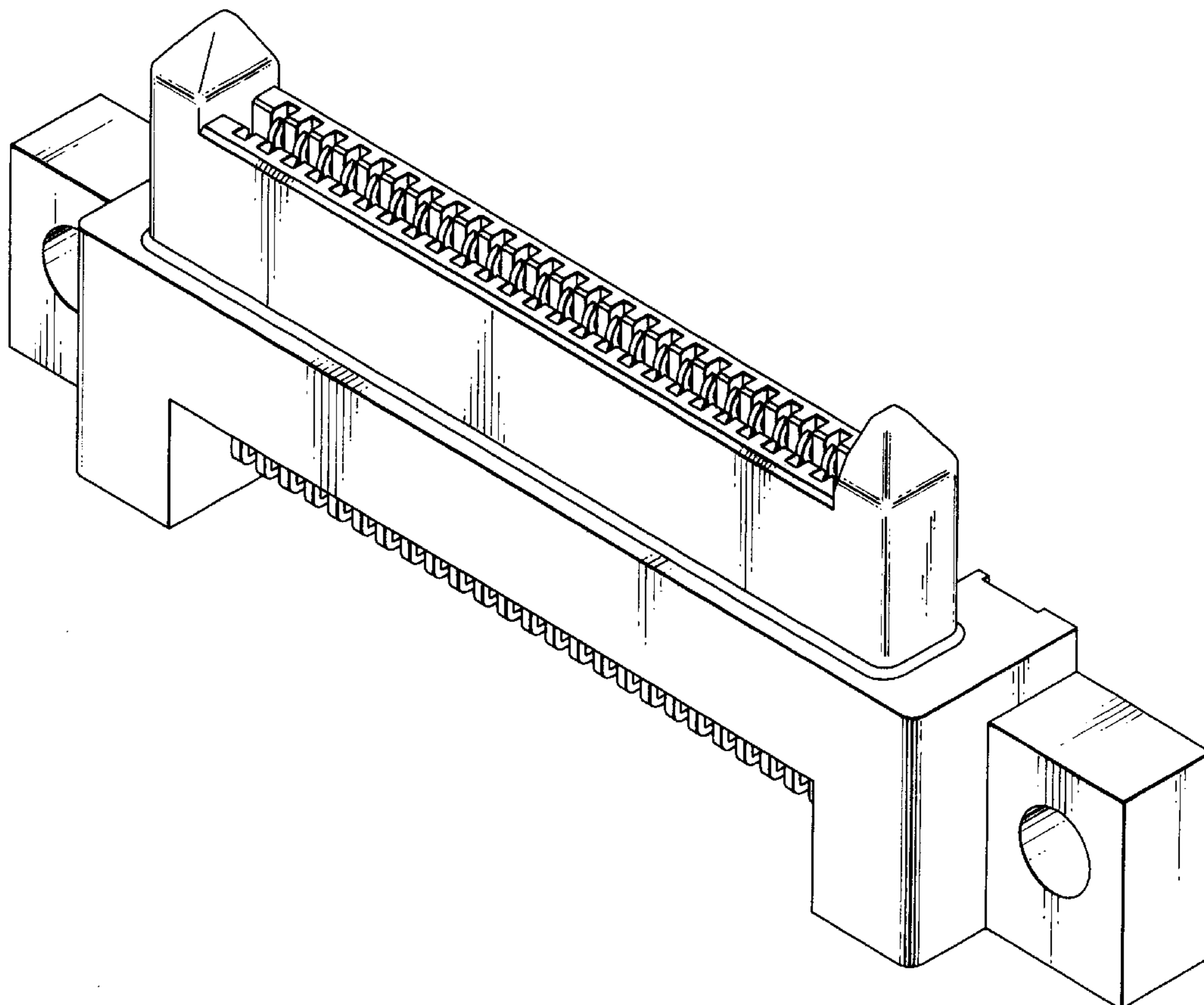
(57) **CLAIM**

The ornamental design for an electrical connector, as shown and described.

**DESCRIPTION**

FIG. 1 is a front, top, and right side perspective view of an electrical connector;  
 FIG. 2 is a top plan view thereof;  
 FIG. 3 is a front elevational view thereof;  
 FIG. 4 is a left side elevational view thereof;  
 FIG. 5 is a right side elevational view thereof;  
 FIG. 6 is a bottom plan view thereof;  
 FIG. 7 is a rear elevational view thereof; and,  
 FIG. 8 is a cross-sectional view thereof along a line 8—8 of FIG. 3.

**1 Claim, 7 Drawing Sheets**



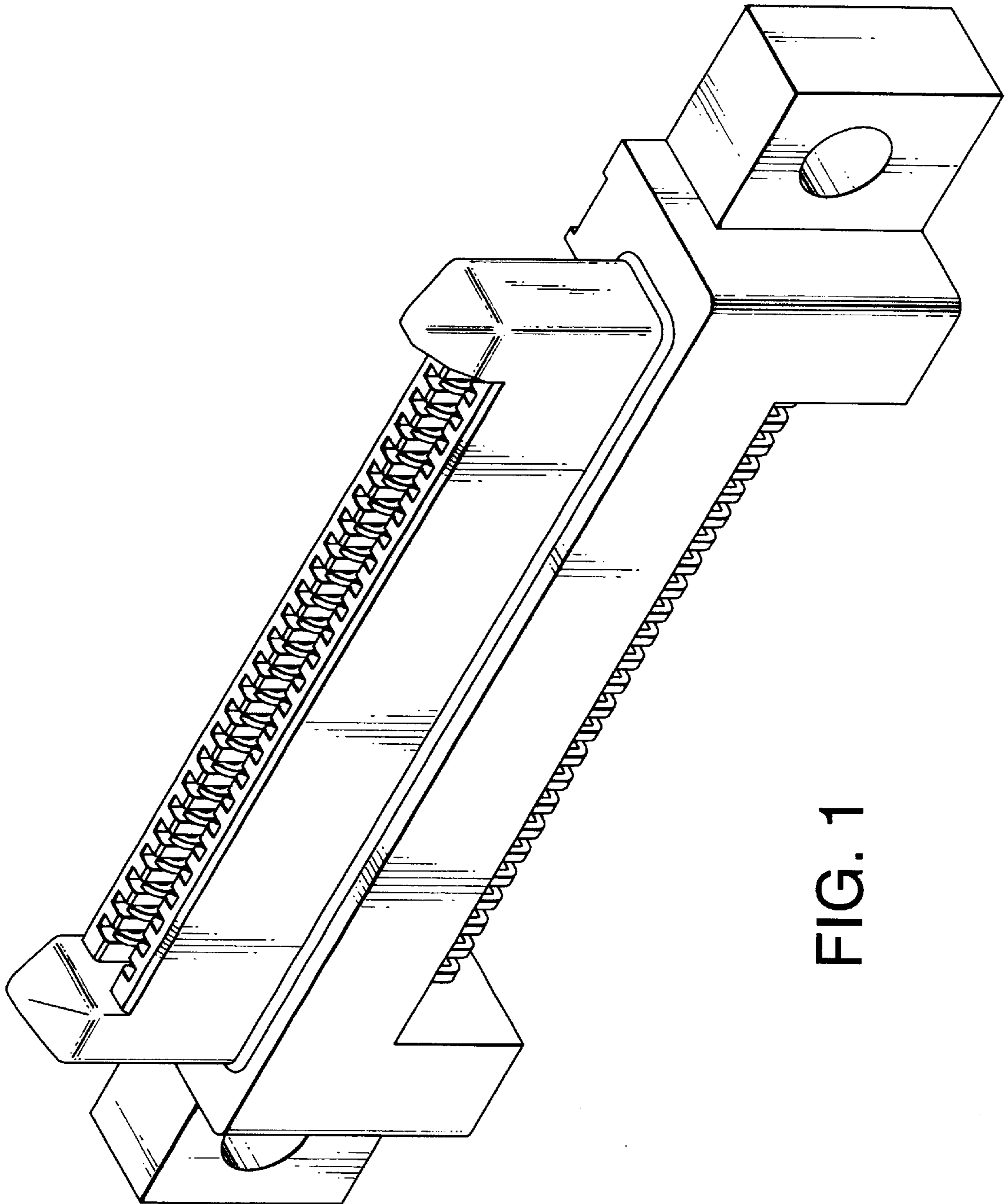


FIG. 1

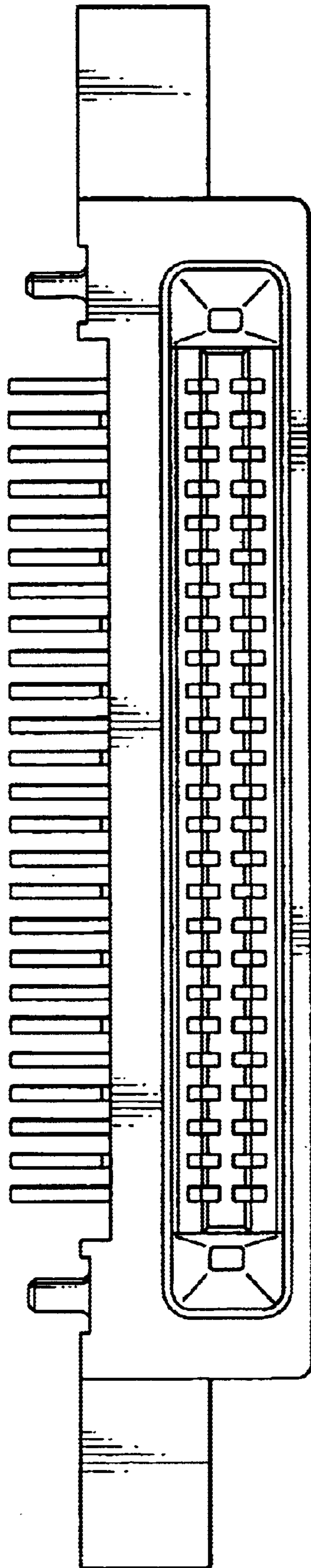


FIG. 2

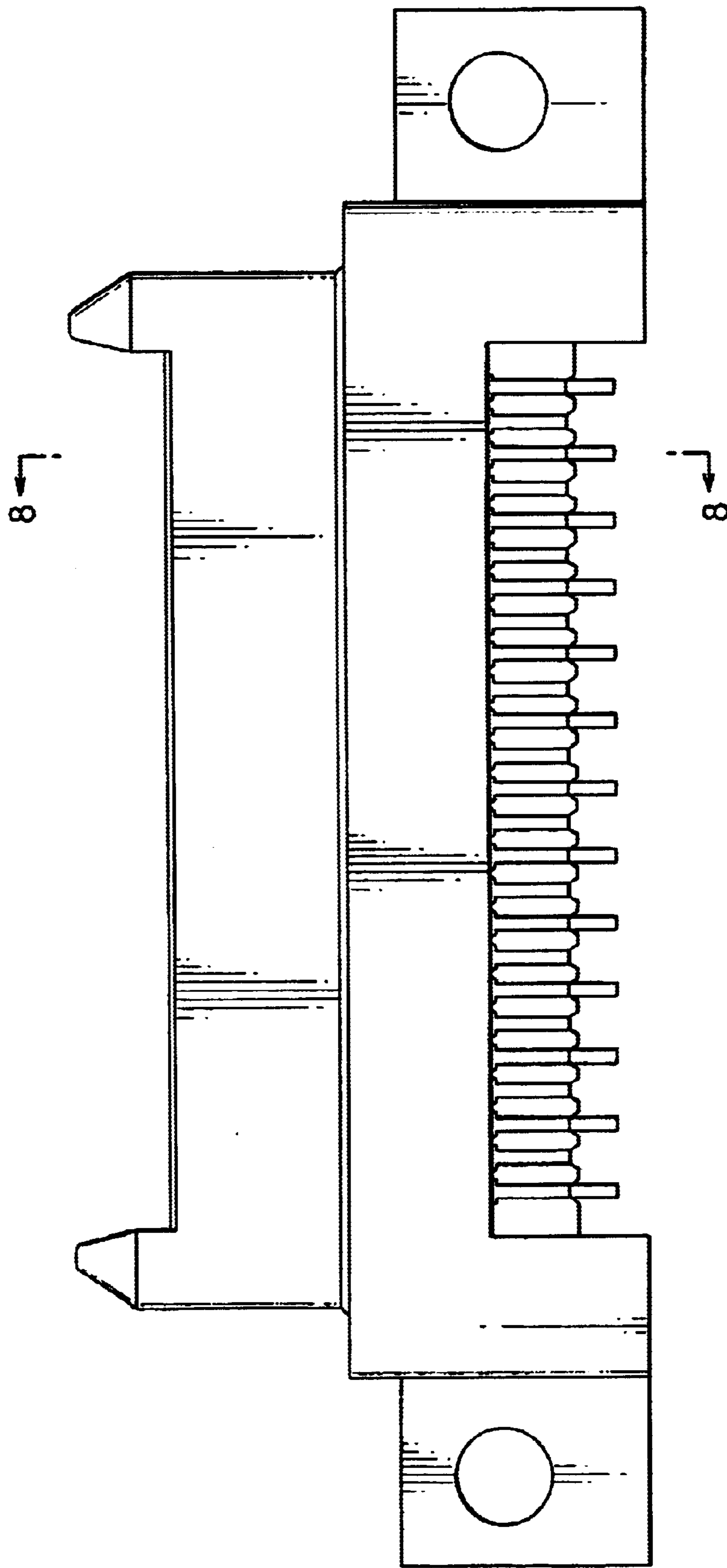


FIG. 3

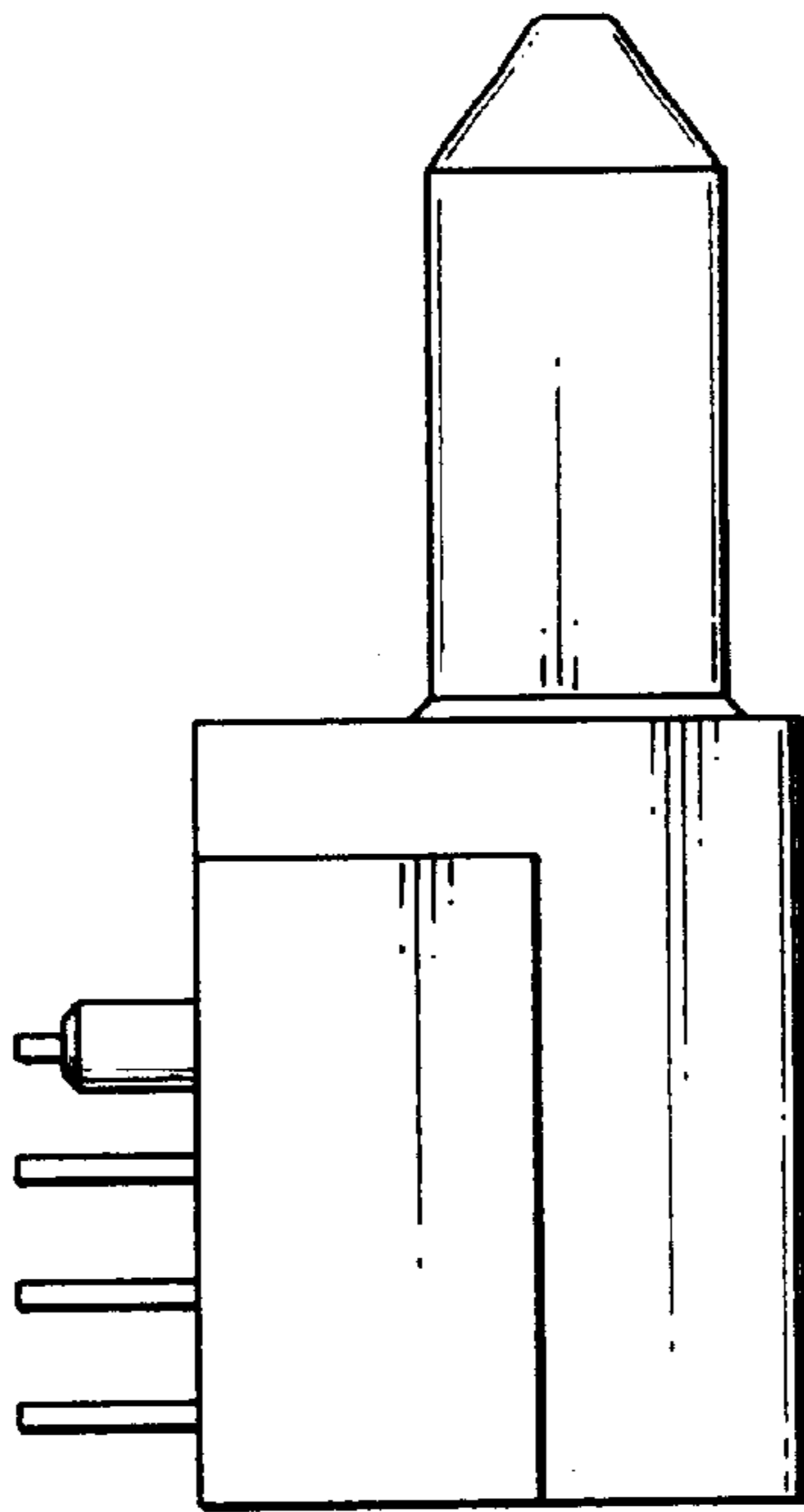


FIG. 4

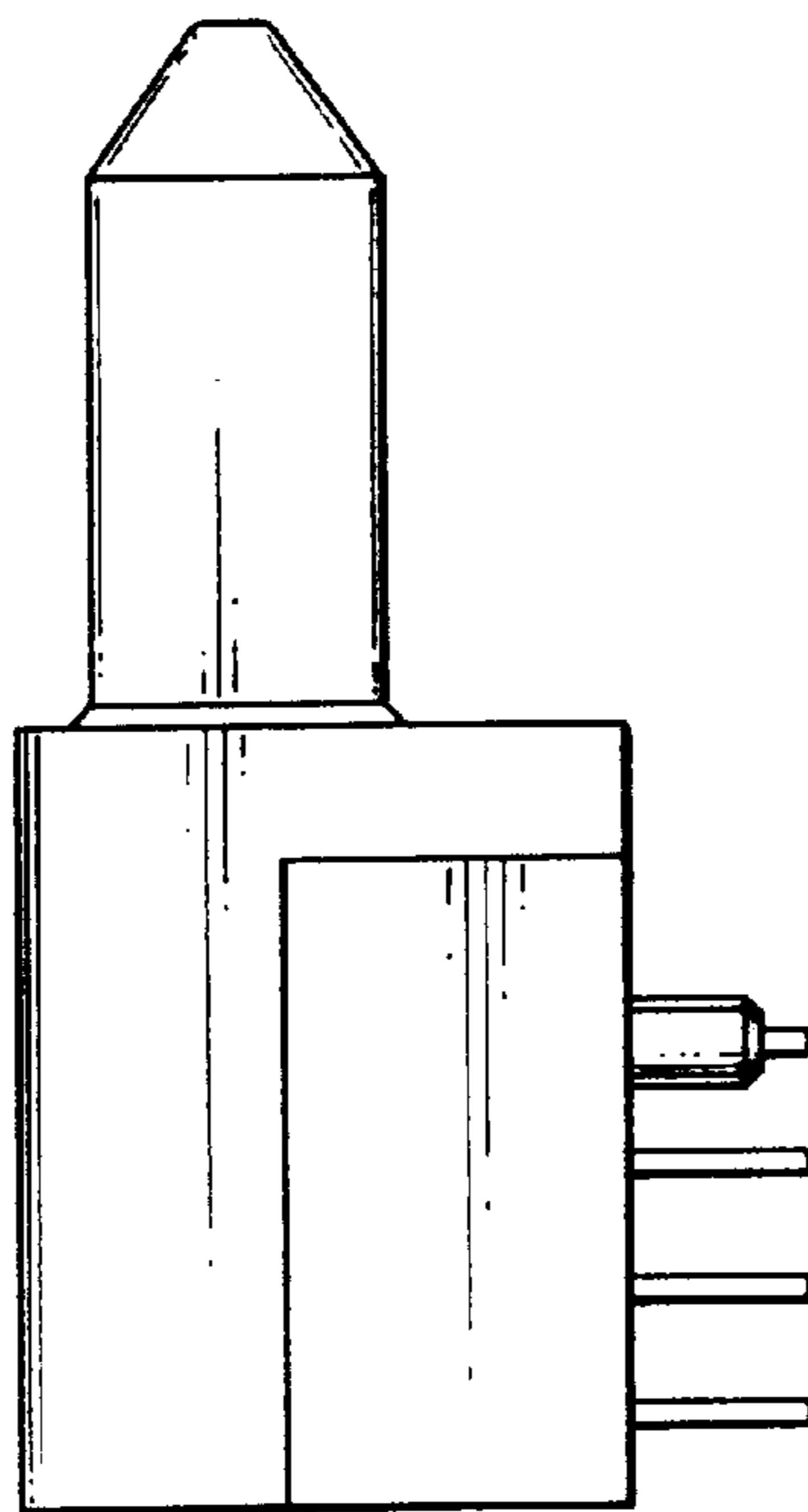


FIG. 5

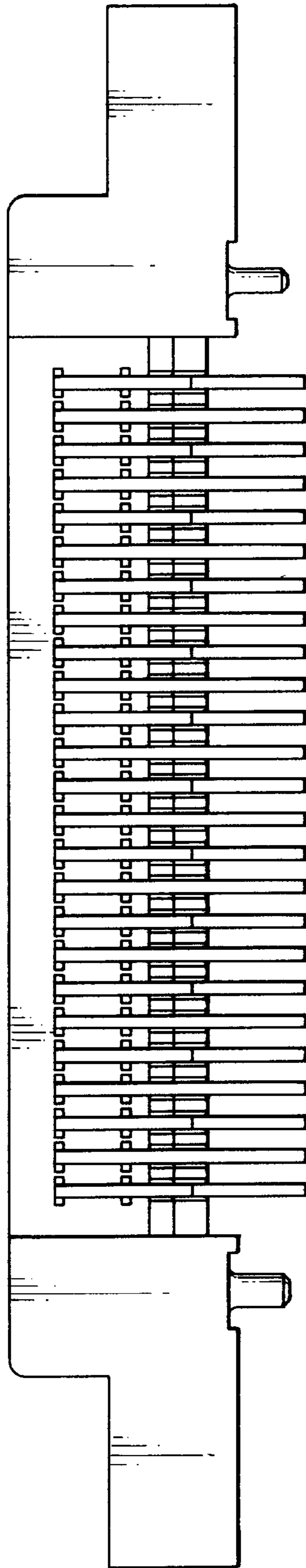


FIG. 6

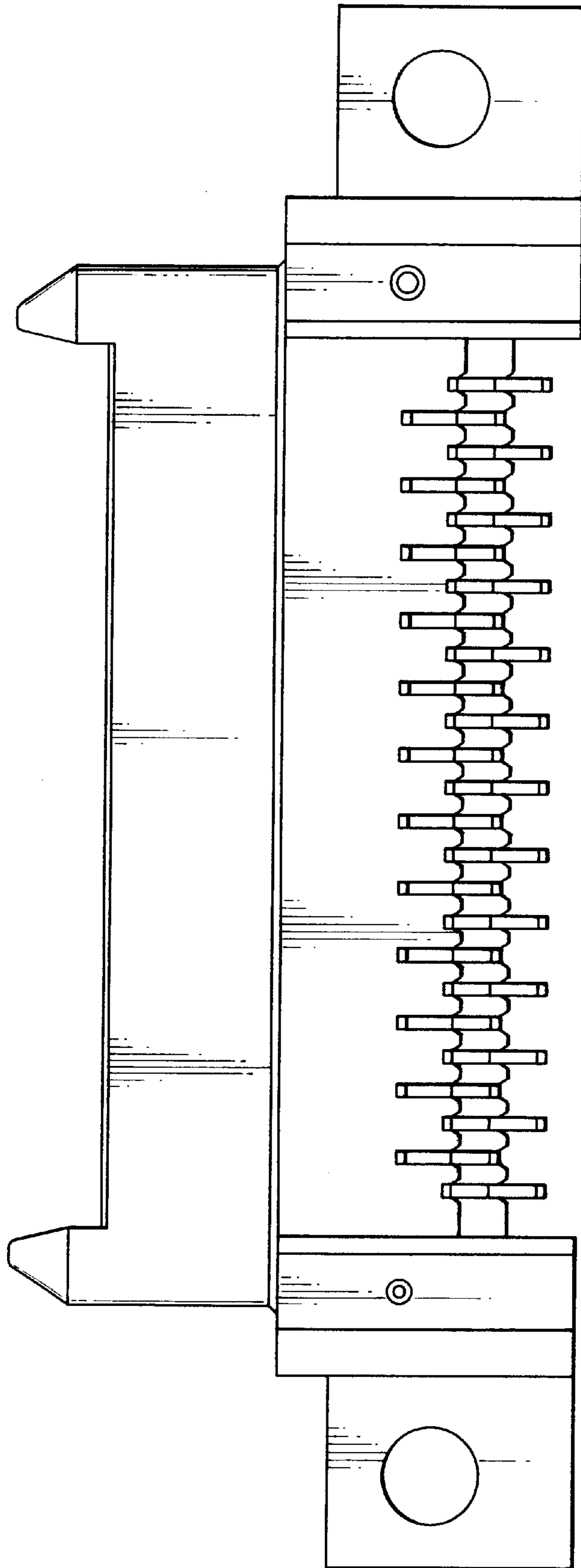


FIG. 7

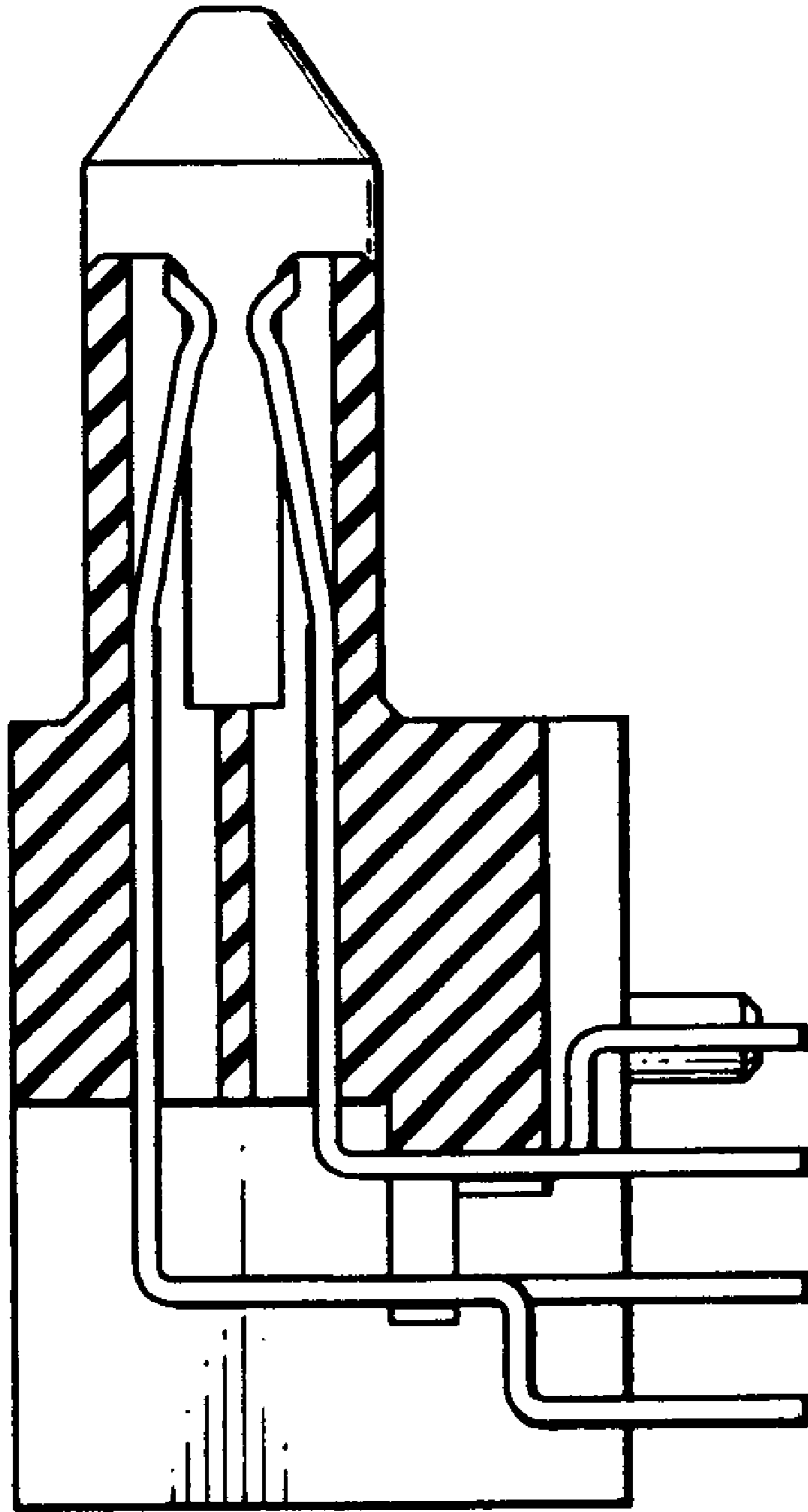


FIG. 8