



US00D489034S

(12) **United States Design Patent**
Kirkland, III

(10) **Patent No.:** **US D489,034 S**

(45) **Date of Patent:** **** Apr. 27, 2004**

(54) **BOAT HULL WITH SPLASH GUARD**

(57) **CLAIM**

(76) Inventor: **Joseph I. Kirkland, III**, 122 Glenwood Dr., Blackshear, GA (US) 31516

I claim the ornamental design for a boat hull with splash guard, as shown and described.

(**) Term: **14 Years**

DESCRIPTION

(21) Appl. No.: **29/181,319**

FIG. 1 is a front perspective view of a boat hull with splash guard showing my new design according to my invention;

(22) Filed: **May 9, 2003**

FIG. 2 is a top plan view thereof;

(51) **LOC (7) Cl.** **12-06**

FIG. 3 is a bottom plan view thereof;

(52) **U.S. Cl.** **D12/300**

FIG. 4 is a right side elevational view thereof, the left side elevational view being the mirror image thereof;

(58) **Field of Search** **D12/300-302,**
D12/310, 311, 314; 114/56, 355, 357, 344,
343, 288

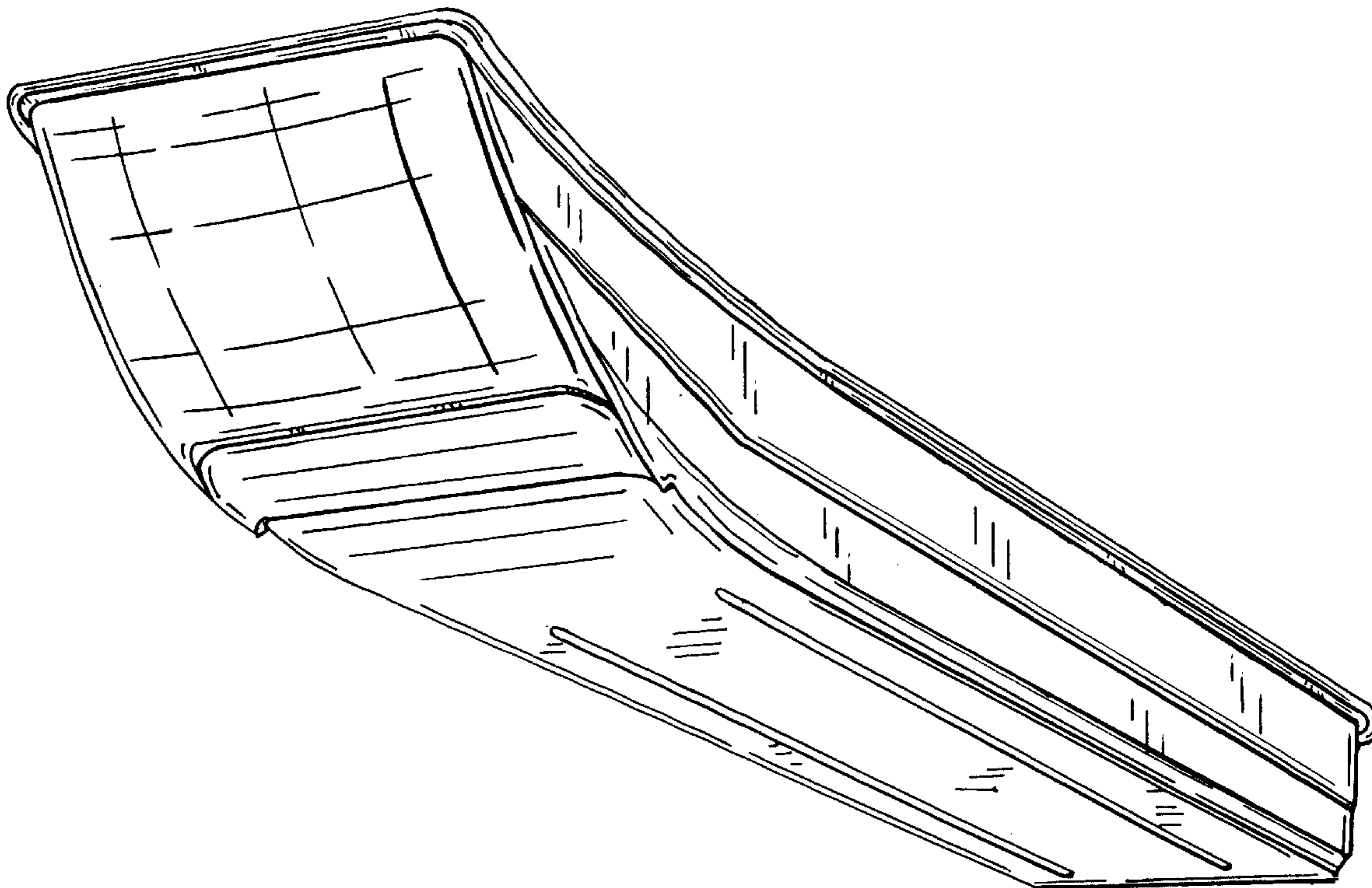
FIG. 5 is a rear elevational view thereof; and,

FIG. 6 is a front elevational view thereof.

Primary Examiner—Lisa Lichtenstein

(74) *Attorney, Agent, or Firm*—Arthur G. Yeager

1 Claim, 3 Drawing Sheets



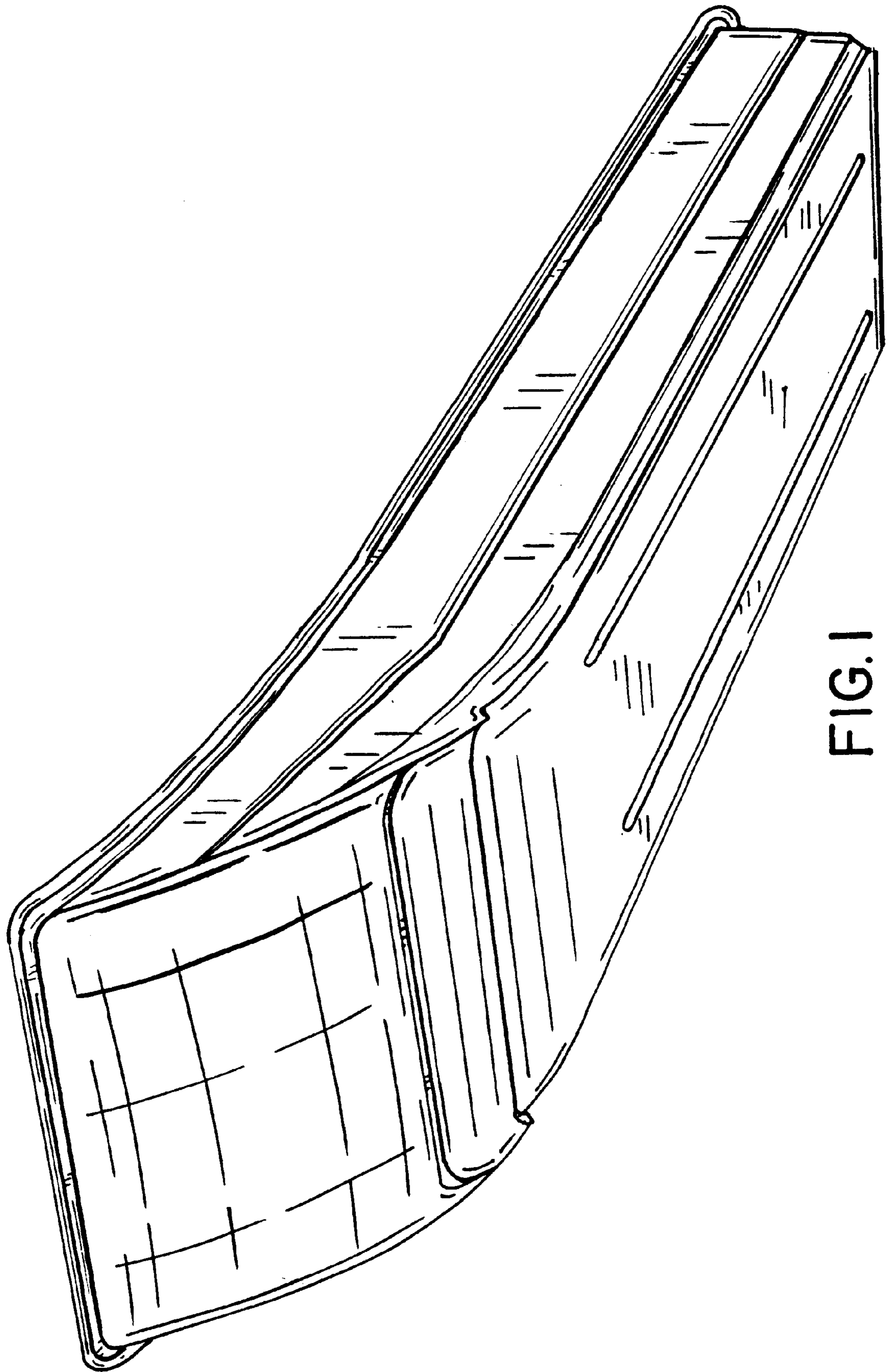


FIG. 1

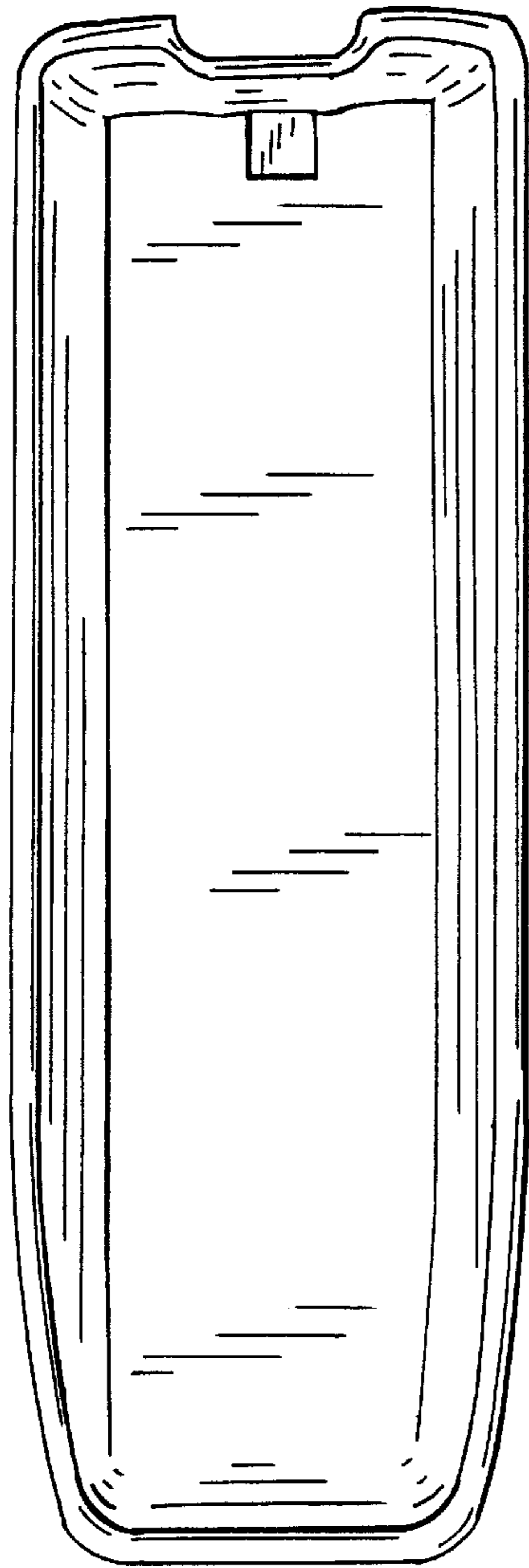


FIG. 2

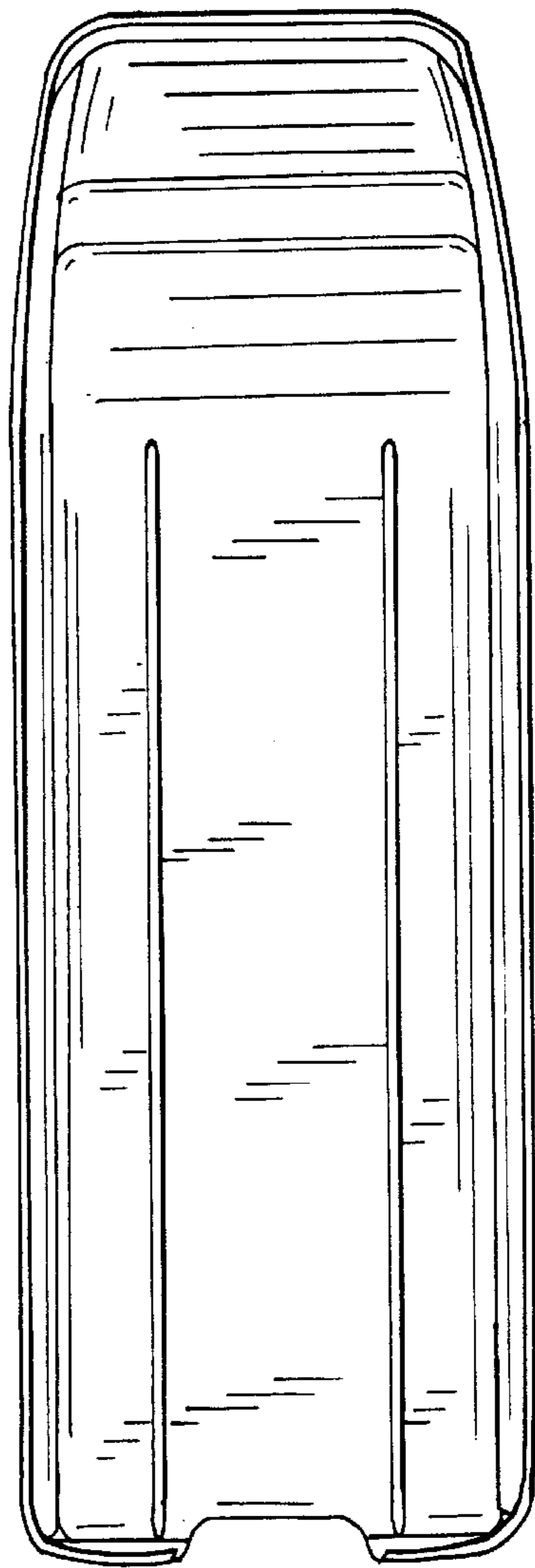


FIG. 3

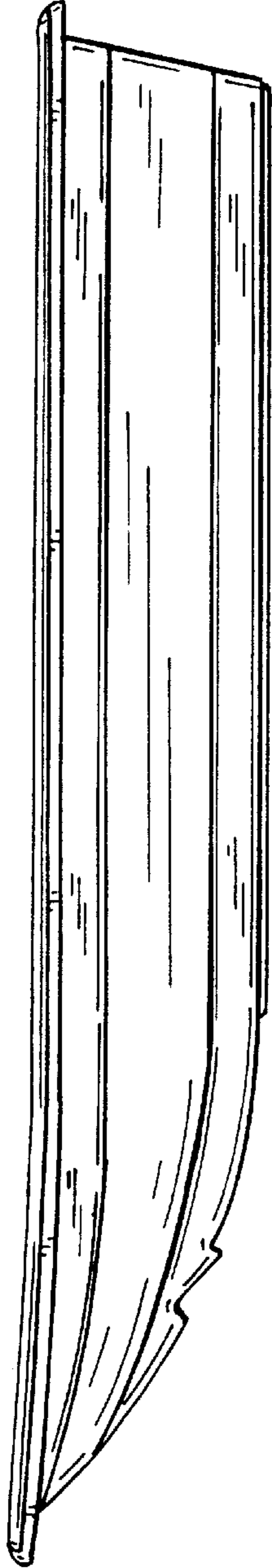


FIG. 4



FIG. 6

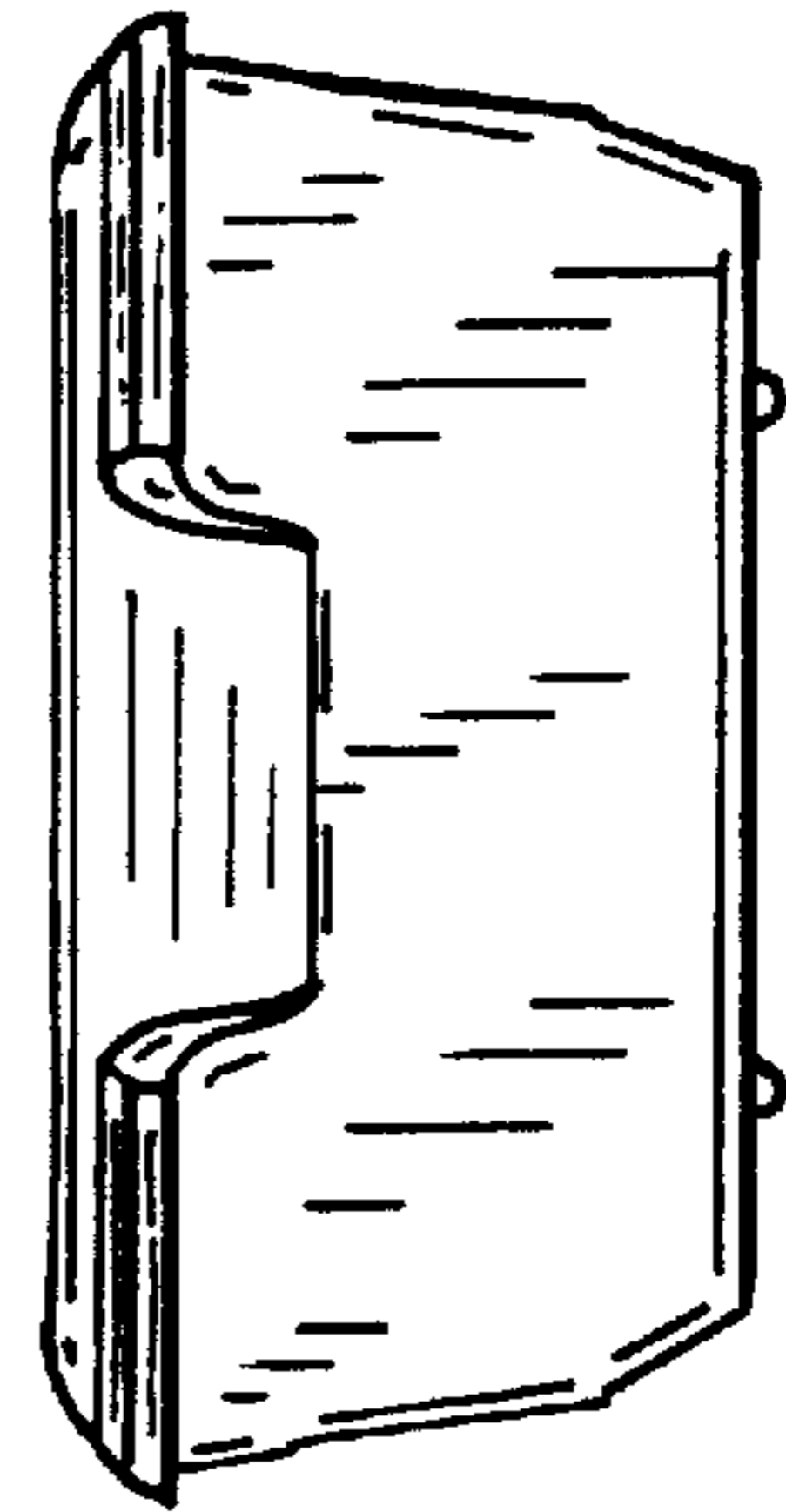


FIG. 5