



US00D489032S

(12) **United States Design Patent**
de Oliveira

(10) **Patent No.:** **US D489,032 S**

(45) **Date of Patent:** **** Apr. 27, 2004**

(54) **STEEL WHEEL FOR A VEHICLE**

(75) **Inventor:** **Marcio Aparecido de Oliveira,**
Limeira (BR)

(73) **Assignee:** **ArvinMeritor Technology, LLC,** Troy,
MI (US)

(**) **Term:** **14 Years**

(21) **Appl. No.:** **29/176,244**

(22) **Filed:** **Feb. 19, 2003**

(51) **LOC (7) Cl.** **12-16**

(52) **U.S. Cl.** **D12/209**

(58) **Field of Search** **D12/204-211;**
301/37.101, 64.101, 65

(56) **References Cited**

U.S. PATENT DOCUMENTS

D392,930 S	*	3/1998	Embrador	D12/209
D422,257 S	*	4/2000	Pruden	D12/209
D438,157 S	*	2/2001	Donikoglu	D12/209
D440,198 S	*	4/2001	Ivanova et al.	D12/209
D442,134 S	*	5/2001	Chung	D12/209
D442,135 S	*	5/2001	Chrysanto et al.	D12/209
D455,692 S	*	4/2002	Iguchi et al.	D12/209
D459,691 S	*	7/2002	Takechi	D12/211

D461,154 S	*	8/2002	Kataoka	D12/209
D461,155 S	*	8/2002	Takechi	D12/209
D469,050 S	*	1/2003	Noriega	D12/209
D475,961 S	*	6/2003	Pfeiffer et al.	D12/211

* cited by examiner

Primary Examiner—Stacia Cadmus

(74) *Attorney, Agent, or Firm*—Carlson, Gaskey & Olds

(57) **CLAIM**

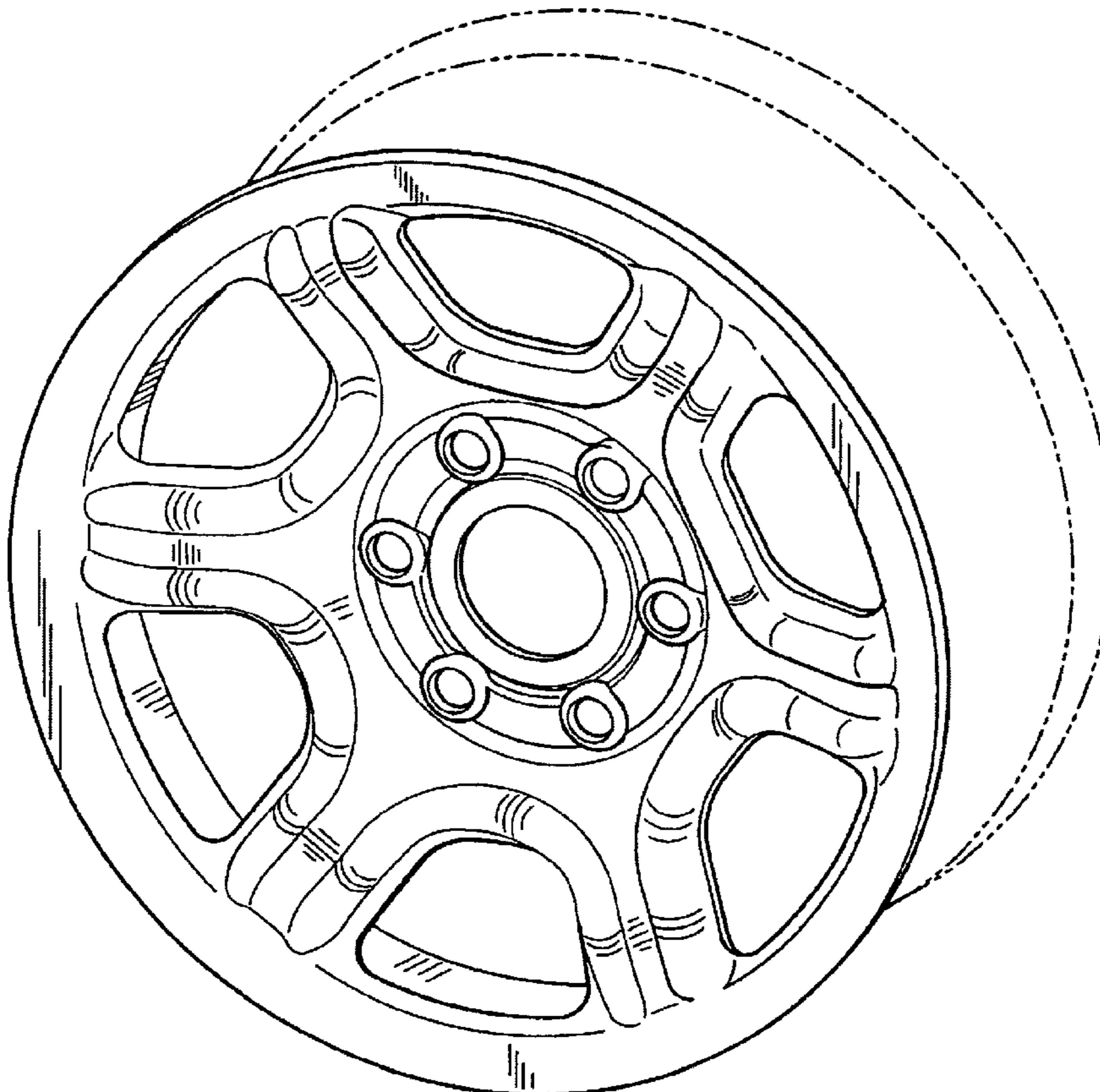
The ornamental design for a steel wheel for a vehicle, as shown and described.

DESCRIPTION

FIG. 1 is a perspective view of the steel wheel for a vehicle; FIG. 2 is a front view of the steel wheel for a vehicle; FIG. 3 is an enlarged cross-sectional view along line 3—3 as shown in FIG. 2 of the ornamental features of the steel wheel for a vehicle that shows contour for the views shown in FIGS. 1 and 2; and, FIG. 4 is an enlarged cross-sectional view along line 4—4 as shown in FIG. 2 of the ornamental features of the steel wheel for a vehicle that shows contour for the views shown in FIGS. 1 and 2.

The broken line showing of environment is for illustrative purposes only and forms no part of the claimed design.

1 Claim, 3 Drawing Sheets



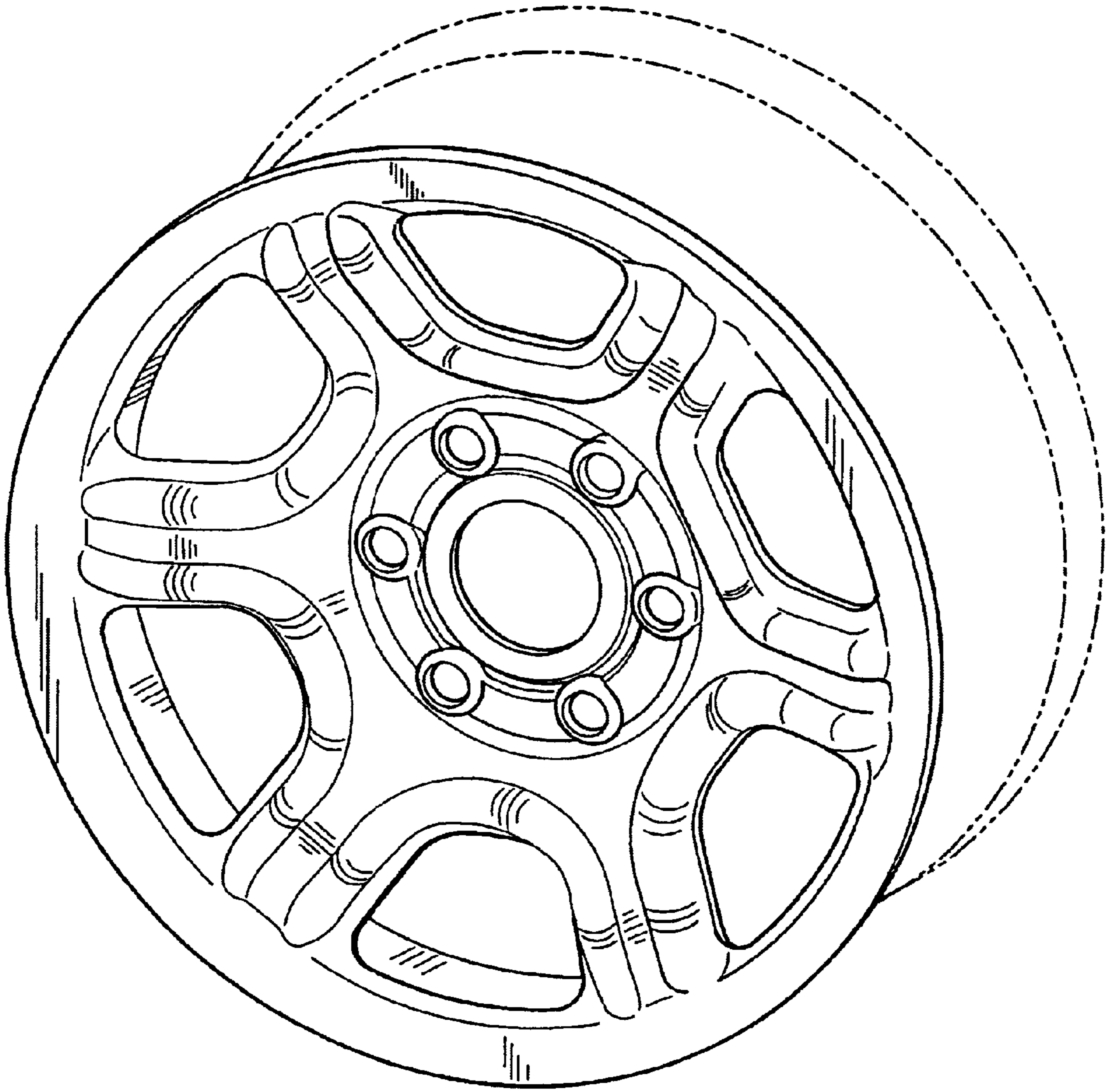


Fig-1

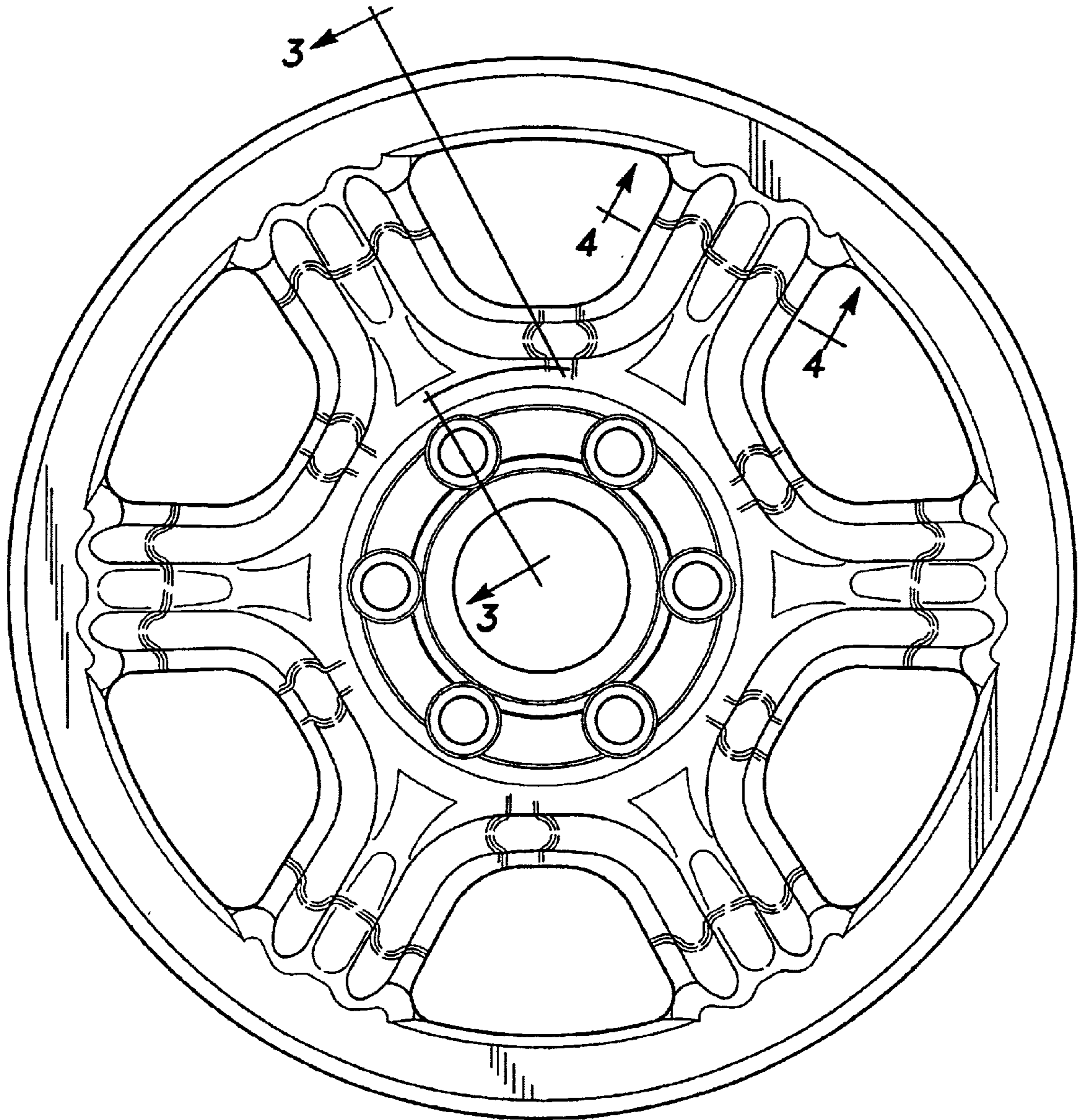


Fig-2

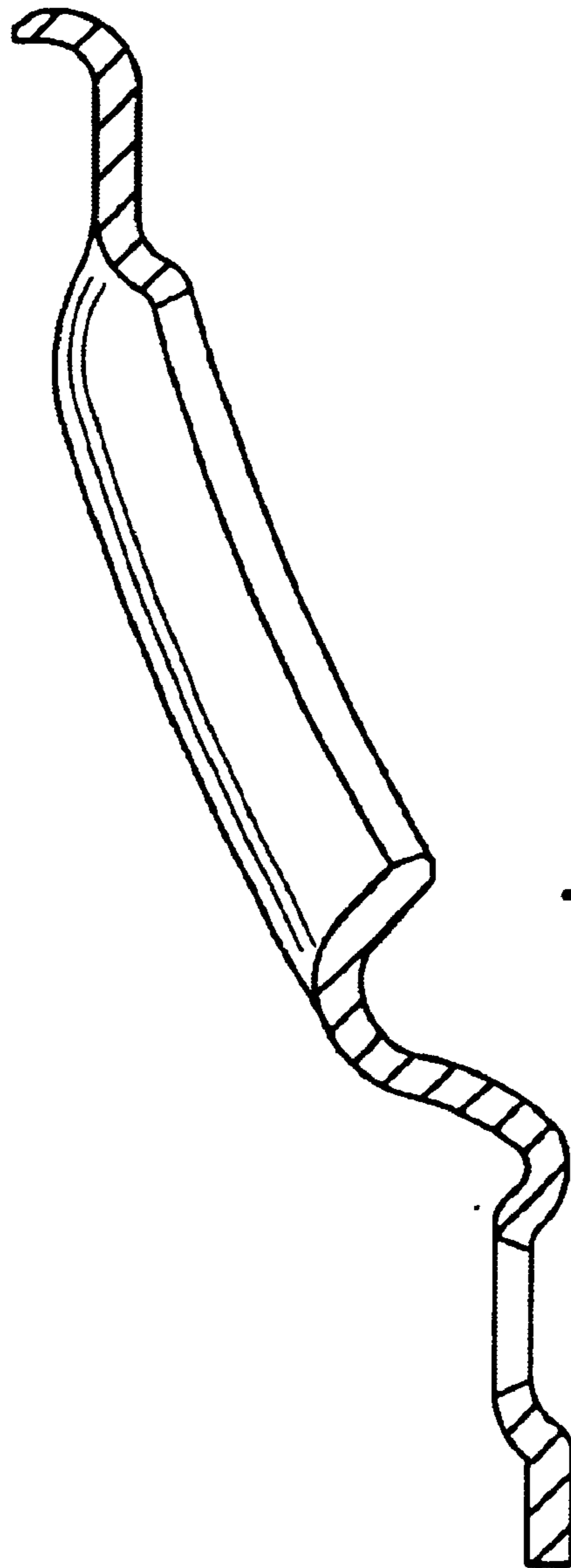


Fig-3

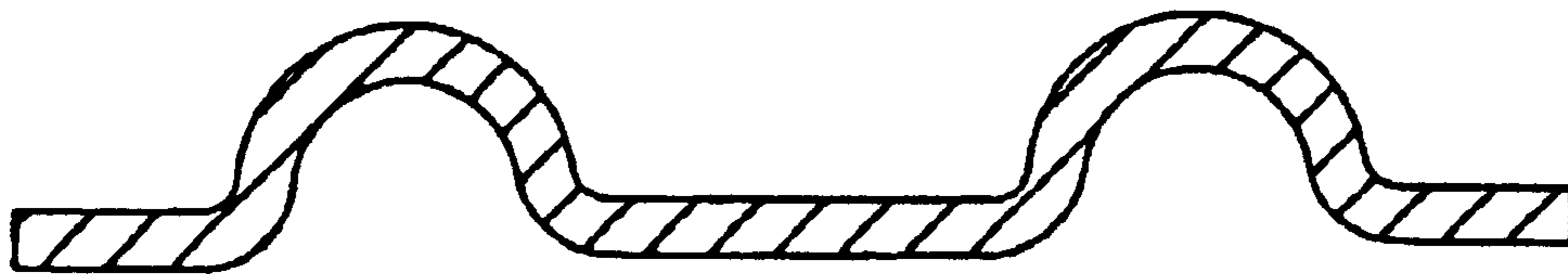


Fig-4