



US00D489028S

(12) **United States Design Patent**
Nishiyama

(10) **Patent No.:** **US D489,028 S**

(45) **Date of Patent:** **** Apr. 27, 2004**

(54) **ROTATIONAL DAMPER**

(75) Inventor: **Masayuki Nishiyama**, Chigasaki (JP)

(73) Assignee: **Nifco Inc.**, Yokohama (JP)

(**) Term: **14 Years**

(21) Appl. No.: **29/173,783**

(22) Filed: **Jan. 7, 2003**

(30) **Foreign Application Priority Data**

Jul. 24, 2002 (JP) 2002-022996

(51) **LOC (7) Cl.** **12-16**

(52) **U.S. Cl.** **D12/180**

(58) **Field of Search** D12/180; 188/290,
188/267.2, 293, 303, 296, 151 R, 322.5;
16/54, 82, 307, 342

(56) **References Cited**

U.S. PATENT DOCUMENTS

D450,280 S * 11/2001 Brumfield D12/180
6,360,854 B1 * 3/2002 Hwang 188/151 R

6,464,052 B1 * 10/2002 Hsiao 188/290

6,499,573 B1 * 12/2002 Konomoto 188/322.5

6,547,043 B2 * 4/2003 Card 188/267.2

6,604,614 B2 * 8/2003 Kurihara et al. 188/290

6,622,829 B2 * 9/2003 Oliver et al. 188/303

* cited by examiner

Primary Examiner—Melody N. Brown

(74) *Attorney, Agent, or Firm*—Kanesaka & Takeuchi

(57) **CLAIM**

The ornamental design for a rotational damper, as shown and described.

DESCRIPTION

FIG. 1 is a front view of a rotational damper showing my new design;

FIG. 2 is a right side view thereof;

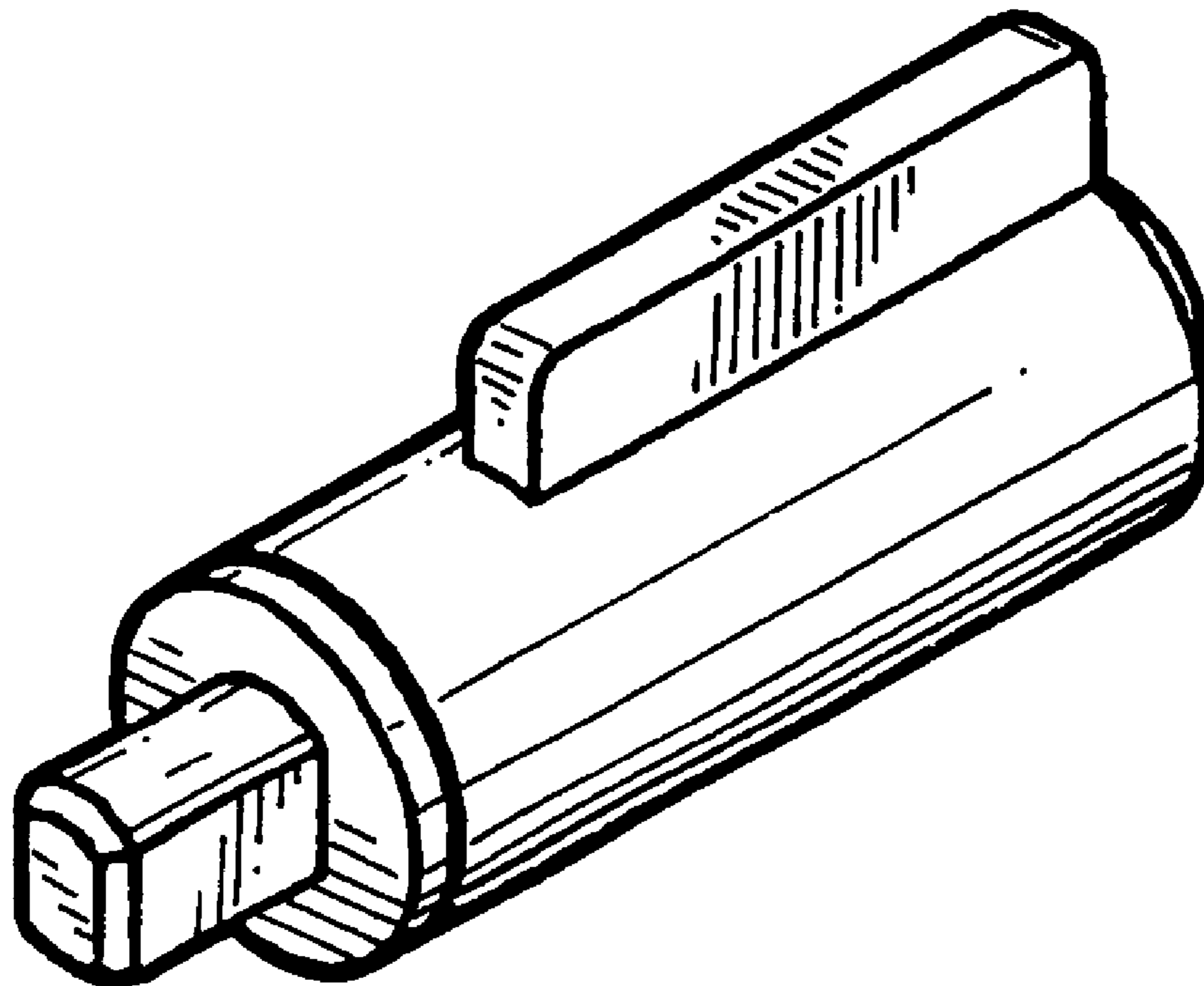
FIG. 3 is a left side view thereof;

FIG. 4 is a plan view thereof;

FIG. 5 is a bottom view thereof; and,

FIG. 6 is a perspective view thereof.

1 Claim, 2 Drawing Sheets



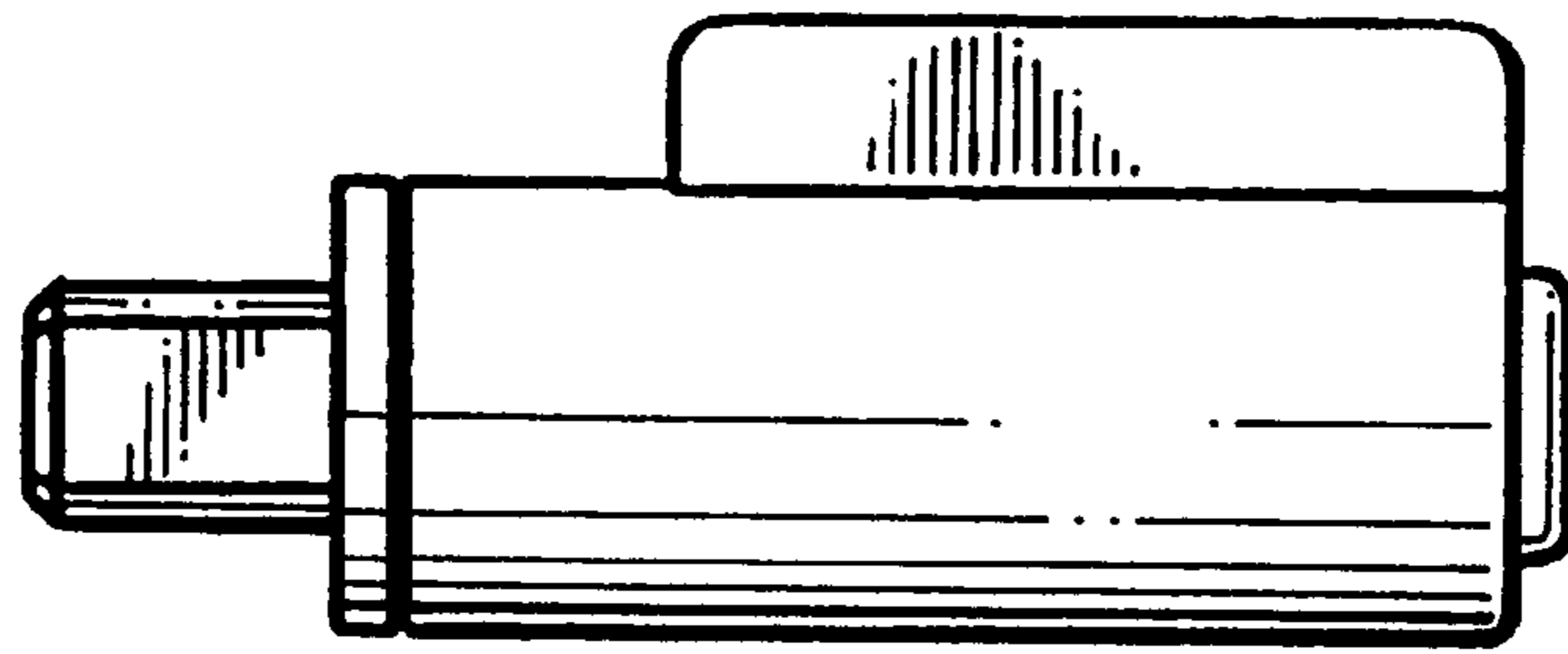


FIG. 1

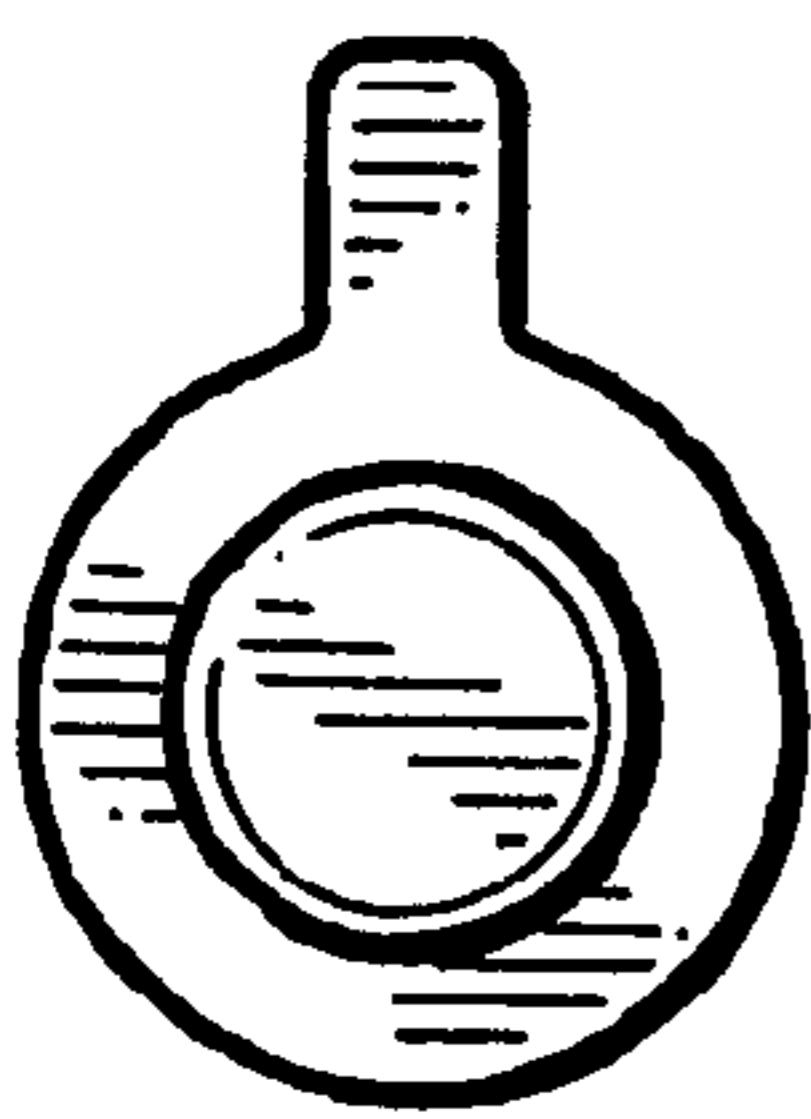


FIG. 2

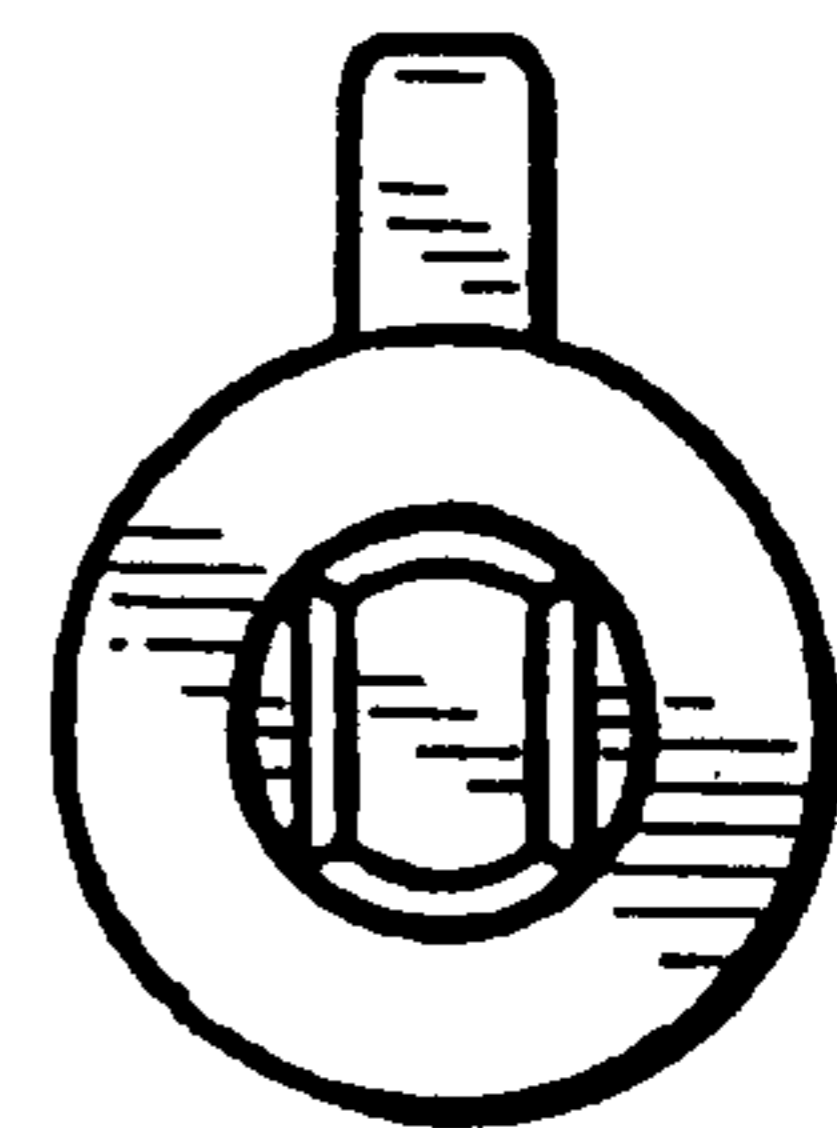


FIG. 3

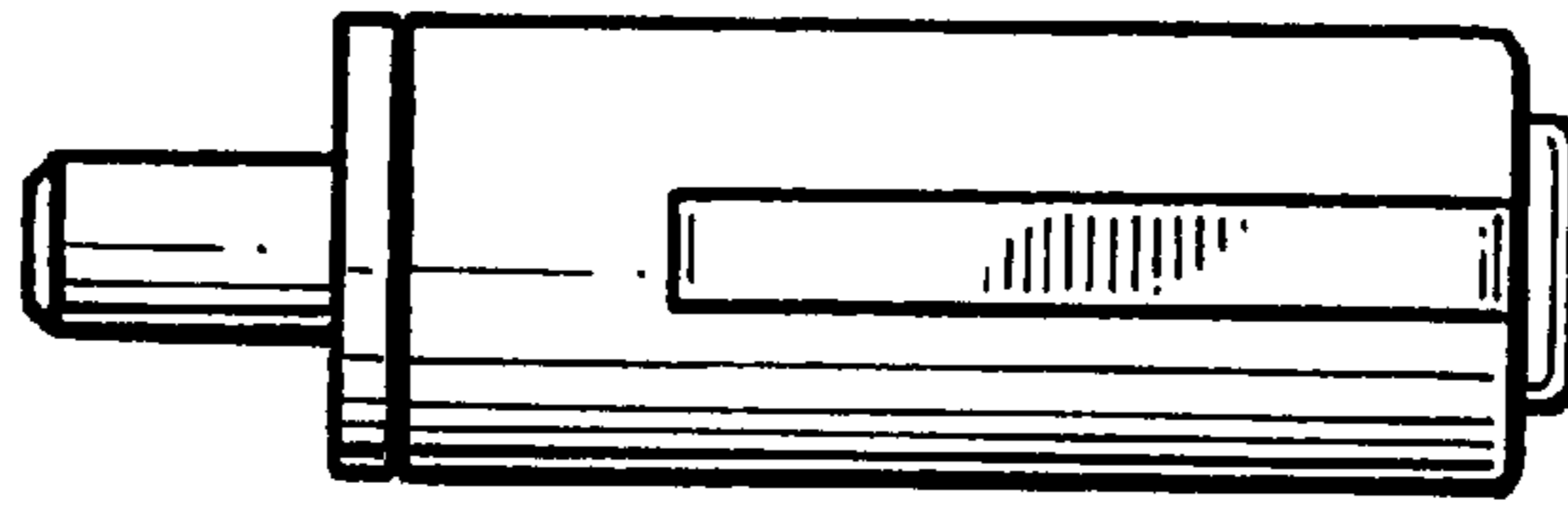


FIG. 4

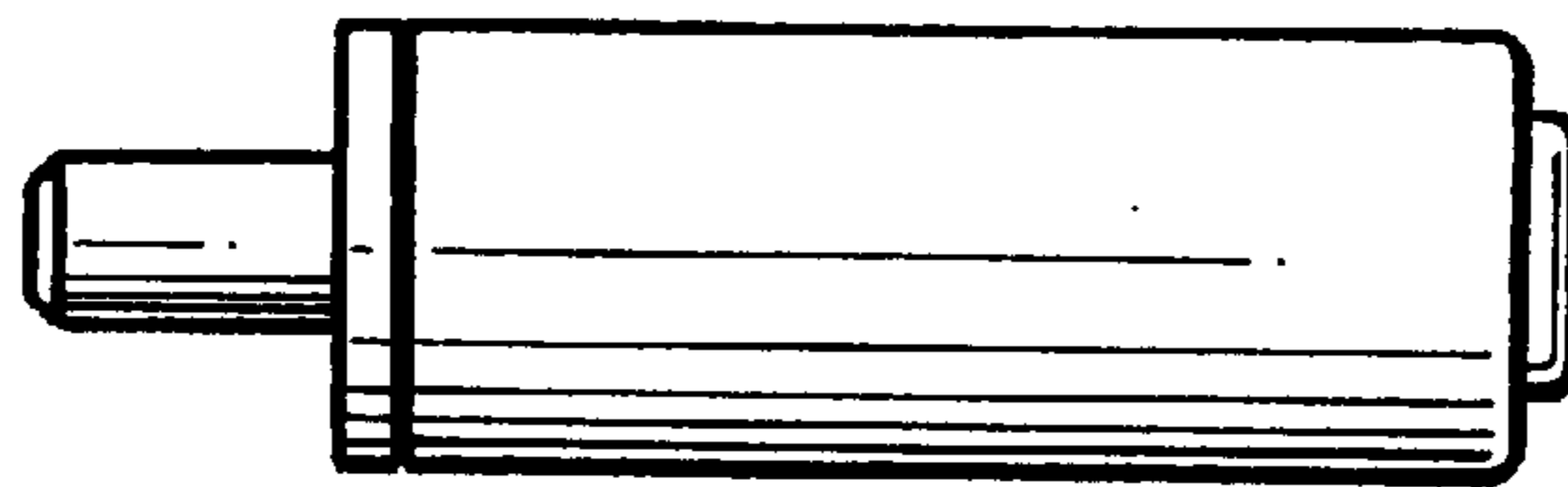


FIG. 5

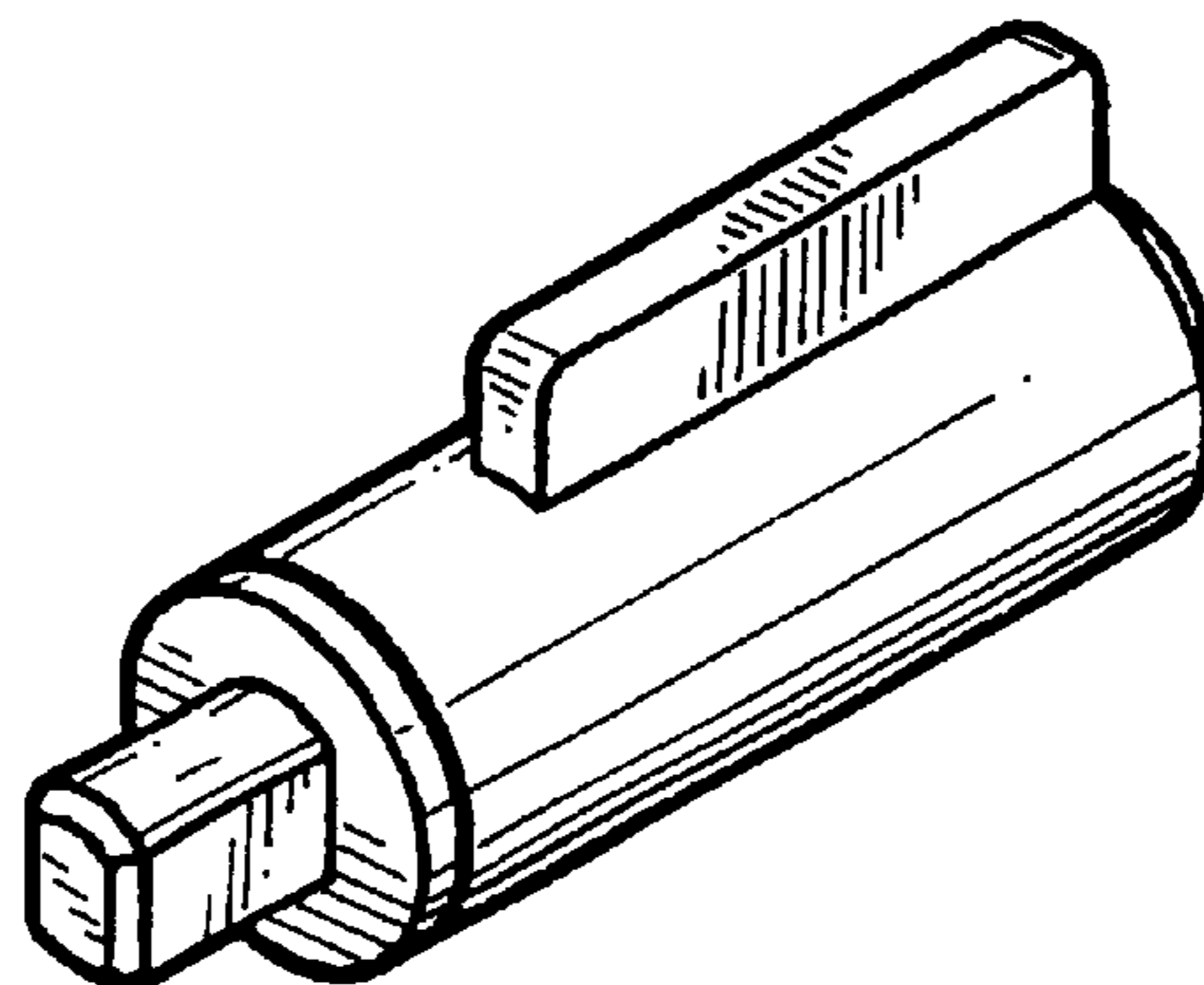


FIG. 6