



US00D489015S

(12) **United States Design Patent**
Tinklepaugh et al.

(10) **Patent No.:** **US D489,015 S**

(45) **Date of Patent:** **** Apr. 27, 2004**

(54) **PRESSURE TAP FLANGE**

6,120,108 A 9/2000 Foxx
6,206,483 B1 3/2001 LaLone

(75) Inventors: **Mark Tinklepaugh**, Central Square, NY (US); **Lyle Jantzi**, Adams, NY (US)

Primary Examiner—Antoine Duval Davis
(74) *Attorney, Agent, or Firm*—Barnes & Thornburg

(73) Assignee: **New York Air Brake Corporation**, Watertown, NY (US)

(57) **CLAIM**

(**) Term: **14 Years**

The ornamental design for a “pressure tap flange”, as shown and described.

(21) Appl. No.: **29/182,114**

(22) Filed: **May 21, 2003**

DESCRIPTION

(51) **LOC (7) Cl.** **10-04**

(52) **U.S. Cl.** **D10/96**

(58) **Field of Search** D10/96; 251/149.1, 251/149.6, 148, 143, 149, 151; 303/22.1, 22.2–22.8, 28, 37, 33, 128, 66, 1, 86

FIG. 1 is a perspective view of an embodiment of a pressure tap flange, according to the principles of the present invention.

FIG. 2 is a front elevation of the embodiment of FIG. 1.

FIG. 3 is a side elevation view of the embodiment of FIG. 1, the other side view being a mirror image thereof.

FIG. 4 is a plan view of the embodiment of FIG. 1.

FIG. 5 is a rear elevation view of the embodiment of FIG. 1.

FIG. 6 is a plan view of the embodiment of FIG. 1; and,

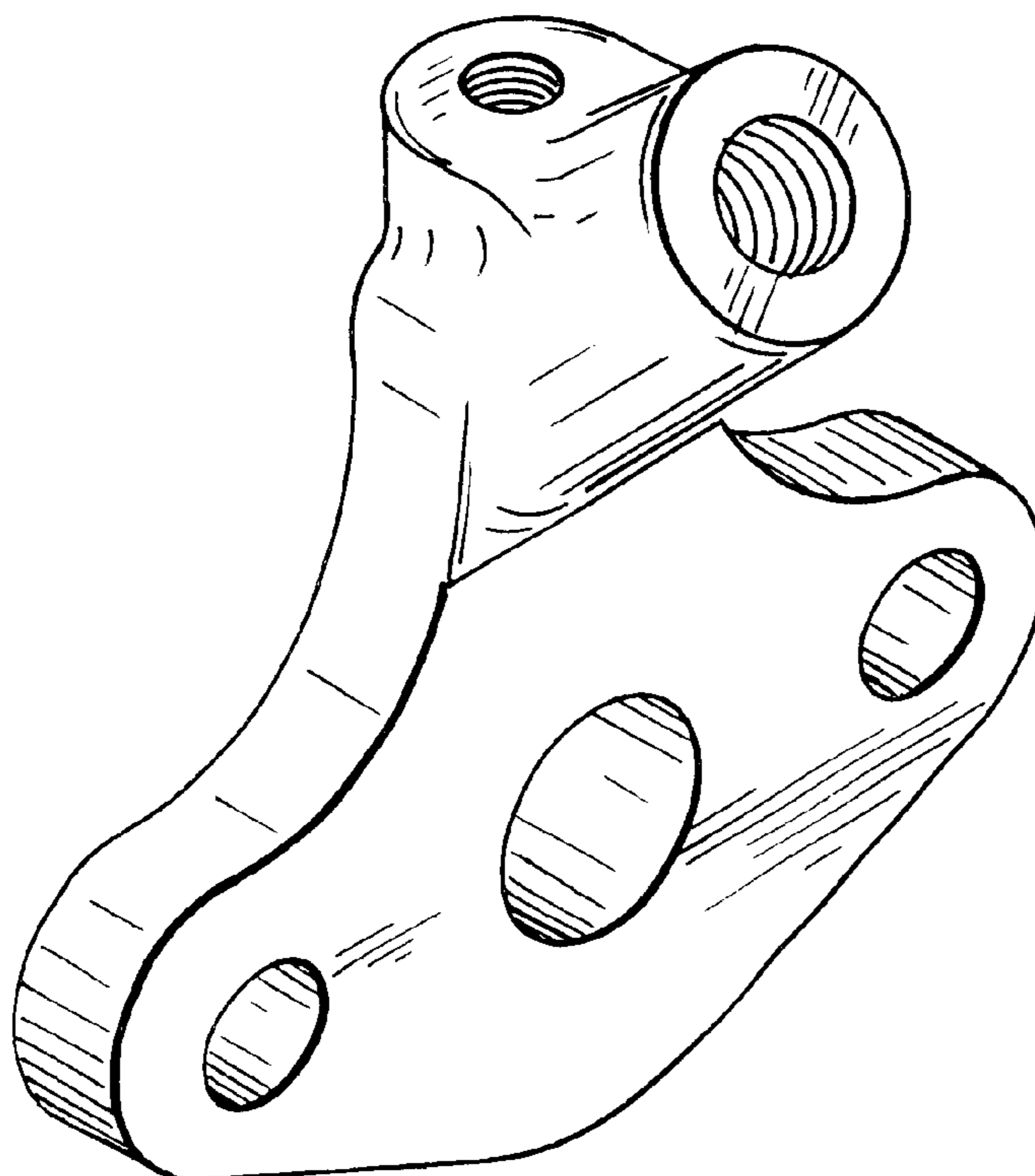
FIG. 7 is a perspective view of the embodiment of FIG. 1 showing a quick release device with dust cover open, two bolts and a gasket in phantom.

(56) **References Cited**

U.S. PATENT DOCUMENTS

- 5,451,099 A 9/1995 Hart et al.
- 5,869,754 A 2/1999 Scott et al.
- 5,869,765 A 2/1999 Scott et al.
- 6,056,265 A 5/2000 Khatchadourian et al.

1 Claim, 2 Drawing Sheets



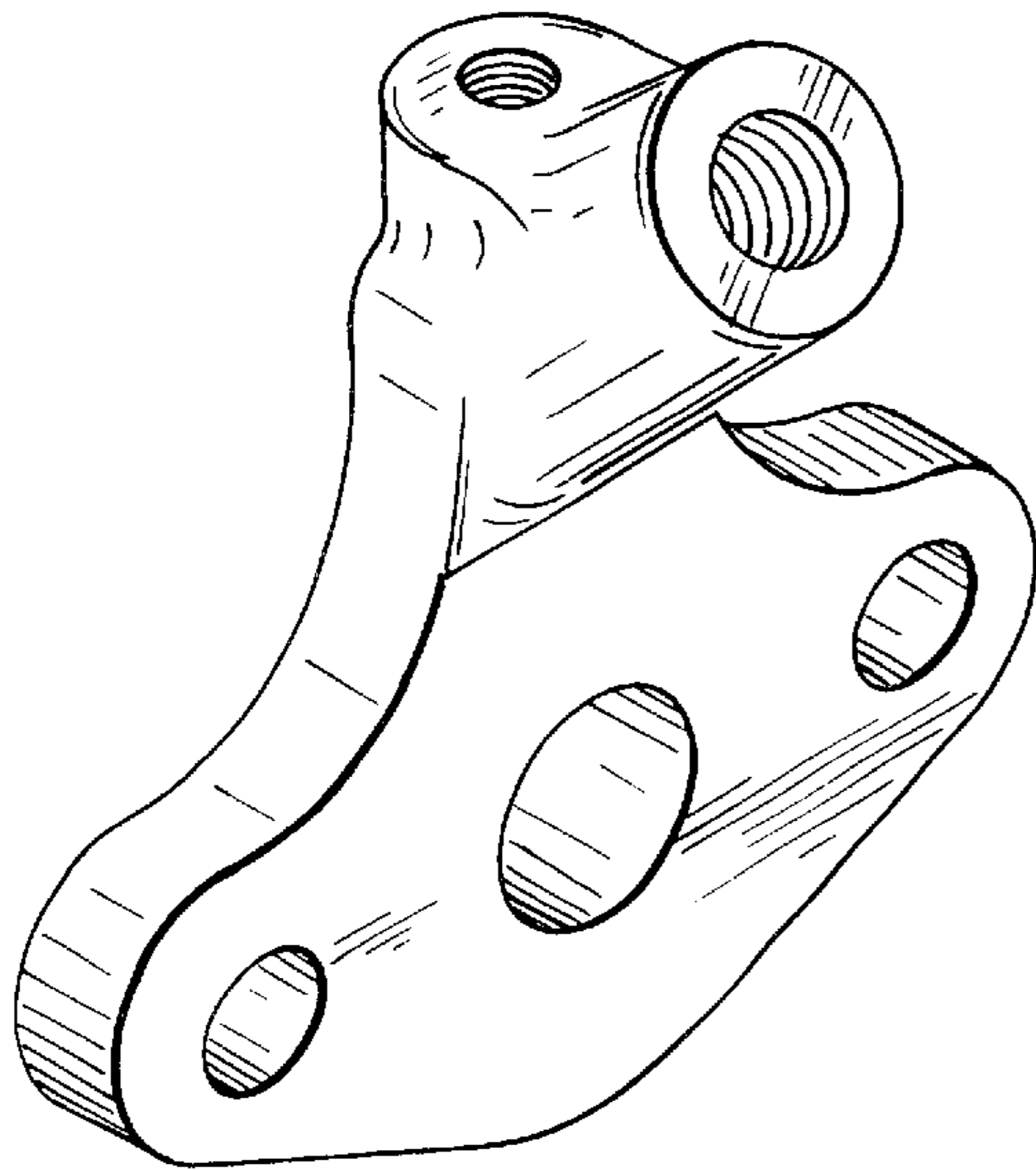


FIG. 1

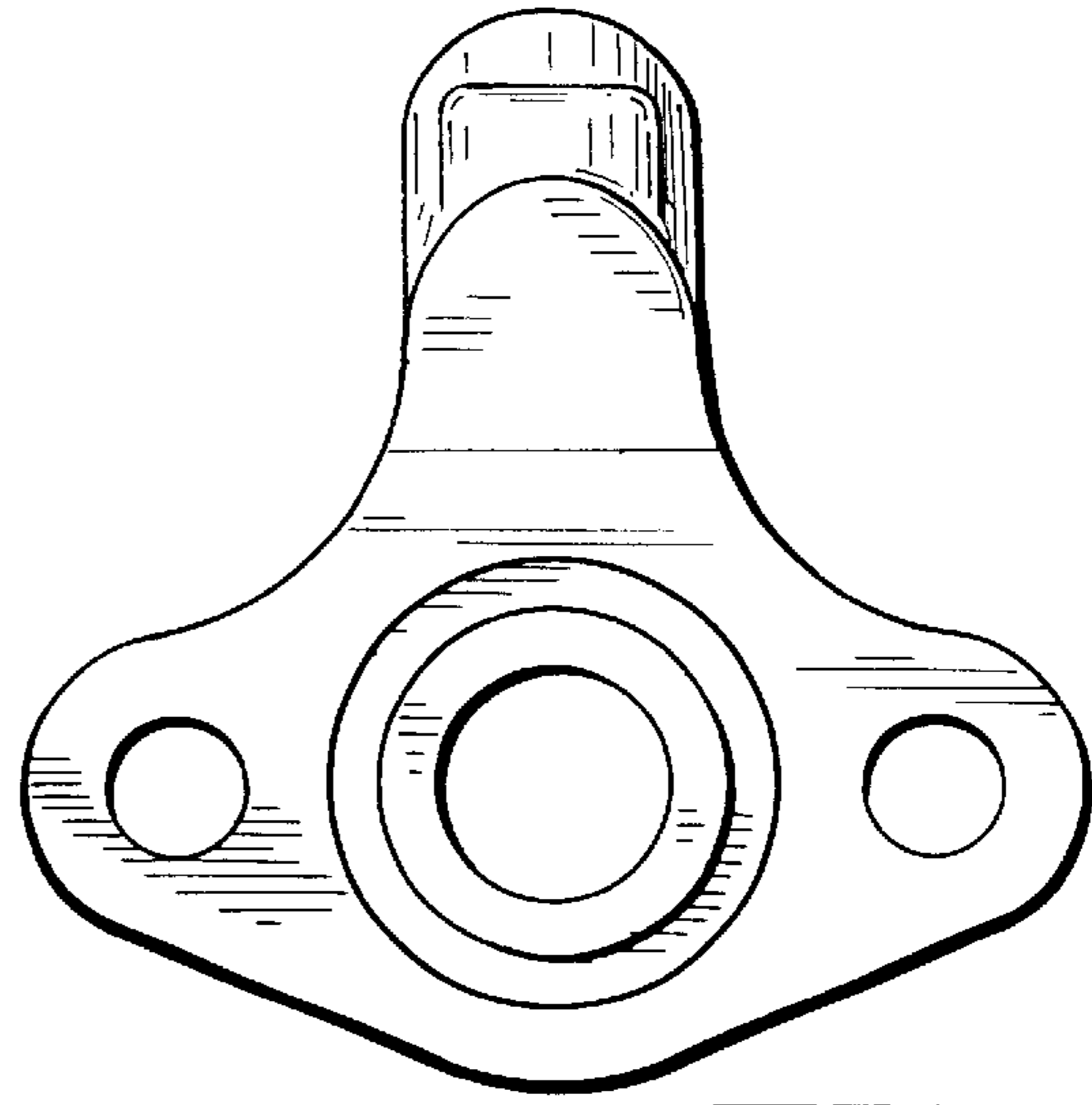


FIG. 5

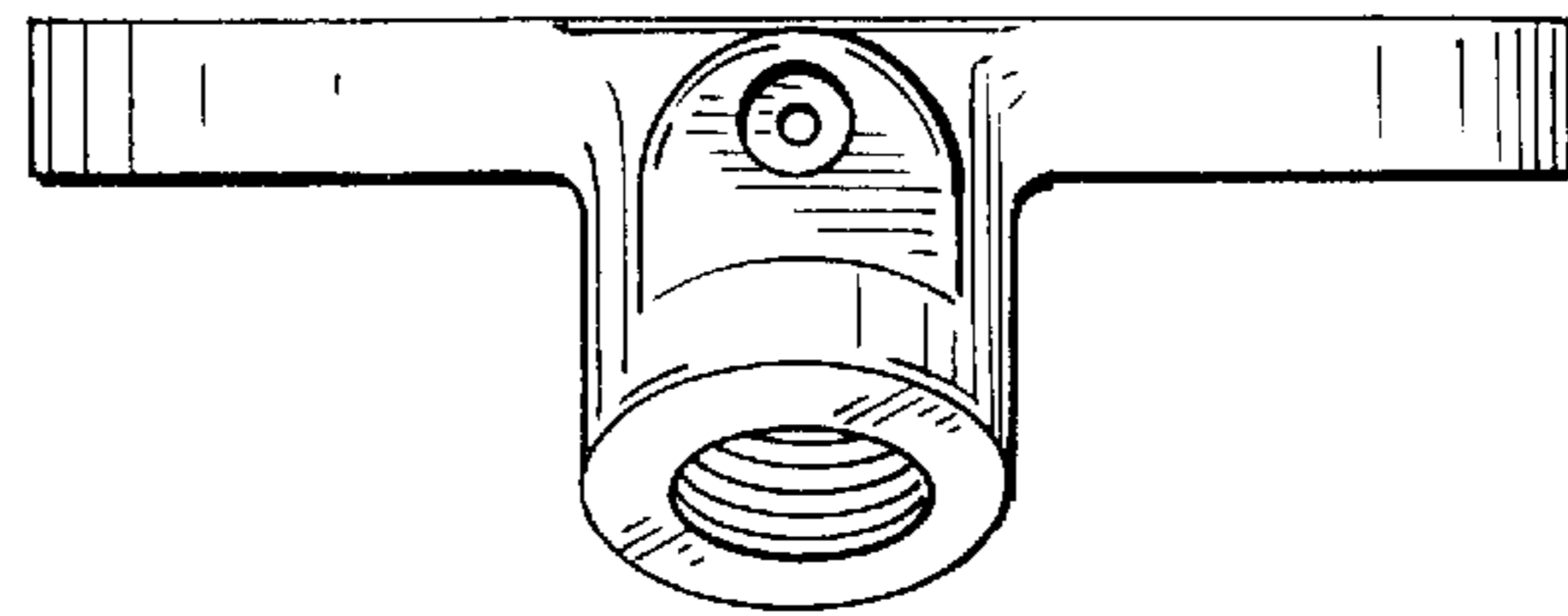


FIG. 4

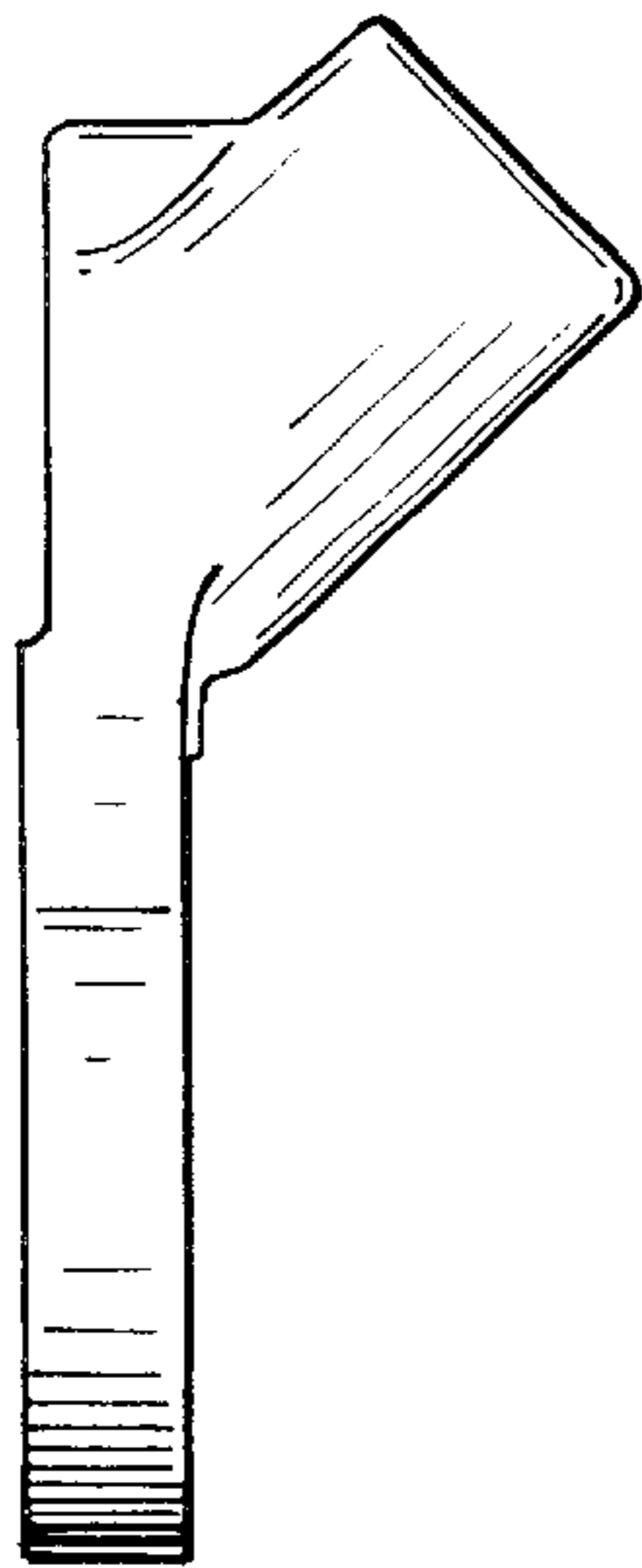


FIG. 3

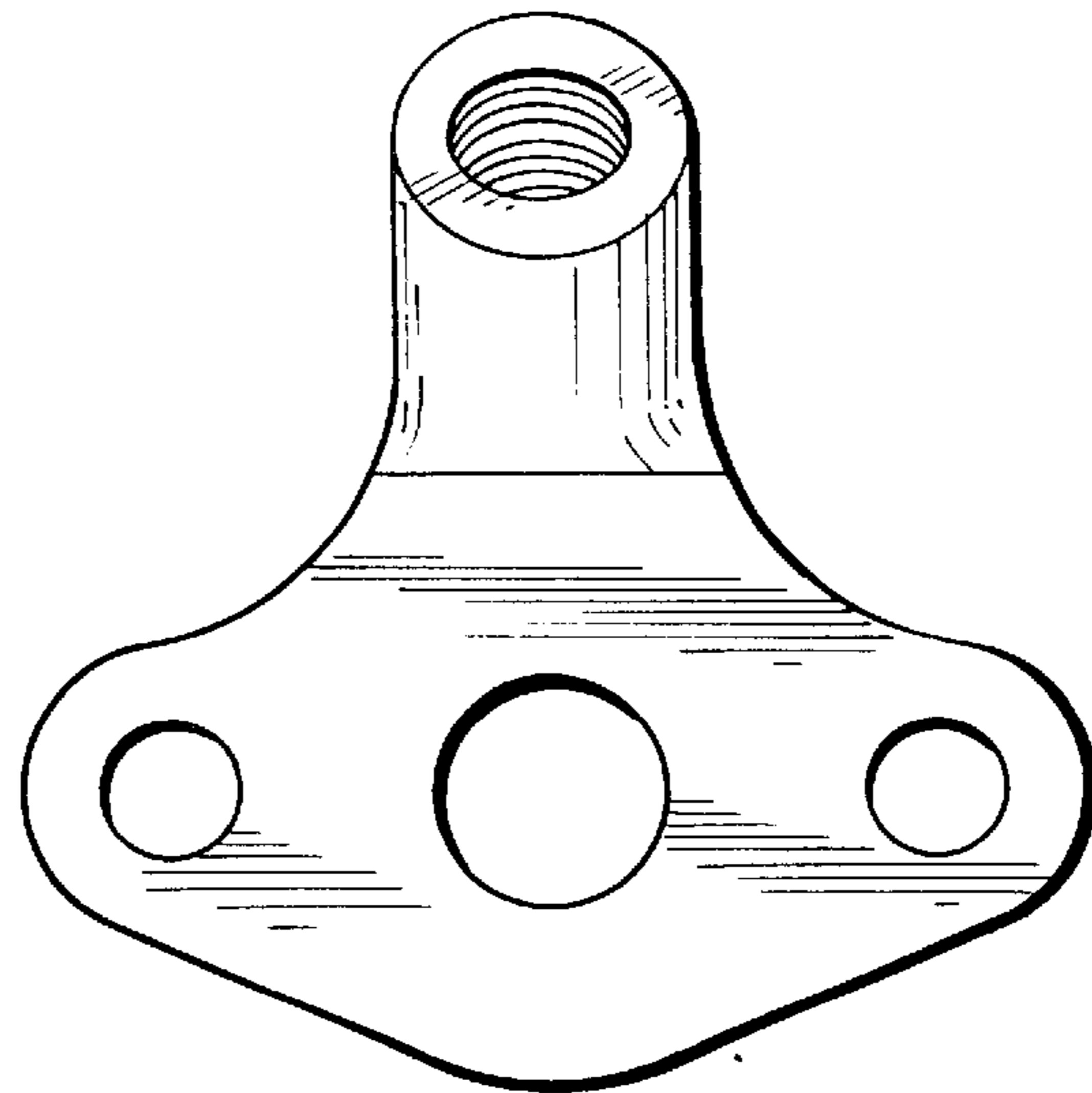


FIG. 2

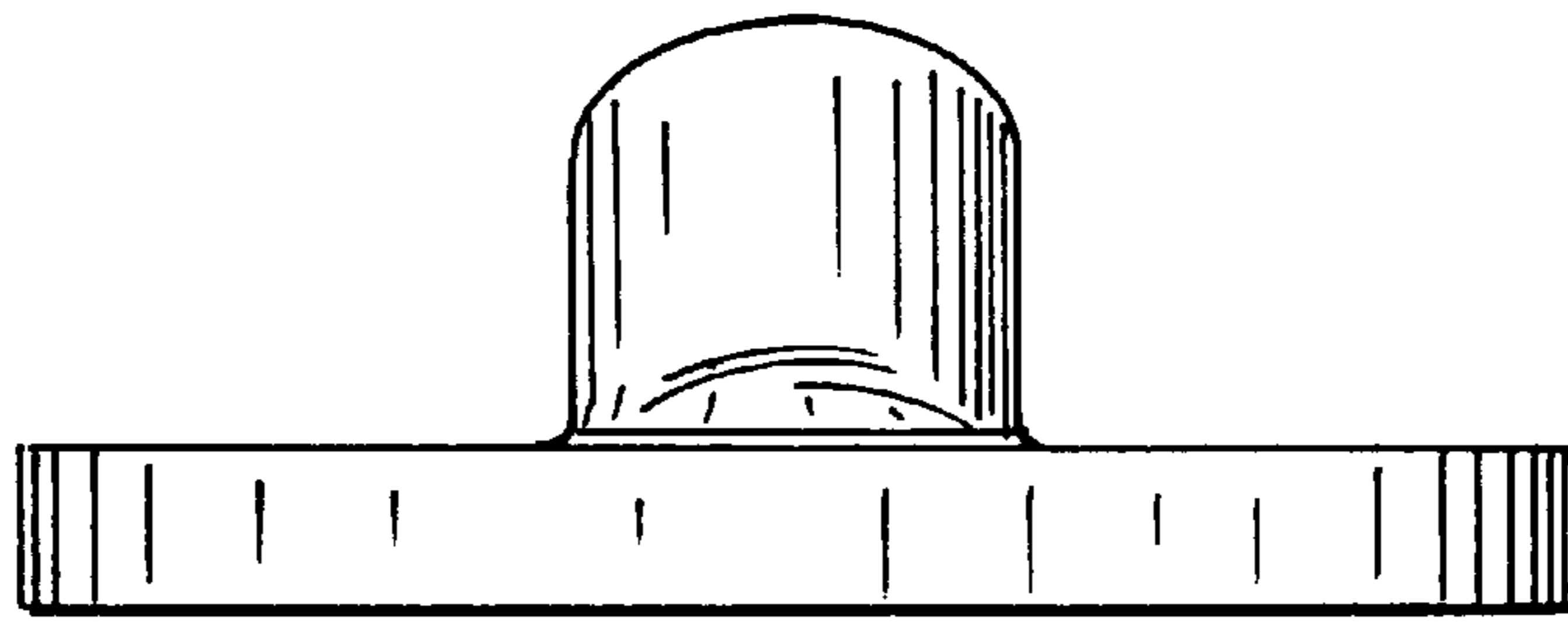


FIG. 6

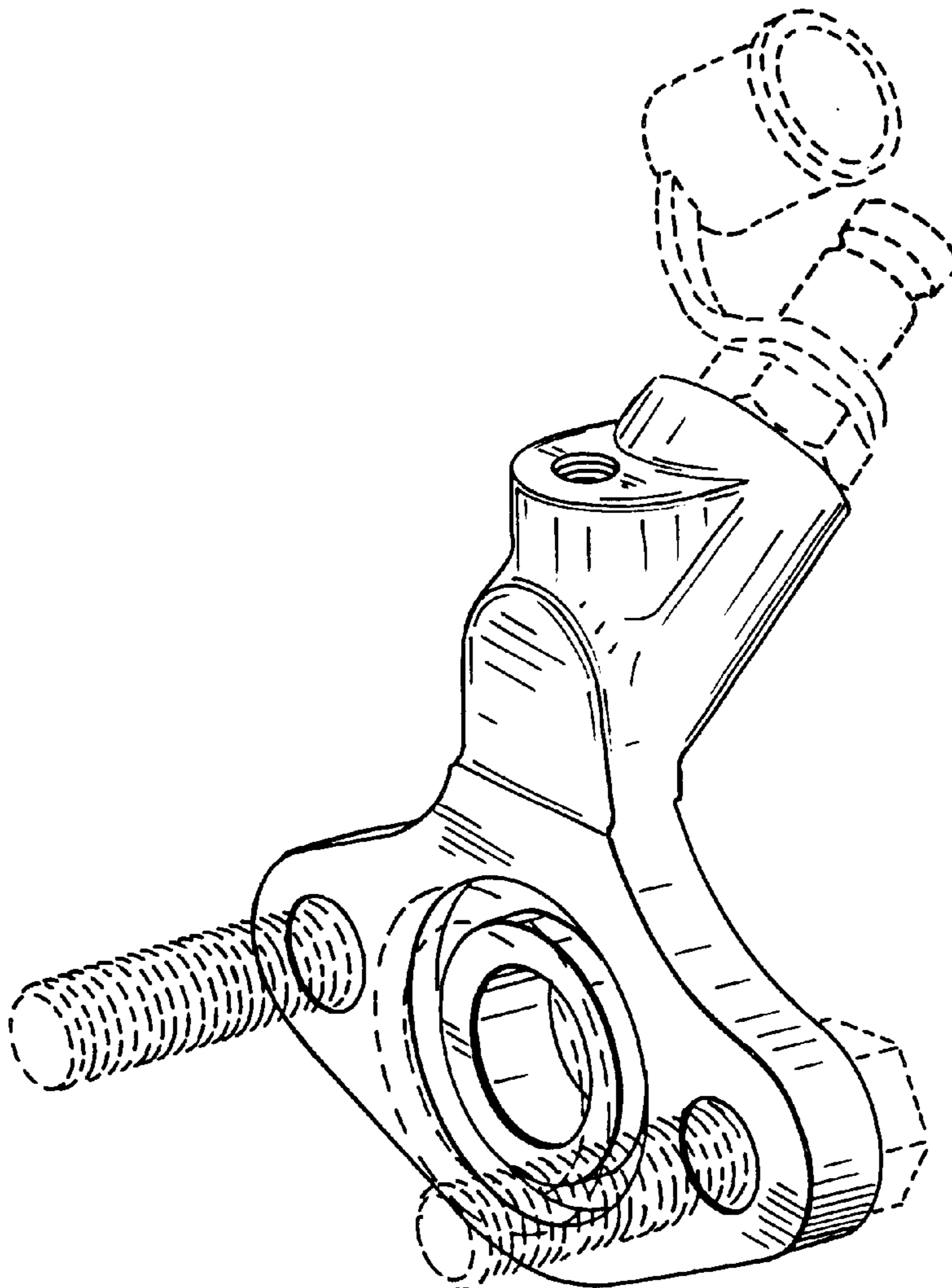


FIG. 7