



US00D489010S

(12) **United States Design Patent**
Stauffer

(10) **Patent No.:** **US D489,010 S**

(45) **Date of Patent:** **** Apr. 27, 2004**

(54) **THERMOSTAT**

(75) **Inventor:** **Michael J. Stauffer**, Memphis, TN
(US)

(73) **Assignee:** **Hunter Fan Company**, Memphis, TN
(US)

(**) **Term:** **14 Years**

(21) **Appl. No.:** **29/179,915**

(22) **Filed:** **Apr. 15, 2003**

(51) **LOC (7) Cl.** **10-04**

(52) **U.S. Cl.** **D10/49; D10/50**

(58) **Field of Search** **D10/49, 50; 200/343;**
236/46 R, 47, 49.3, 51, 84, 94; 361/680,
681; 400/495

(56) **References Cited**

U.S. PATENT DOCUMENTS

D317,267 S	6/1991	Mehta	D10/50
D317,875 S	7/1991	Mehta	D10/50
D319,595 S	9/1991	Mehta et al.	D10/50
D386,986 S	12/1997	Gee, II	D10/50

D386,987 S 12/1997 Gee, II D10/50

D386,988 S 12/1997 Gee, II D10/50

D386,989 S 12/1997 Gee, II D10/50

D386,990 S 12/1997 Gee, II D10/50

D390,134 S * 2/1998 Ingebritson et al. D10/50

* cited by examiner

Primary Examiner—Antoine Duval Davis

(74) *Attorney, Agent, or Firm*—Baker Donelson

(57) **CLAIM**

The ornamental design for a thermostat, as shown and described.

DESCRIPTION

FIG. 1 is a perspective view of a thermostat showing my new design.

FIG. 2 is a front view thereof.

FIG. 3 is a rear view thereof.

FIG. 4 is a left side view thereof.

FIG. 5 is a right side view thereof.

FIG. 6 is a top view thereof; and,

FIG. 7 is a bottom view thereof.

1 Claim, 3 Drawing Sheets

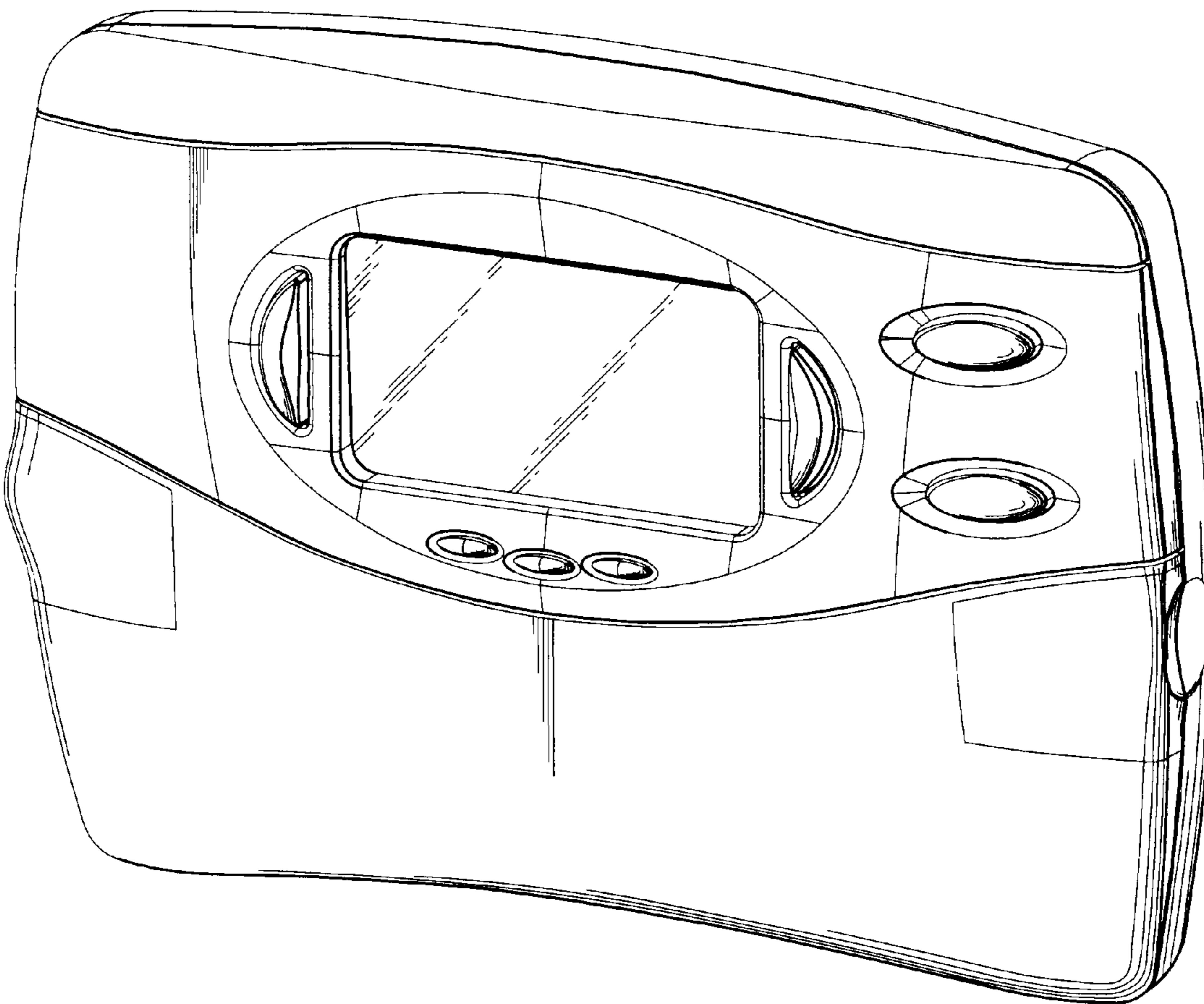


Fig. 1

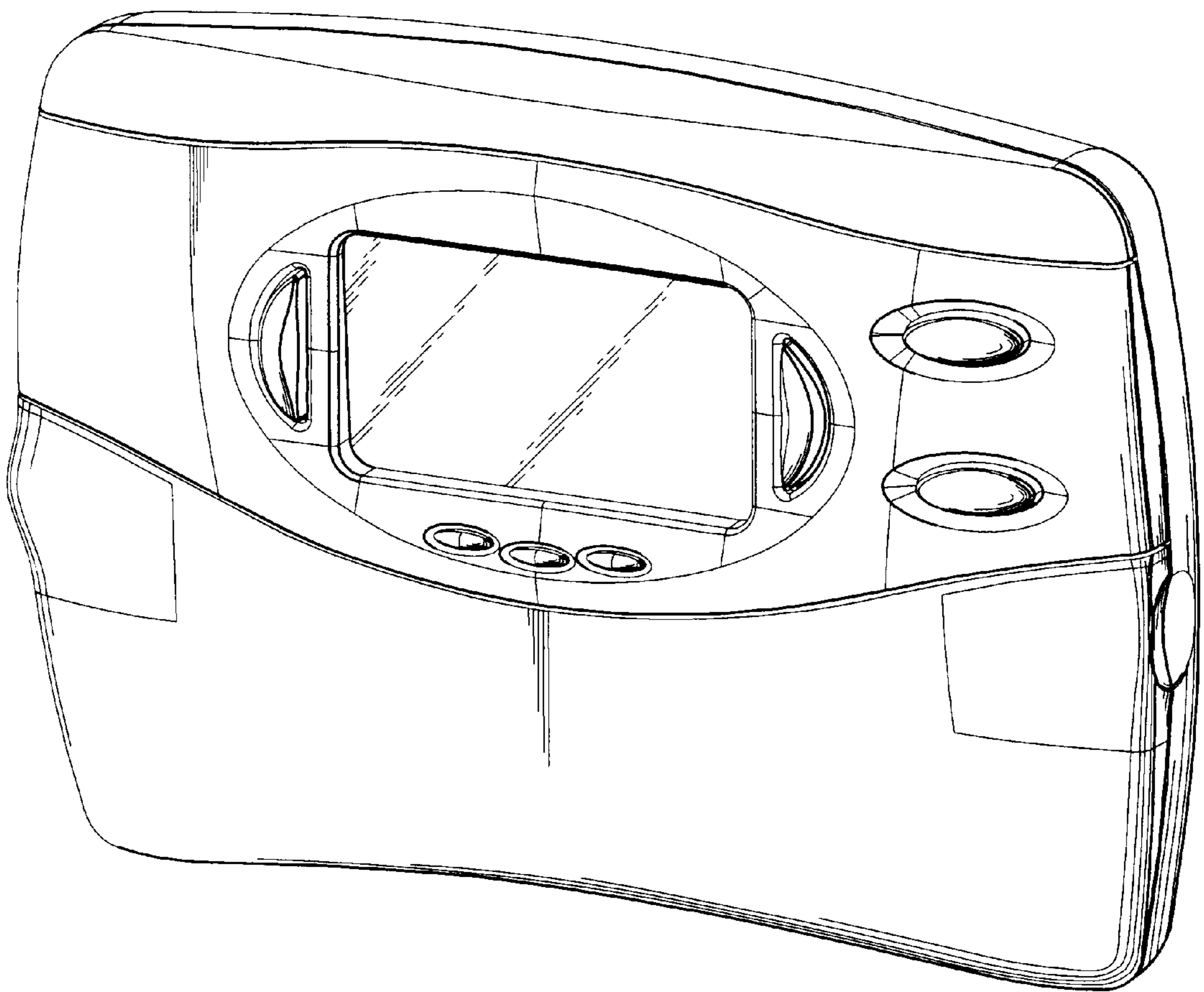


Fig. 2

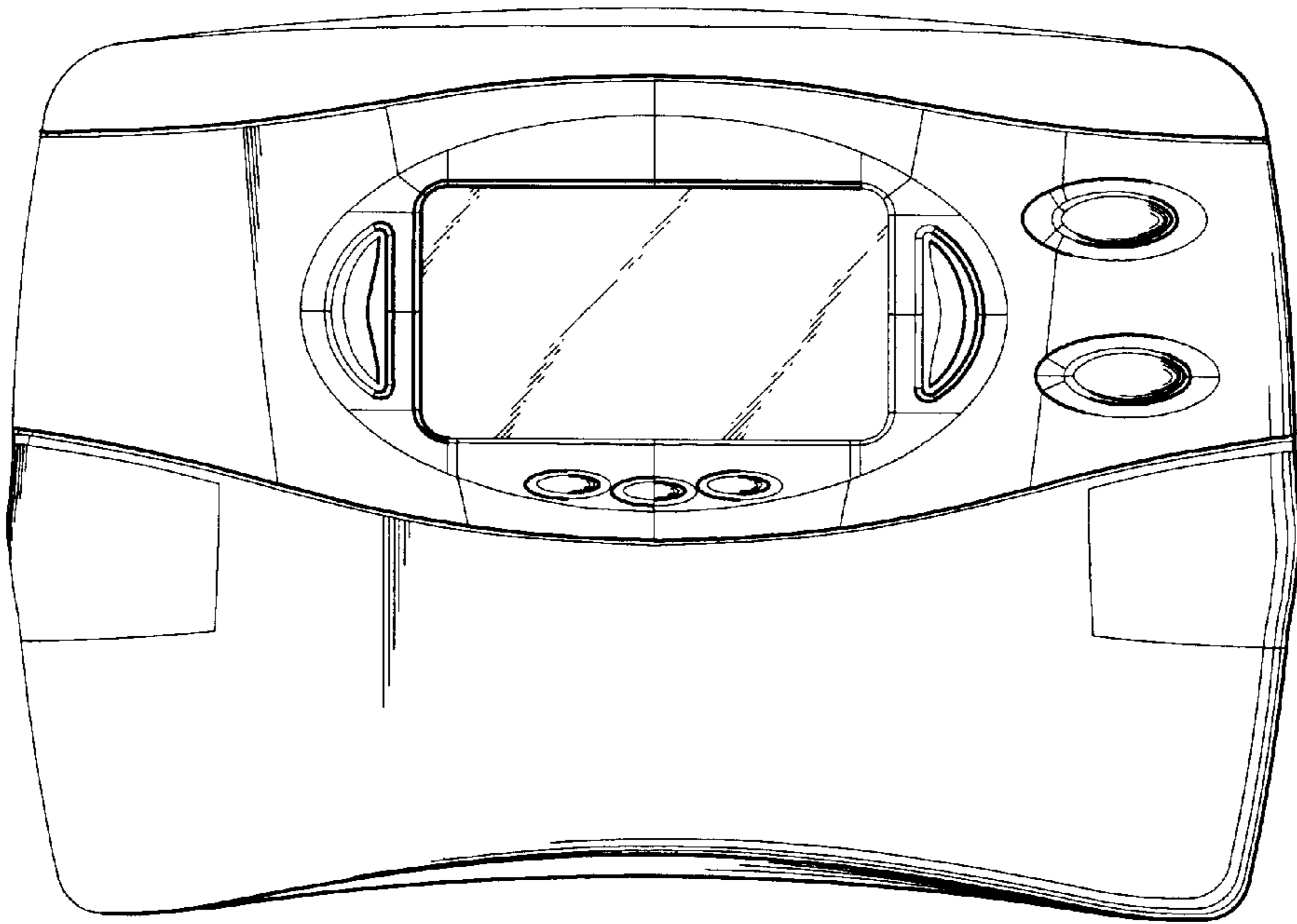


Fig. 3

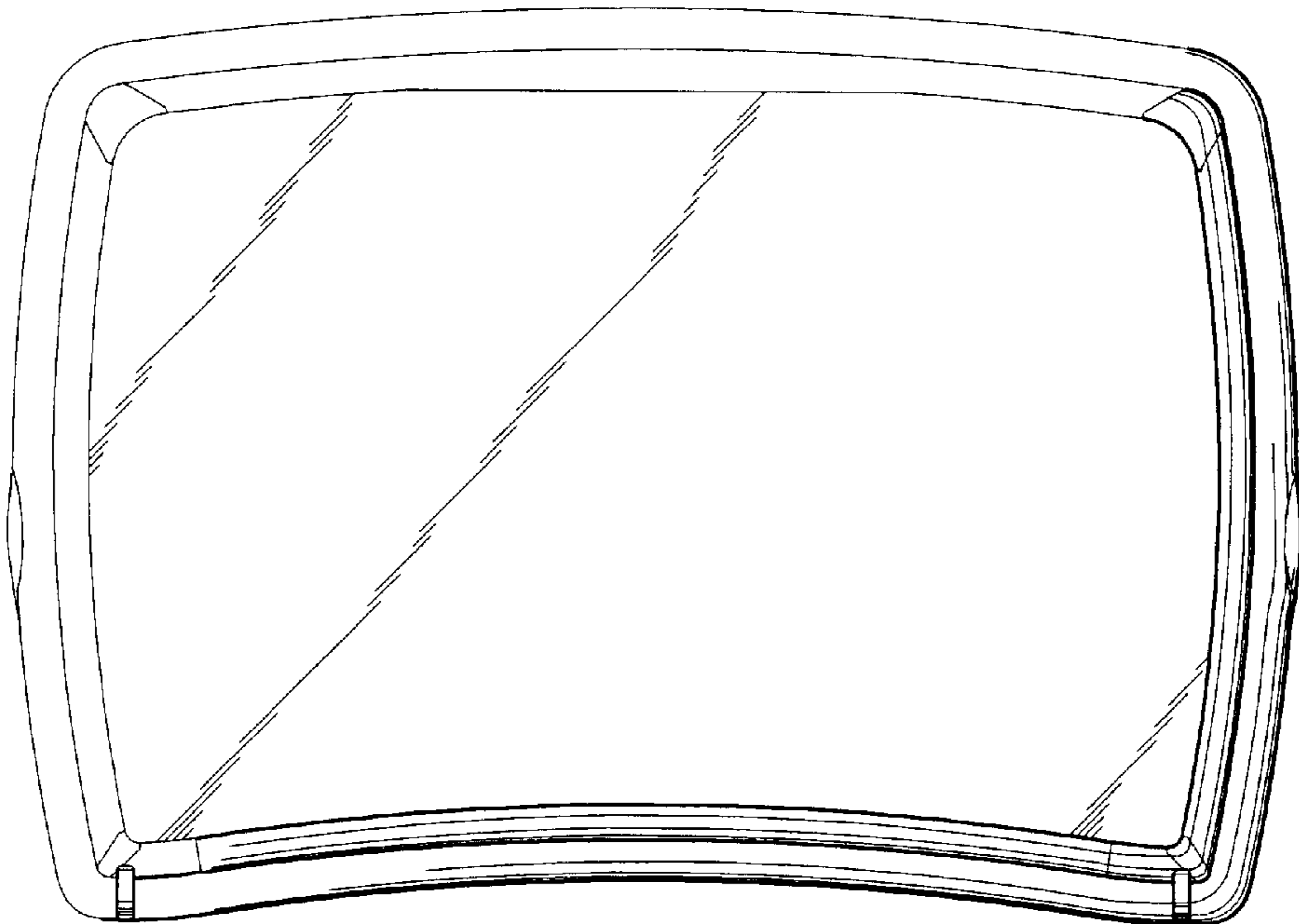


Fig. 4

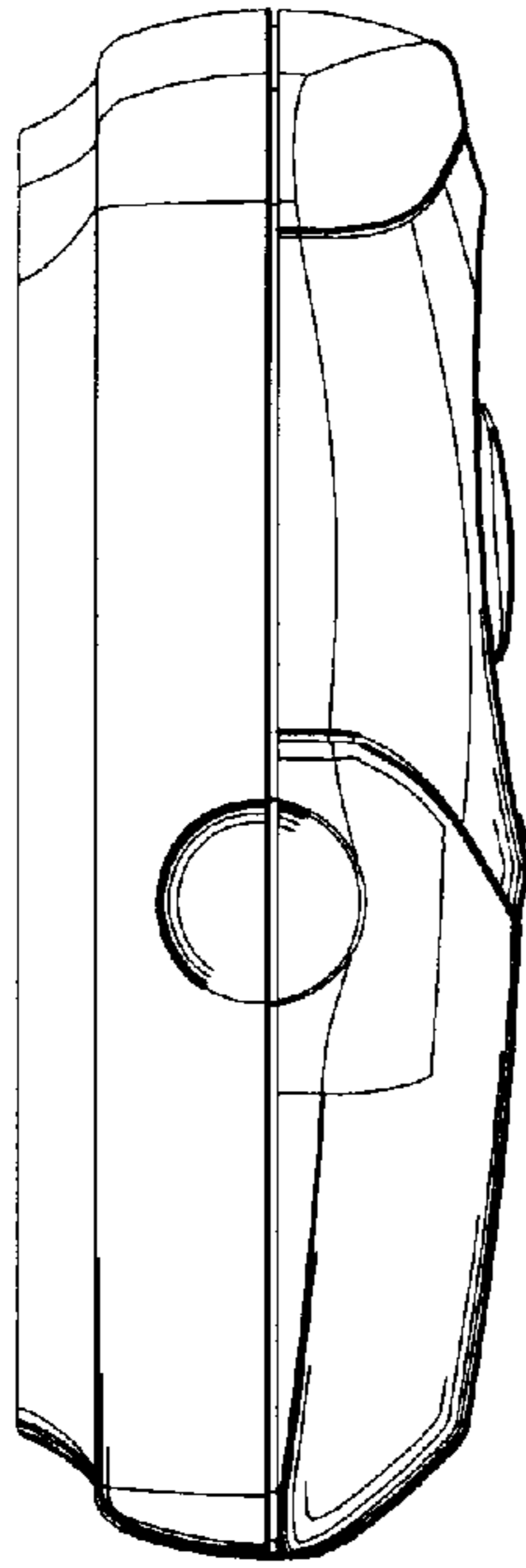


Fig. 5

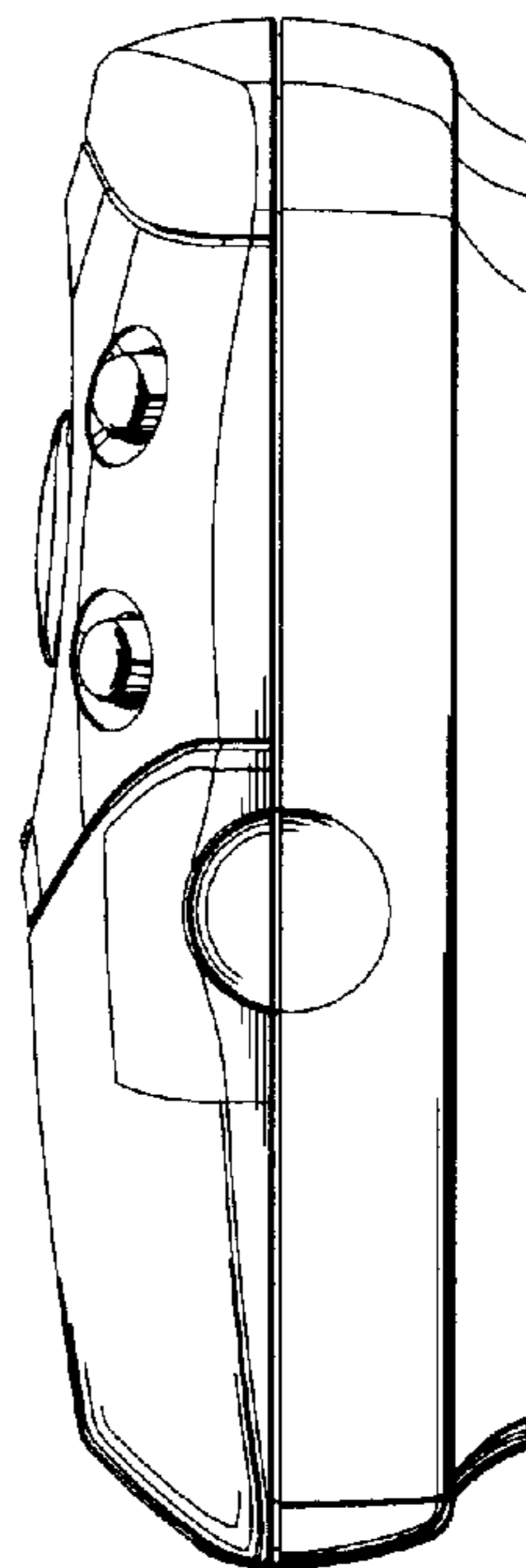


Fig. 6

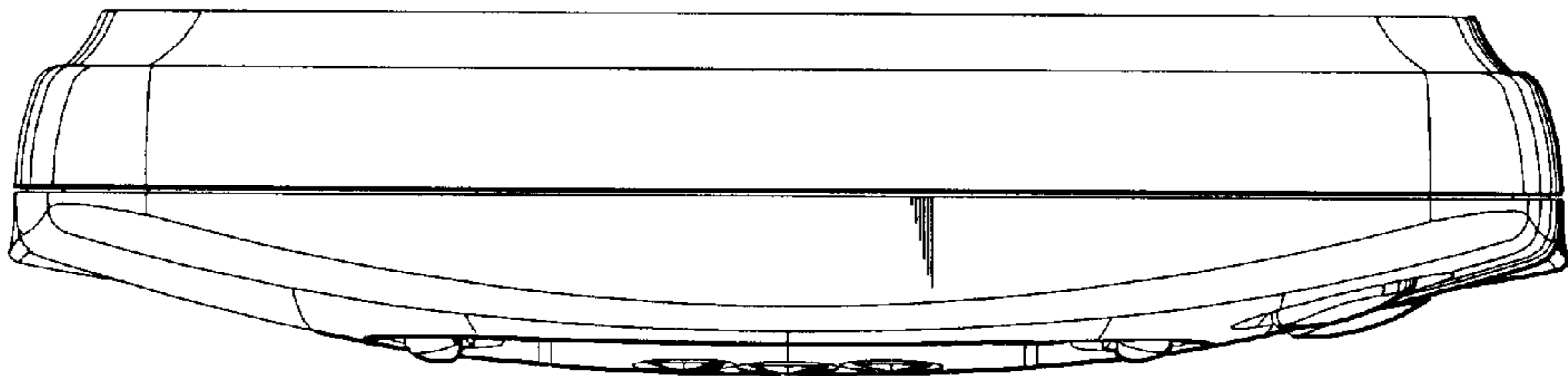


Fig. 7

