



US00D489004S

(12) **United States Design Patent**
Parman

(10) **Patent No.:** **US D489,004 S**

(45) **Date of Patent:** **** Apr. 27, 2004**

(54) **TUB WITH LID**
(75) Inventor: **Lisa Parman**, Rotterdam (NL)
(73) Assignee: **Unilever Bestfoods, North America,**
division of Conopco, Inc., Englewood
Cliffs, NJ (US)
(**) Term: **14 Years**

2,816,589 A * 12/1957 Tupper 220/780
D241,399 S * 9/1976 Christian D9/428
D244,246 S * 5/1977 Daenen D9/428
4,471,880 A * 9/1984 Taylor et al. 220/792
D281,754 S * 12/1985 Trombly D7/540
D329,782 S * 9/1992 Narsutis D7/629
5,409,128 A * 4/1995 Mitchell 206/508
D358,302 S * 5/1995 Van Valkenburg et al. .. D7/629
D404,262 S * 1/1999 McGill D7/629
D459,225 S * 6/2002 Baxter et al. D9/428

(21) Appl. No.: **29/177,518**
(22) Filed: **Mar. 11, 2003**

* cited by examiner

Primary Examiner—Prabhakar Deshmukh
(74) *Attorney, Agent, or Firm*—Gerard J. McGowan, Jr.

(30) **Foreign Application Priority Data**

Sep. 11, 2002 (GB) 3006958

(51) **LOC (7) Cl.** **09-03**
(52) **U.S. Cl.** **D9/428; D9/425; D9/429**
(58) **Field of Search** D9/420–425, 428,
D9/429, 414; D7/602, 629, 540, 550.1;
D3/273; 206/508, 518, 541; 220/4.26, 556,
675, 657, 659; 229/400–407, 902–906;
426/106

(57) **CLAIM**

The ornamental design for a tub with lid, as shown and described.

DESCRIPTION

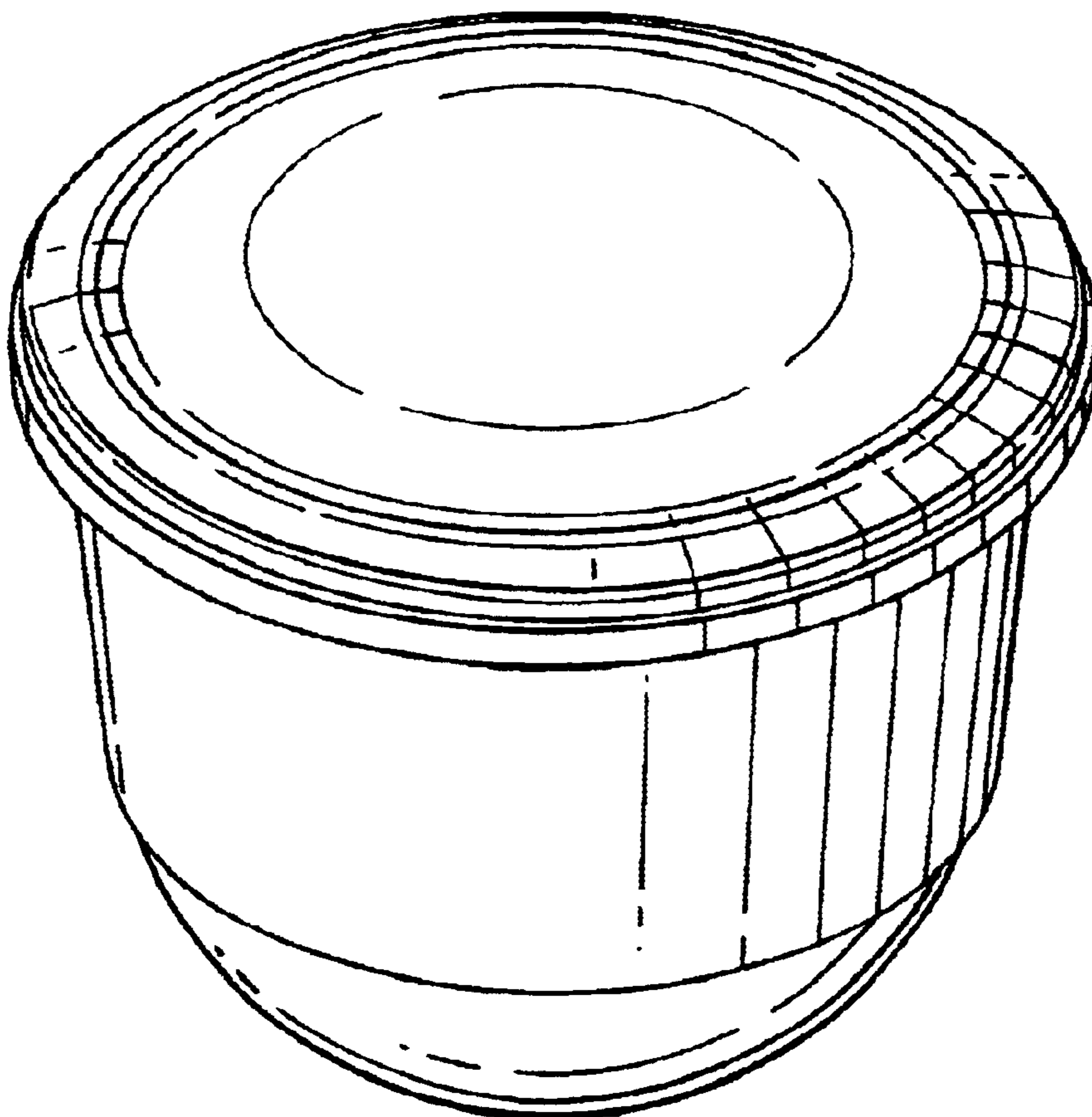
FIG. 1 is a perspective view from the above showing a new design;
FIG. 2 is a fragmentary section in the direction of arrows 2—2 in FIG. 3 thereof;
FIG. 3 is a side view thereof (all other sides corresponds);
and,
FIG. 4 is an underneath plan view thereof.

(56) **References Cited**

U.S. PATENT DOCUMENTS

1,587,167 A * 6/1926 Marsden 206/518

1 Claim, 2 Drawing Sheets



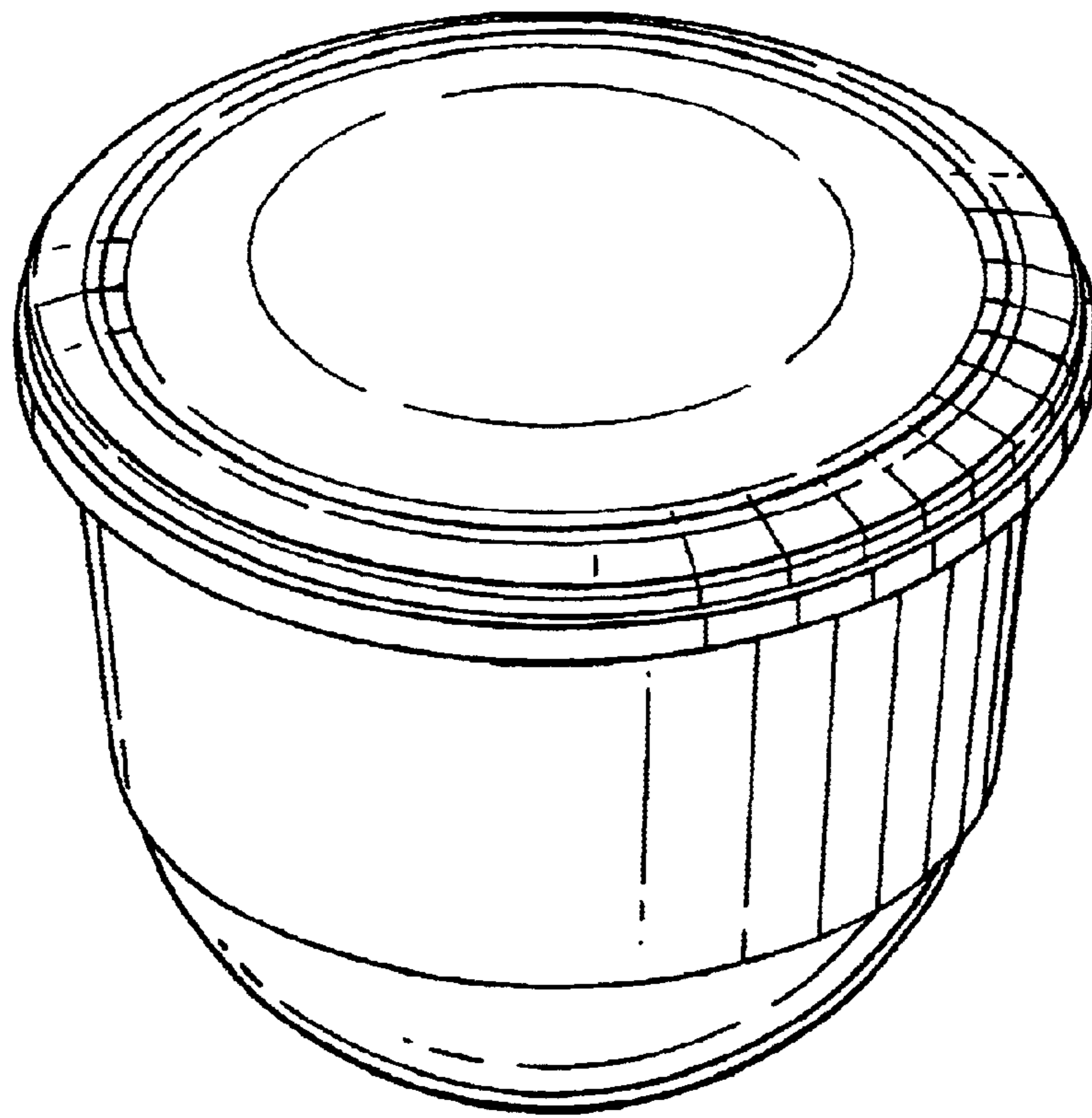


Fig. 1.

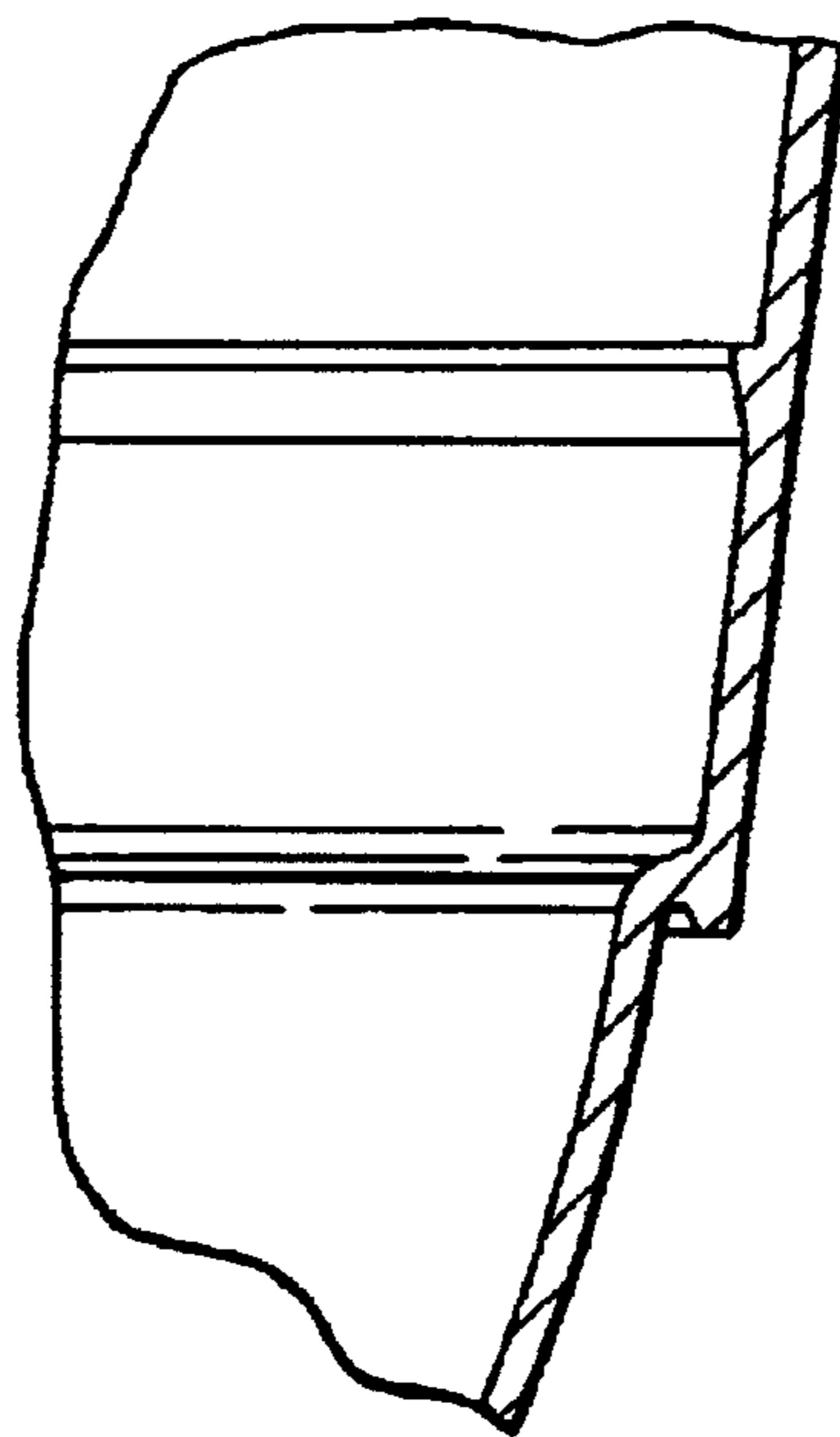


Fig. 2.

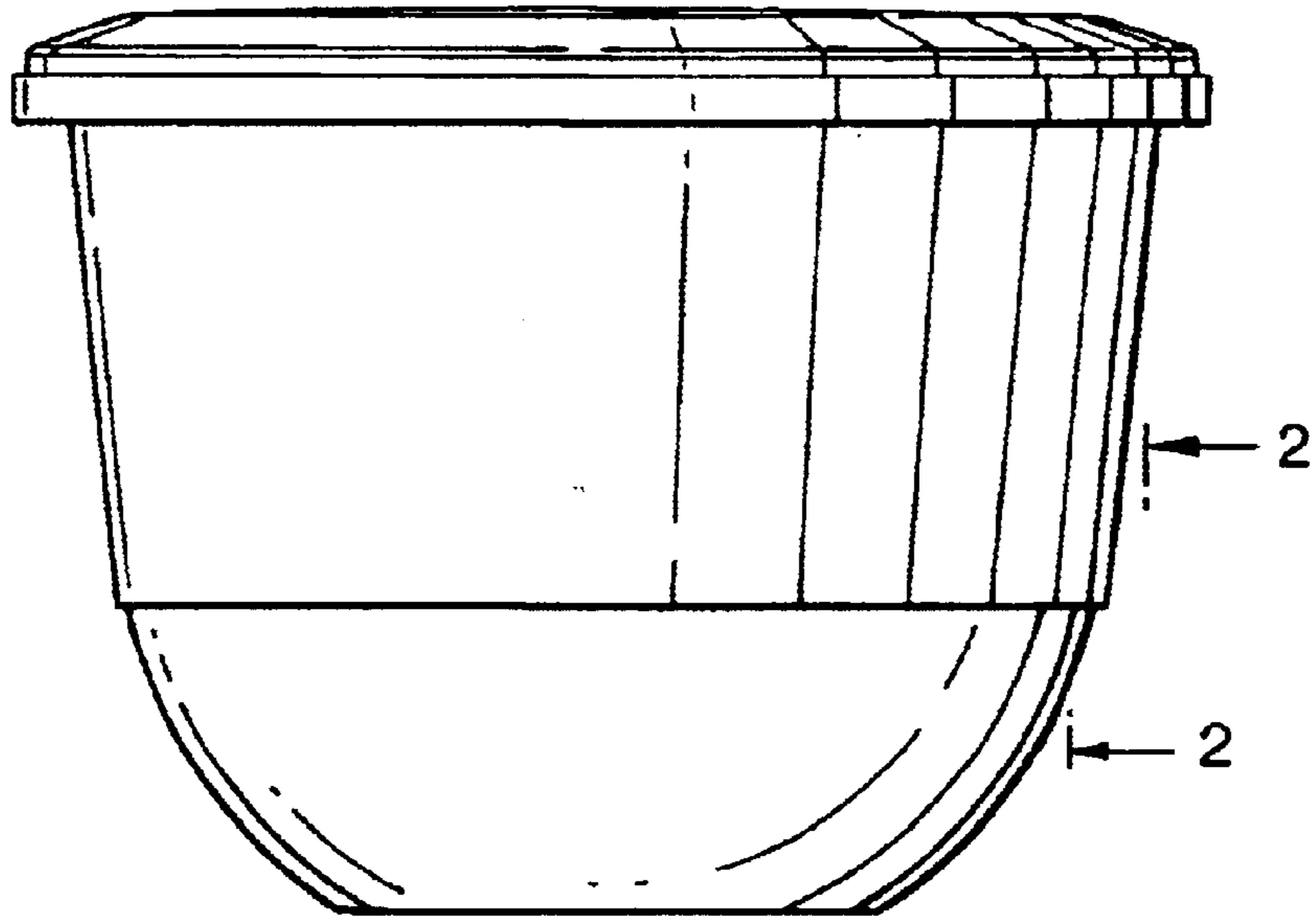


Fig.3.

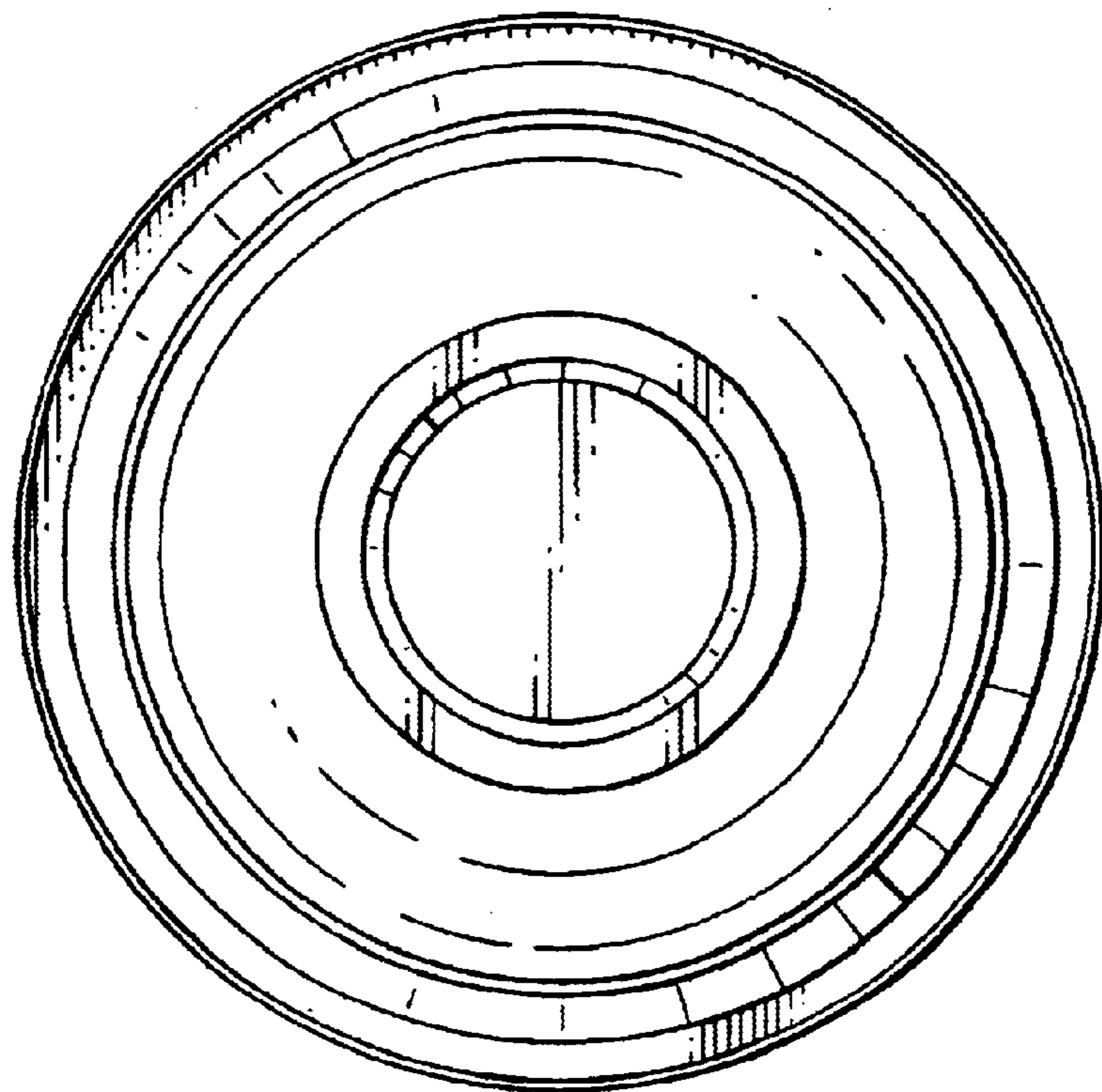


Fig.4.