



US00D489001S

(12) **United States Design Patent**
Martin

(10) **Patent No.:** **US D489,001 S**

(45) **Date of Patent:** **** Apr. 27, 2004**

(54) **BARBELL BOTTLE**

(76) Inventor: **Kevin P. Martin**, 409 E. 8th Ave.,
Suite A, Naperville, IL (US) 60563

(**) Term: **14 Years**

(21) Appl. No.: **29/172,704**

(22) Filed: **Dec. 17, 2002**

(51) **LOC (7) Cl.** **09-01**

(52) **U.S. Cl.** **D9/307; D9/503**

(58) **Field of Search** D9/307, 500-504,
D9/549, 556, 557, 559; D21/681; 215/379-384,
400; 482/106, 108

(56) **References Cited**

U.S. PATENT DOCUMENTS

D317,256 S * 6/1991 Samuels D9/503
D337,522 S * 7/1993 Kingsbury D9/307

5,620,112 A * 4/1997 Brown 482/108

5,857,946 A * 1/1999 Brown 482/108

6,132,344 A * 10/2000 Vanderbleek 482/108

D456,705 S * 5/2002 Vijn D9/307

D465,151 S * 11/2002 Mixon D9/307

* cited by examiner

Primary Examiner—Sandra L. Morris

(74) *Attorney, Agent, or Firm*—H. Gordon Shields

(57) **CLAIM**

The ornamental design for barbell bottle, as shown and described.

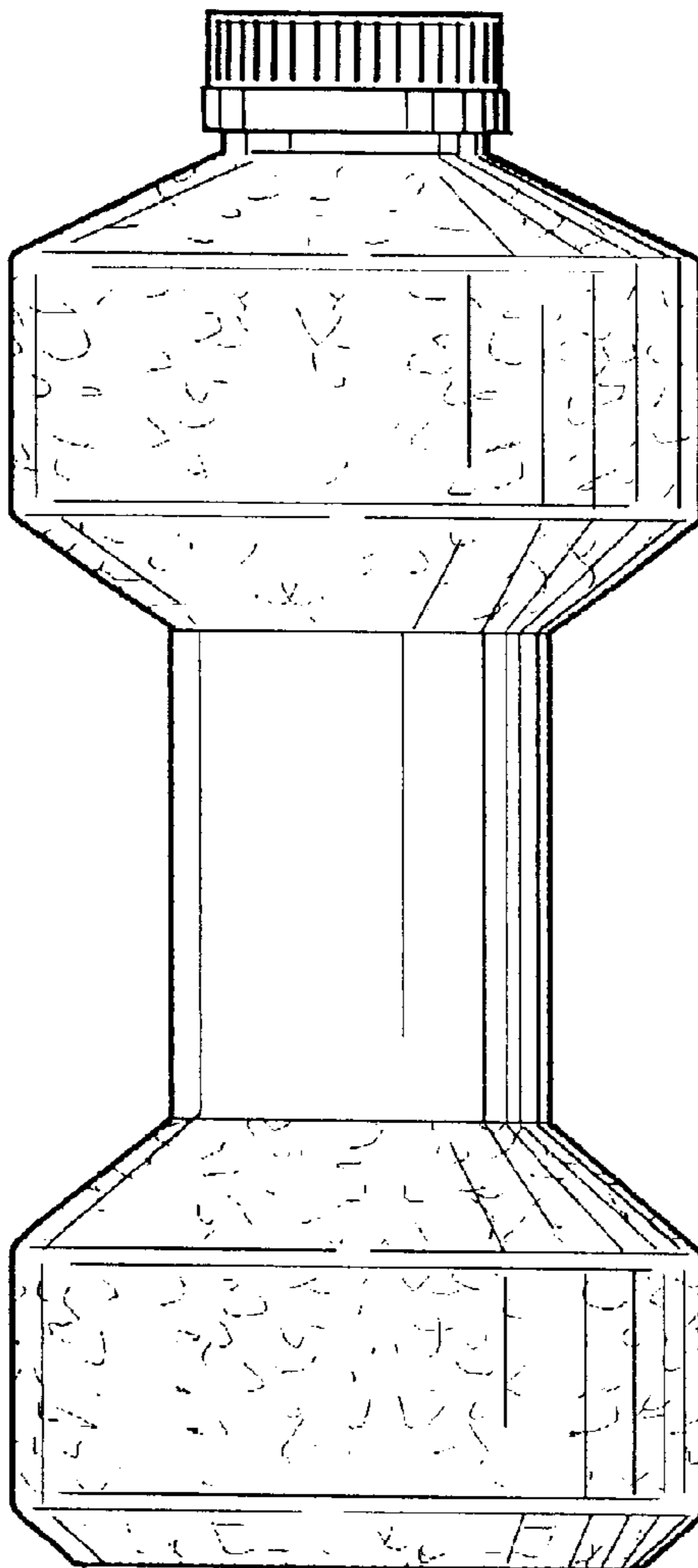
DESCRIPTION

FIG. 1 is a top view of a barbell bottle illustrating my new ornamental design.

FIG. 2 is a bottom view thereof; and,

FIG. 3 is a side view thereof.

1 Claim, 1 Drawing Sheet



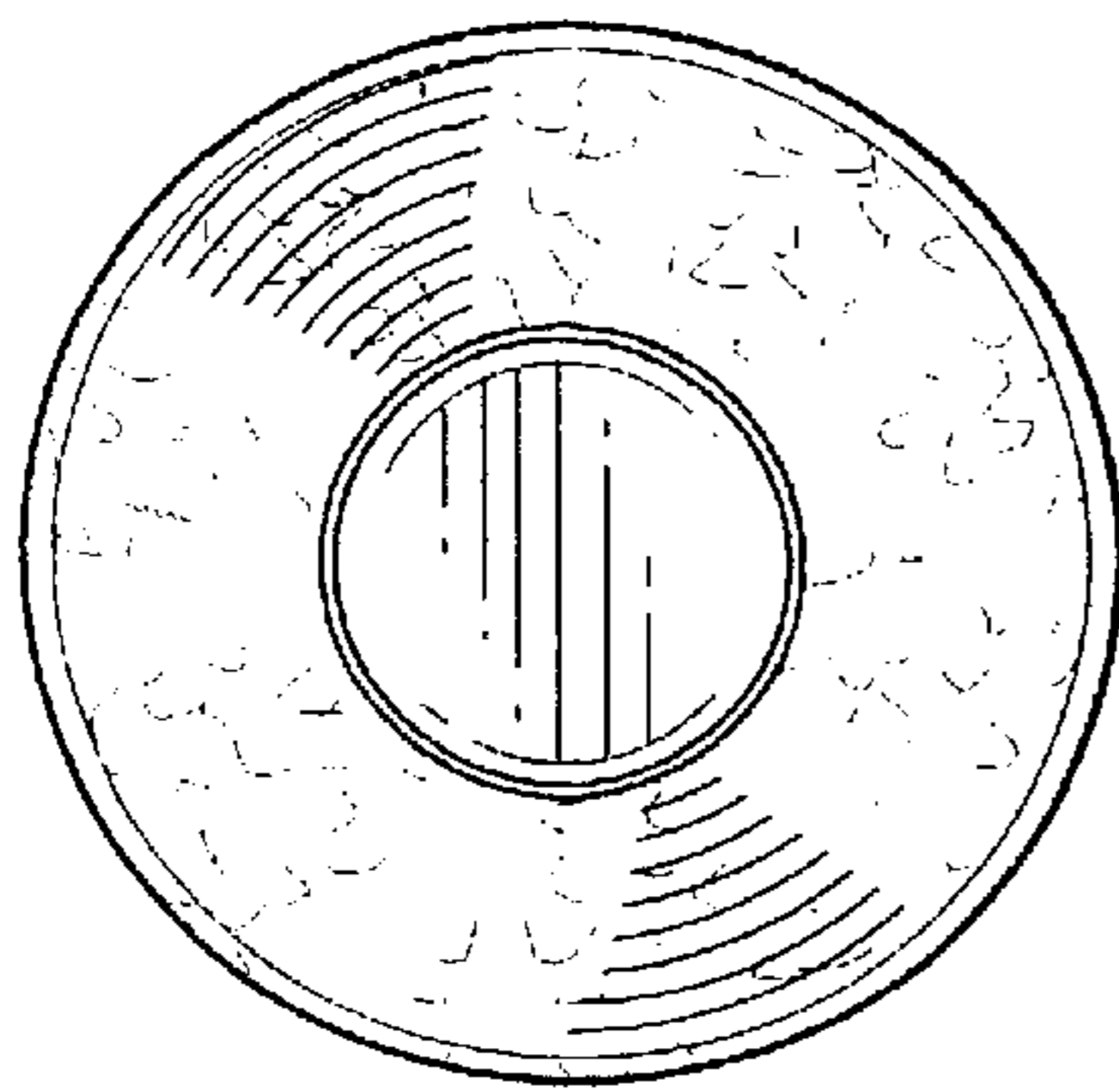


FIG. 1.

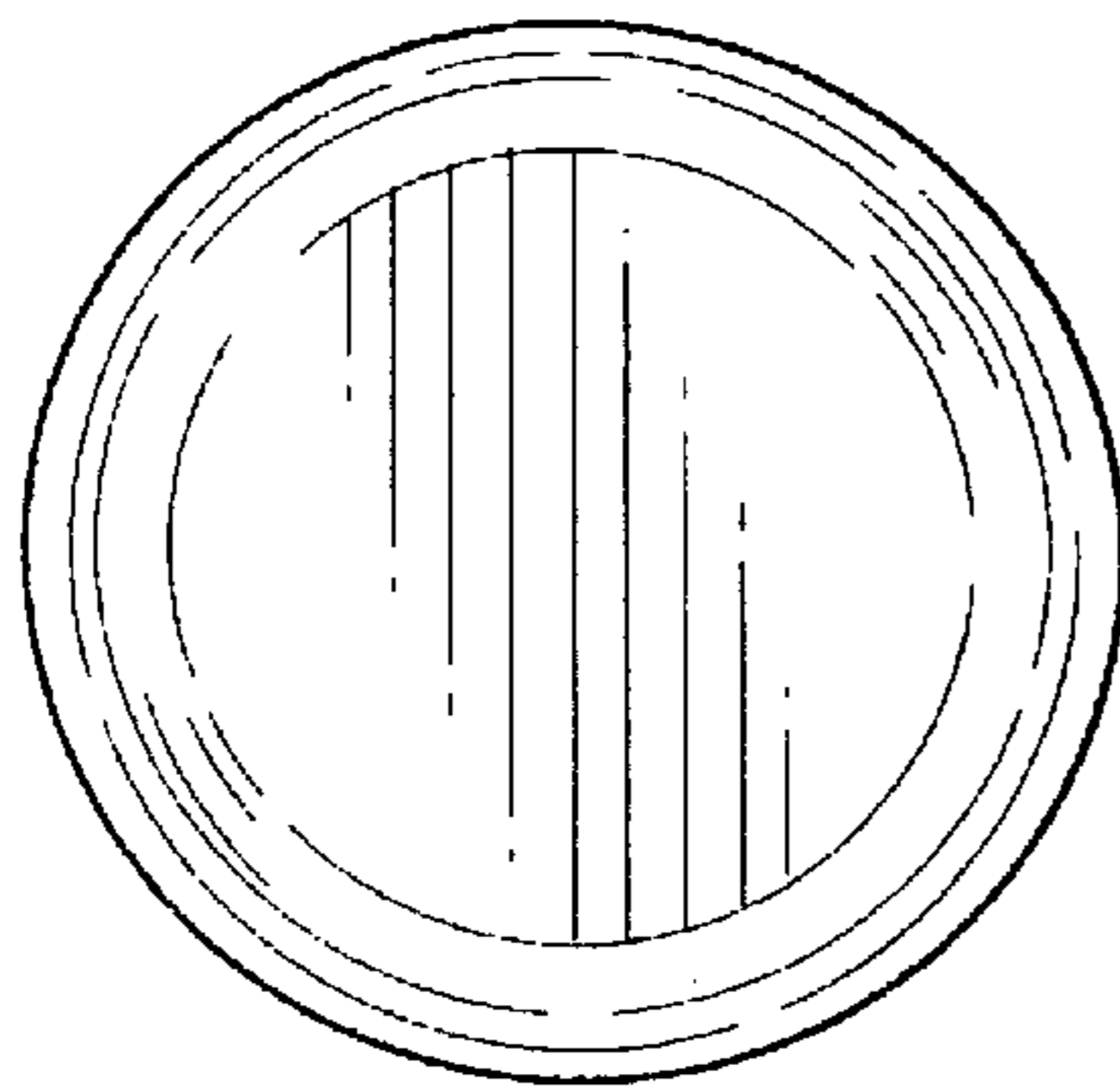


FIG. 2.

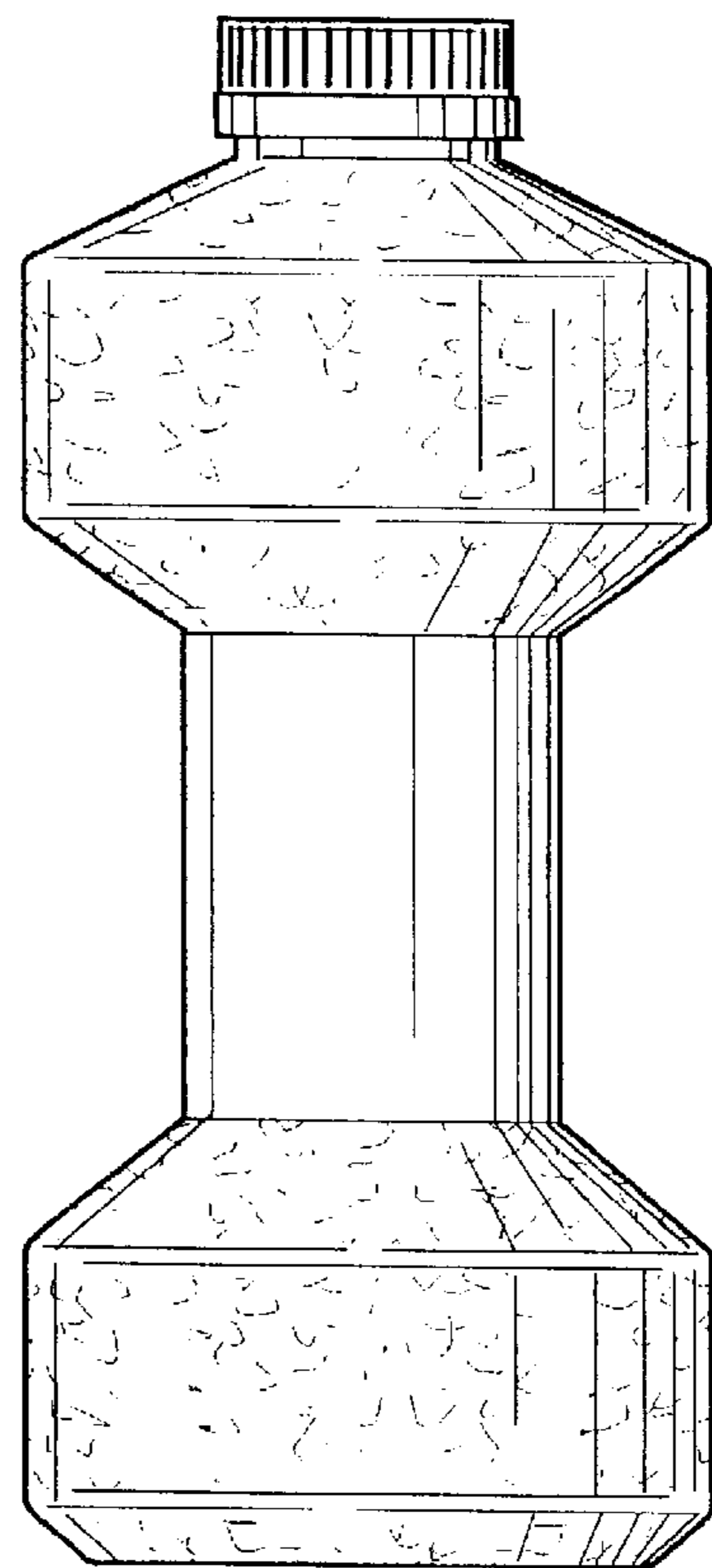


FIG. 3.