



US00D489000S

(12) **United States Design Patent**  
**Ellery**

(10) **Patent No.:** **US D489,000 S**

(45) **Date of Patent:** **\*\* \*Apr. 27, 2004**

(54) **BELL TYPE PIPE HANGER**

6,406,003 B1 \* 6/2002 Shaw ..... 256/36

(75) Inventor: **Michael K. Ellery**, W. Warwick, RI (US)

\* cited by examiner

*Primary Examiner*—Louis S. Zarfaz

*Assistant Examiner*—Deanne Levy

(73) Assignee: **Warwick Hanger Co.**, West Warwick, RI (US)

(74) *Attorney, Agent, or Firm*—Barlow, Josephs & Holmes, Ltd.

(\* ) Notice: This patent is subject to a terminal disclaimer.

(57) **CLAIM**

(\*\*) Term: **14 Years**

The ornamental design for a bell type pipe hanger, as shown and described.

(21) Appl. No.: **29/149,057**

**DESCRIPTION**

(22) Filed: **Oct. 1, 2001**

FIG. 1 is a perspective view showing a first embodiment of my new design for a pipe hanger;

(51) **LOC (7) Cl.** ..... **08-08**

FIG. 2 is a front view thereof;

(52) **U.S. Cl.** ..... **D8/396**

FIG. 3 is a top view thereof;

(58) **Field of Search** ..... D8/349, 352, 382, D8/394, 396, 397; 248/62, 510, 49-51, 58, 59, 61, 71-73, 74.1, 317, 74.4; 24/16 R

FIG. 4 is a right side view thereof;

FIG. 5 is a bottom view thereof;

FIG. 6 is a rear view thereof;

(56) **References Cited**

**U.S. PATENT DOCUMENTS**

|             |   |         |                 |       |          |
|-------------|---|---------|-----------------|-------|----------|
| 539,462 A   | * | 5/1895  | Weiant          | ..... | 248/74.4 |
| 558,391 A   | * | 4/1896  | Israel          | ..... | 248/74.4 |
| 2,111,357 A | * | 3/1938  | Cornell, Jr.    | ..... | 248/59   |
| 2,557,370 A | * | 6/1951  | Bussman         | ..... | 248/71   |
| 4,407,479 A | * | 10/1983 | Combe           | ..... | 248/59   |
| 4,767,087 A | * | 8/1988  | Combu           | ..... | 248/62   |
| 4,784,363 A | * | 11/1988 | Brown et al.    | ..... | 248/62   |
| 6,131,859 A | * | 10/2000 | Giuliano        | ..... | 248/62   |
| 6,152,412 A | * | 11/2000 | Basickes et al. | ..... | 248/317  |
| D448,657 S  | * | 10/2001 | Calvert         | ..... | D8/396   |

FIG. 7 is a perspective view thereof in an open position;

FIG. 8 is a perspective view showing a second embodiment of my new design for a pipe hanger;

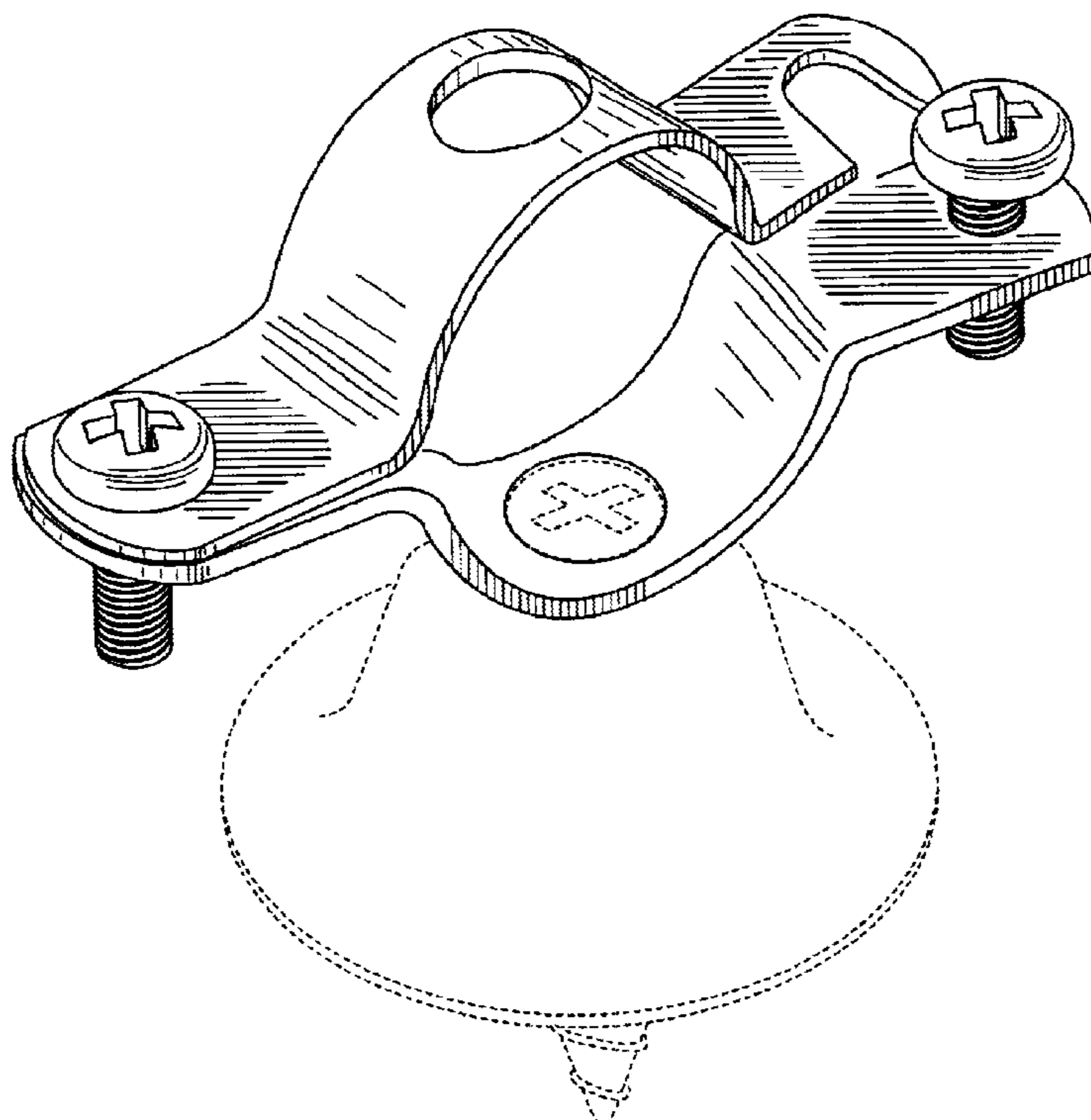
FIG. 9 is an end view of the second embodiment of my new design, both ends being the same;

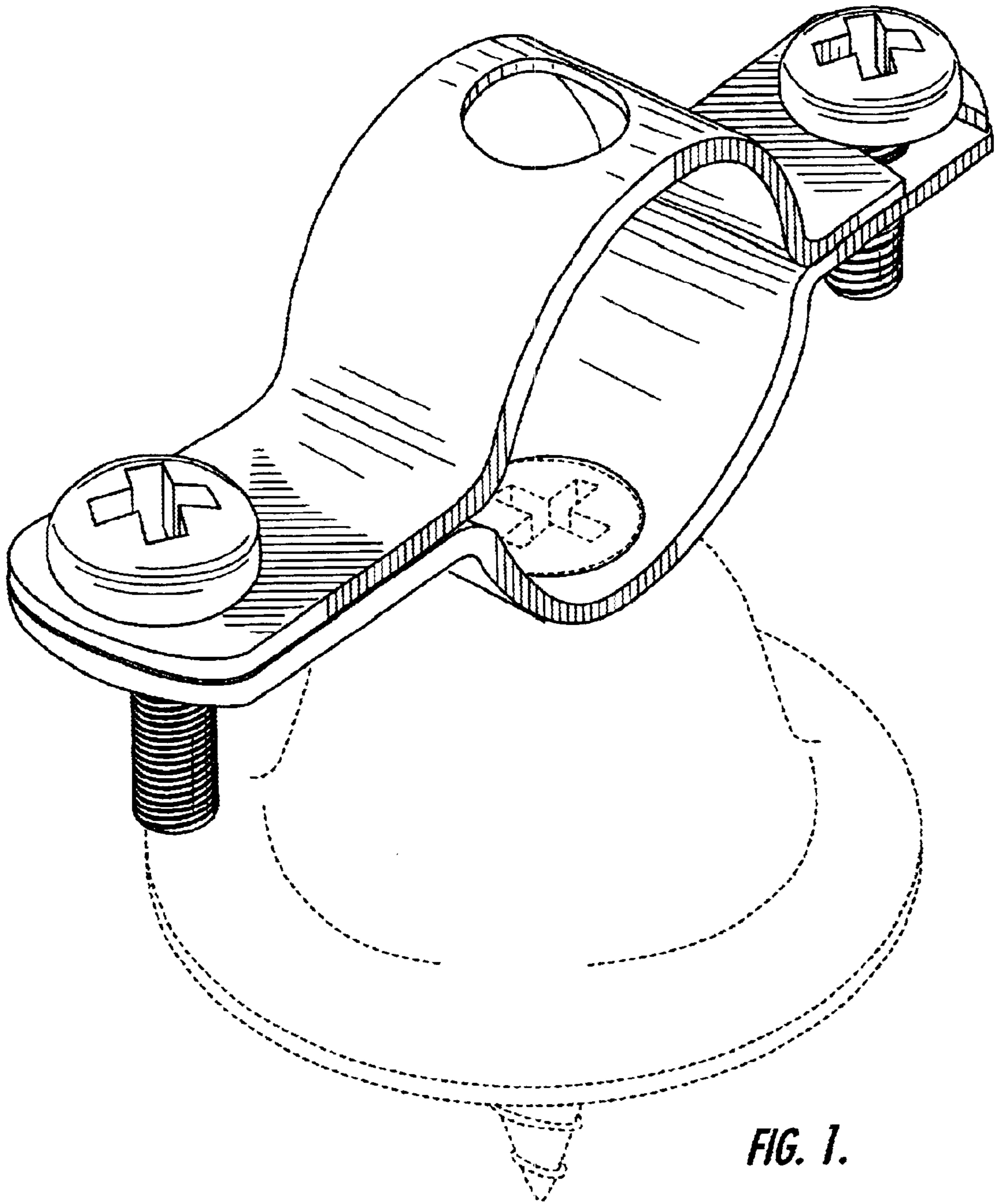
FIG. 10 is a top view of the second embodiment of my new design; and,

FIG. 11 is a side view of the second embodiment of my new design, both sides being the same.

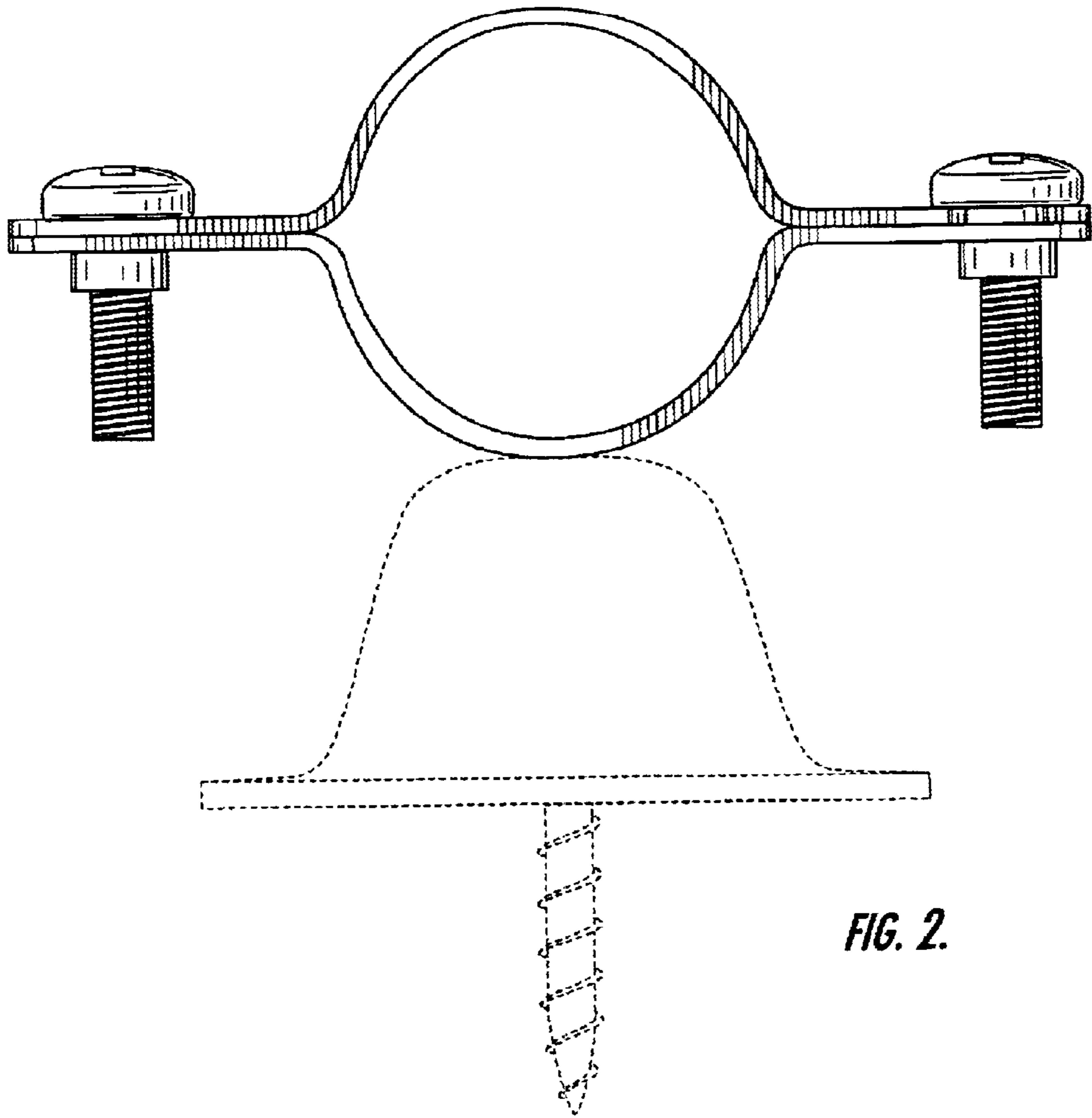
The material shown in dotted line is included for illustration and environmental purposes only and is not intended to form a part of the illustrated design.

**1 Claim, 8 Drawing Sheets**

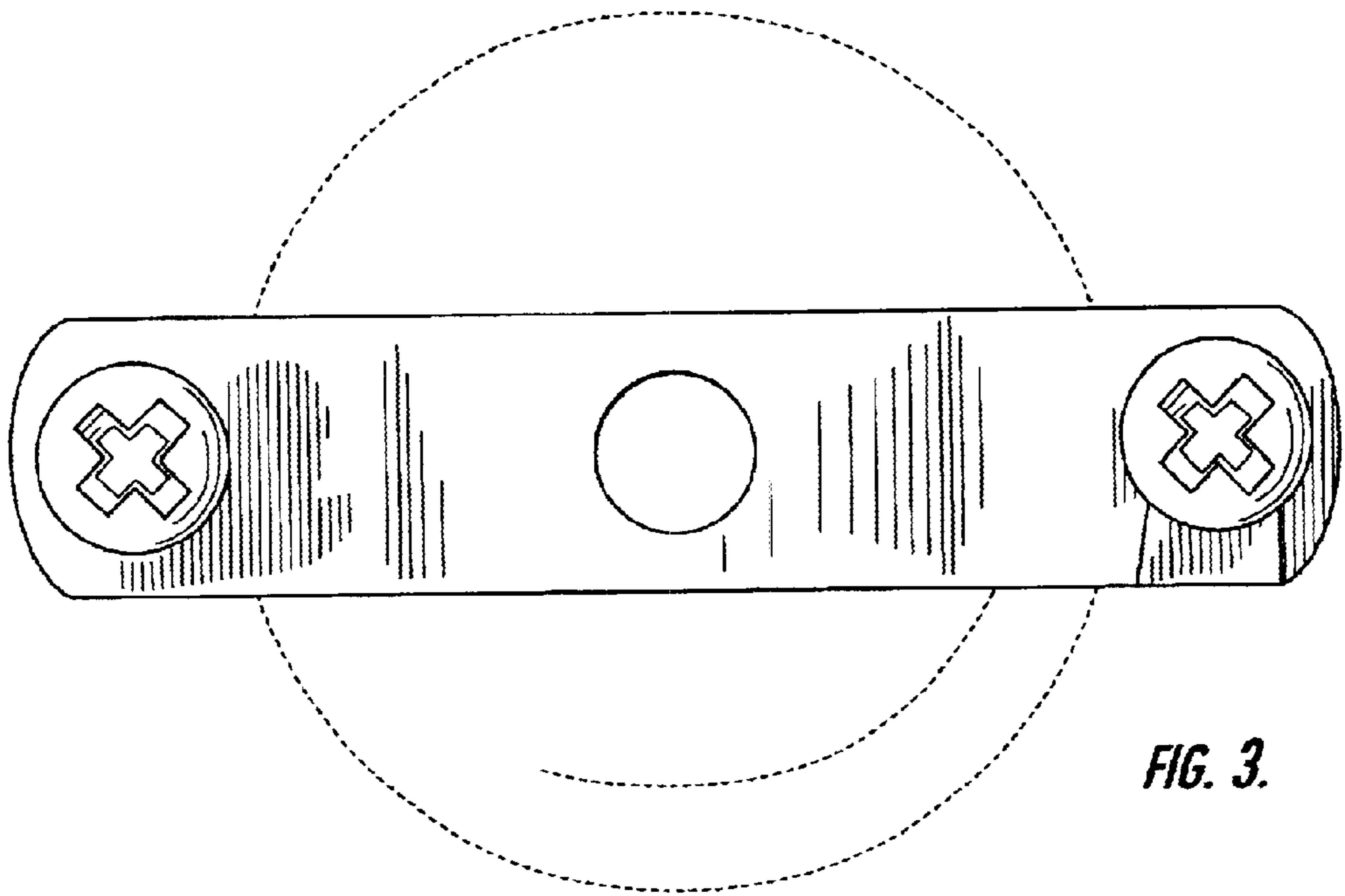




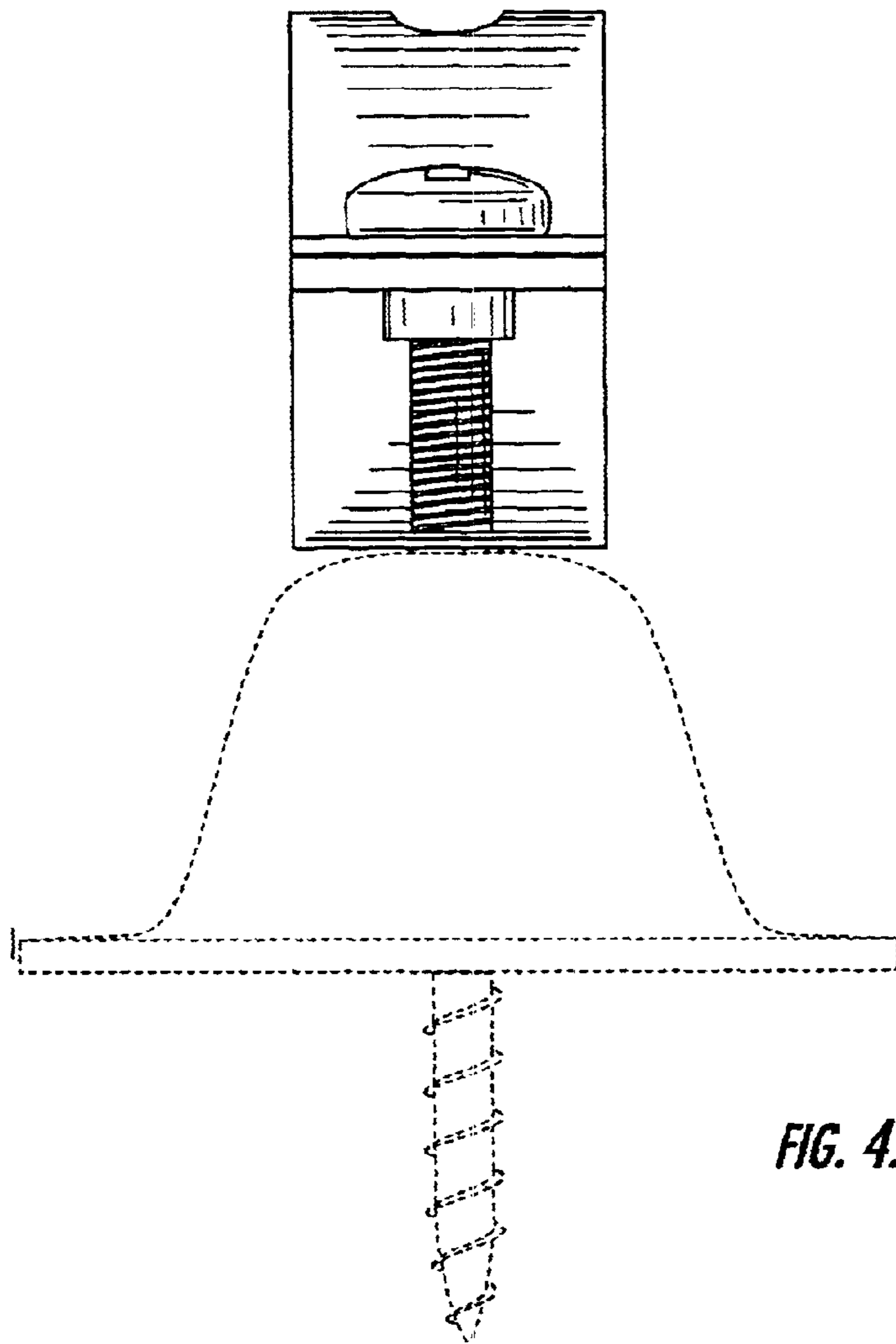
**FIG. 1.**



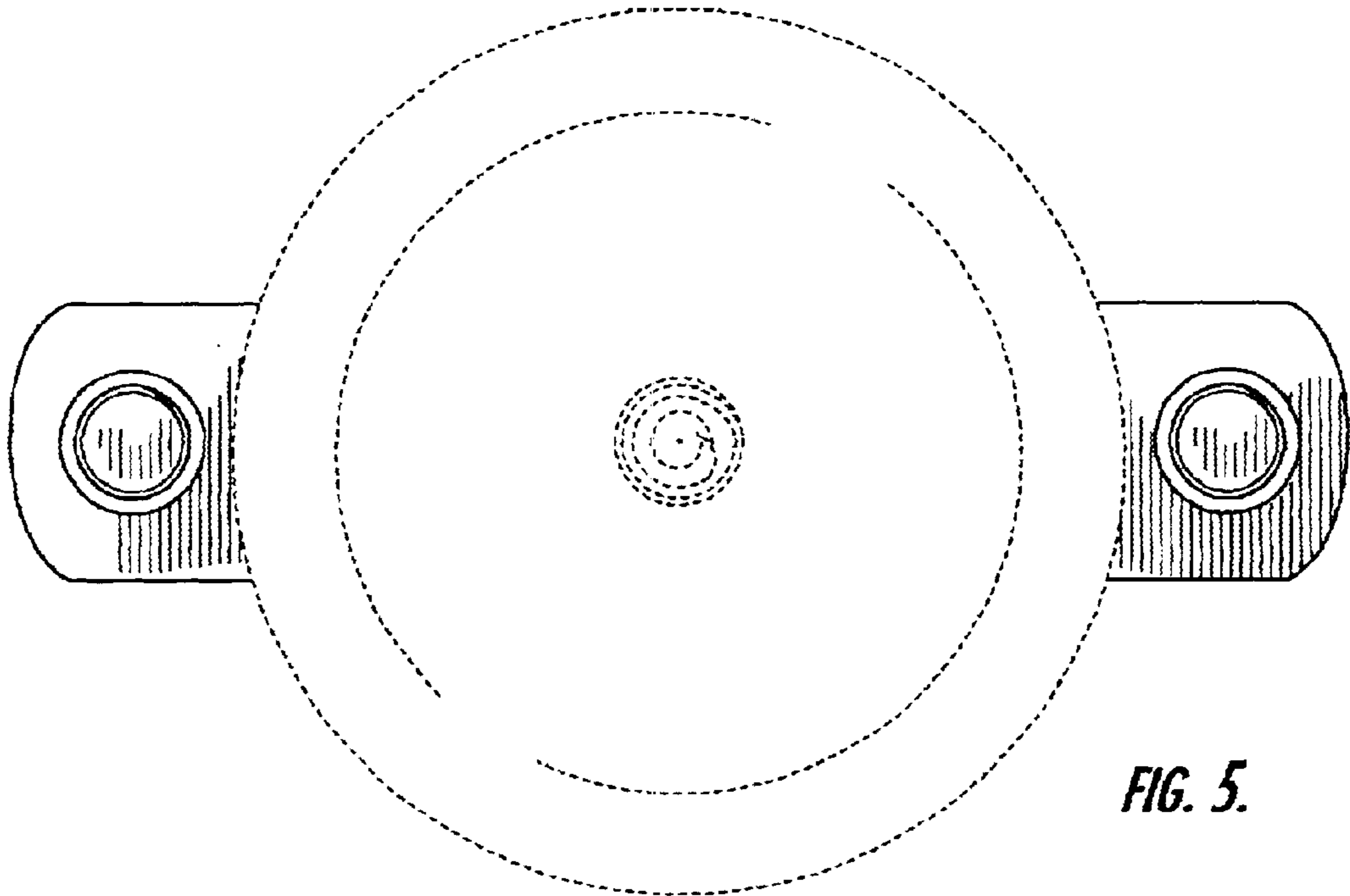
**FIG. 2.**



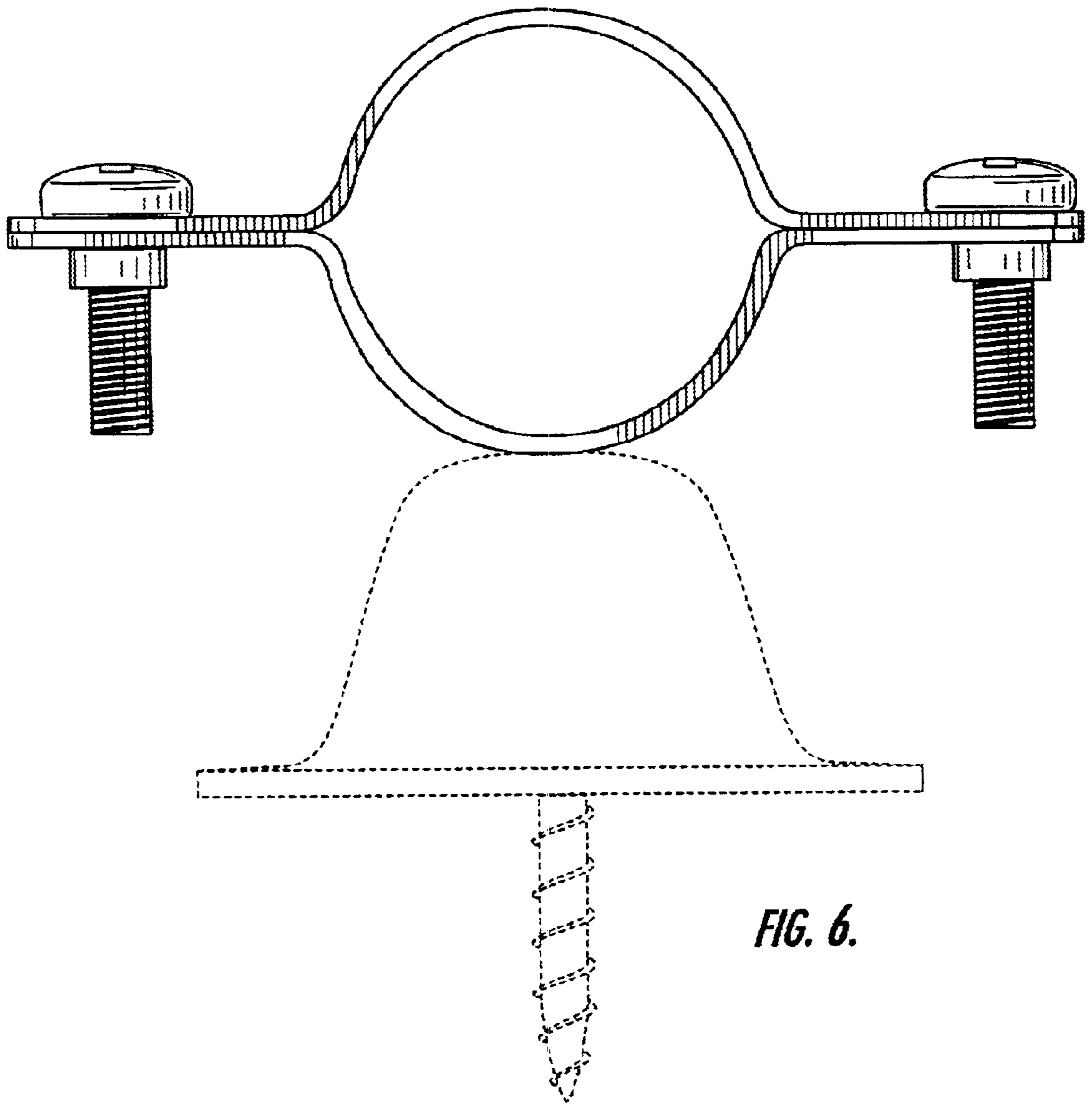
**FIG. 3.**



**FIG. 4.**



**FIG. 5.**



**FIG. 6.**

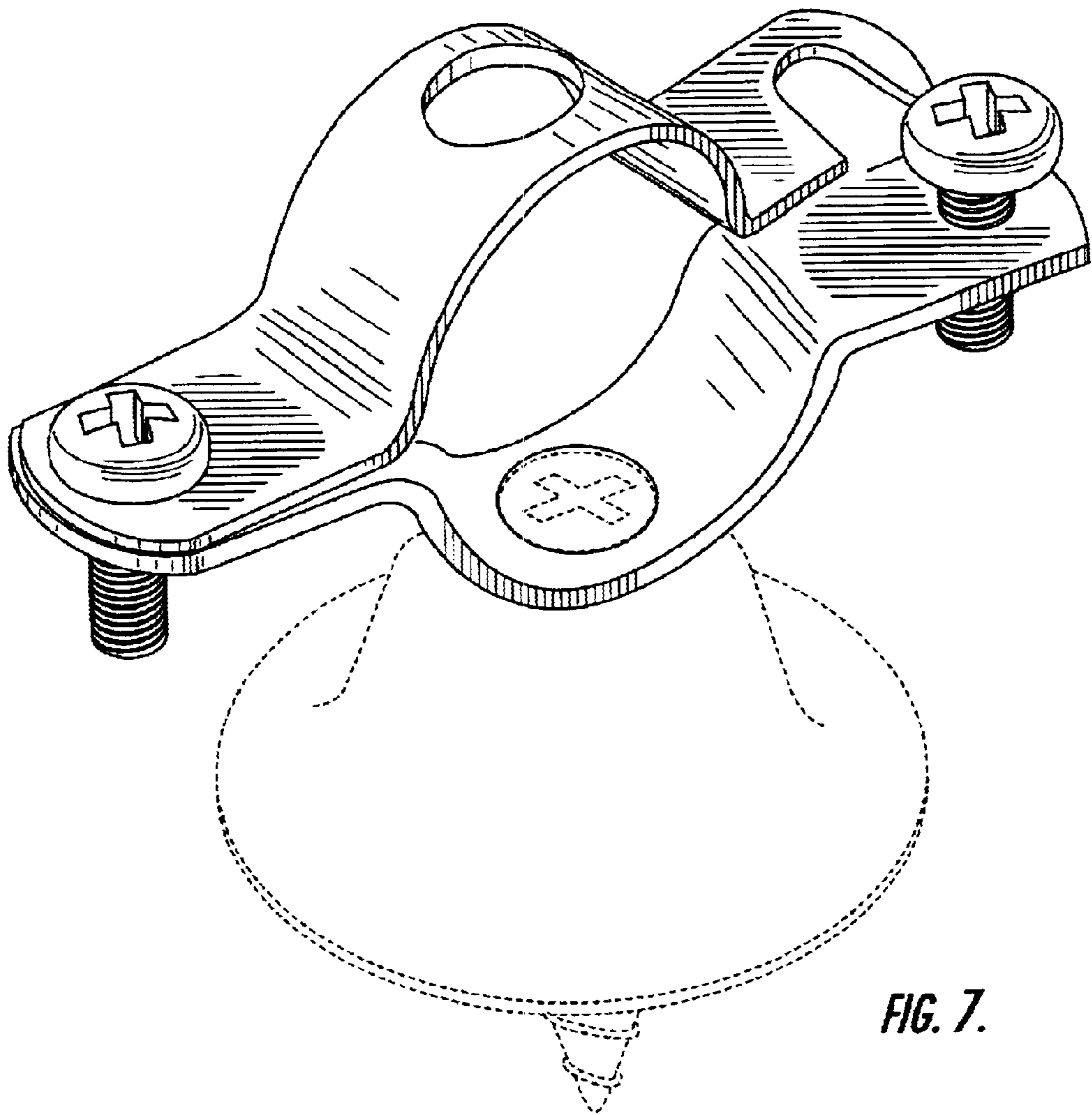


FIG. 7.

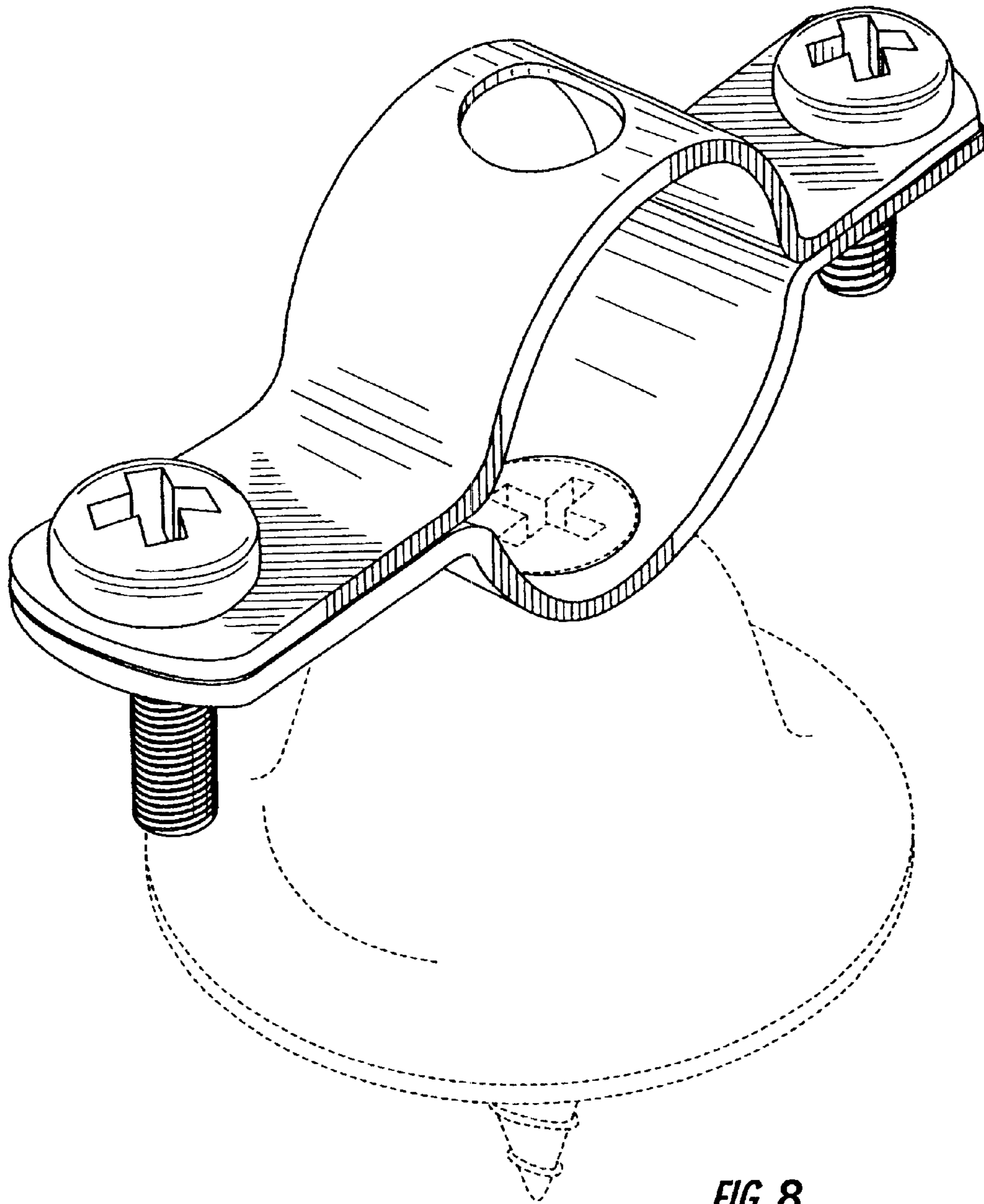


FIG. 8.

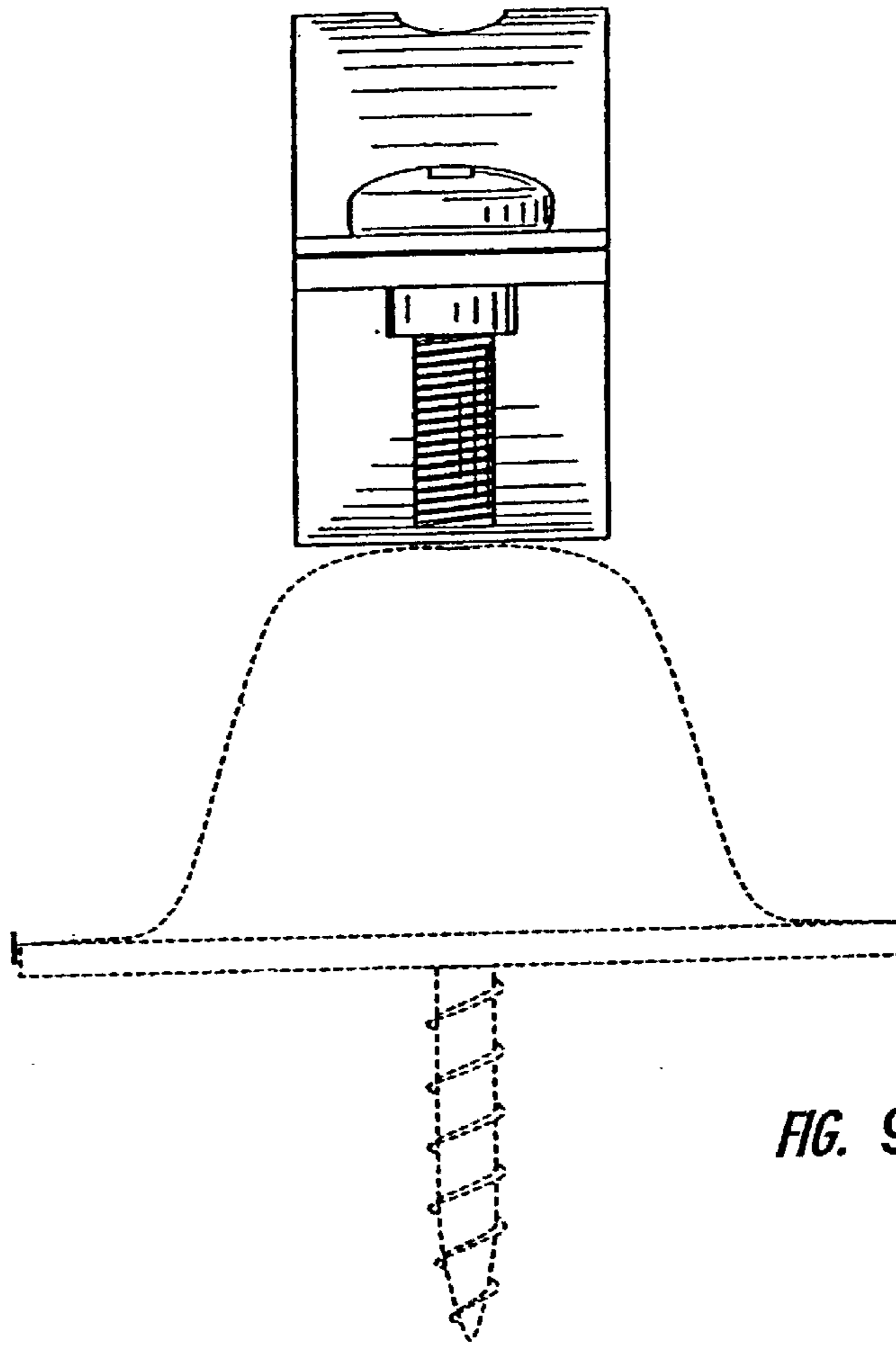


FIG. 9.

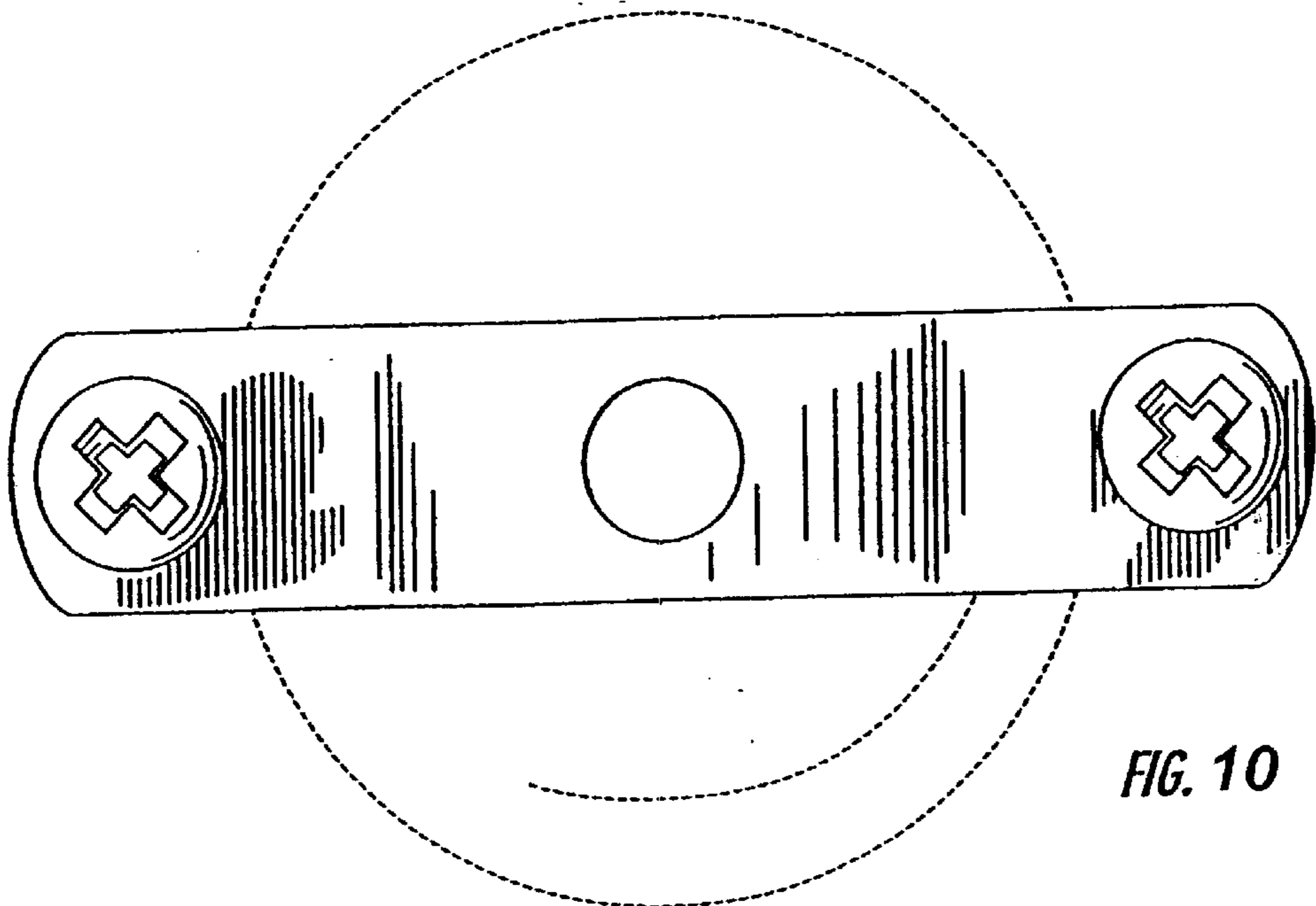
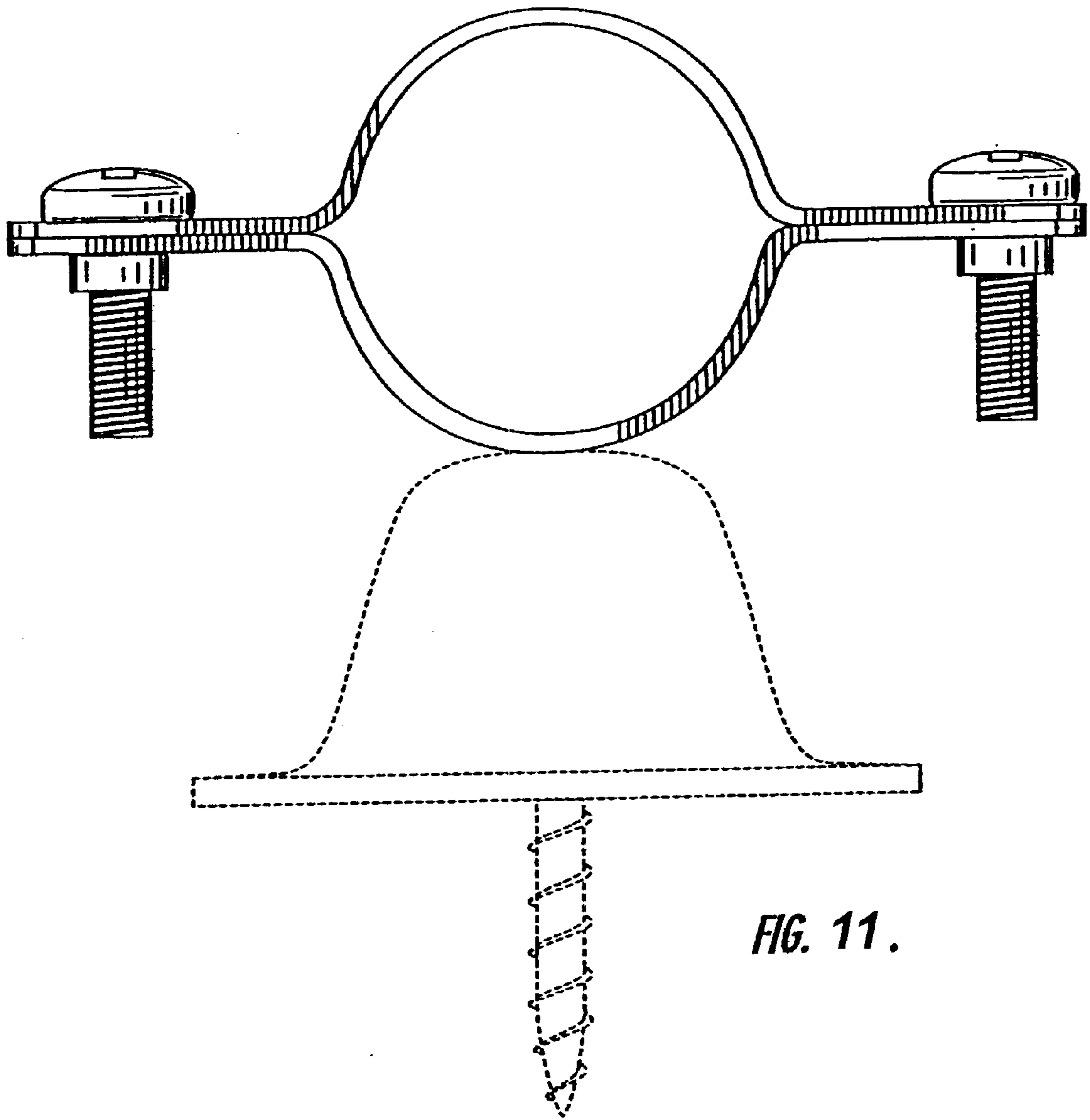


FIG. 10





**FIG. 11.**