



US00D488999S

(12) **United States Design Patent**  
**Plattner**

(10) **Patent No.:** **US D488,999 S**

(45) **Date of Patent:** **\*\* Apr. 27, 2004**

(54) **ELECTRICAL POWER POLE COUPLER**

5,681,172 A \* 10/1997 Moldenhauer ..... 439/95

5,694,695 A \* 12/1997 Lund ..... 30/296.1

D415,574 S \* 10/1999 Shrira ..... D25/61

(75) Inventor: **Bradley W. Plattner**, Kendallville, IN  
(US)

\* cited by examiner

(73) Assignee: **Pent Assemblies, Inc.**, Kendallville, IN  
(US)

*Primary Examiner*—Holly Baynham

(74) *Attorney, Agent, or Firm*—Taylor & Aust, P.C.

(\*\*) Term: **14 Years**

(57) **CLAIM**

(21) Appl. No.: **29/179,597**

The ornamental design for an electrical power pole coupler,  
as shown and described.

(22) Filed: **Apr. 11, 2003**

**DESCRIPTION**

(51) **LOC (7) Cl.** ..... **08-08**

(52) **U.S. Cl.** ..... **D8/382**

(58) **Field of Search** ..... D8/382; D13/156,  
D13/147; D25/61; 439/630; 52/726.4, 736.1,  
697; 403/205, 403, 97

FIG. 1 is a perspective view of an electrical power pole coupler showing my new design;

FIG. 2 is a top view thereof, the bottom view being substantially identical;

FIG. 3 is a front view thereof;

FIG. 4 is a side view thereof, the opposite side view being substantially identical; and,

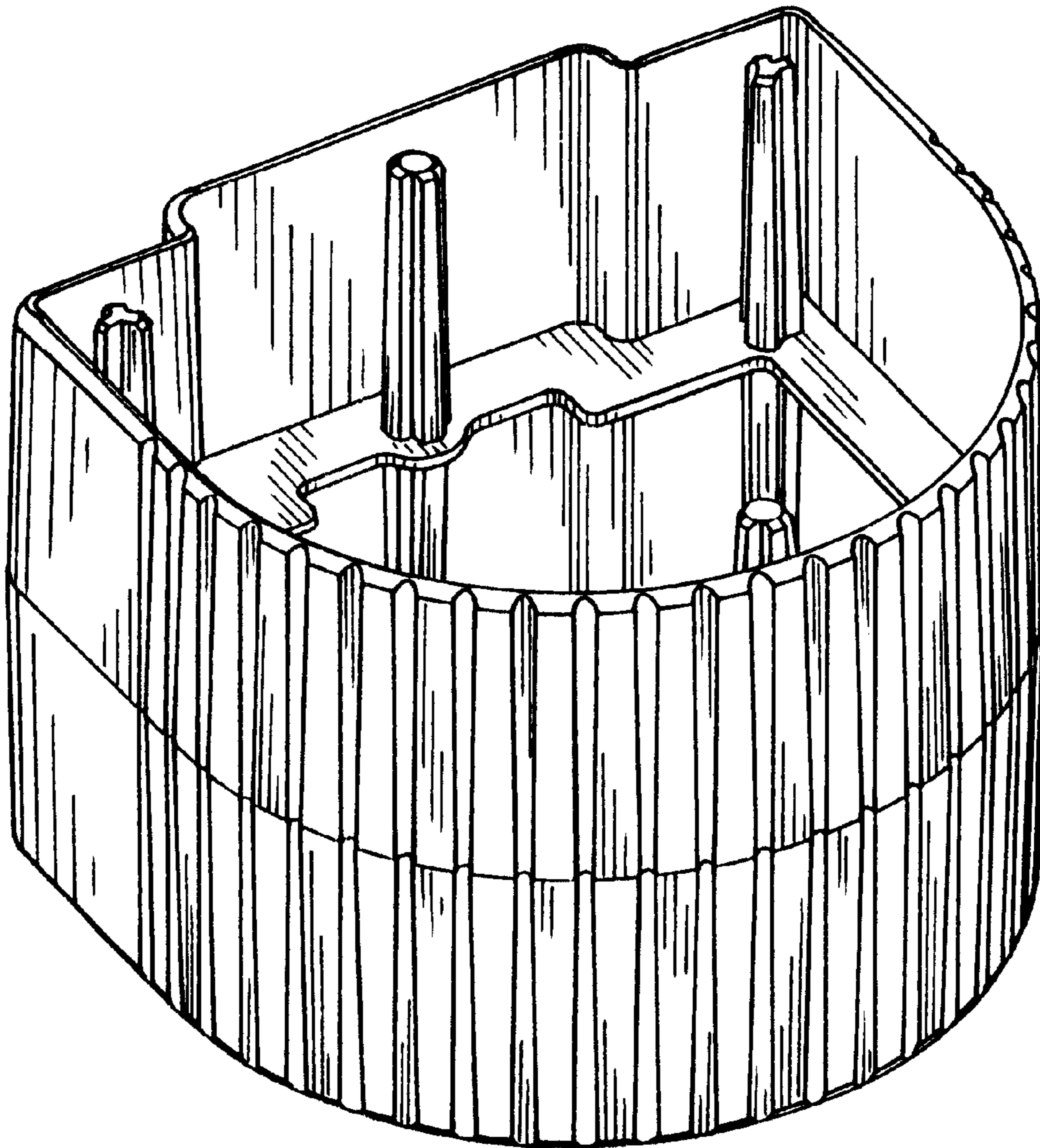
FIG. 5 is a front view thereof.

(56) **References Cited**

**U.S. PATENT DOCUMENTS**

4,048,779 A \* 9/1977 Valenziano et al. .... 52/726.4

**1 Claim, 2 Drawing Sheets**



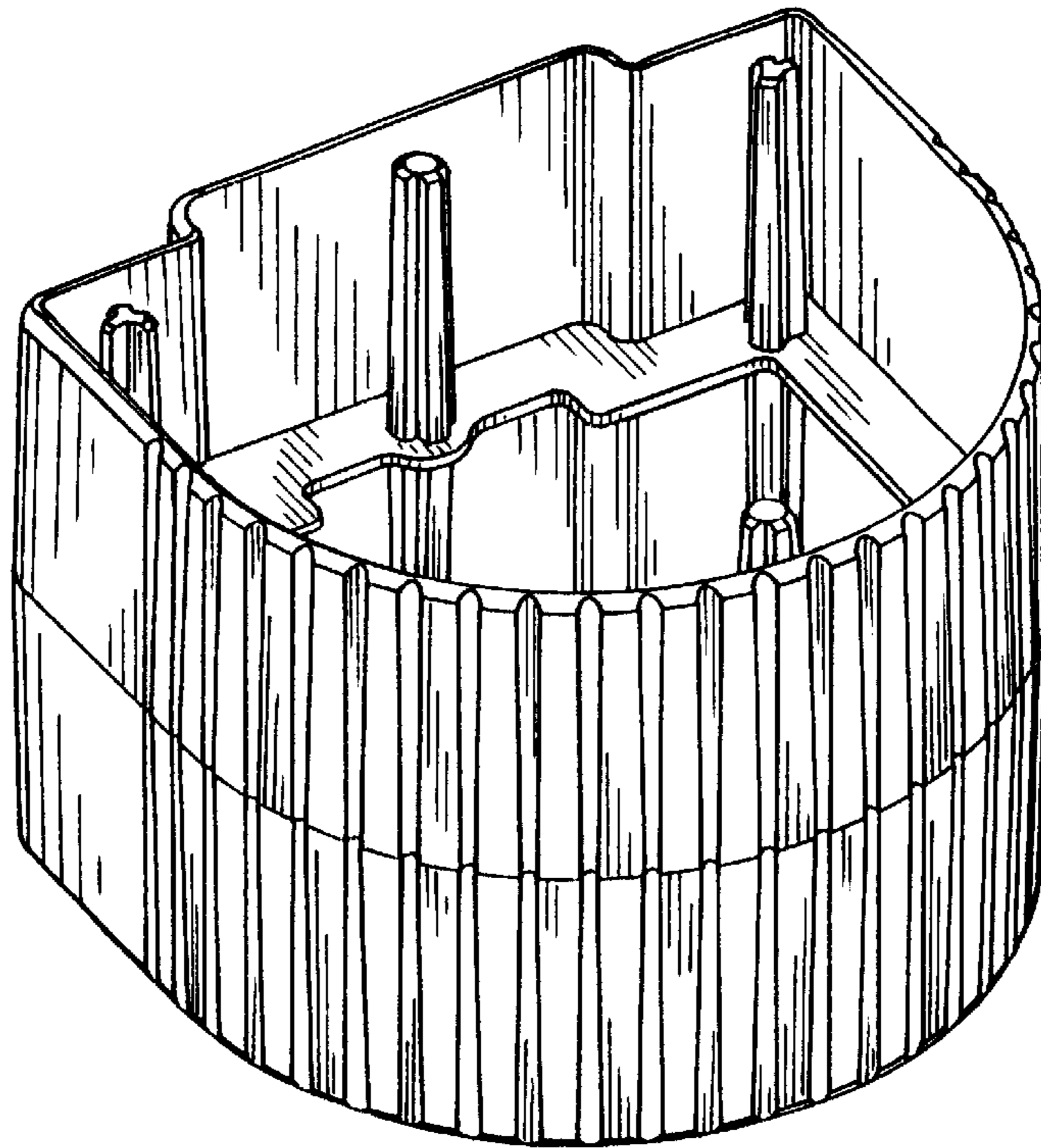


Fig. 1

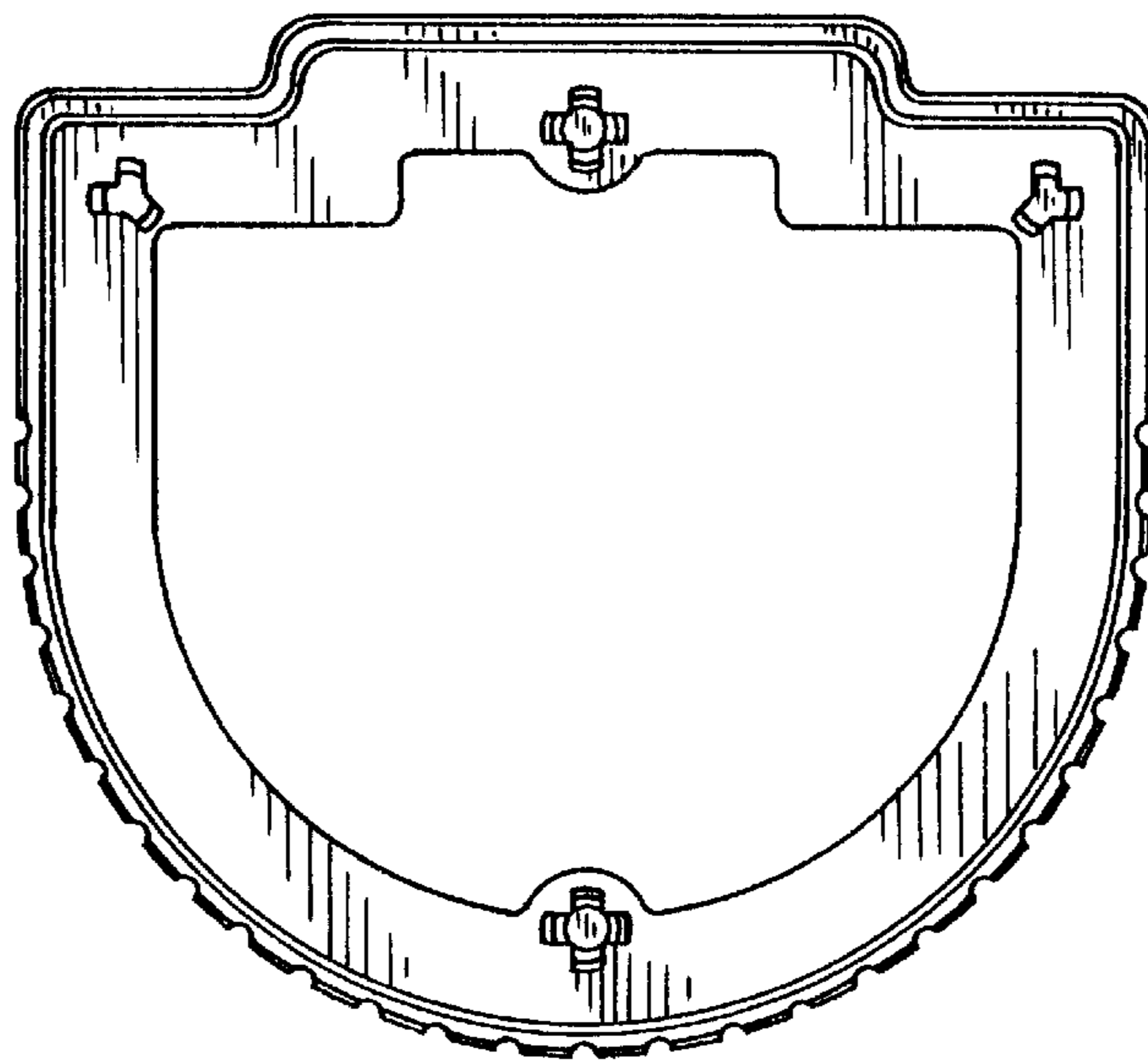


Fig. 2

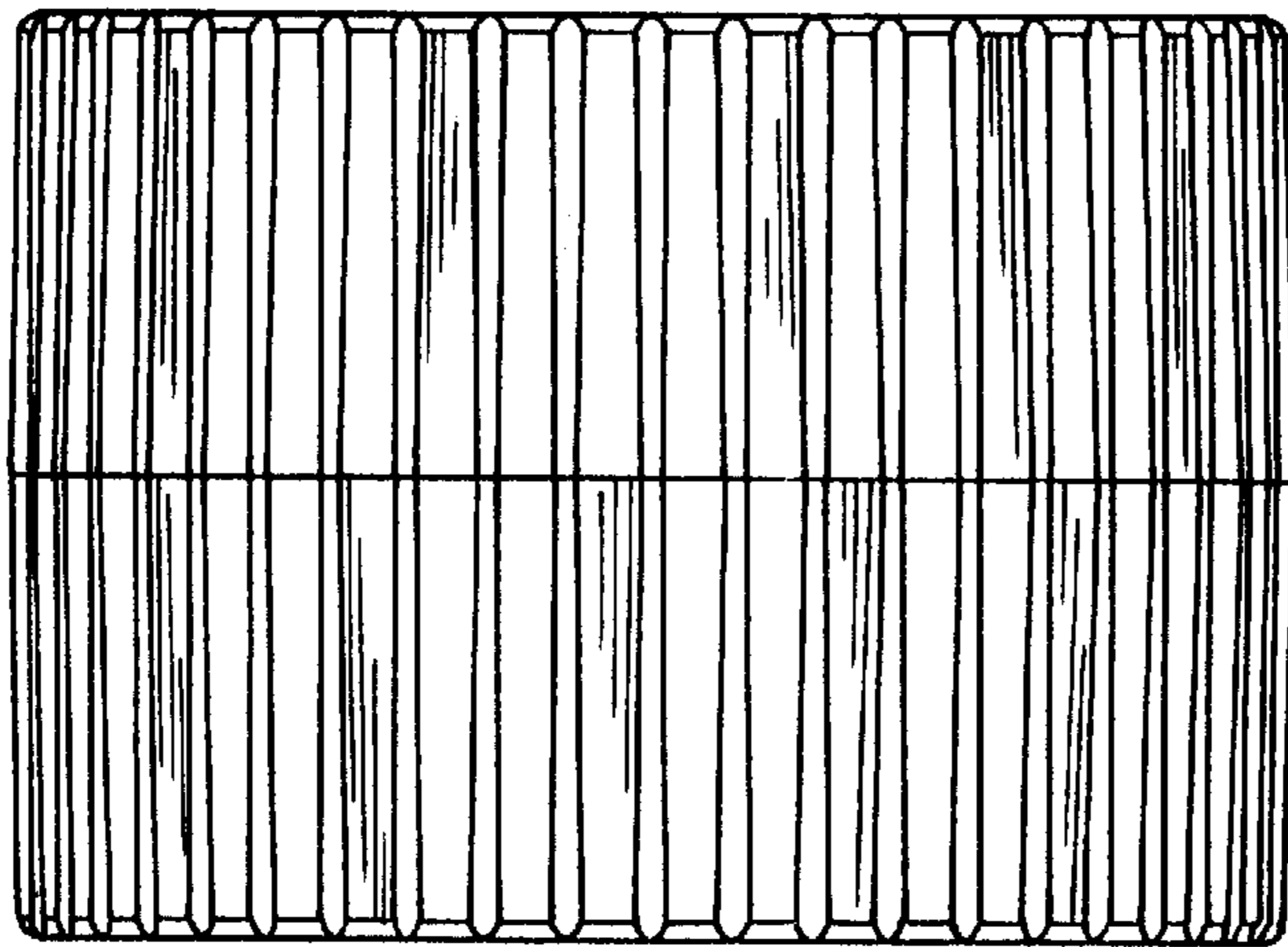


Fig. 3

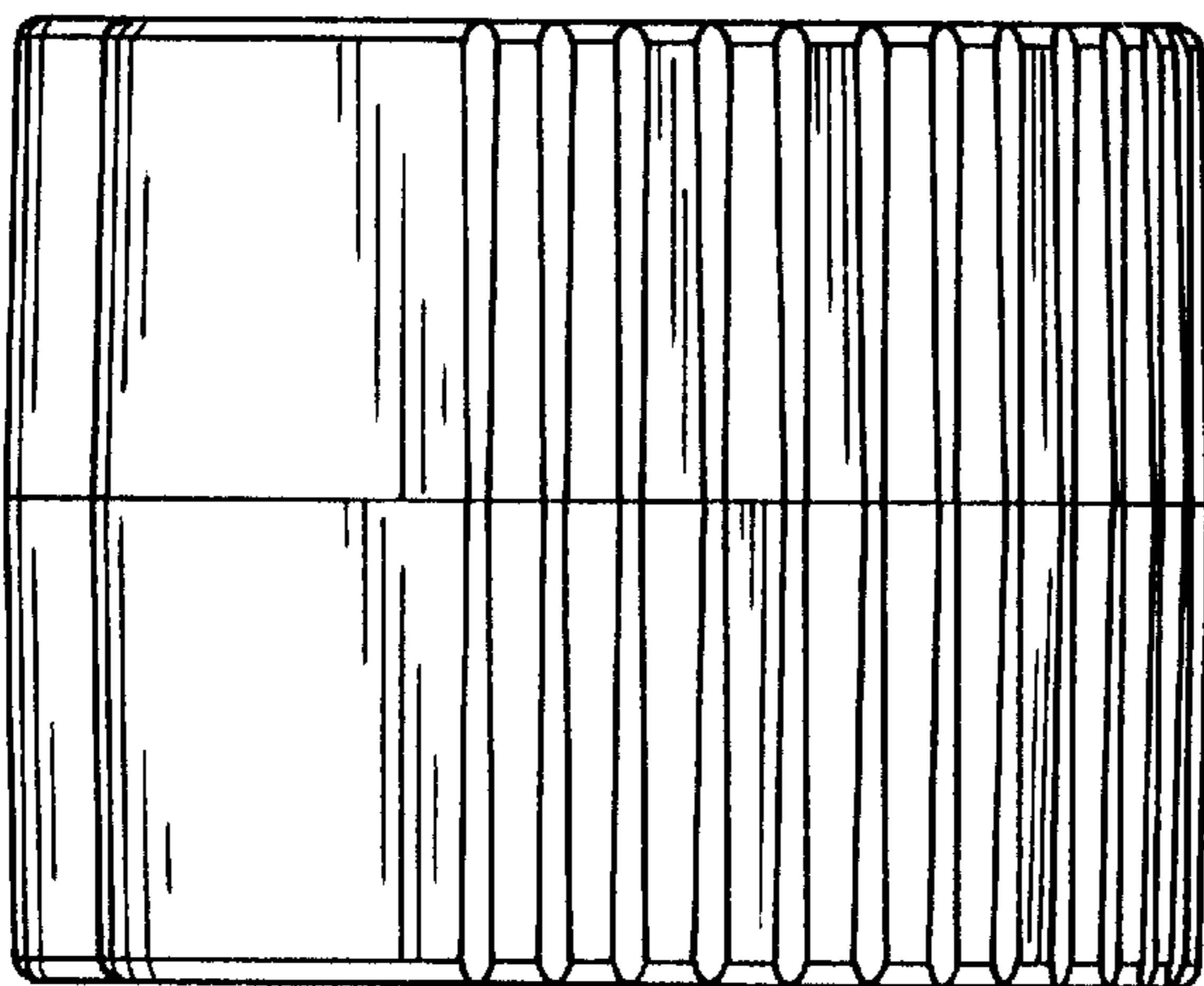


Fig. 4

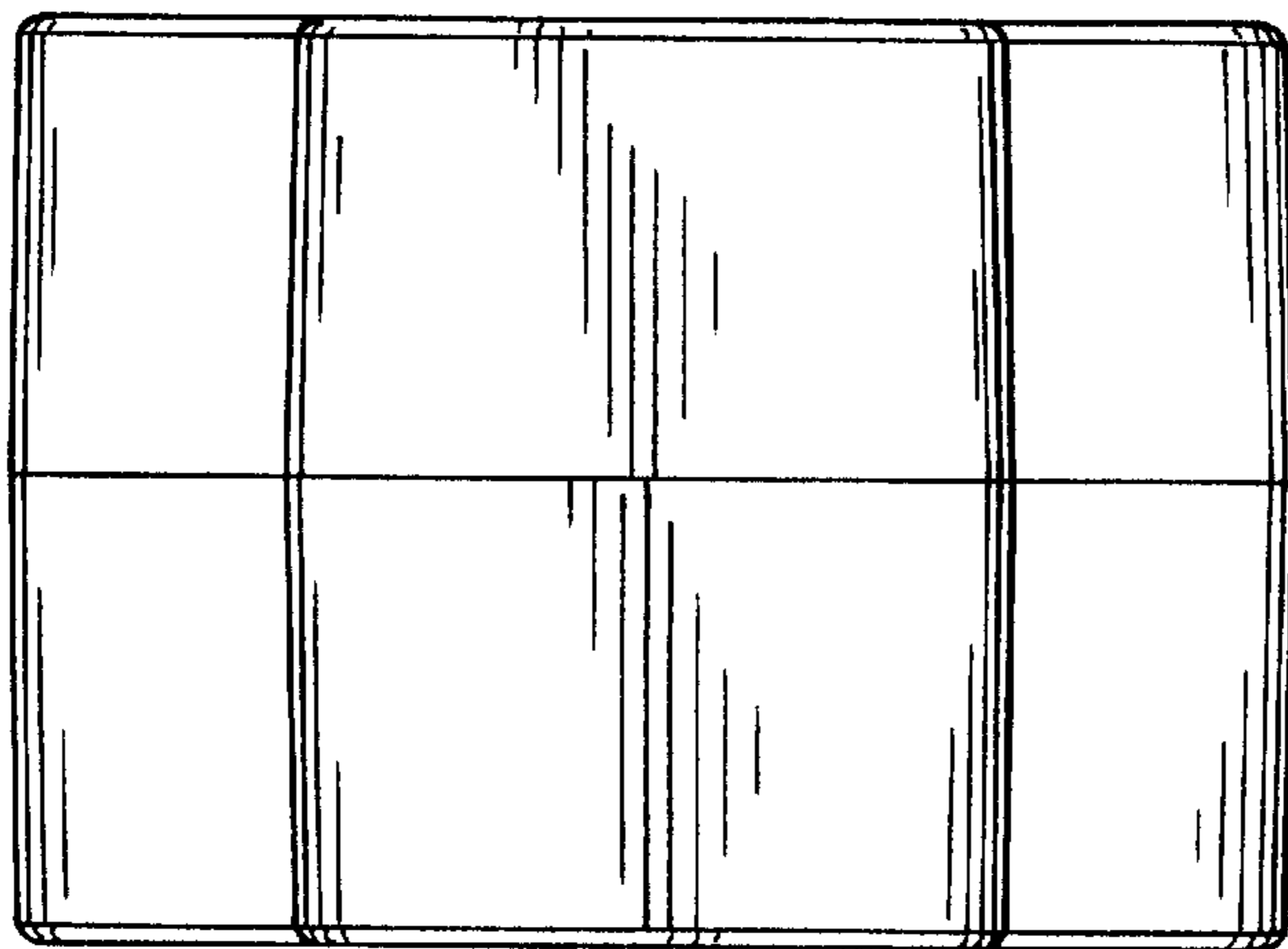


Fig. 5