



US00D488996S

(12) **United States Design Patent**
DeBiasio, Jr.

(10) **Patent No.:** **US D488,996 S**

(45) **Date of Patent:** **** Apr. 27, 2004**

(54) **HOOK**

(75) Inventor: **Lorenzo DeBiasio, Jr.**, Johnston, RI (US)

(73) Assignee: **L.D.B. Tool & Findings Incorporated**, Cranston, RI (US)

(**) Term: **14 Years**

(21) Appl. No.: **29/156,286**

(22) Filed: **Feb. 26, 2002**

(51) **LOC (7) Cl.** **08-05**

(52) **U.S. Cl.** **D8/370**

(58) **Field of Search** D8/370, 367, 363, D8/14; D6/320, 404; 52/685, 687, 719; 211/57.1, 59.1, 106.01, 87.01; 248/220.21, 220.31, 220.41, 222.12, 218.4, 302-304; 40/642.01

(56) **References Cited**

U.S. PATENT DOCUMENTS

1,728,613 A	*	9/1929	Jones	248/302
3,288,414 A	*	11/1966	Fortunato	248/222.12
4,560,062 A		12/1985	Valiulis		
4,697,712 A		10/1987	Valiulis		
4,724,967 A		2/1988	Valiulis		
5,236,163 A		8/1993	Valiulis		
5,415,370 A		5/1995	Valiulis		
D366,195 S	*	1/1996	Hammond et al.	D8/14
5,996,955 A	*	12/1999	Chen	248/302
6,141,894 A	*	11/2000	Thalenfeld et al.	40/642.01
2001/0019095 A1		9/2001	Valiulis		

OTHER PUBLICATIONS

LDB Manufacturing, Inc.; *Display Hooks & Hardware*; 2002 Catalog.
Southern Imperial, Inc., "The Next Generation of Display Hooks . . .," Jan. 2002.

* cited by examiner

Primary Examiner—Pamela Burgess

(74) *Attorney, Agent, or Firm*—Salter & Michaelson

(57) **CLAIM**

The ornamental design for a hook, as shown and described.

DESCRIPTION

FIG. 1 is a perspective view of a first embodiment of a hook showing my new design;

FIG. 2 is a left side elevational view of the first embodiment thereof;

FIG. 3 is a right side elevational view of the first embodiment thereof;

FIG. 4 is a top plan view of the first embodiment thereof;

FIG. 5 is a bottom plan view of the first embodiment thereof;

FIG. 6 is a front elevational view of the first embodiment thereof;

FIG. 7 is a rear elevational view thereof;

FIG. 8 is an alternate perspective view of the first embodiment thereof;

FIG. 9 is a perspective view of a second embodiment of a hook showing my new design;

FIG. 10 is a left side elevational view of the second embodiment thereof;

FIG. 11 is a right side elevational view of the second embodiment thereof;

FIG. 12 is a top plan view of the second embodiment thereof;

FIG. 13 is a bottom plan view of the second embodiment thereof;

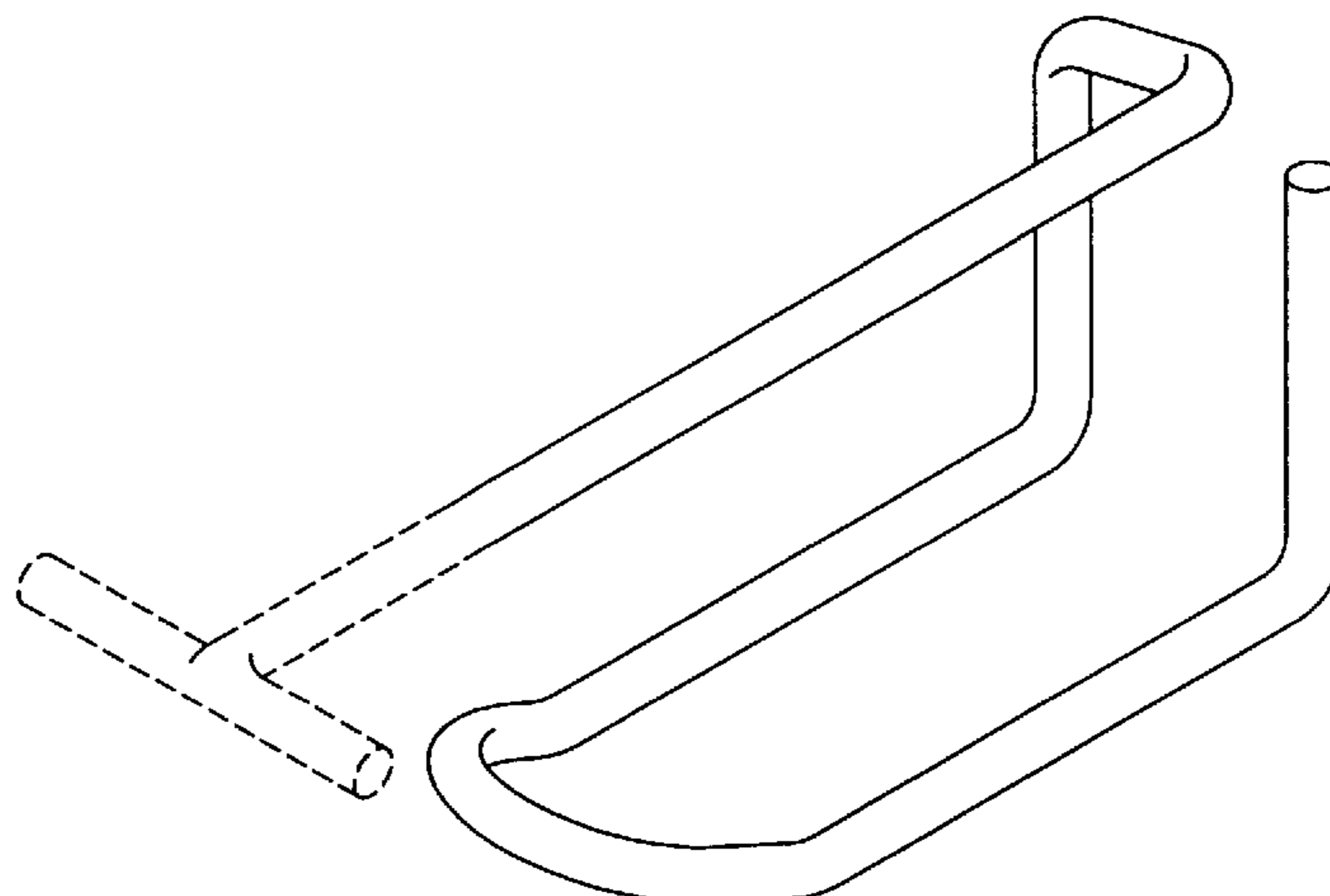
FIG. 14 is a front elevational view of the second embodiment thereof;

FIG. 15 is a rear elevational view of the second embodiment thereof; and,

FIG. 16 is an alternate perspective view of the second embodiment thereof.

The broken lines immediately adjacent the solid line disclosure represents the bounds of the claim and all other broken lines are for illustrative purposes only. None of the broken lines form a part of the claimed design.

1 Claim, 6 Drawing Sheets



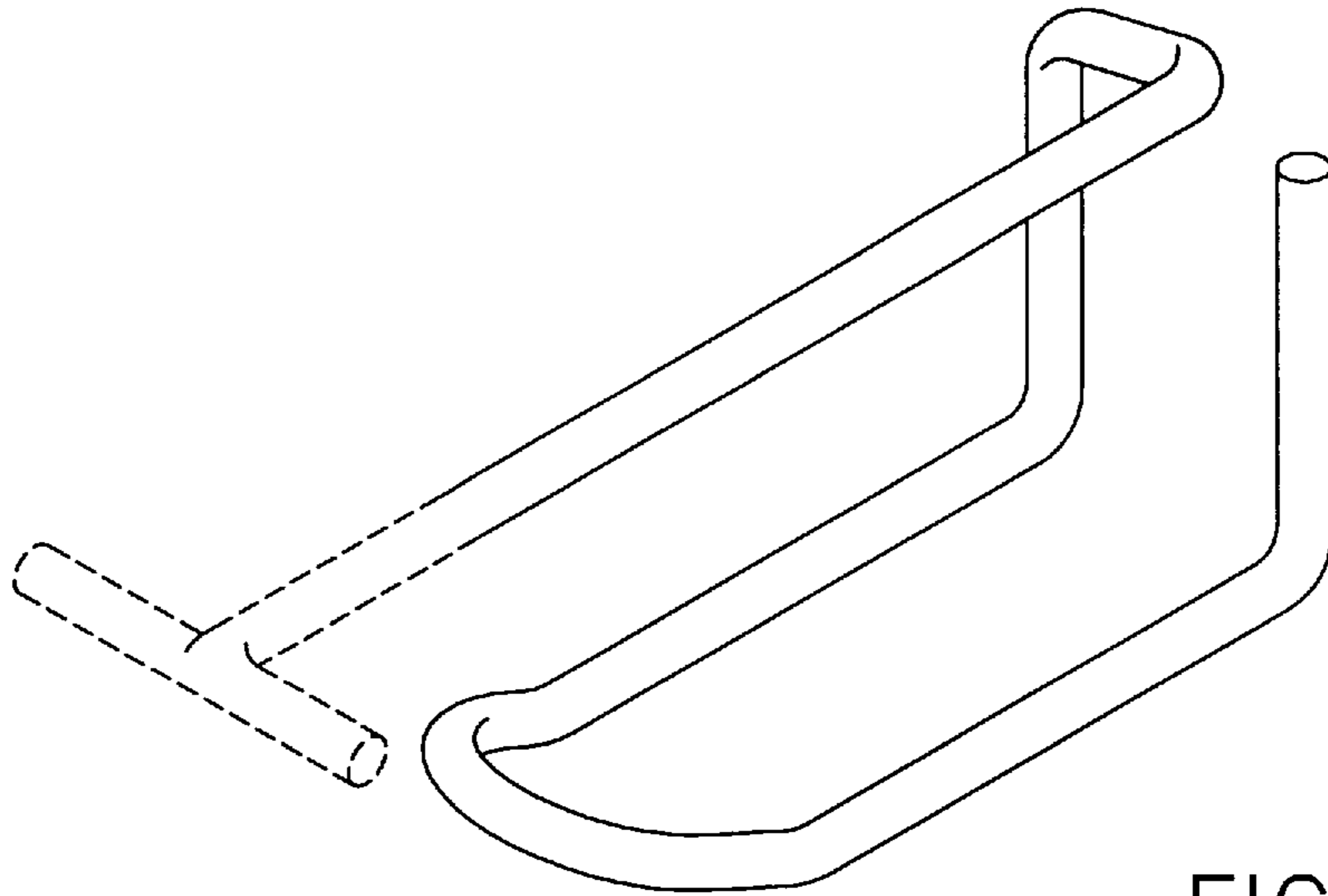


FIG. 1

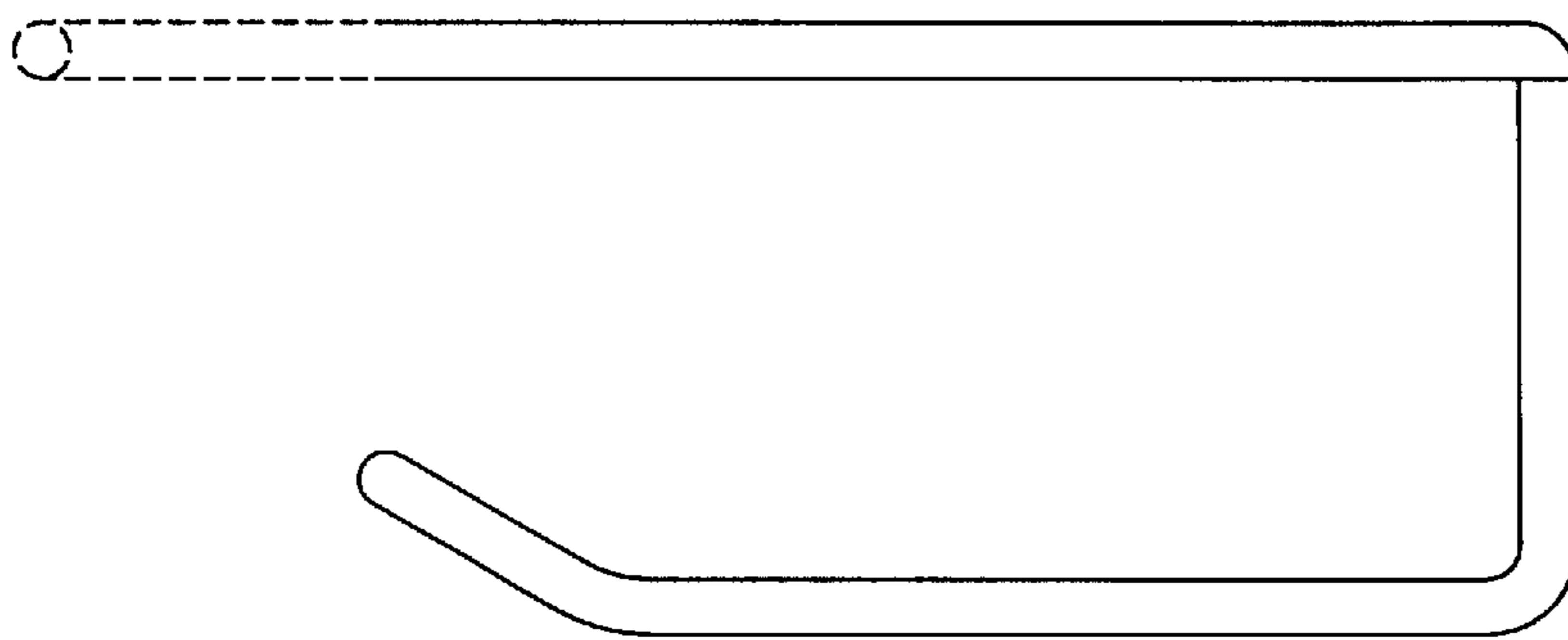


FIG. 2

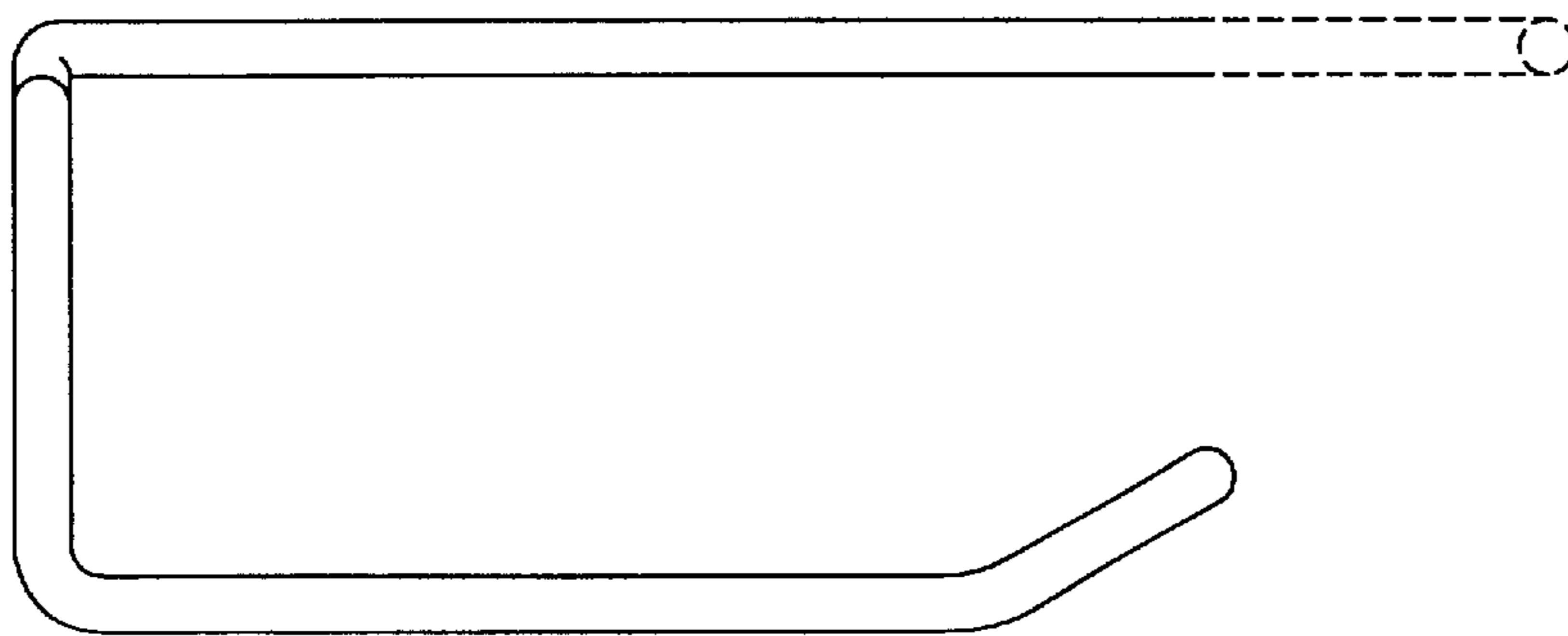


FIG. 3

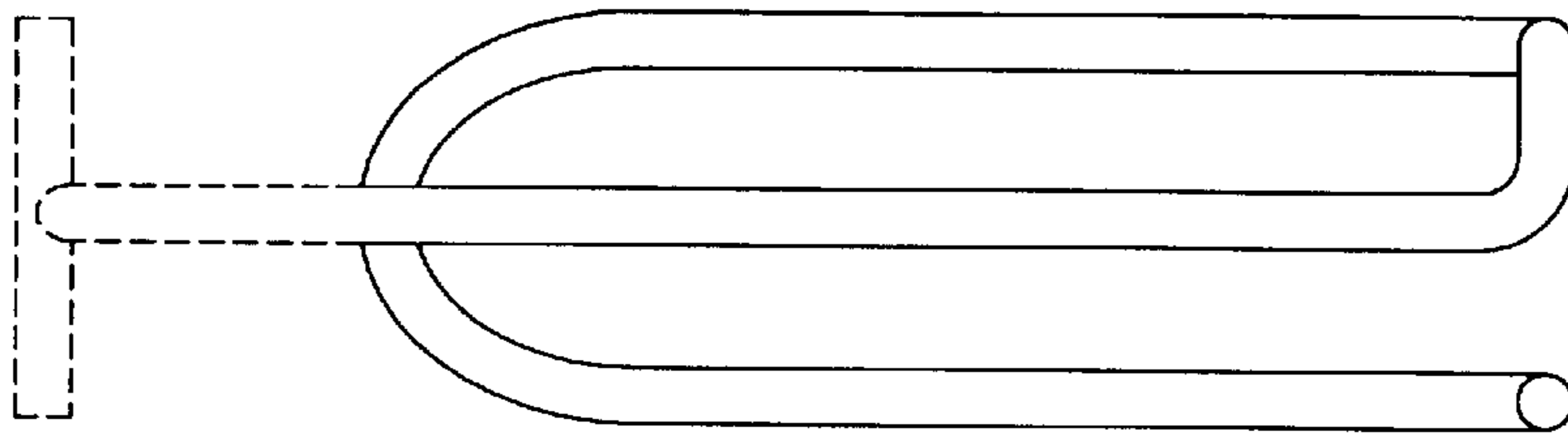


FIG. 4

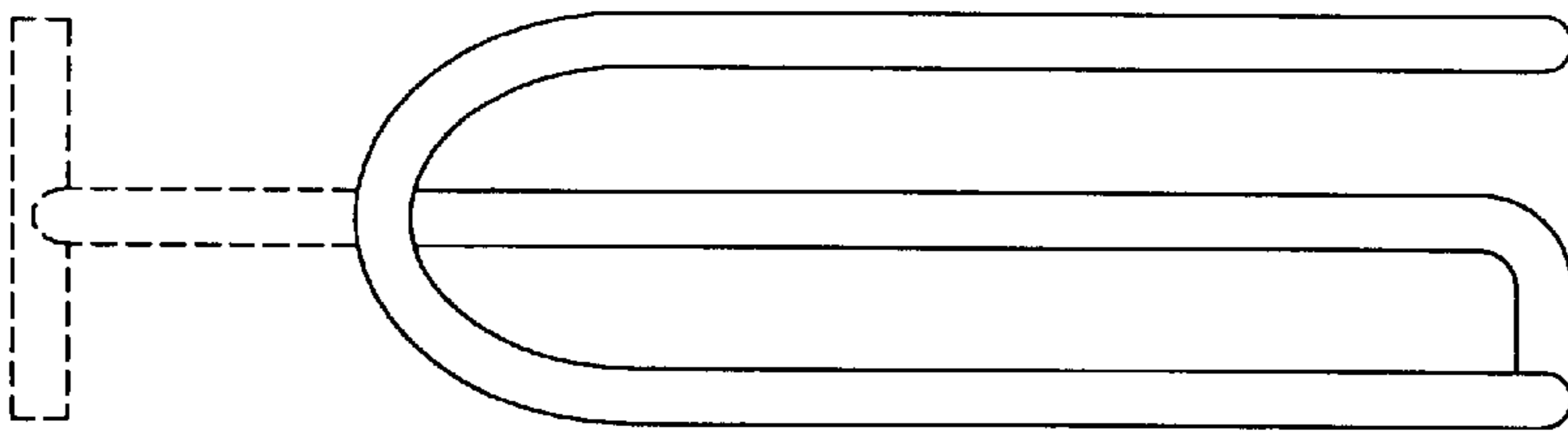


FIG. 5

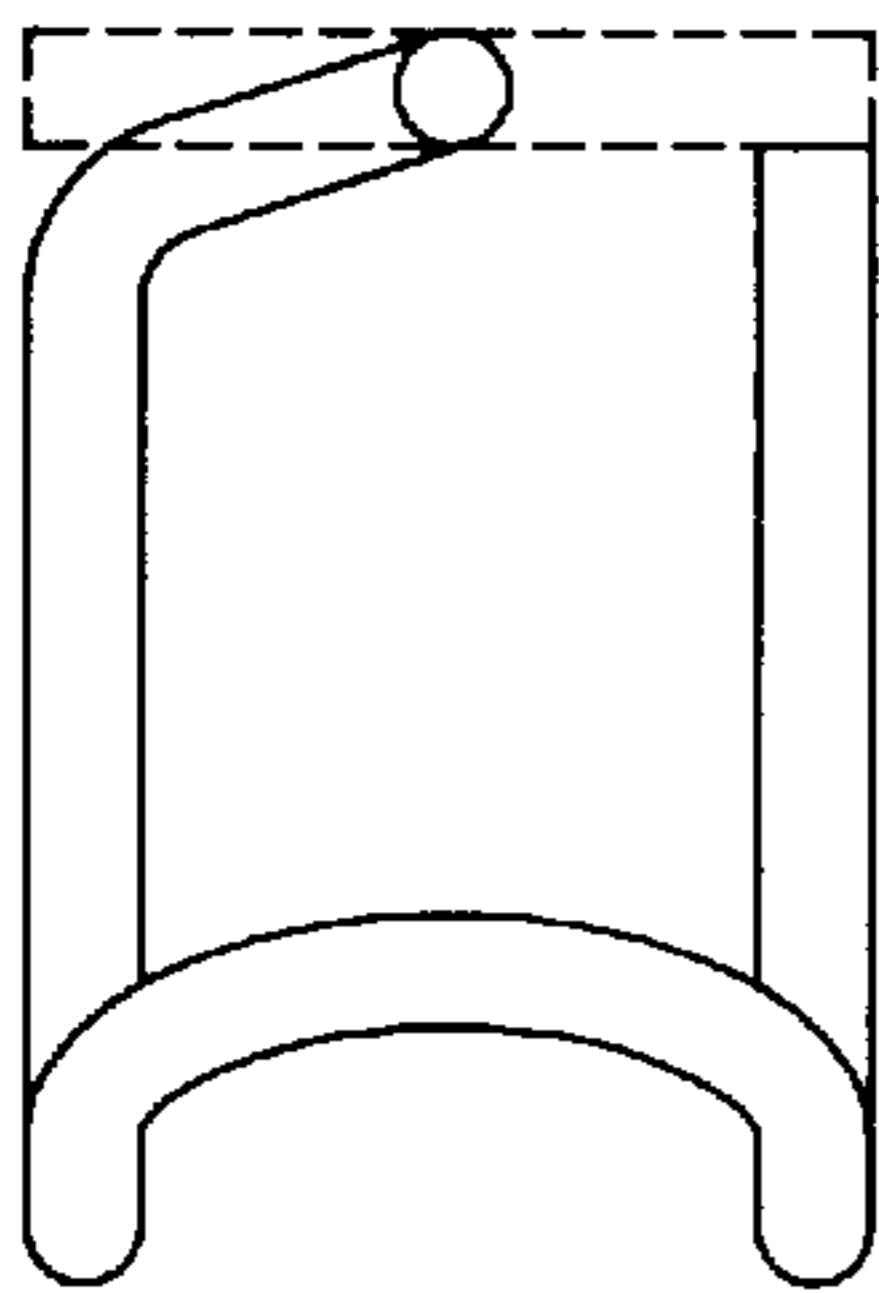


FIG. 6

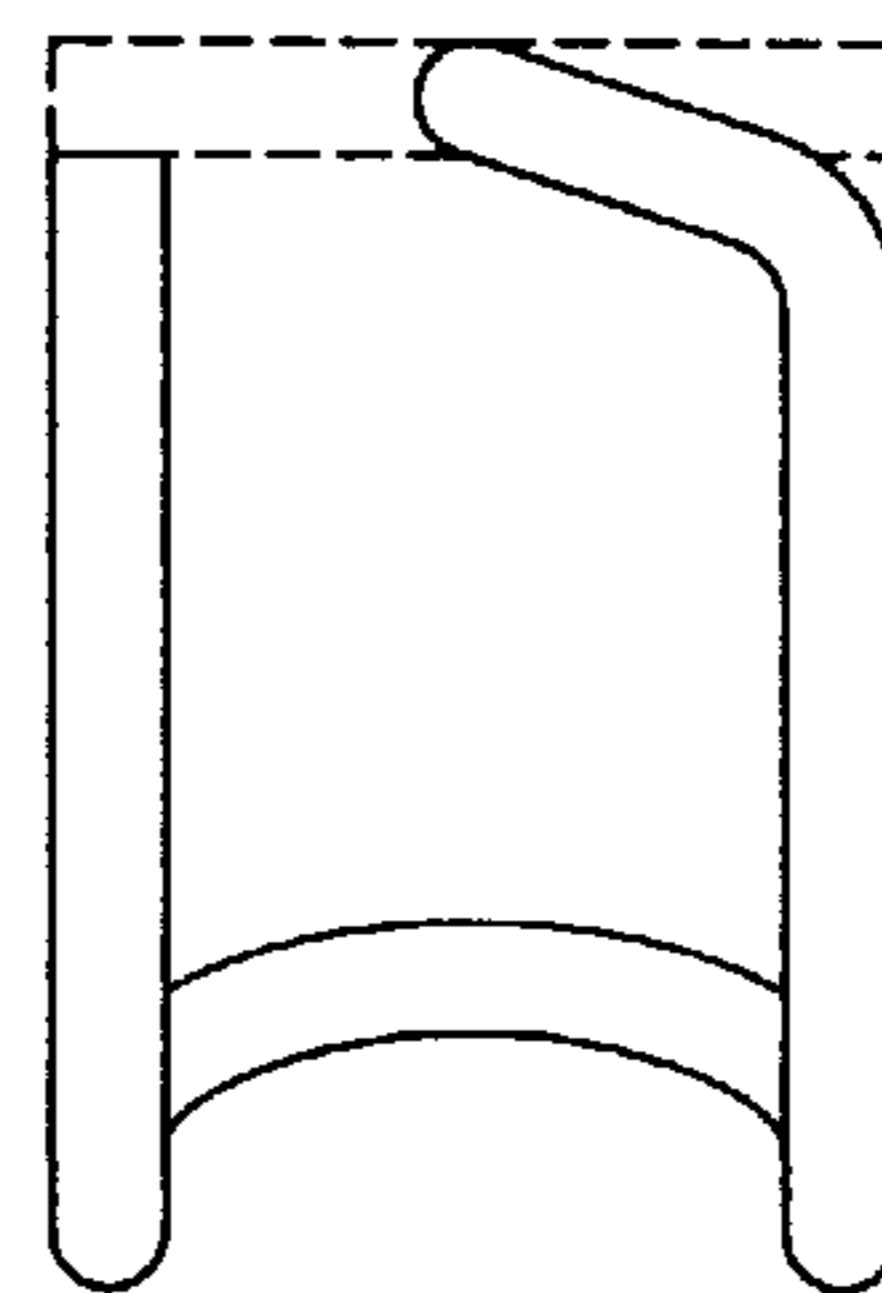


FIG. 7

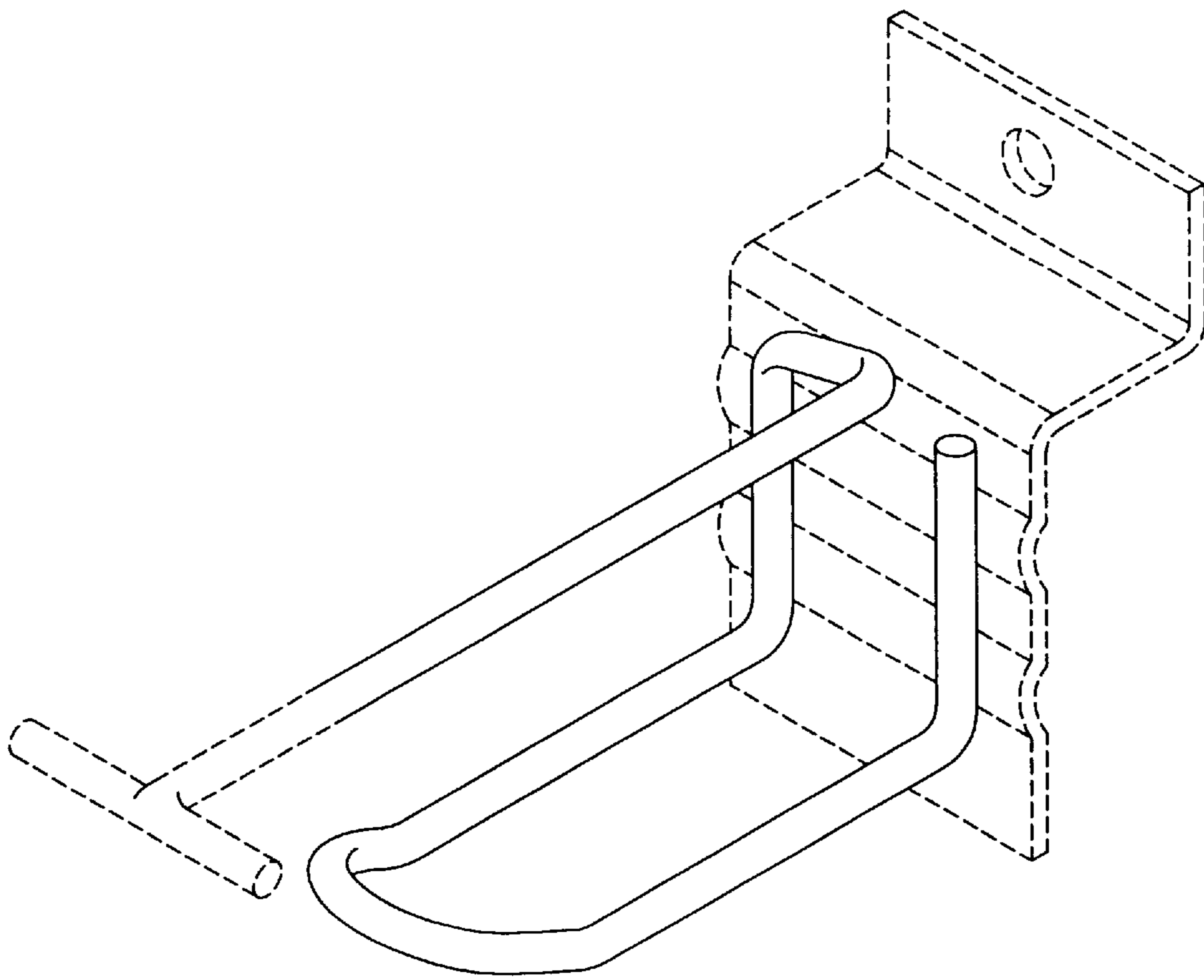


FIG. 8

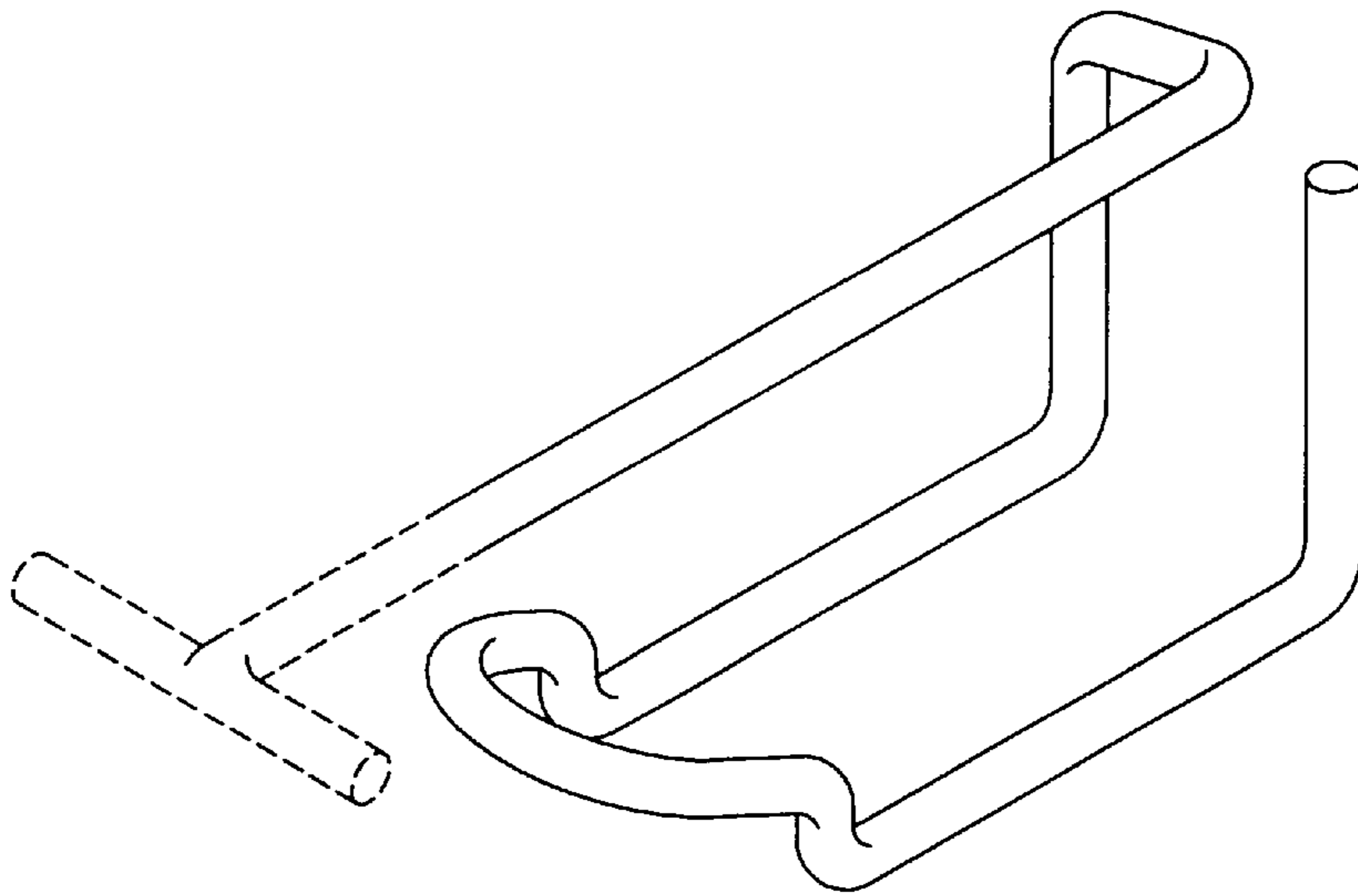


FIG. 9

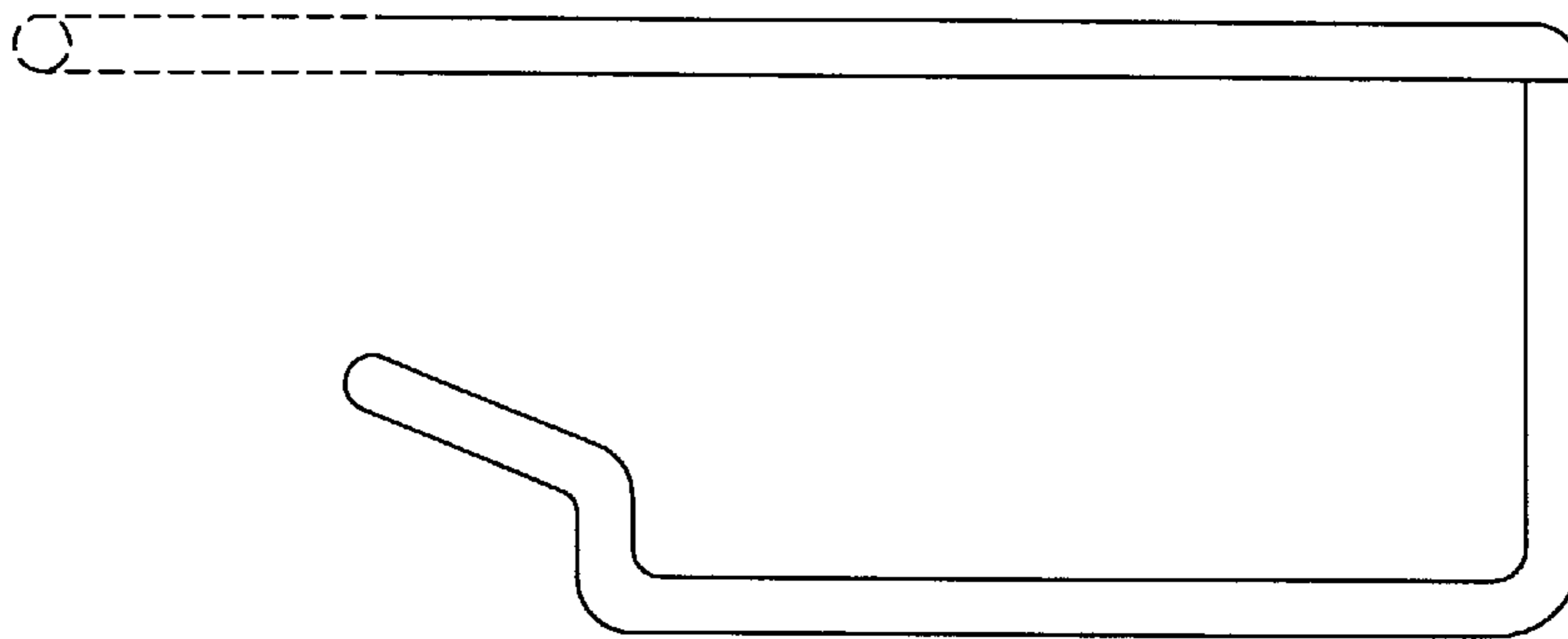


FIG. 10

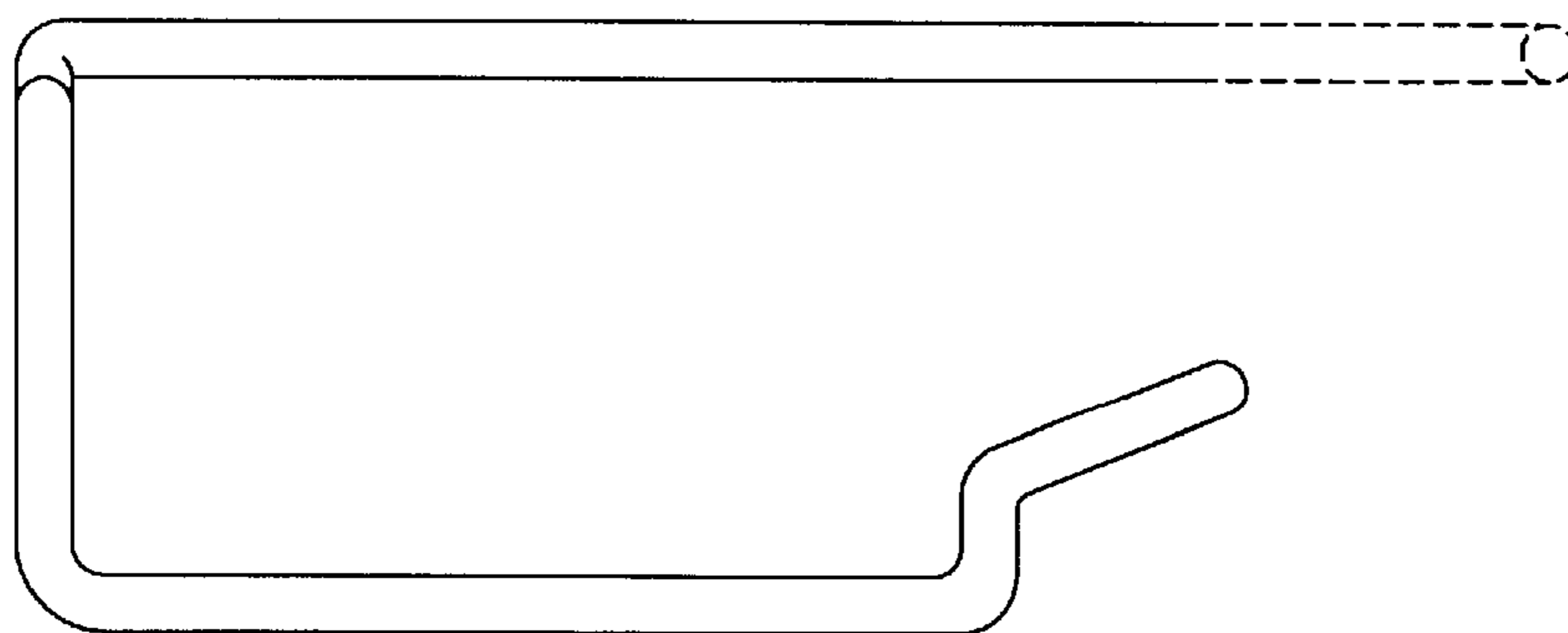


FIG. 11

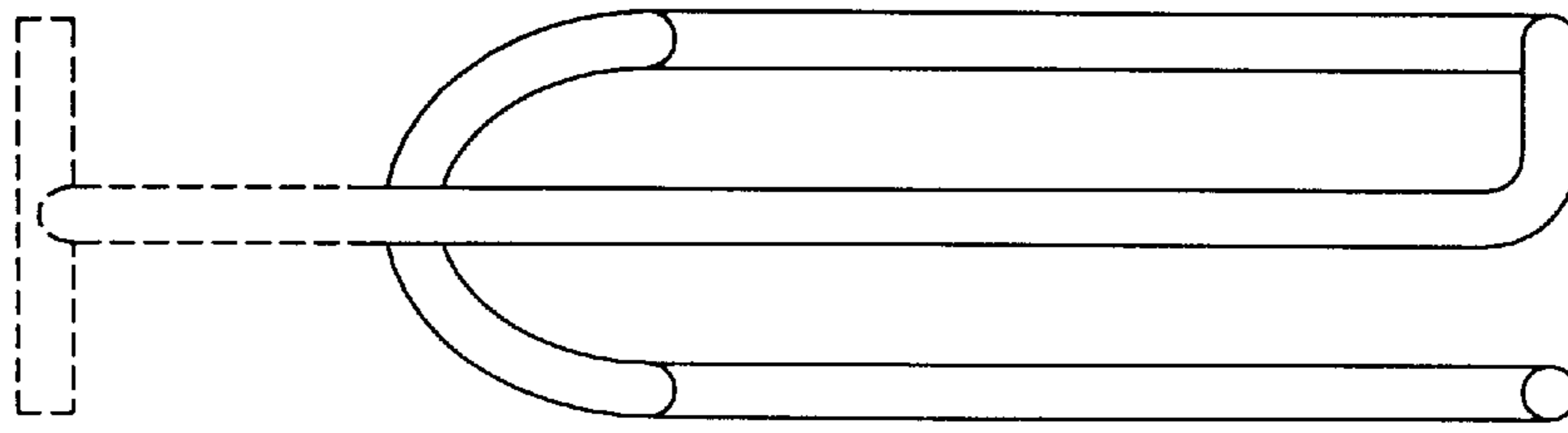


FIG. 12

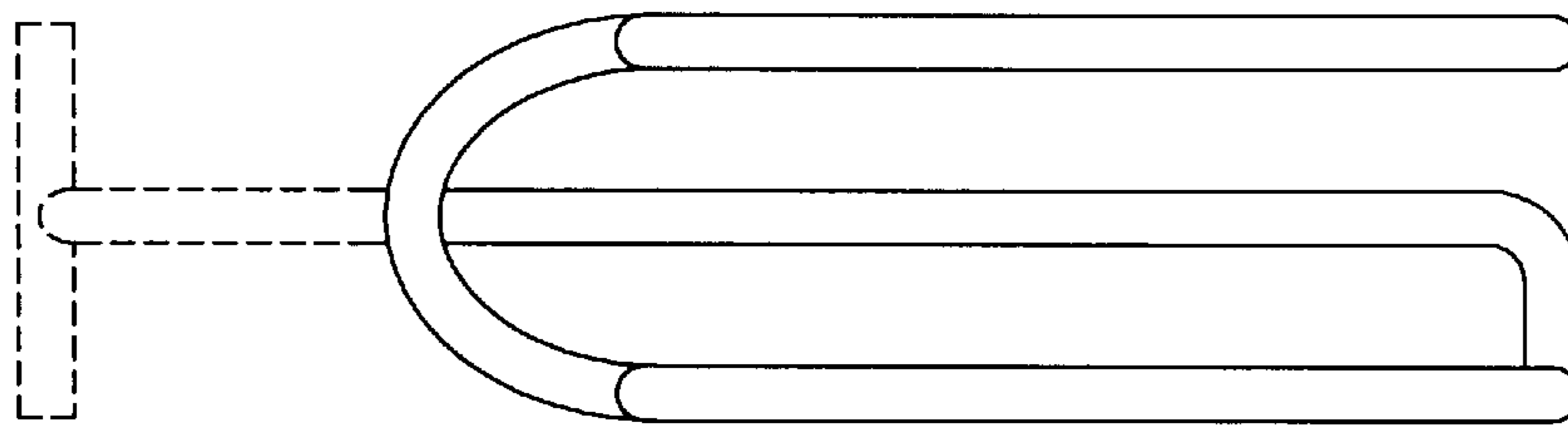


FIG. 13

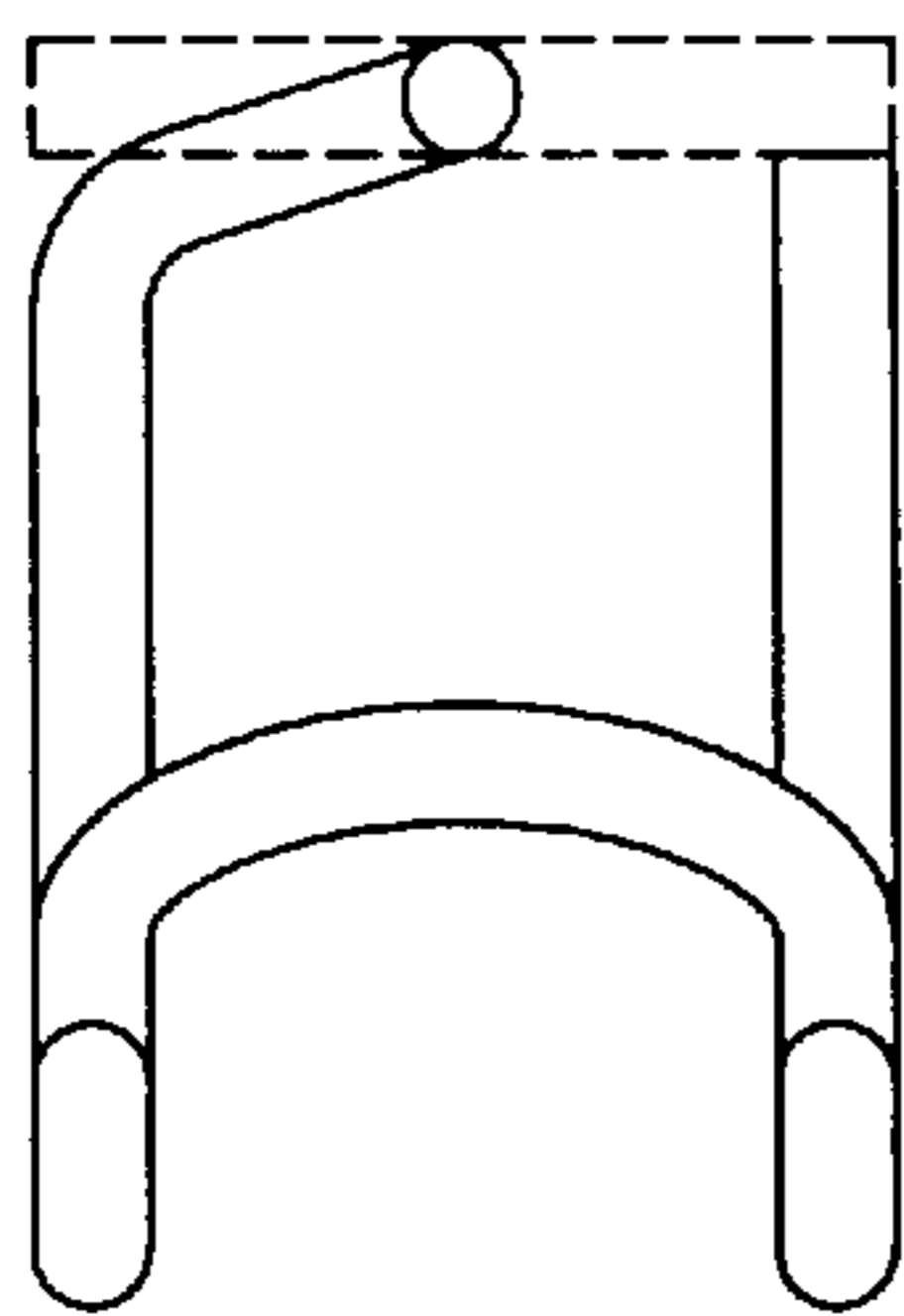


FIG. 14

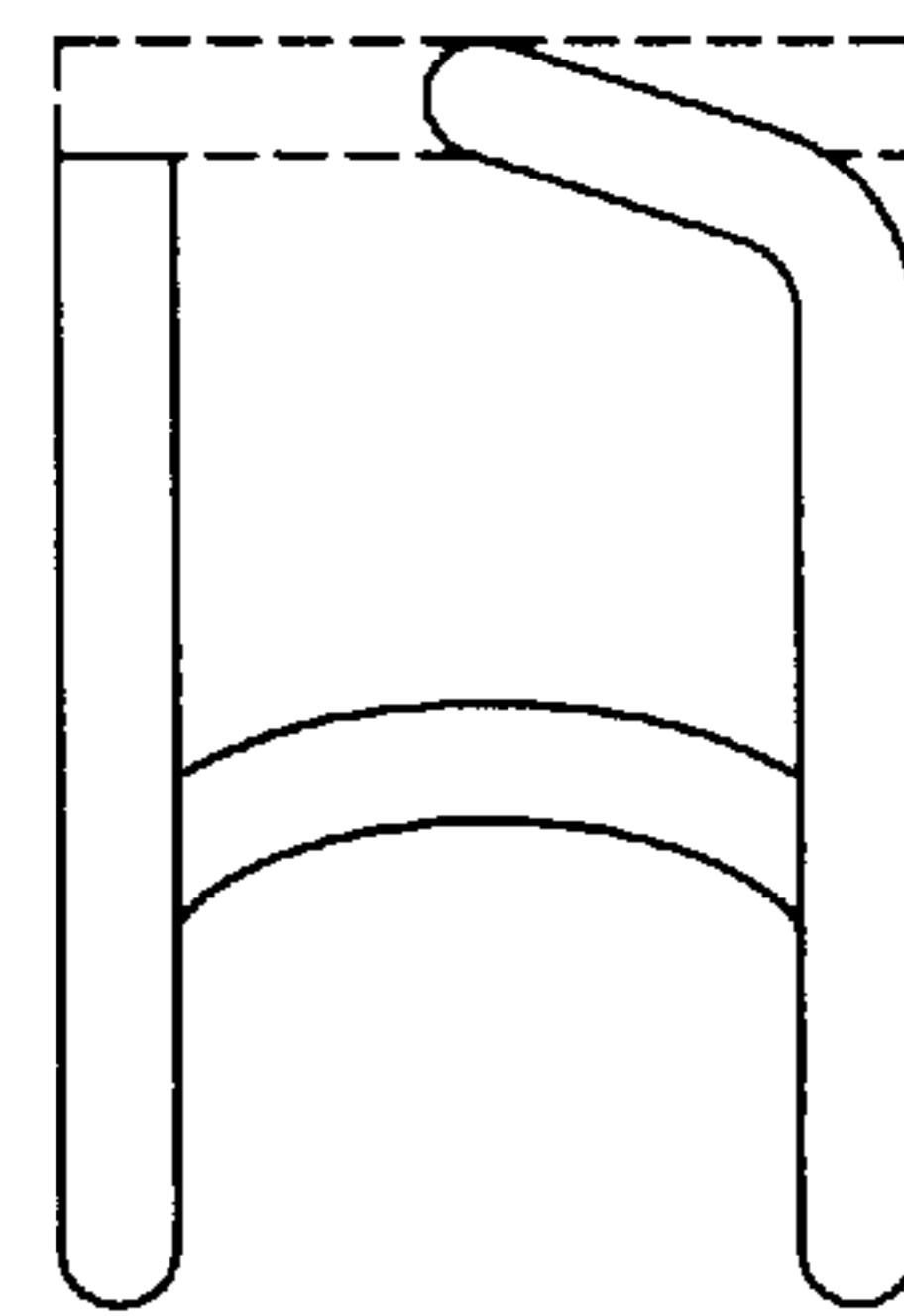


FIG. 15

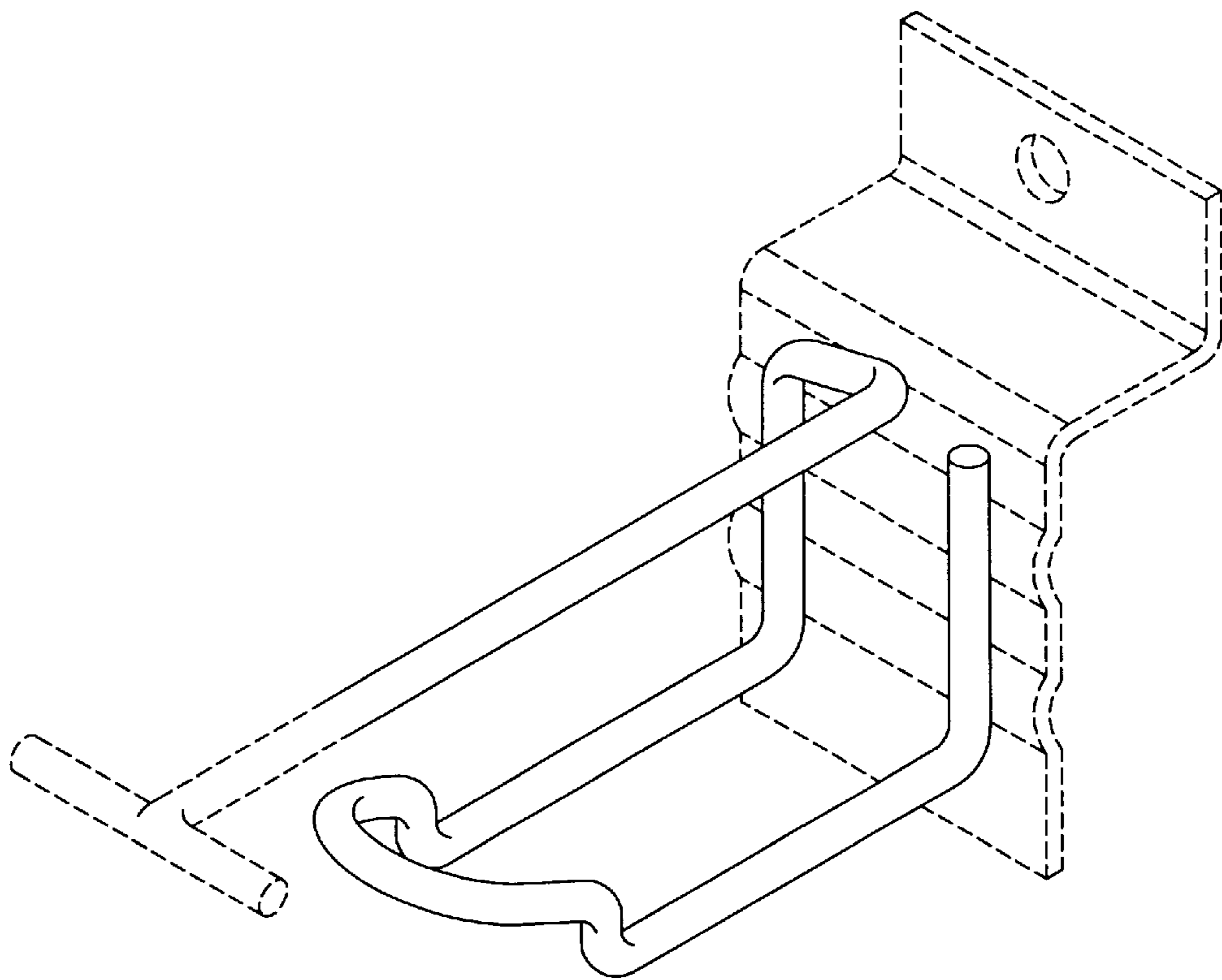


FIG. 16