



US00D488995S

(12) **United States Design Patent**
Denys

(10) **Patent No.:** **US D488,995 S**

(45) **Date of Patent:** **** Apr. 27, 2004**

(54) **OUTSIDE ESCUTCHEON PLATE ASSEMBLY**

Primary Examiner—Adir Aronovich

(74) *Attorney, Agent, or Firm*—Young & Basile P.C.

(75) **Inventor:** **Andre Denys**, Sterling Heights, MI
(US)

(57) **CLAIM**

(73) **Assignee:** **Fasco Die Cast, Inc.**, Mississauga (CA)

The ornamental design for an outside escutcheon plate assembly, as shown and described.

(**) **Term:** **14 Years**

DESCRIPTION

(21) **Appl. No.:** **29/182,674**

FIG. 1 is a perspective view of an outside escutcheon plate assembly;

(22) **Filed:** **May 30, 2003**

FIG. 2 is a front view of FIG. 1;

(51) **LOC (7) Cl.** **11-05**

FIG. 3 is a back view of FIG. 1;

(52) **U.S. Cl.** **D8/352; D8/350**

FIG. 4 is a right-side view FIG. 1;

(58) **Field of Search** D8/300–302, 350,
D8/352, 353; 16/402; 70/450, 452; 292/357

FIG. 5 is a left-side view of FIG. 1;

(56) **References Cited**

U.S. PATENT DOCUMENTS

FIG. 6 is a top view of FIG. 1; and,

D261,726 S	*	11/1981	Valli	D8/301
D362,380 S	*	9/1995	Ellis et al.	D8/301
D393,994 S	*	5/1998	Hankel et al.	D8/302
D437,771 S	*	2/2001	Barnes et al.	D8/352
D472,794 S	*	4/2003	LaPlume et al.	D8/350

FIG. 7 is a bottom view of FIG. 1.

OTHER PUBLICATIONS

The portions of the article in broken lines are shown for illustrative purposes only and form no part of the claimed design.

Baldwin Hardware Catalog, 1978 p. 2 (St. Louis handle set).*

* cited by examiner

1 Claim, 3 Drawing Sheets

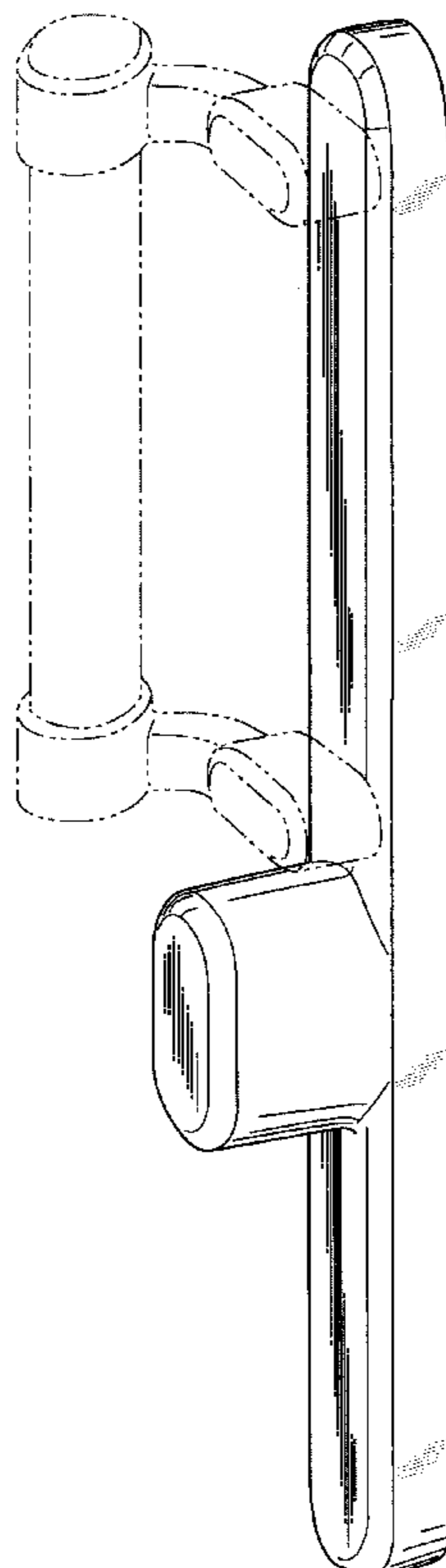


FIG - 1

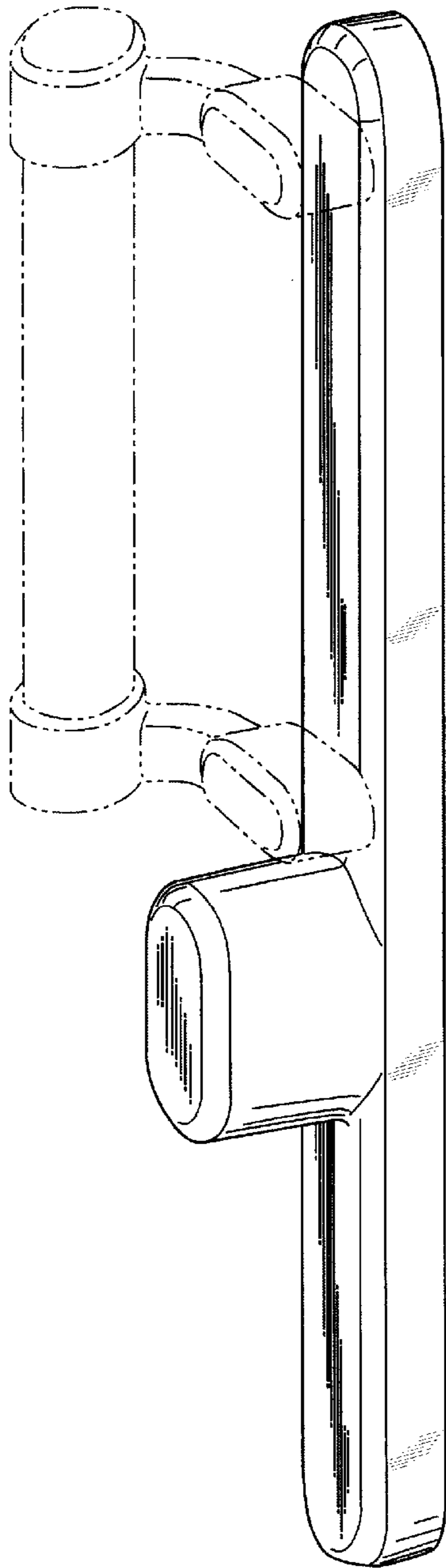


FIG - 6

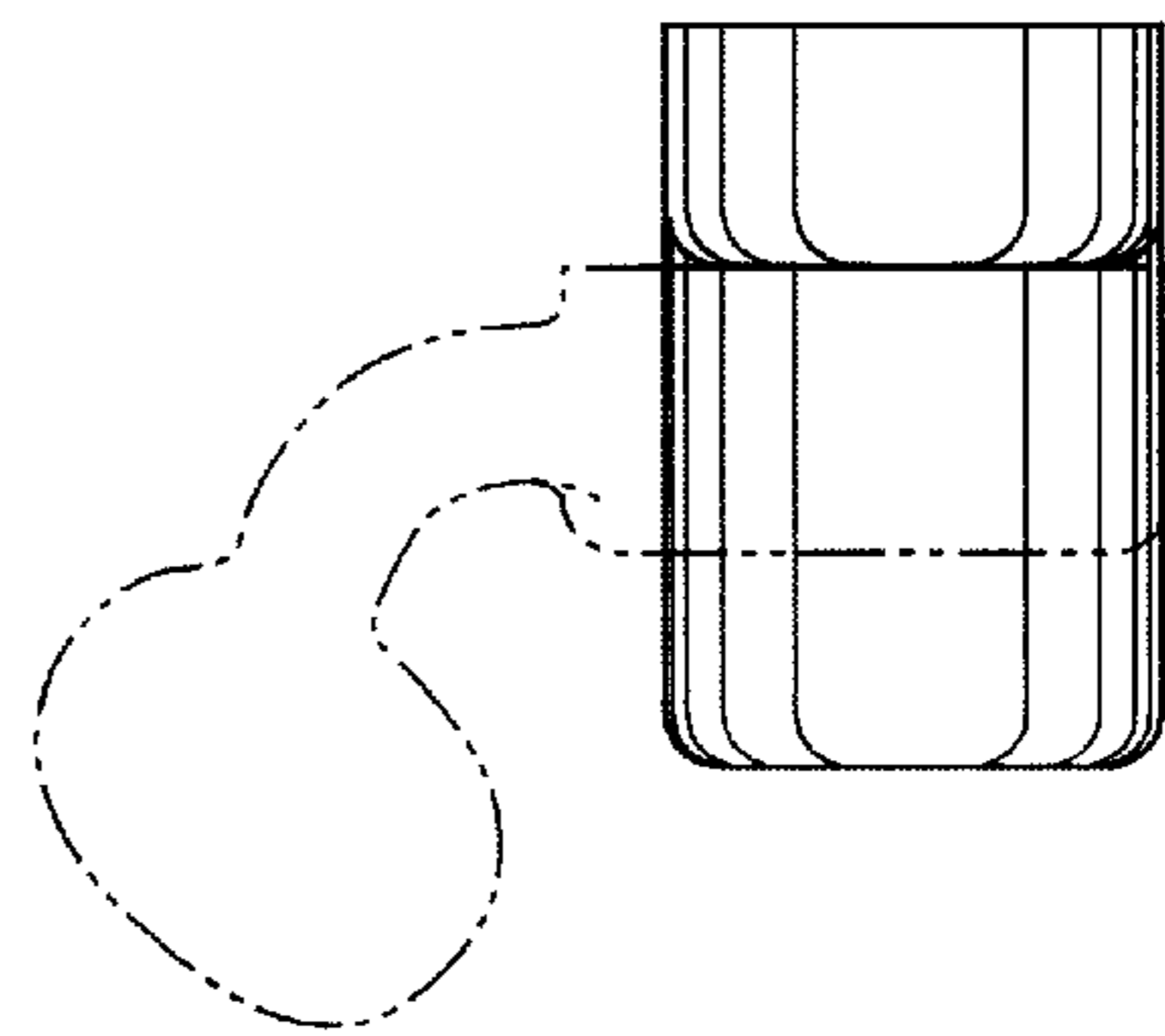
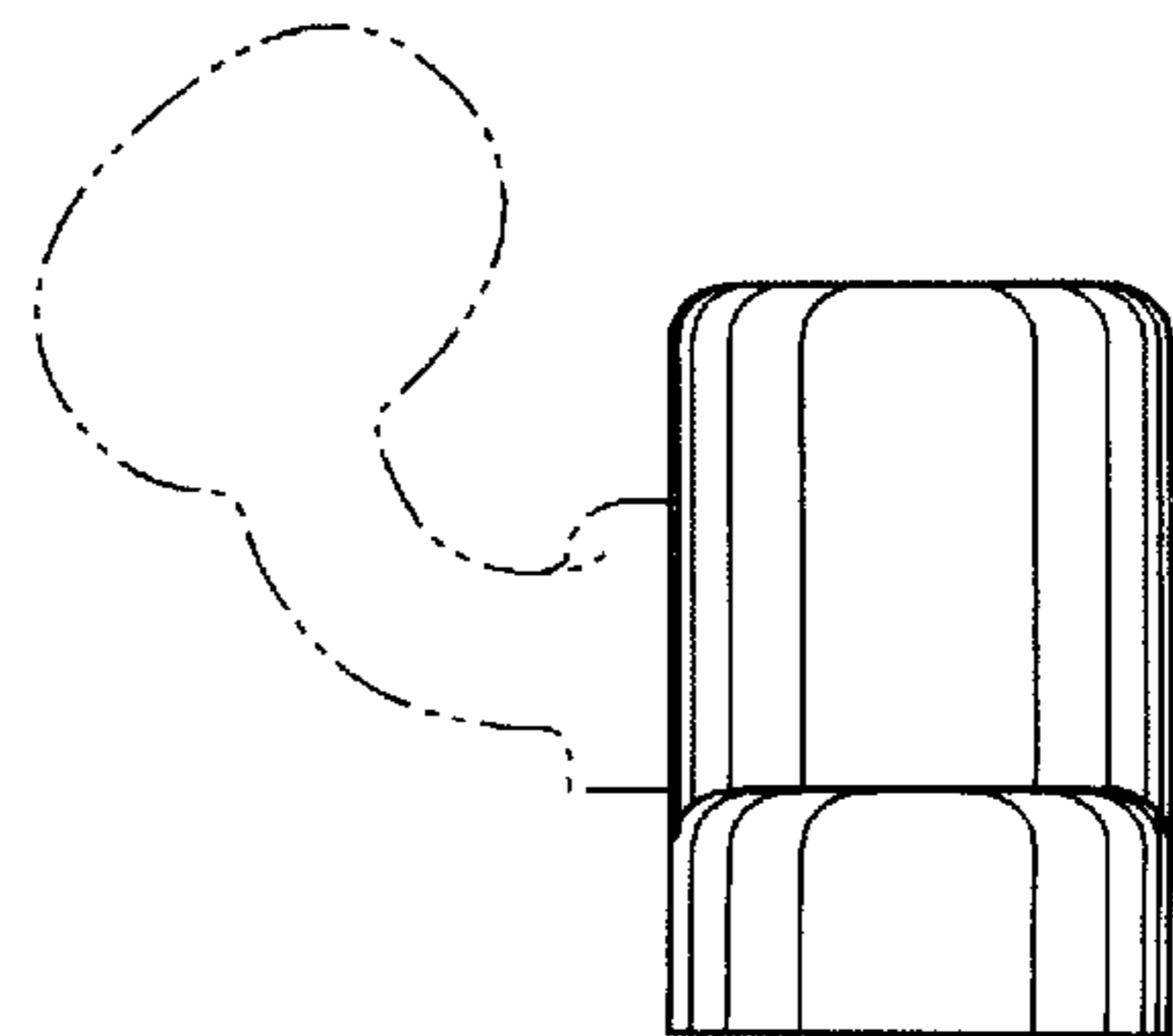


FIG - 7



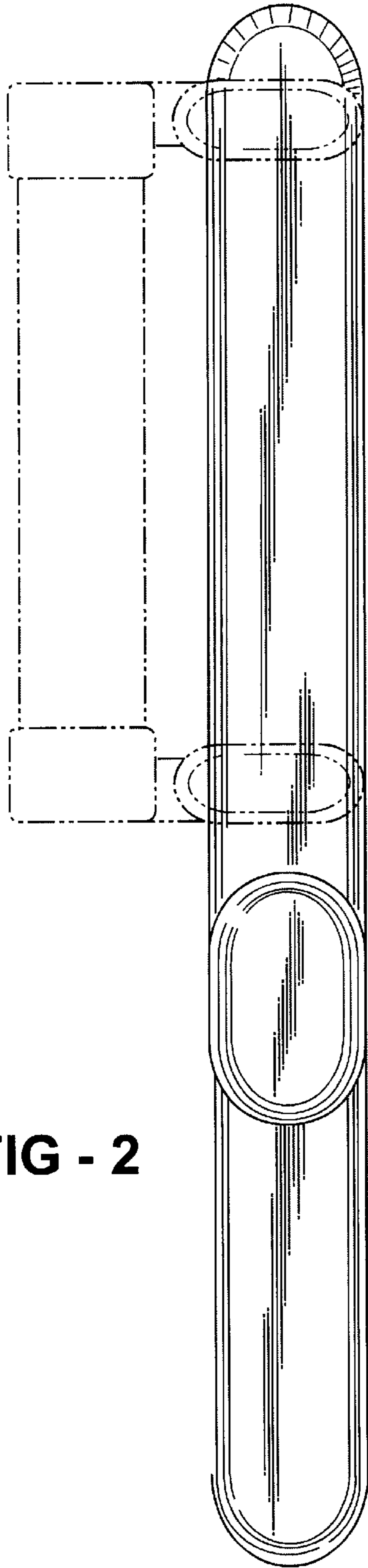


FIG - 2

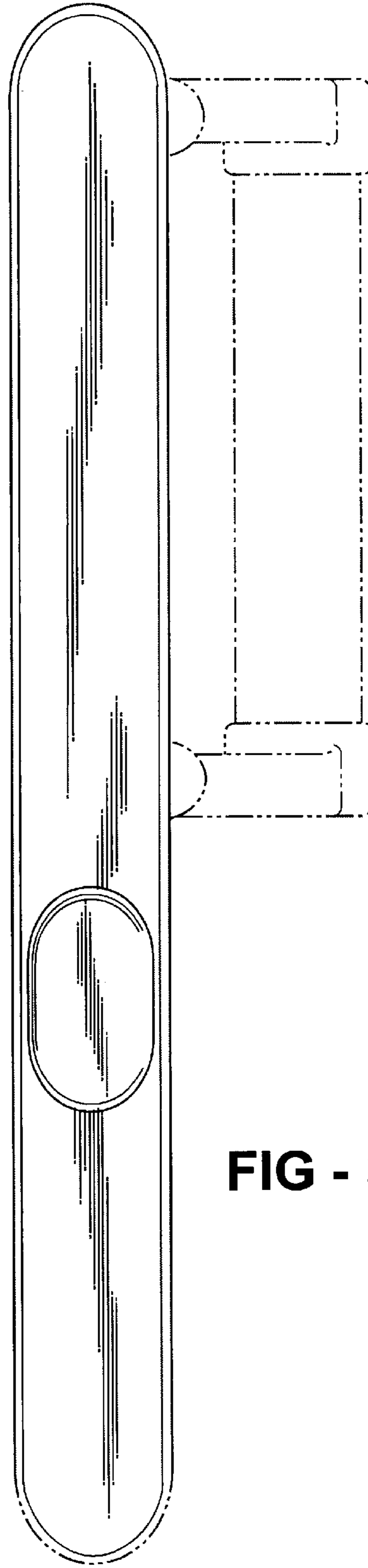


FIG - 3

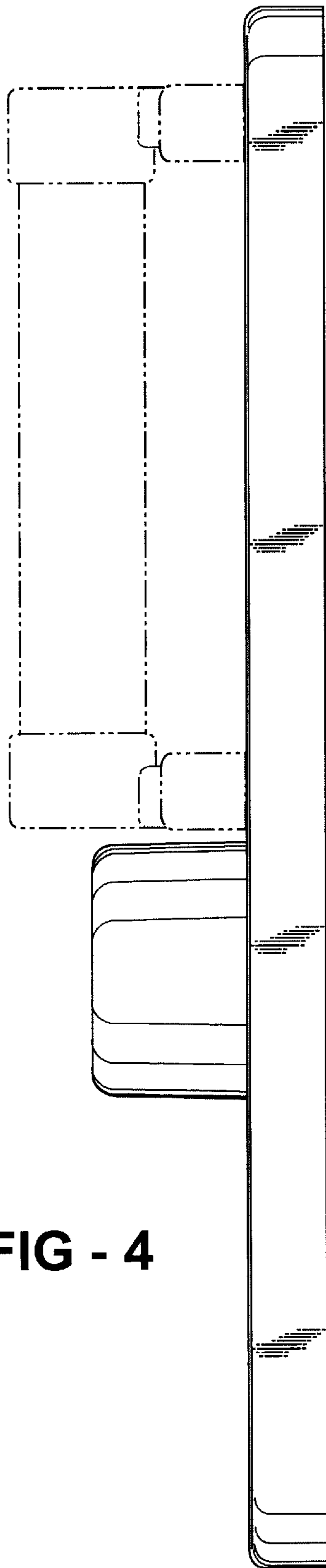


FIG - 4

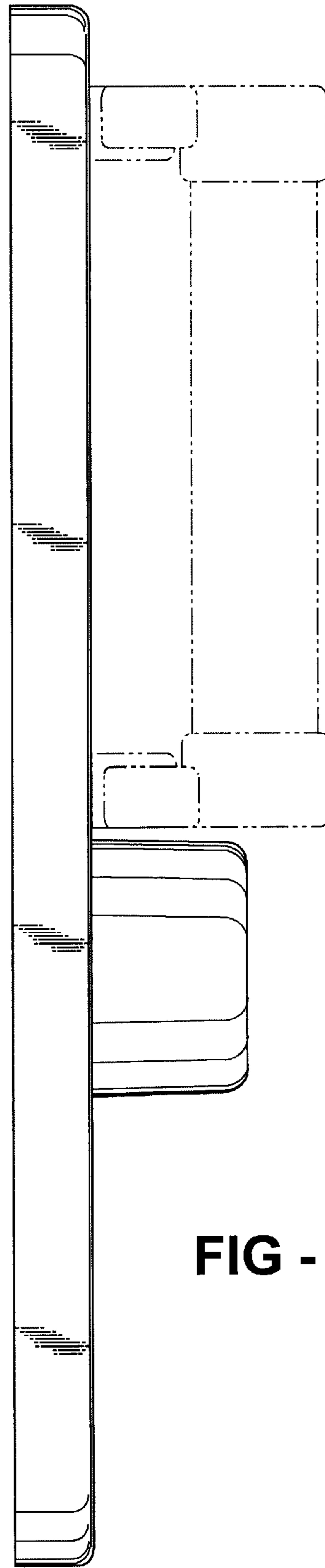


FIG - 5