



US00D488993S

(12) **United States Design Patent**
Denys

(10) **Patent No.:** **US D488,993 S**

(45) **Date of Patent:** **** Apr. 27, 2004**

(54) **DOOR HANDLE FOR AN ESCUTCHEON
PLATE ASSEMBLY**

D375,886 S * 11/1996 Mattson et al. D8/301
D447,927 S * 9/2001 LaPlume et al. D8/302

(75) Inventor: **Andre Denys**, Sterling Heights, MI
(US)

* cited by examiner

Primary Examiner—Adir Aronovich
(74) *Attorney, Agent, or Firm*—Young & Basile P.C.

(73) Assignee: **Fasco Die Cast, Inc.**, Mississauga (CA)

(57) **CLAIM**

(**) Term: **14 Years**

The ornamental design for a door handle for an escutcheon plate assembly, as shown and described.

(21) Appl. No.: **29/182,698**

DESCRIPTION

(22) Filed: **May 30, 2003**

(51) **LOC (7) Cl.** **08-06**

(52) **U.S. Cl.** **D8/319; D8/320**

(58) **Field of Search** D8/300–302, 315,
D8/316, 350, 352, 353, 319, 320; 16/402;
70/450, 452; 292/357

FIG. 1 is a perspective view of a door handle for an escutcheon plate assembly;
FIG. 2 is a front view of FIG. 1;
FIG. 3 is a back view of FIG. 1;
FIG. 4 is a right-side view of FIG. 1;
FIG. 5 is a left-side view of FIG. 1;
FIG. 6 is a top view of FIG. 1; and,
FIG. 7 is a bottom view of FIG. 1.

(56) **References Cited**

U.S. PATENT DOCUMENTS

D198,362 S * 6/1964 Munro D8/302
D199,667 S * 12/1964 Sanders D8/302
D319,961 S * 9/1991 Fleming et al. D8/302

The portions of the article in broken lines are shown for illustrative purposes only and form no part of the claimed design.

1 Claim, 3 Drawing Sheets

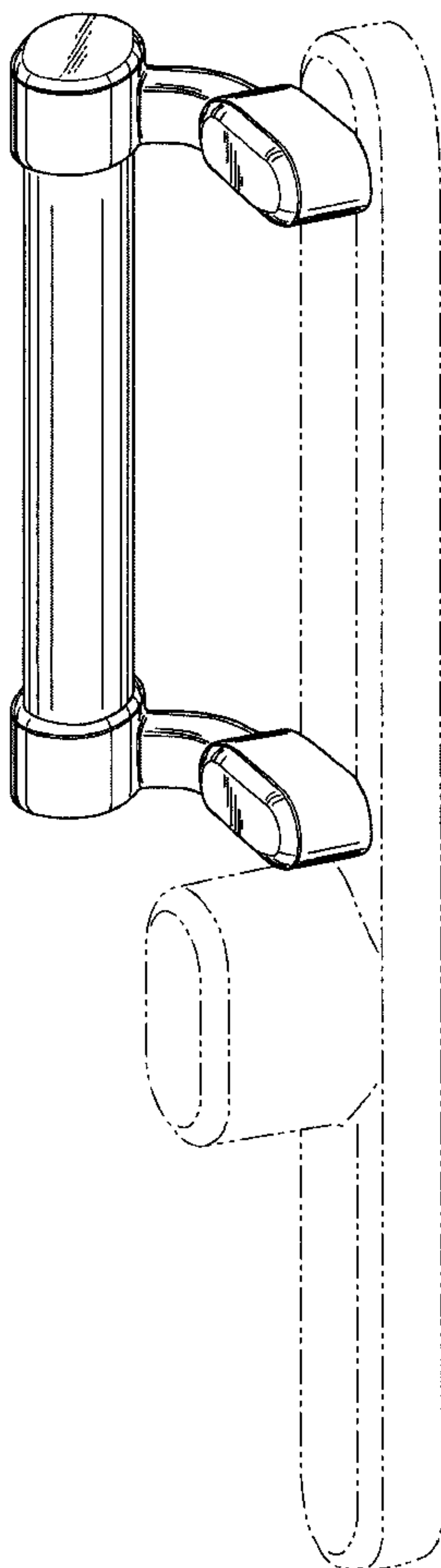


FIG - 1

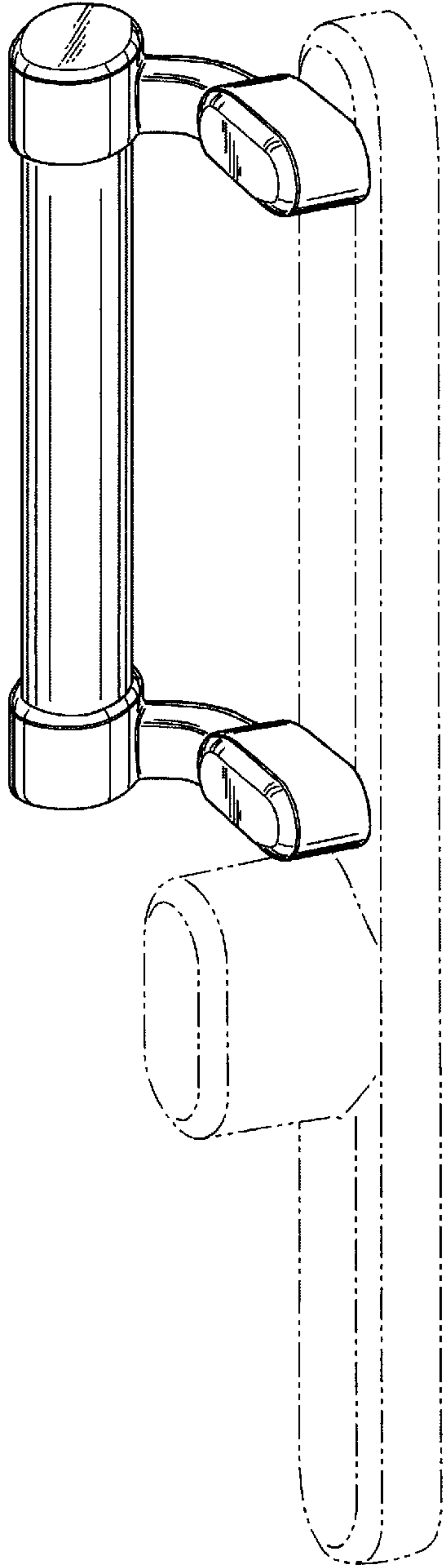


FIG - 6

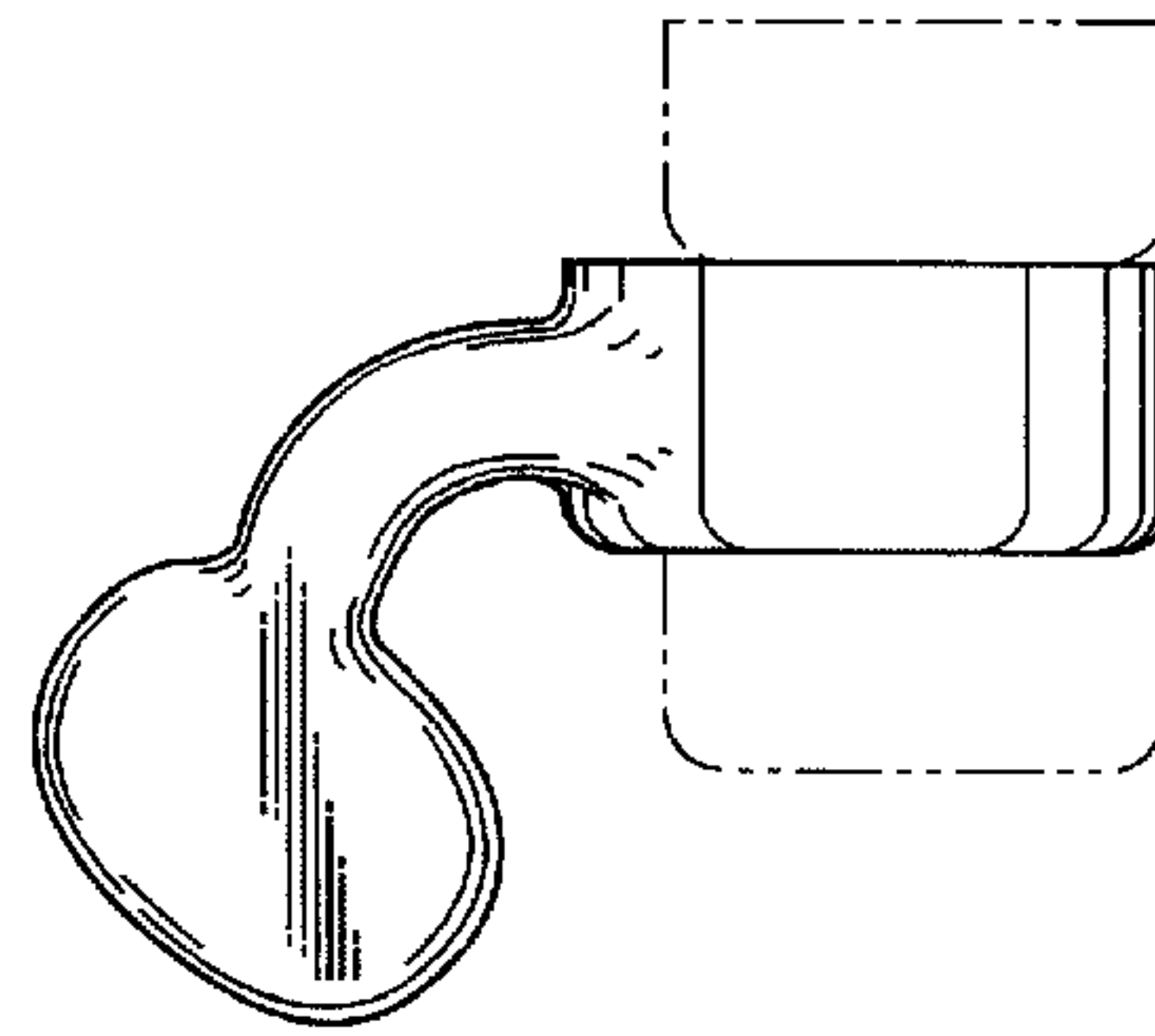


FIG - 7

