



US00D488991S

(12) **United States Design Patent**
Bertani

(10) **Patent No.:** **US D488,991 S**

(45) **Date of Patent:** **** Apr. 27, 2004**

(54) **RECESSED HANDLE**

(75) Inventor: **Alberto Bertani**, Milan (IT)

(73) Assignee: **ELESA, S.p.A.**, Milan (IT)

(**) Term: **14 Years**

(21) Appl. No.: **29/175,502**

(22) Filed: **Feb. 5, 2003**

(51) **LOC (7) Cl.** **08-06**

(52) **U.S. Cl.** **D8/313**

(58) **Field of Search** D8/300, 313, 314;
16/110.1, 412, 415, 416; 312/244, 348.6

(56) **References Cited**

U.S. PATENT DOCUMENTS

D297,808 S	*	9/1988	King	D8/313
D349,838 S	*	8/1994	Barton et al.	D8/313
5,927,836 A	*	7/1999	Herr et al.	16/412
D436,832 S	*	1/2001	Matsuo et al.	D8/313
D442,846 S	*	5/2001	Bastian	D8/313

* cited by examiner

Primary Examiner—Adir Aronovich

(74) *Attorney, Agent, or Firm*—Pearne & Gordon LLP

(57) **CLAIM**

The ornamental design for a recessed handle, as shown and described.

DESCRIPTION

FIG. 1 is a top perspective view of my new design for a recessed handle;

FIG. 2 is a bottom perspective view thereof;

FIG. 3 is a top view of FIG. 1;

FIG. 4 is a front view of FIG. 1;

FIG. 5 is a right side view of FIG. 1;

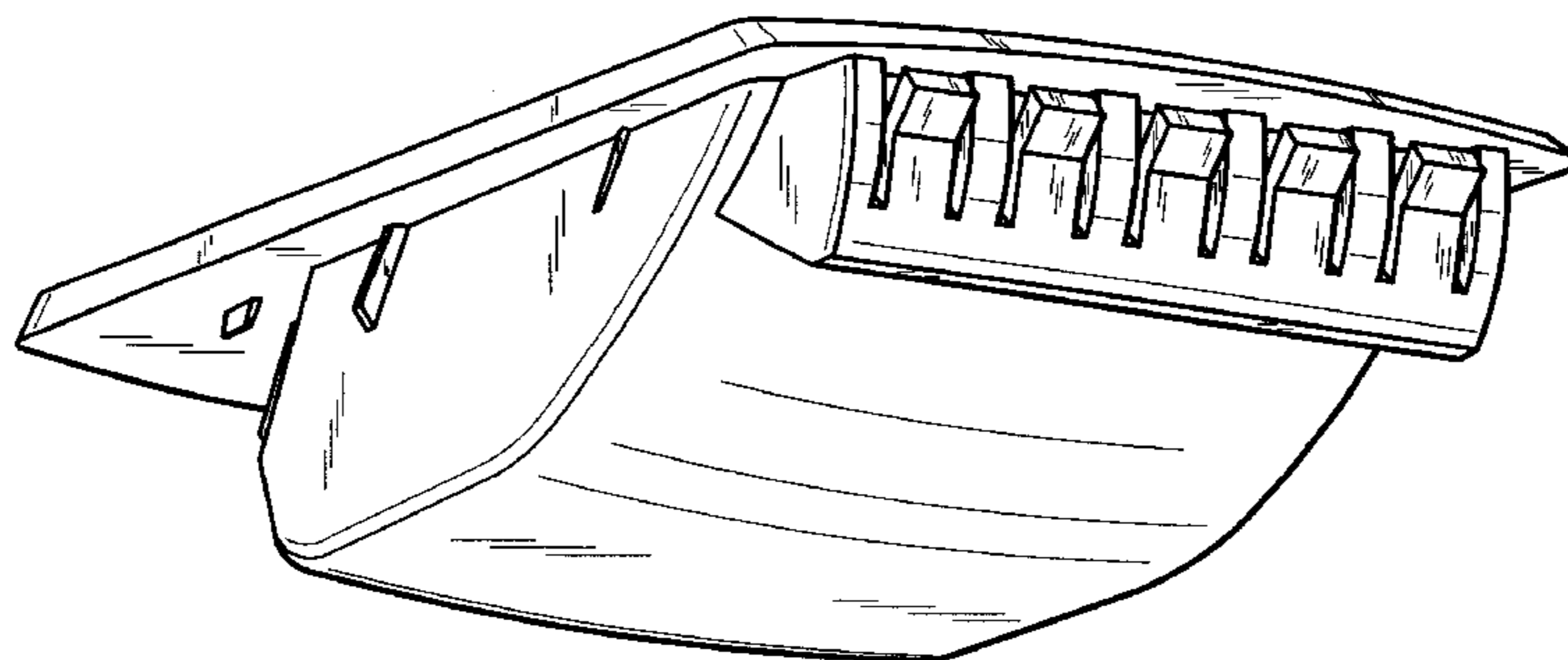
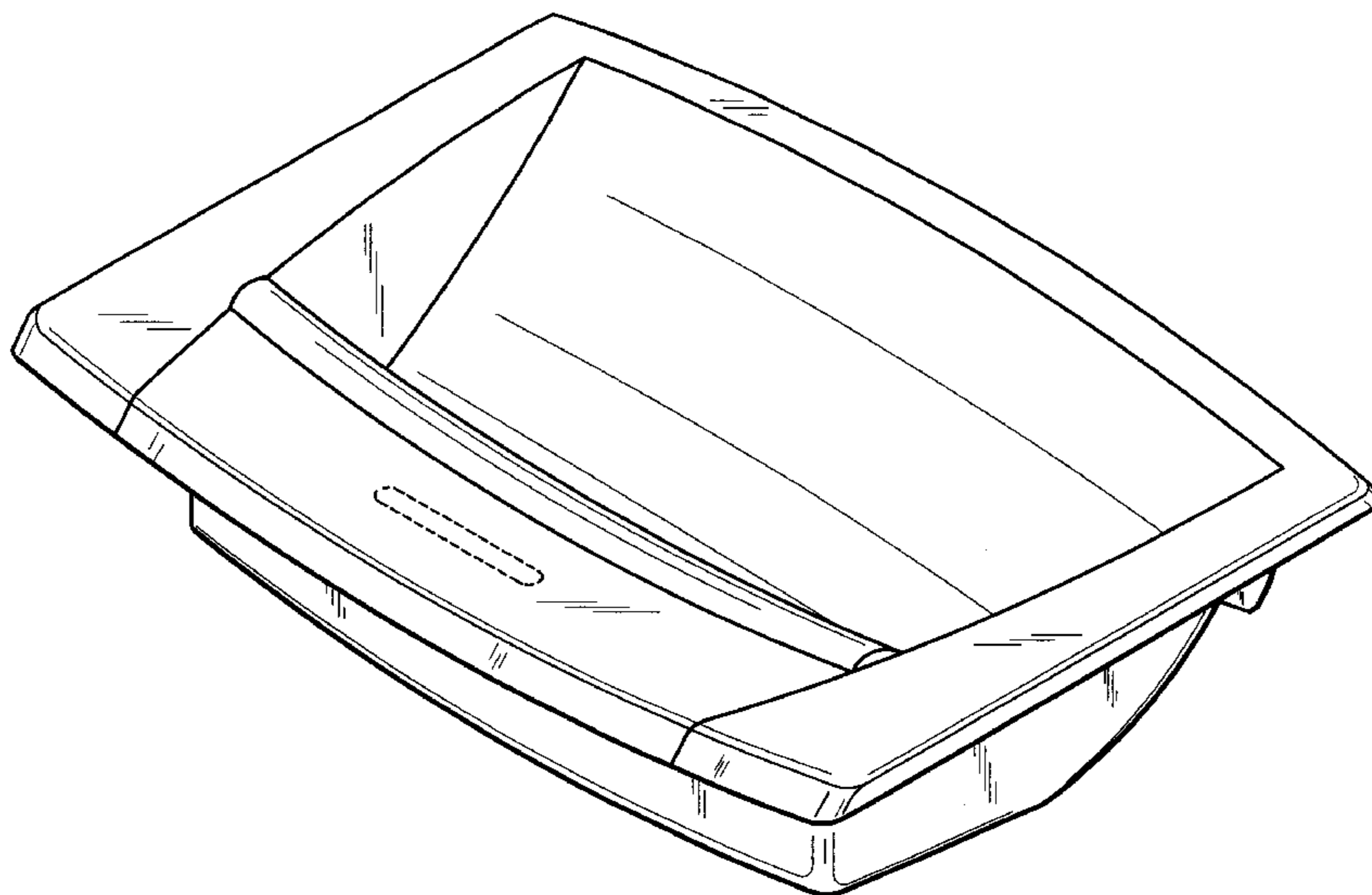
FIG. 6 is a left side view of FIG. 1;

FIG. 7 is a bottom view of FIG. 1; and,

FIG. 8 is a back view of FIG. 1.

The broken line boundary shown in FIGS. 1 and 3 is for illustrative purposes and forms no part of the claimed design.

1 Claim, 4 Drawing Sheets



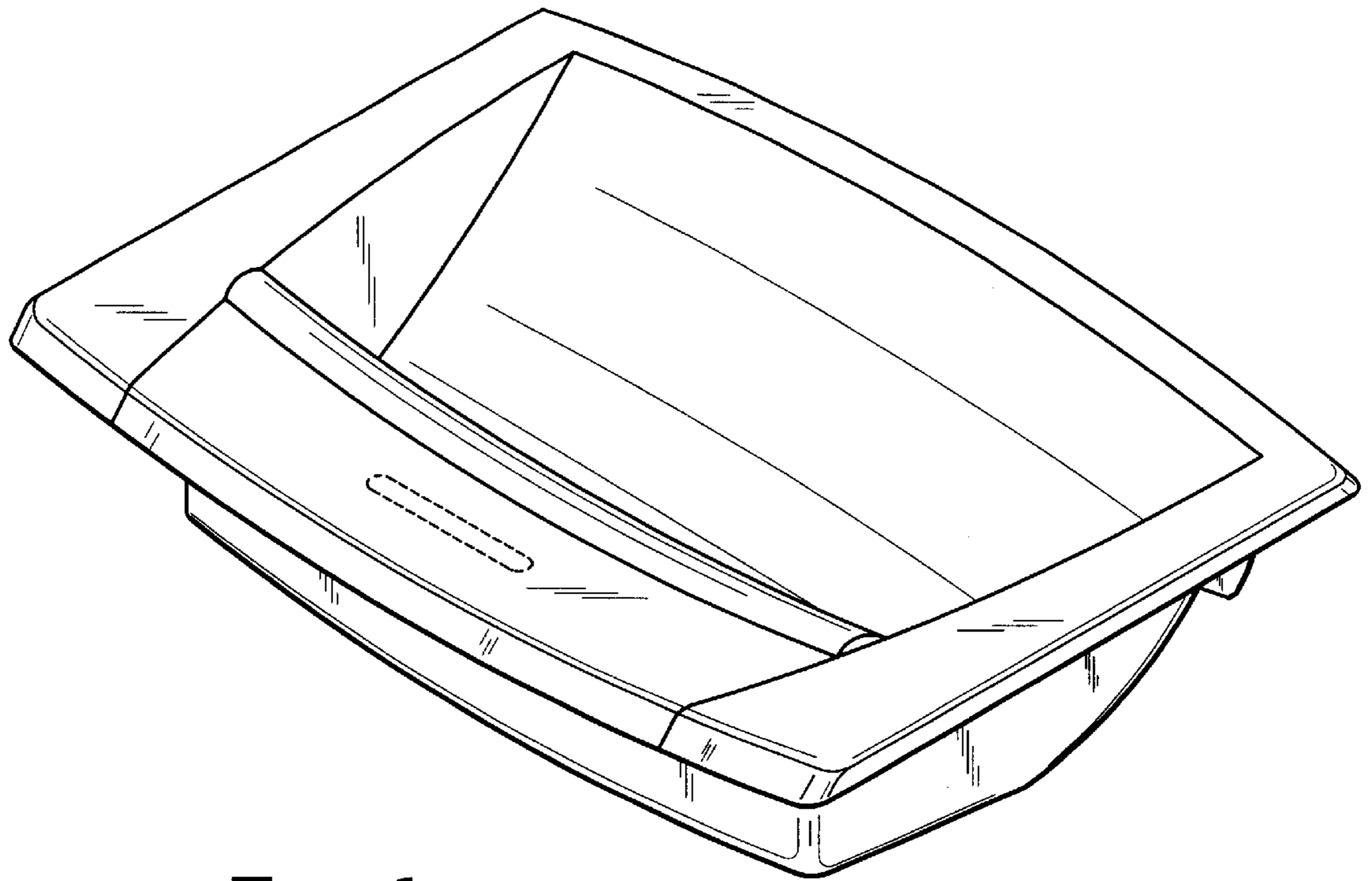


FIG. 1

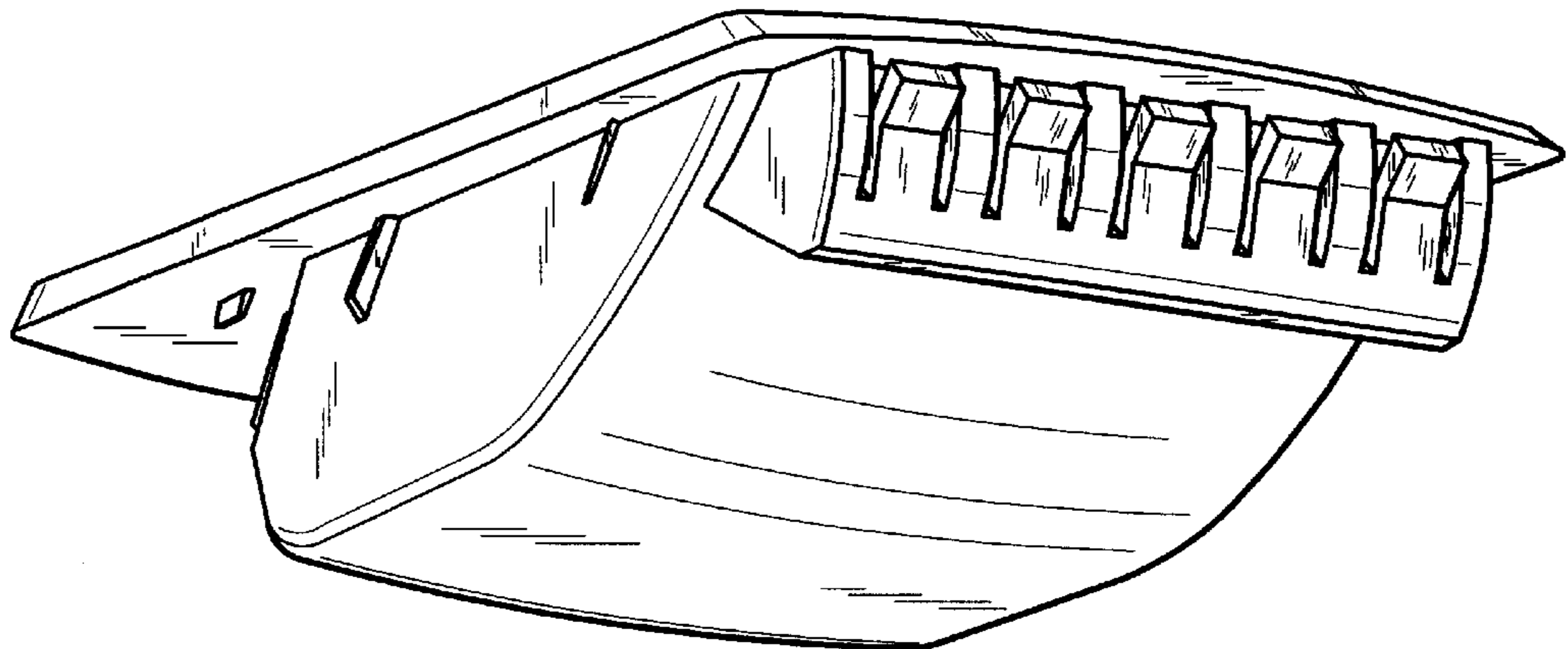


FIG. 2

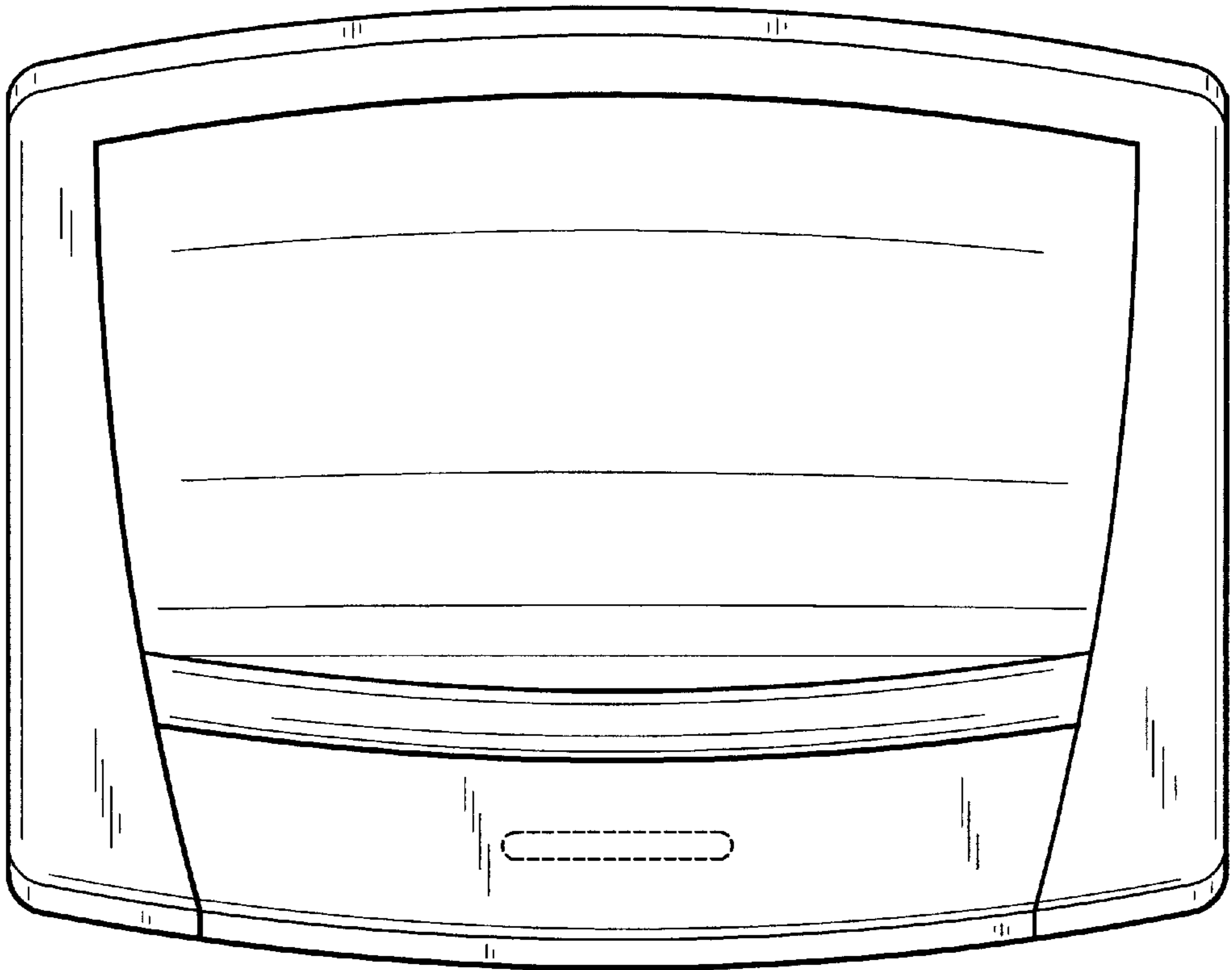


FIG. 3

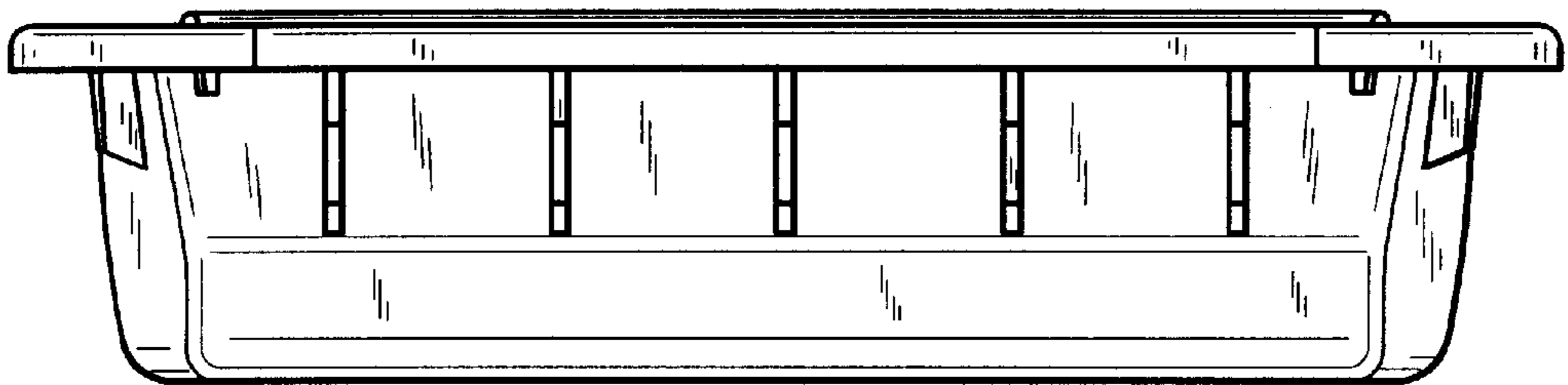


FIG. 4

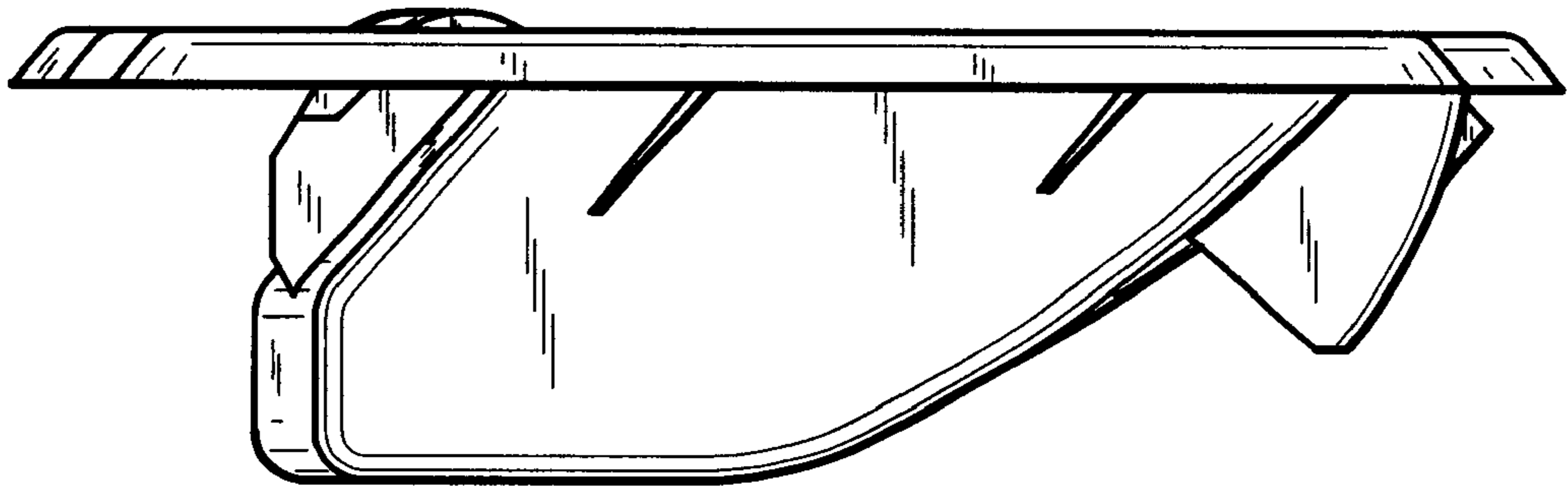


FIG. 5

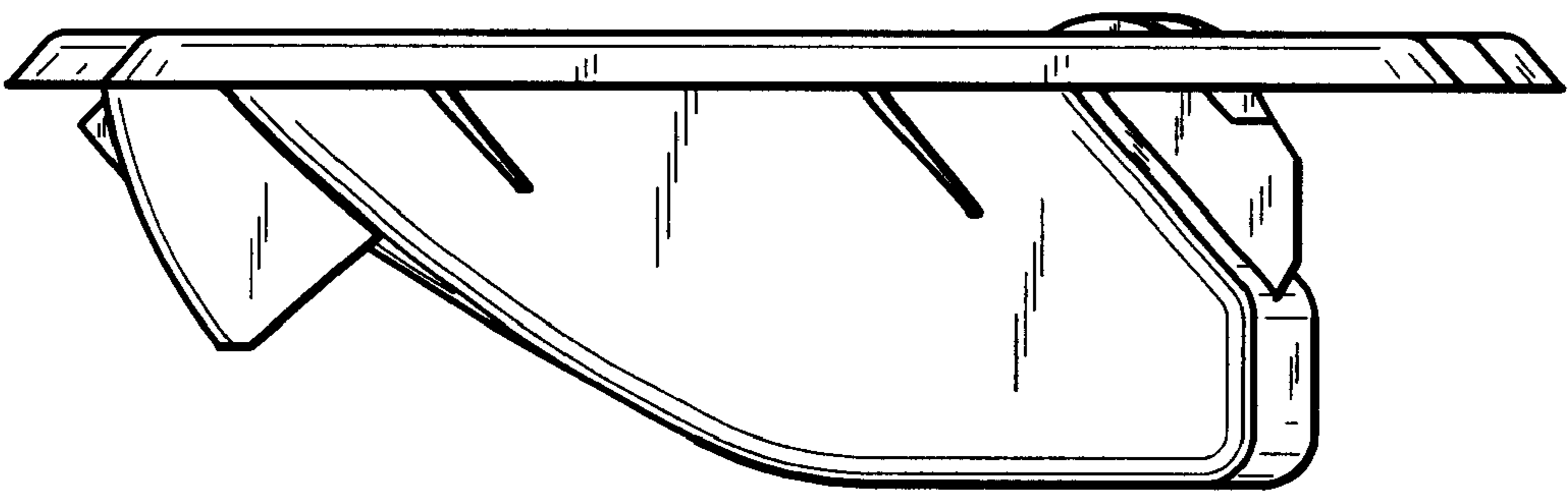


FIG. 6

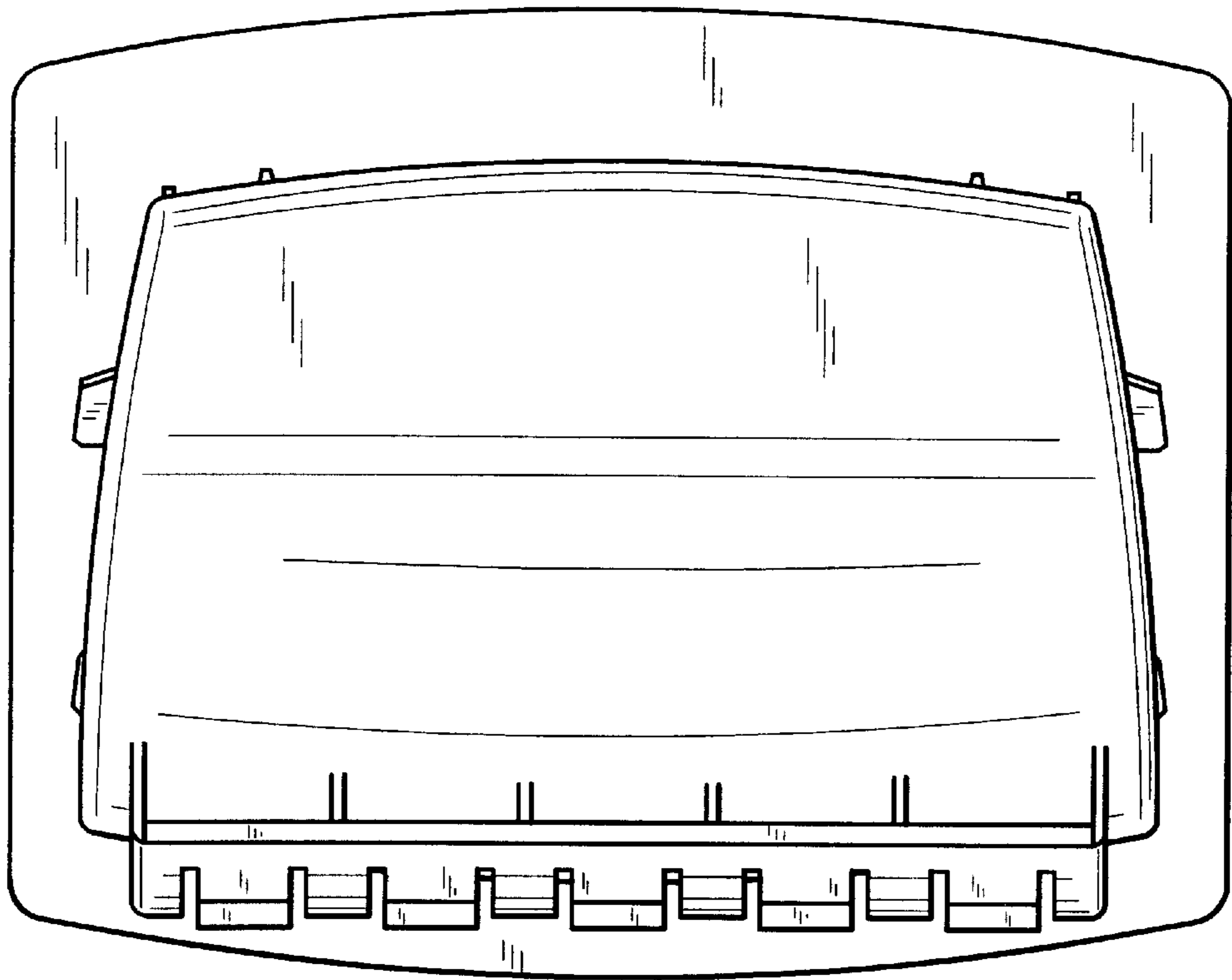


FIG. 7

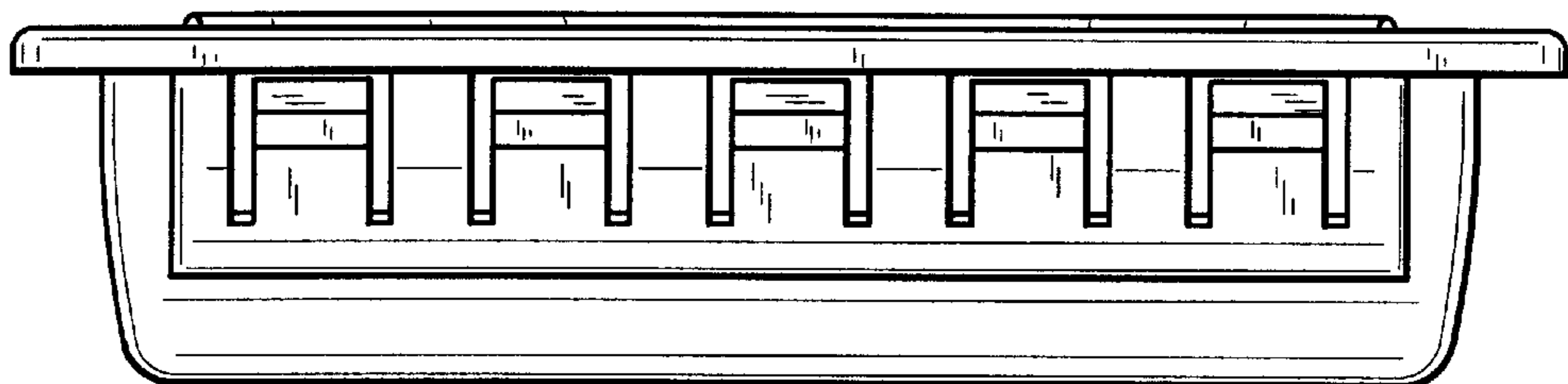


FIG. 8

UNITED STATES PATENT AND TRADEMARK OFFICE
CERTIFICATE OF CORRECTION

PATENT NO. : Des. 488,991 S
DATED : April 27, 2004
INVENTOR(S) : Alberto Bertani

Page 1 of 1

It is certified that error appears in the above-identified patent and that said Letters Patent is hereby corrected as shown below:

Title page,

Item [30], **Foreign Application Priority Data**, please insert therefor

-- August 9, 2002 International Design DM/060982 --.

Signed and Sealed this

Eighteenth Day of January, 2005

A handwritten signature in black ink that reads "Jon W. Dudas". The signature is written in a cursive style with a large, looped initial "J".

JON W. DUDAS

Director of the United States Patent and Trademark Office