



US00D488988S

(12) **United States Design Patent**  
**Draffehn**

(10) **Patent No.:** **US D488,988 S**

(45) **Date of Patent:** **\*\* Apr. 27, 2004**

(54) **TOILET SEAT HANDLE**

D432,636 S \* 10/2000 Huot ..... D23/311

(76) **Inventor:** **Peter Draffehn**, 890 Evelyn Drive,  
West Vancouver, British Columbia V7T  
1J2 (CA)

\* cited by examiner

*Primary Examiner*—B. J. Bullock  
(74) *Attorney, Agent, or Firm*—John Russell Uren

(\*\*) **Term:** **14 Years**

(57) **CLAIM**

(21) **Appl. No.:** **29/174,076**

The ornamental design for a toilet seat handle, as shown and described.

(22) **Filed:** **Jan. 8, 2003**

(51) **LOC (7) Cl.** ..... **08-06**

(52) **U.S. Cl.** ..... **D8/307**

(58) **Field of Search** ..... D8/300, 305, 307,  
D8/308, 310, 350, 351; D23/311; 4/246.1,  
246.3; 6/904, 905, 430, 443

**DESCRIPTION**

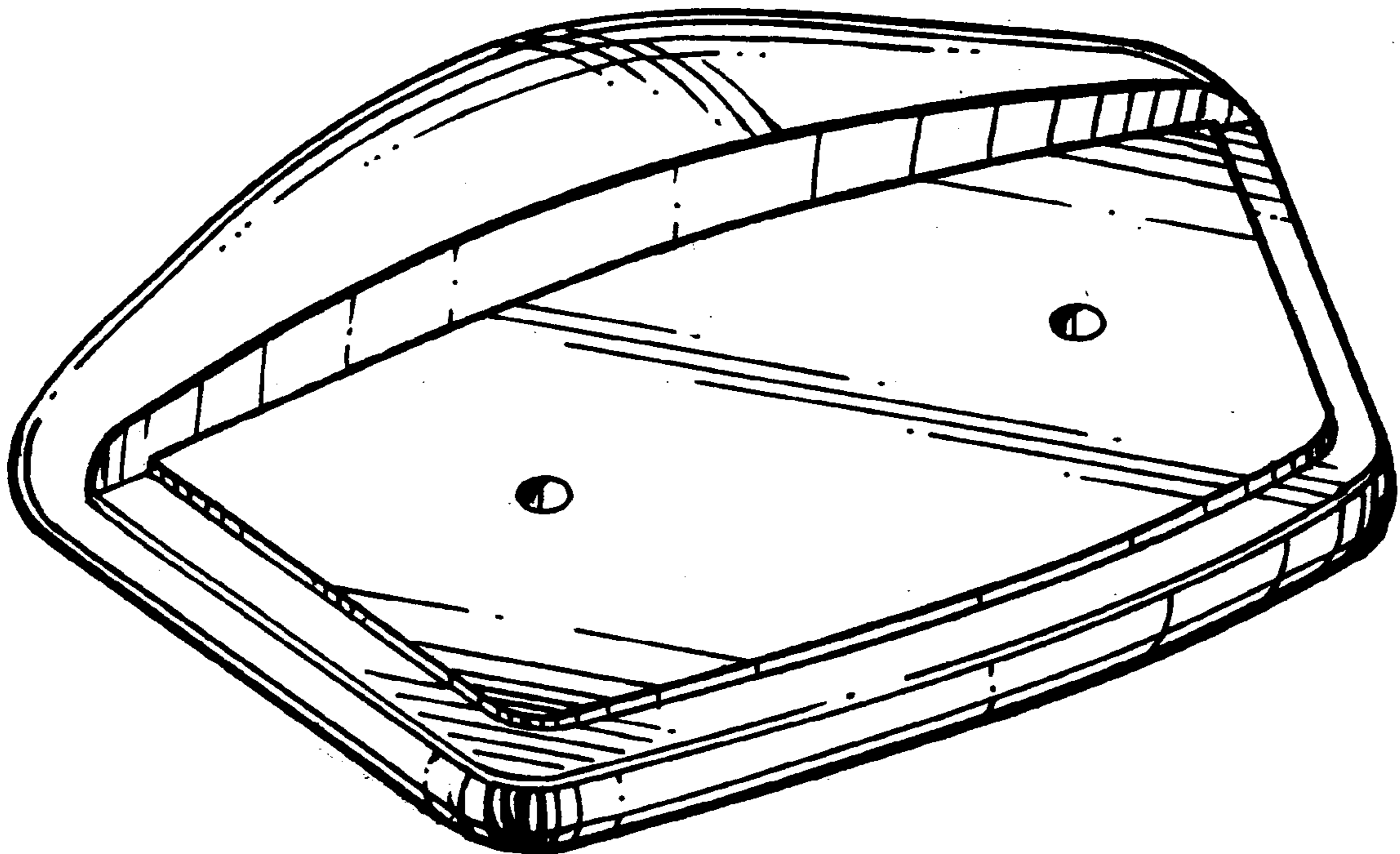
FIG. 1 is An isometric underside view of the toilet seat handle which view shows my new design;  
FIG. 2 is an upper isometric and left hand view thereof  
FIG. 3 is a top plan view thereof;  
FIG. 4 is a rear elevational view thereof;  
FIG. 5 is a bottom plan view thereof;  
FIG. 6 is a front elevational view thereof;  
FIG. 7 is an elevational view from the right side thereof; and,  
FIG. 8 is an elevational view from the left side thereof.  
FIGS. 2-8 are shown on an enlarged scale.  
The broken lines are for illustrative purposes only and form no part of the claimed design.

(56) **References Cited**

**U.S. PATENT DOCUMENTS**

3,717,884 A	*	2/1973	Mantooth	.....	4/246.1
4,742,582 A	*	5/1988	Giallourakis	.....	4/246.1
D308,813 S	*	6/1990	Robinson	.....	D8/307
D380,531 S	*	7/1997	Rostan-Frenzel	.....	D8/307
D391,467 S	*	3/1998	Cooke	.....	D8/307
D406,883 S	*	3/1999	Bell	.....	D23/311
D426,875 S	*	6/2000	Weatherbee	.....	D23/311

**1 Claim, 4 Drawing Sheets**



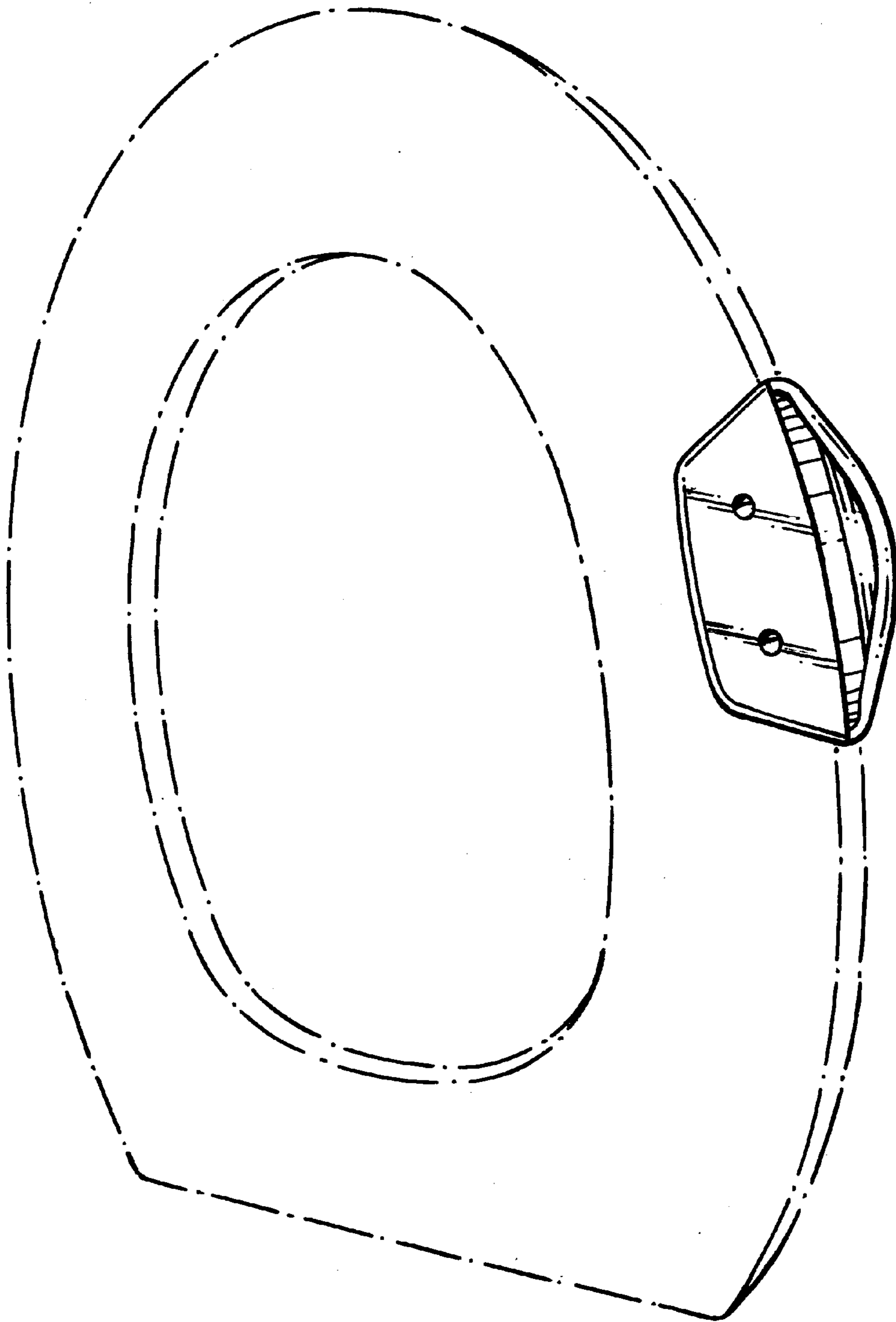


FIG. 1

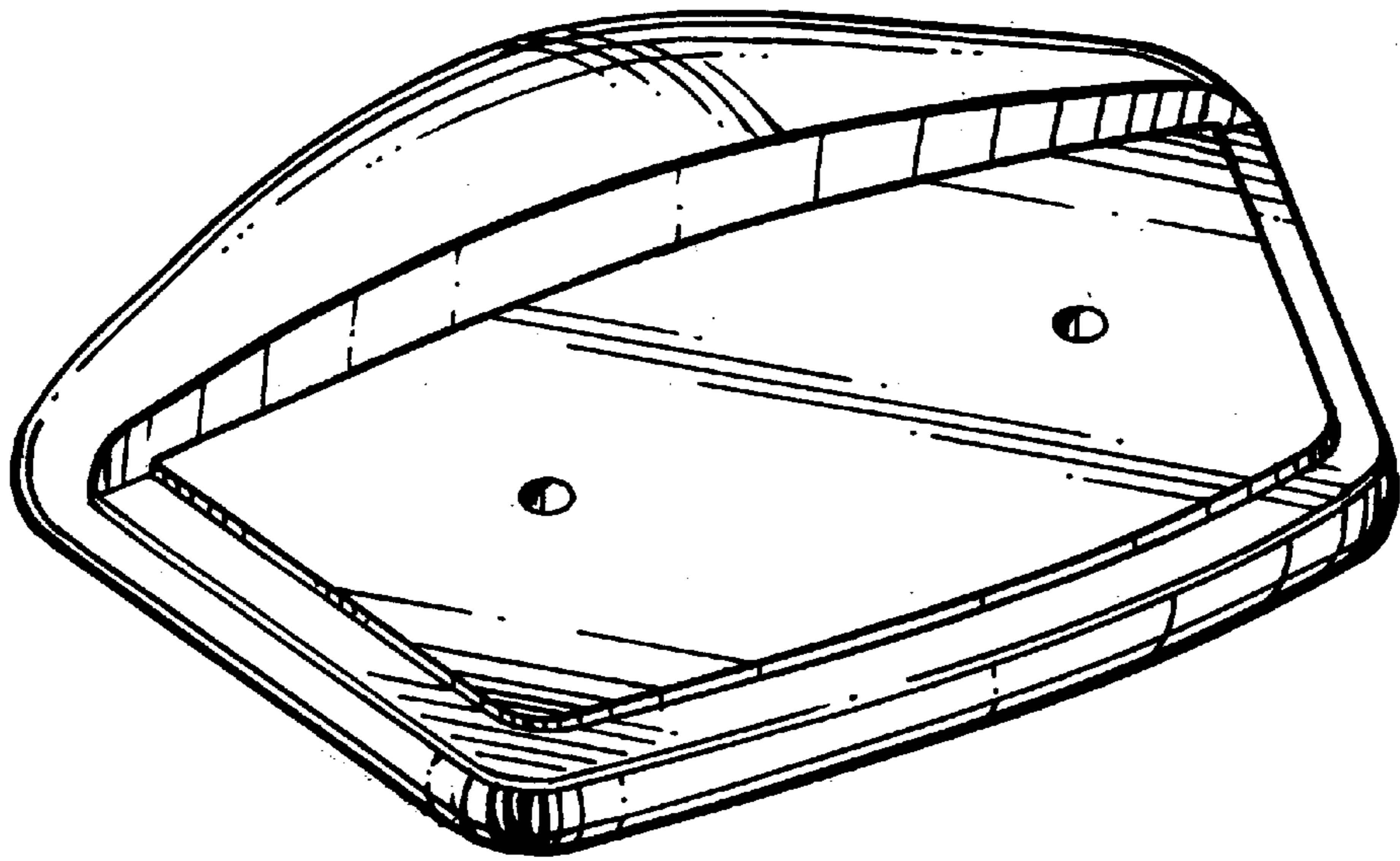


FIG. 2

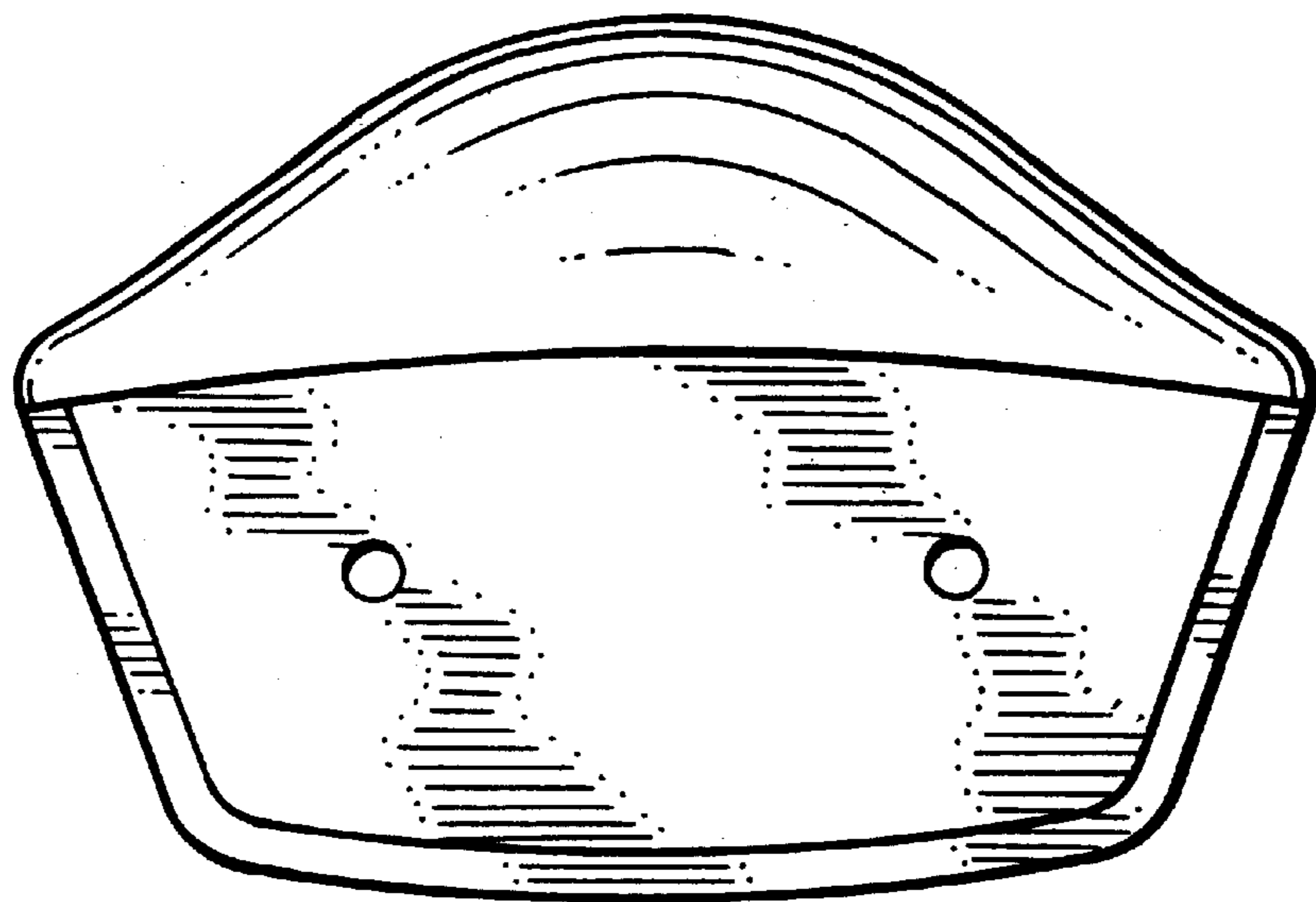


FIG. 3

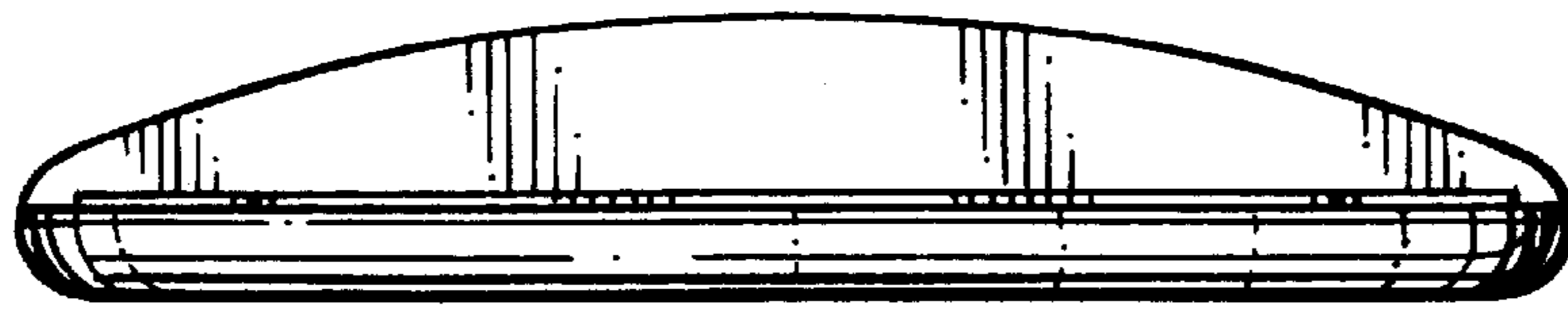


FIG. 4

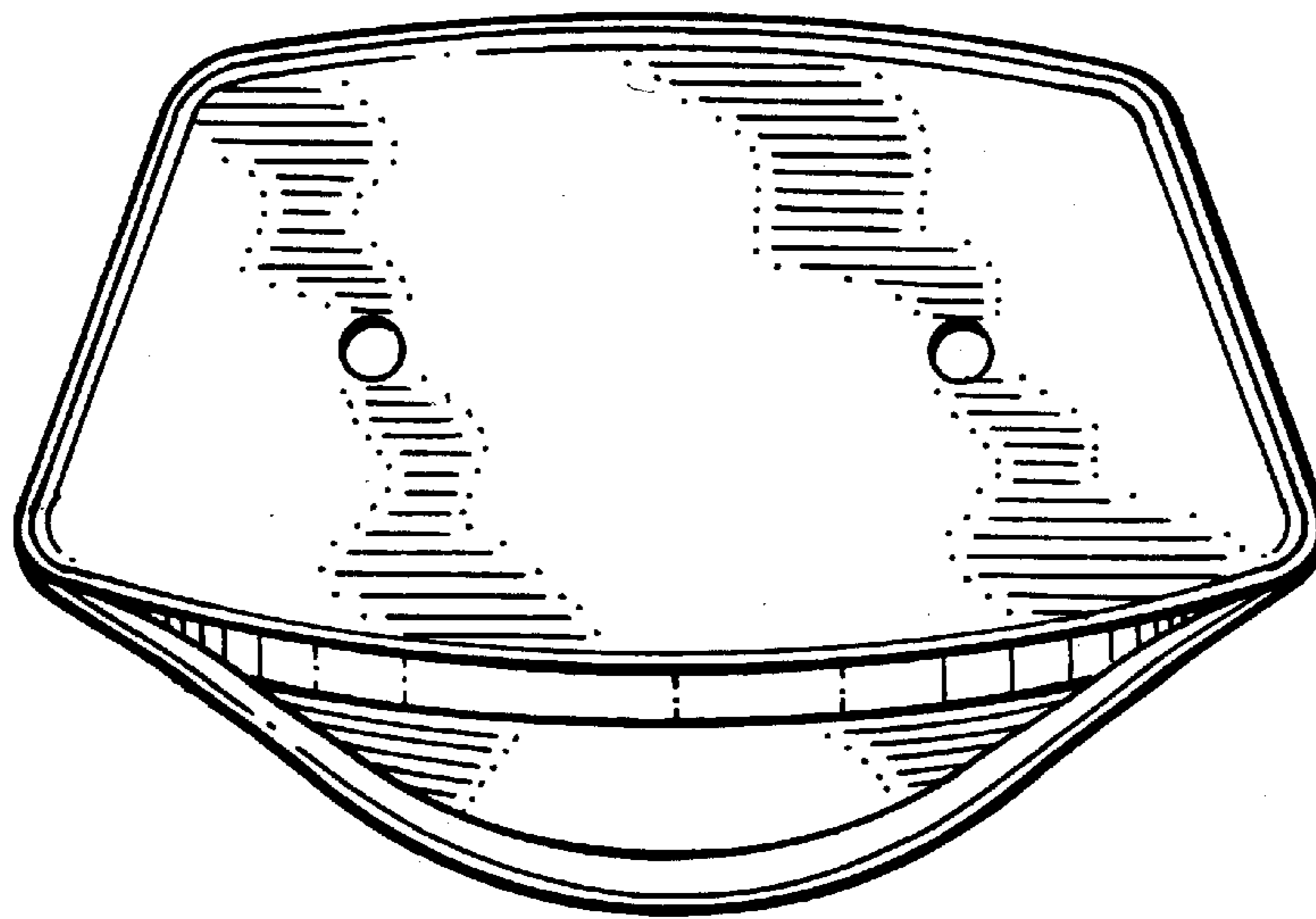


FIG. 5



FIG. 6

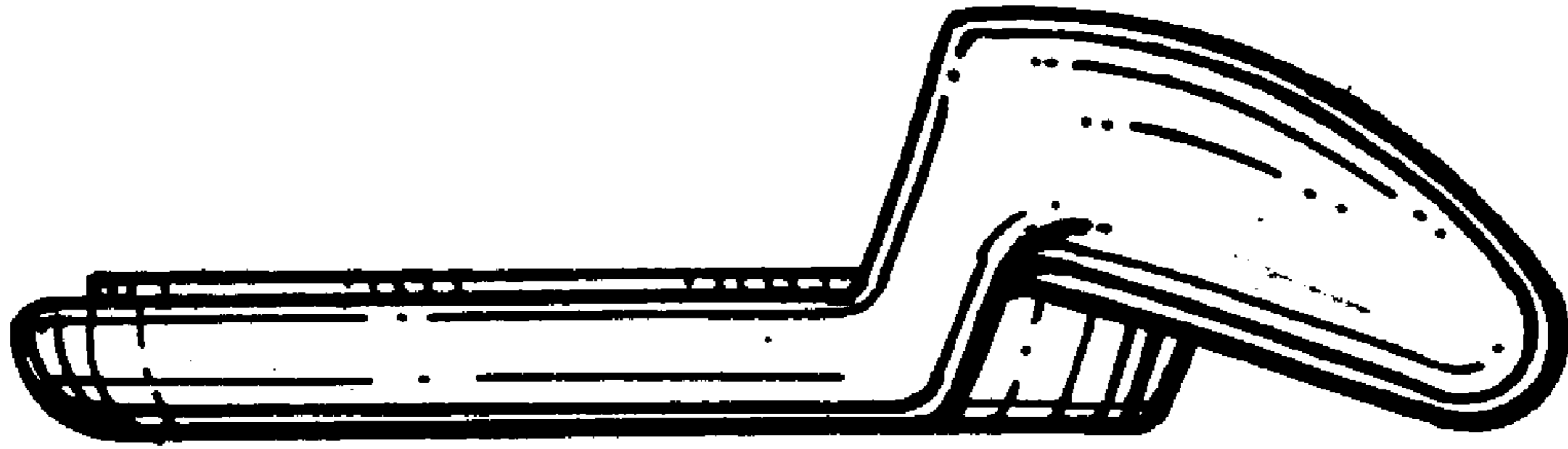


FIG. 7

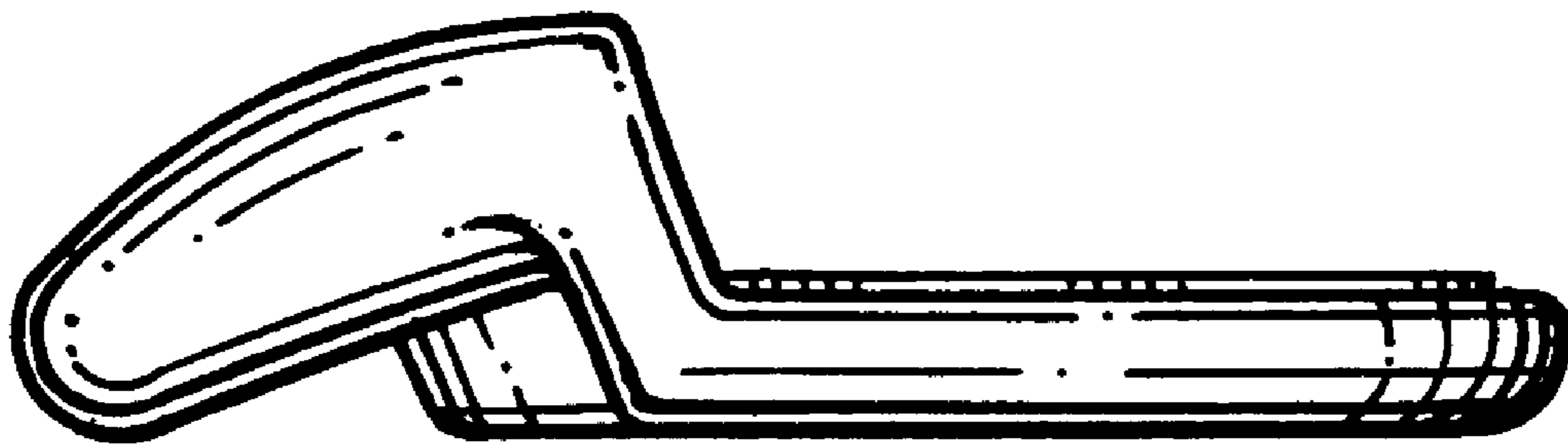


FIG. 8