



US00D488983S

(12) **United States Design Patent**
Linares

(10) **Patent No.:** **US D488,983 S**

(45) **Date of Patent:** **** Apr. 27, 2004**

(54) **L-HANDLE**

(75) **Inventor:** **Rodolfo Linares, Whittier, CA (US)**

(73) **Assignee:** **S.P.E.P. Acquisition Corporation,**
Rancho Dominguez, CA (US)

(**) **Term:** **14 Years**

(21) **Appl. No.:** **29/168,324**

(22) **Filed:** **Sep. 30, 2002**

(51) **LOC (7) Cl.** **08-06**

(52) **U.S. Cl.** **D8/301; D8/308**

(58) **Field of Search** **D8/300-302, 308,**
D8/350; 70/452; 16/402, 110.7, 412; 292/336.3,
357

(56) **References Cited**

U.S. PATENT DOCUMENTS

D189,962 S	*	3/1961	Maffel	D8/308
3,452,564 A	*	7/1969	Hallgren	70/452
4,484,462 A	*	11/1984	Berkowitz	70/368

6,068,308 A	*	5/2000	Molzer	292/336.3
D444,694 S	*	7/2001	Alvarado	D8/301
6,546,765 B1	*	4/2003	Linares	16/412

* cited by examiner

Primary Examiner—Adir Aronovich

(74) *Attorney, Agent, or Firm*—Christie, Parker & Hale, LLP

(57) **CLAIM**

The ornamental design for an L-handle, as shown and described.

DESCRIPTION

FIG. 1 is a front elevational view of an L-handle of the invention;
 FIG. 2 is a front-right perspective view of the invention;
 FIG. 3 is a right side view of the invention;
 FIG. 4 is a rear elevational view of the invention;
 FIG. 5 is a left side view of the invention;
 FIG. 6 is a top view of the invention; and,
 FIG. 7 is a bottom view of the invention.

1 Claim, 7 Drawing Sheets

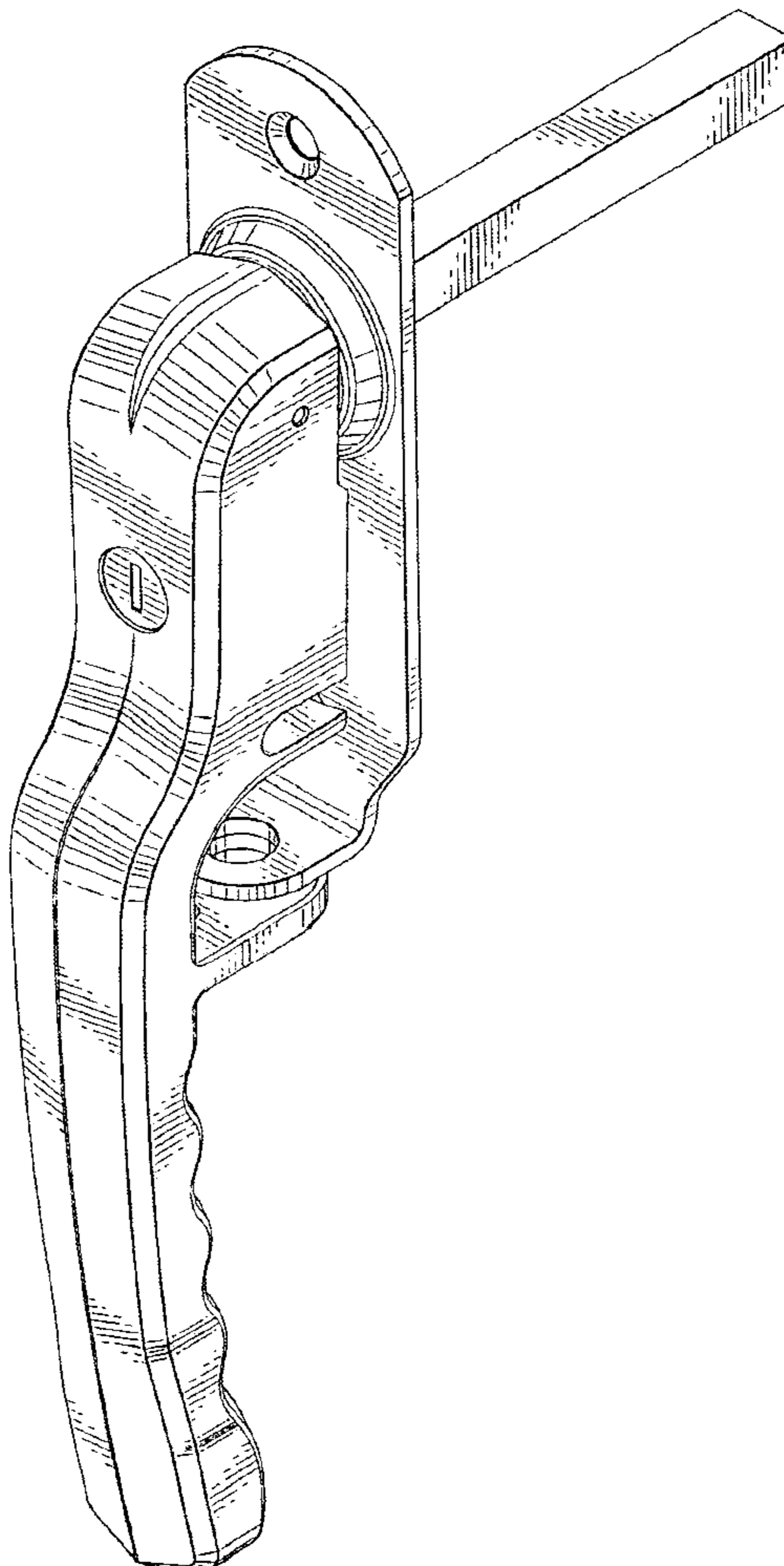


FIG. 1

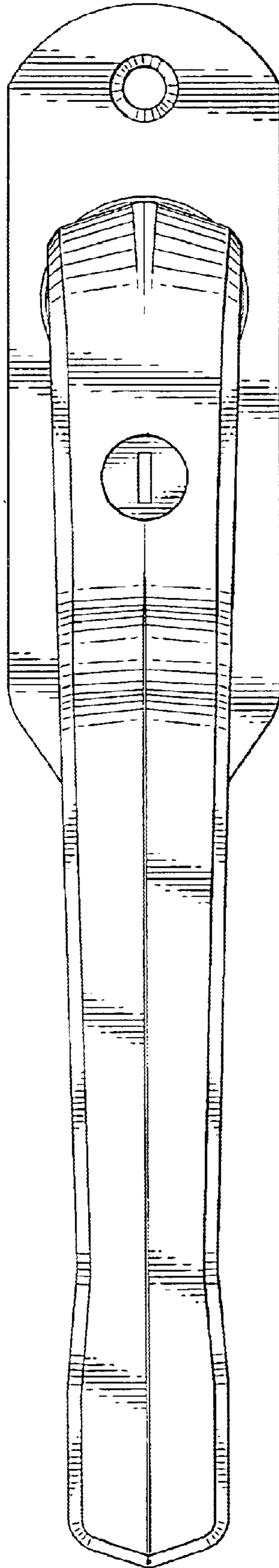


FIG. 2

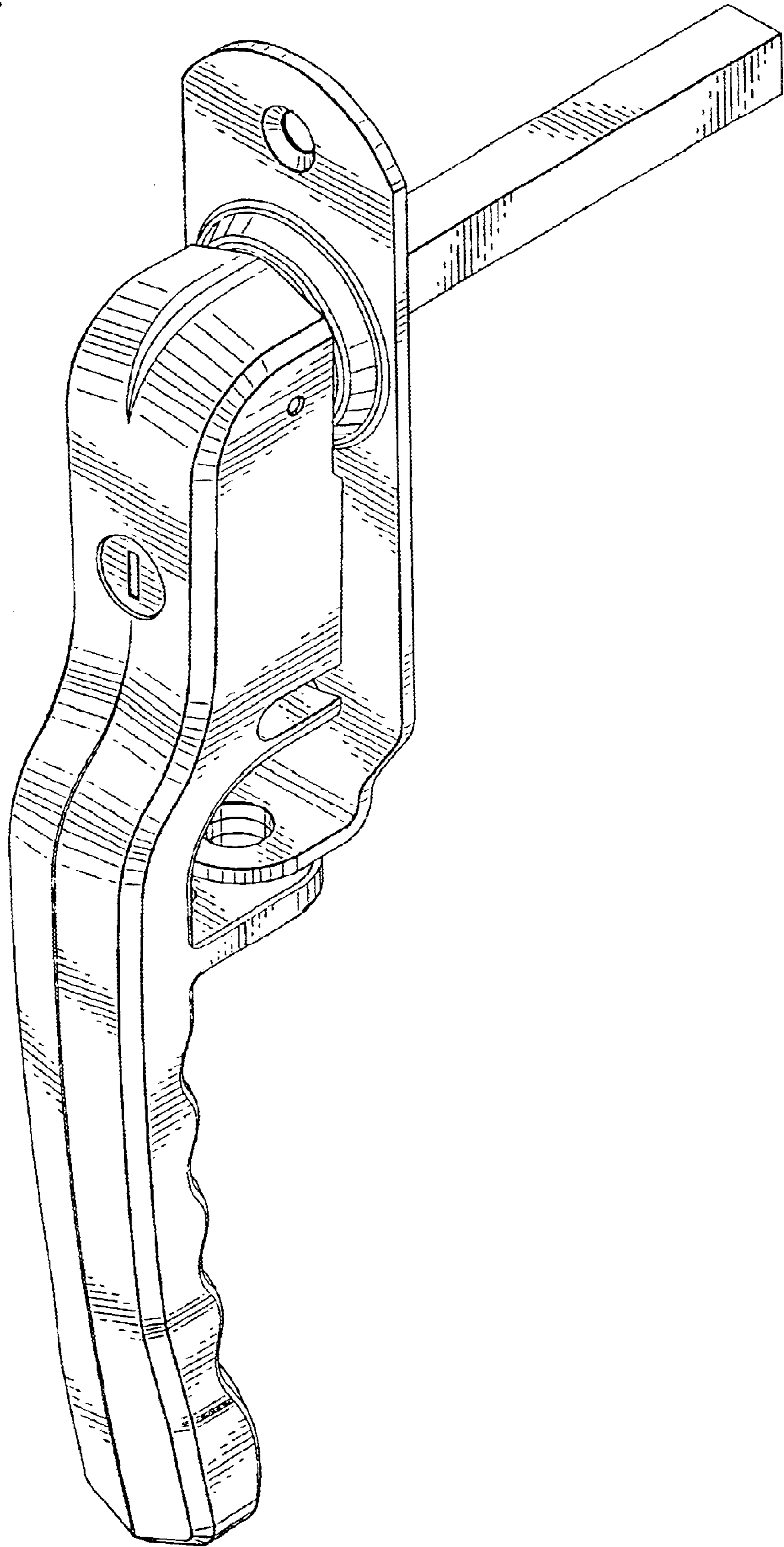


FIG. 3

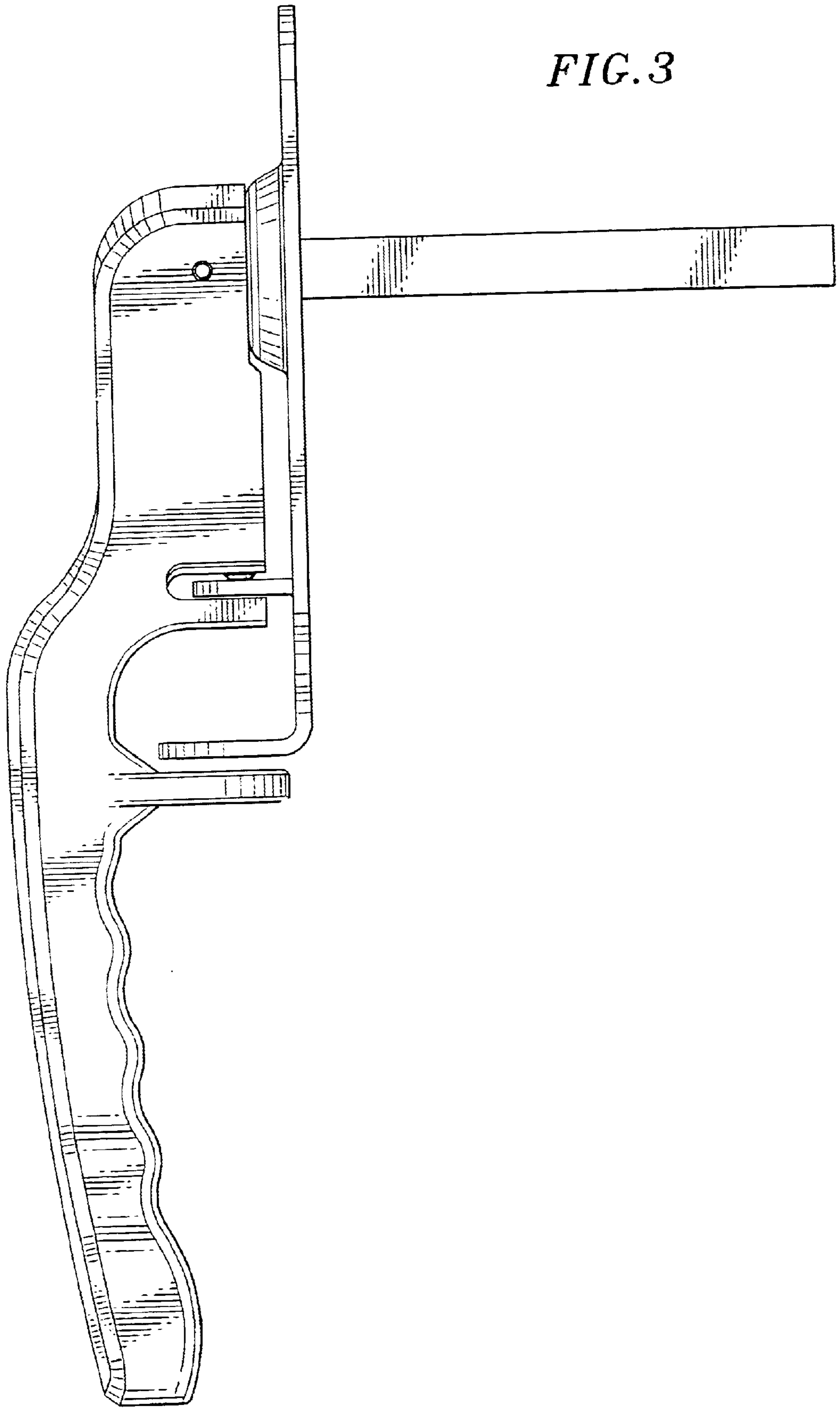


FIG. 4

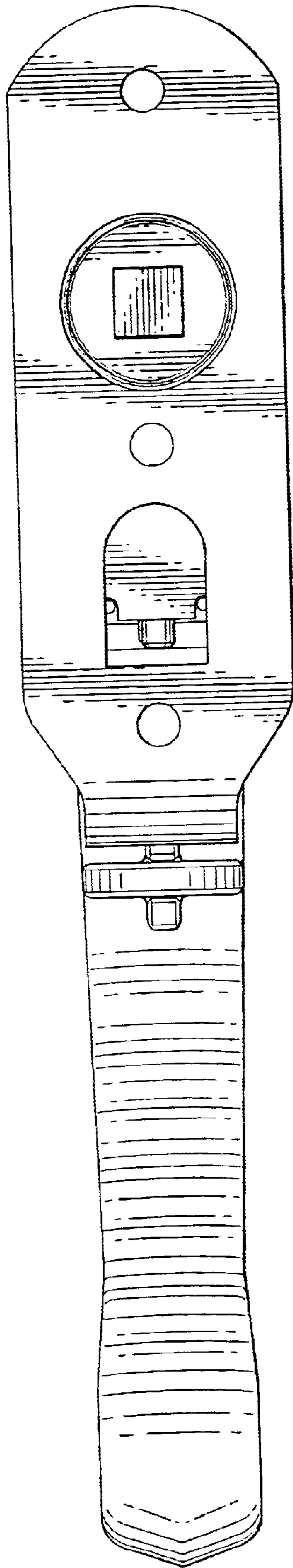


FIG. 5

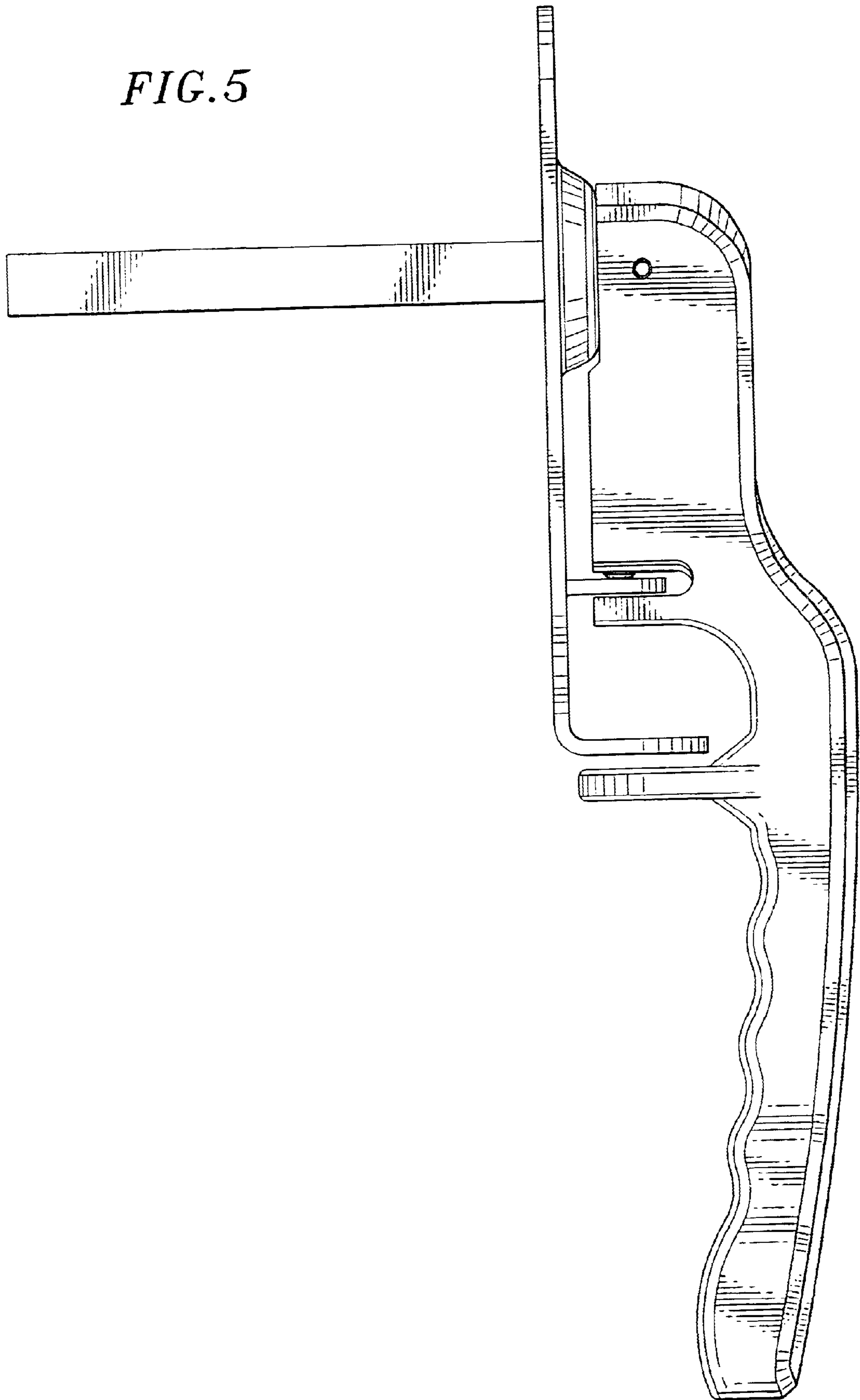


FIG. 6

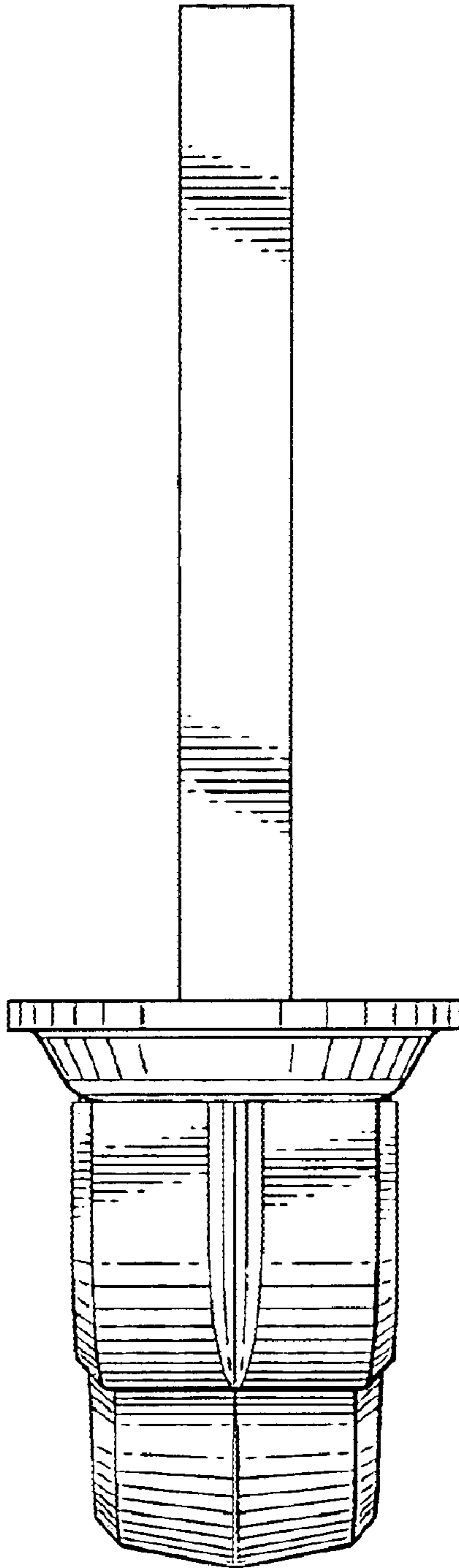


FIG. 7

