



US00D488980S

(12) **United States Design Patent**
Bradshaw

(10) **Patent No.:** **US D488,980 S**

(45) **Date of Patent:** **** Apr. 27, 2004**

(54) **KNIFE SHARPENER**

5,477,753 A * 12/1995 Branscum et al. 76/82

(75) Inventor: **Brett Bradshaw**, Laguna Beach, CA (US)

* cited by examiner

(73) Assignee: **Bradshaw International, Inc.**, Rancho Cucamonga, CA (US)

Primary Examiner—Terry A. Wallace

(74) *Attorney, Agent, or Firm*—Birch, Stewart, Kolasch & Birch, LLP

(**) Term: **14 Years**

(57) **CLAIM**

The ornamental design for a knife sharpener, as shown and described.

(21) Appl. No.: **29/173,079**

(22) Filed: **Dec. 23, 2002**

DESCRIPTION

(51) **LOC (7) Cl.** **08-05**

(52) **U.S. Cl.** **D8/93; D7/637**

(58) **Field of Search** D7/637-641; D19/75, D19/77, 78, 81, 84; D8/90, 91, 93; 76/82, 86, 88; 211/13.1, 70, 70.6, 70.7; 248/37.3, 37.6; 269/16, 289 R; 451/552-555, 45

FIG. 1 is a front, right perspective view of the knife sharpener showing my new design; FIG. 2 is a front view thereof; FIG. 3 is a rear view thereof; FIG. 4 is a right side view thereof; FIG. 5 is a left side view thereof; and, FIG. 6 is a top plan view thereof.

(56) **References Cited**

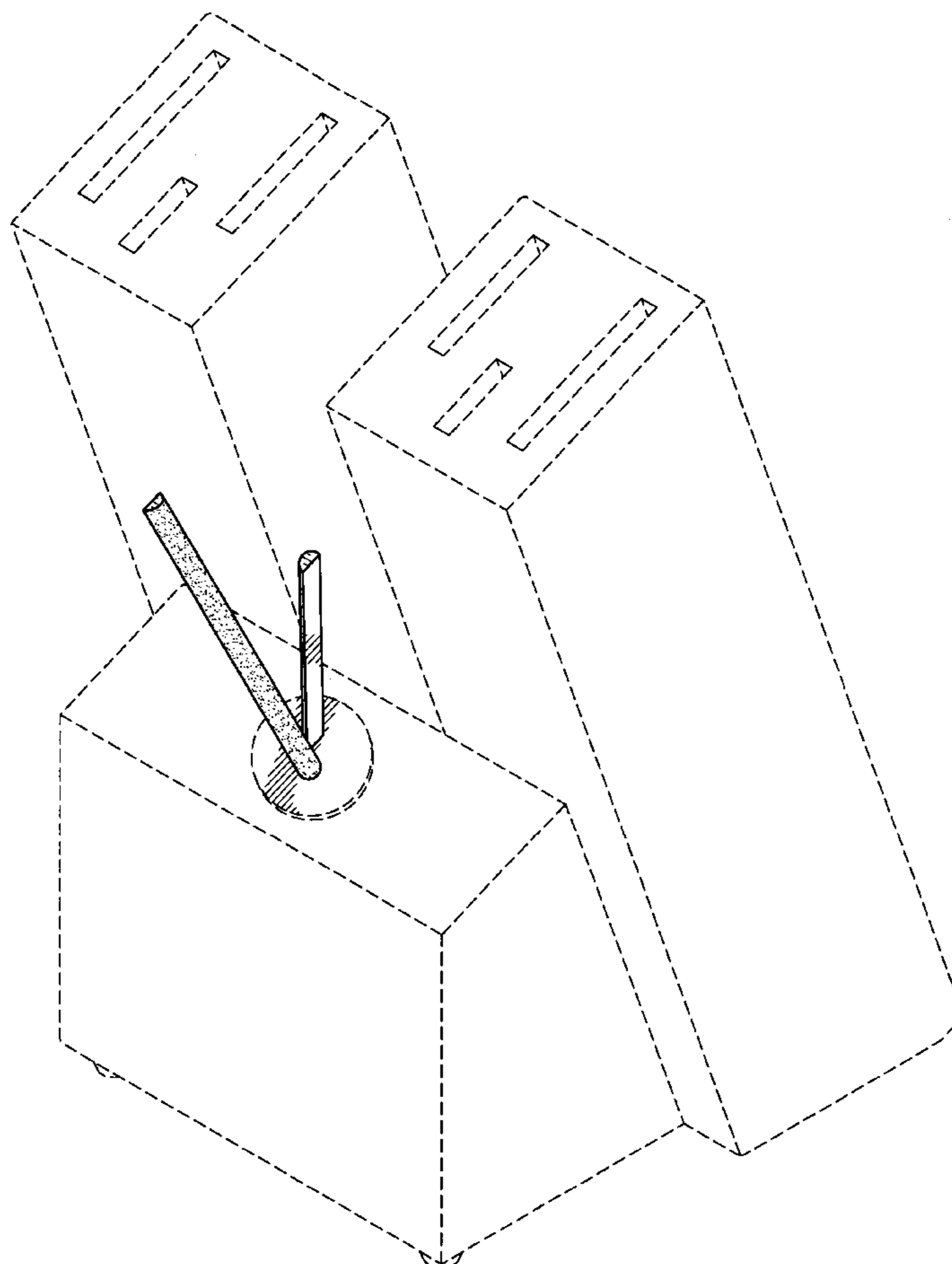
The bottom of the base of the knife sharpener is substantially flat and unornamented.

U.S. PATENT DOCUMENTS

The particular shape of the periphery of the base of the knife sharpener, as well as other features shown in broken lines in FIGS. 1-7, do not form part of the claimed design.

4,231,194 A	*	11/1980	Glesser	451/552
D290,222 S	*	6/1987	Moody	D8/91
4,912,885 A	*	4/1990	Bonapace	451/552
D328,847 S	*	8/1992	Button et al.	D8/93

1 Claim, 6 Drawing Sheets



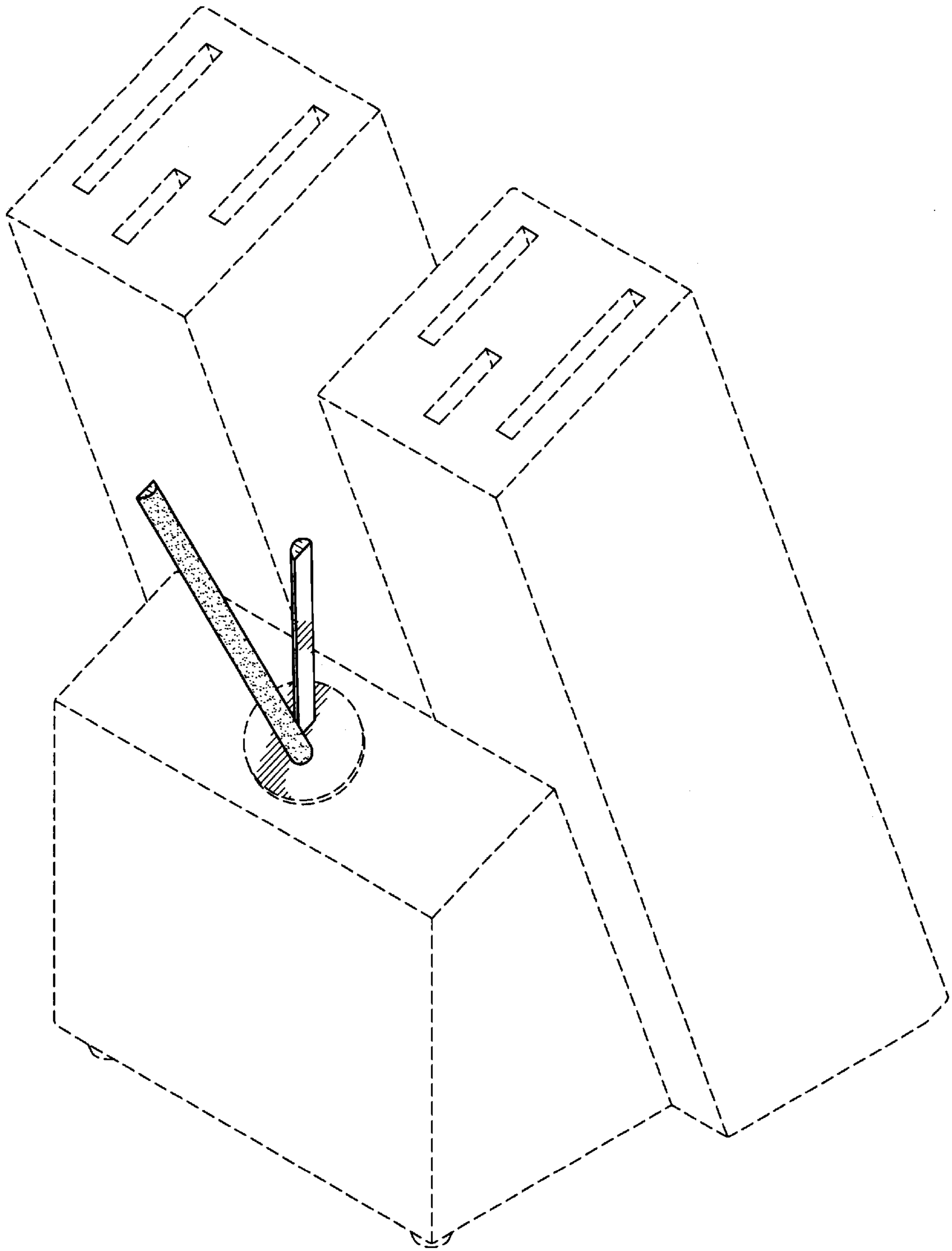


FIG.1

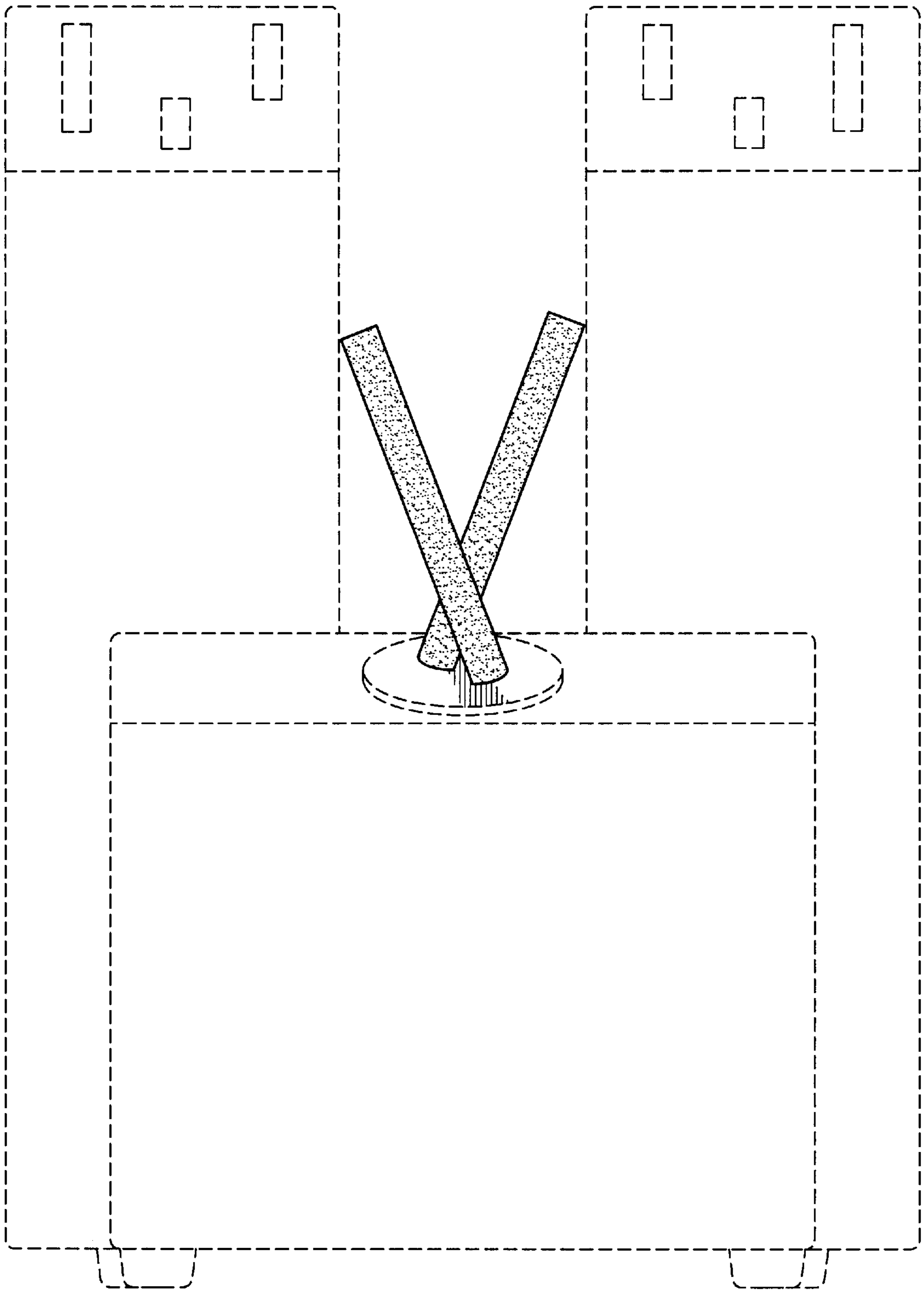


FIG. 2

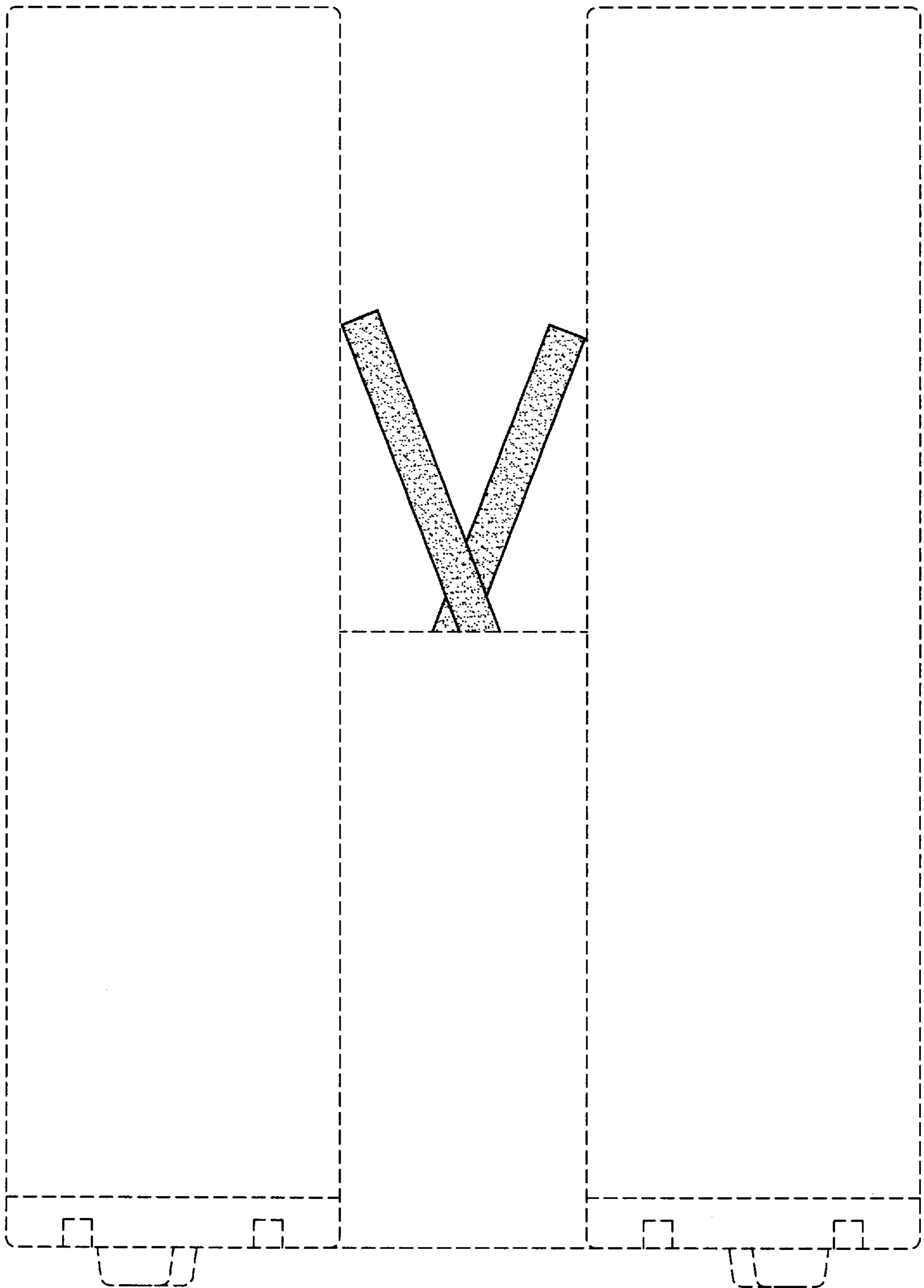


FIG. 3

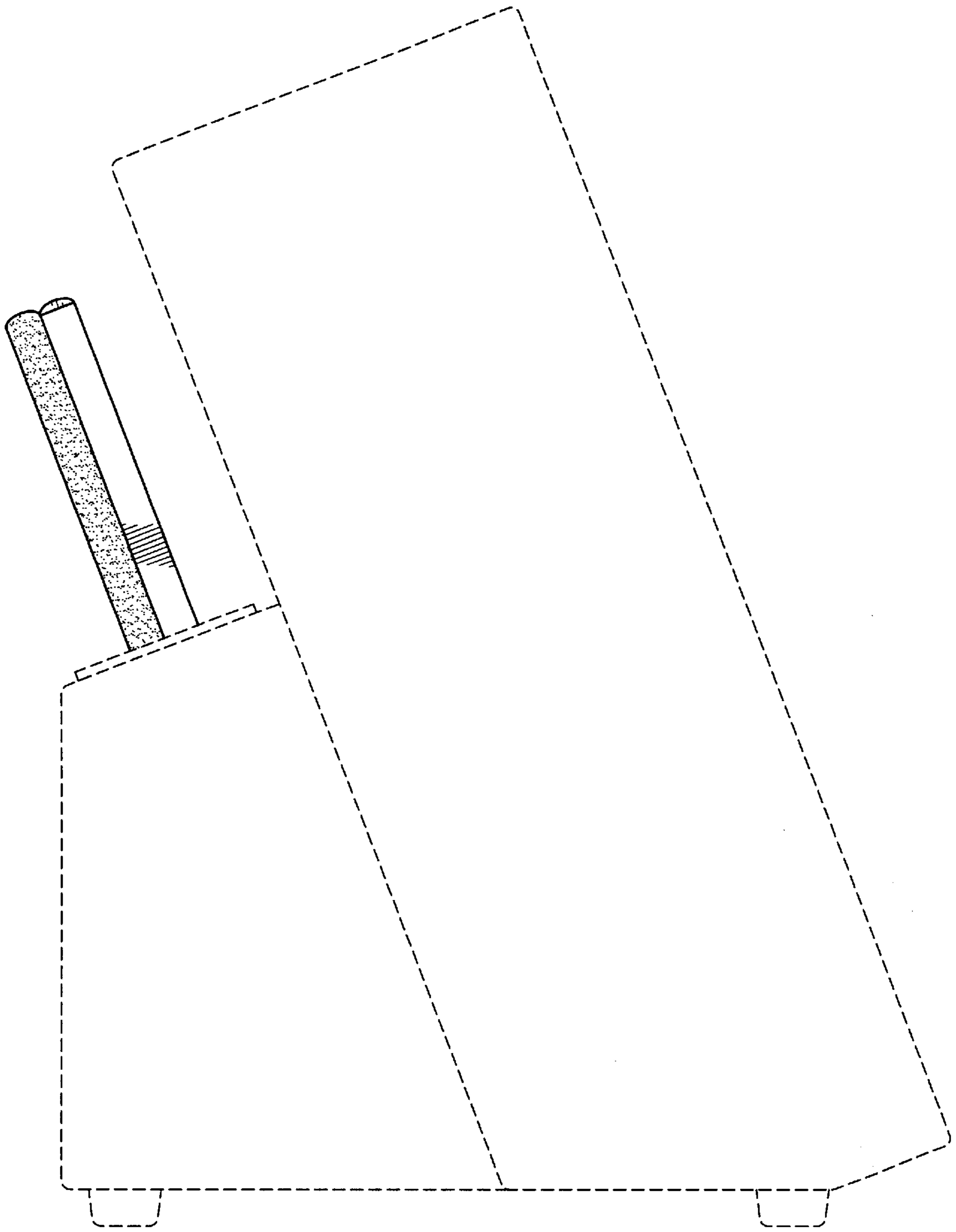


FIG. 4

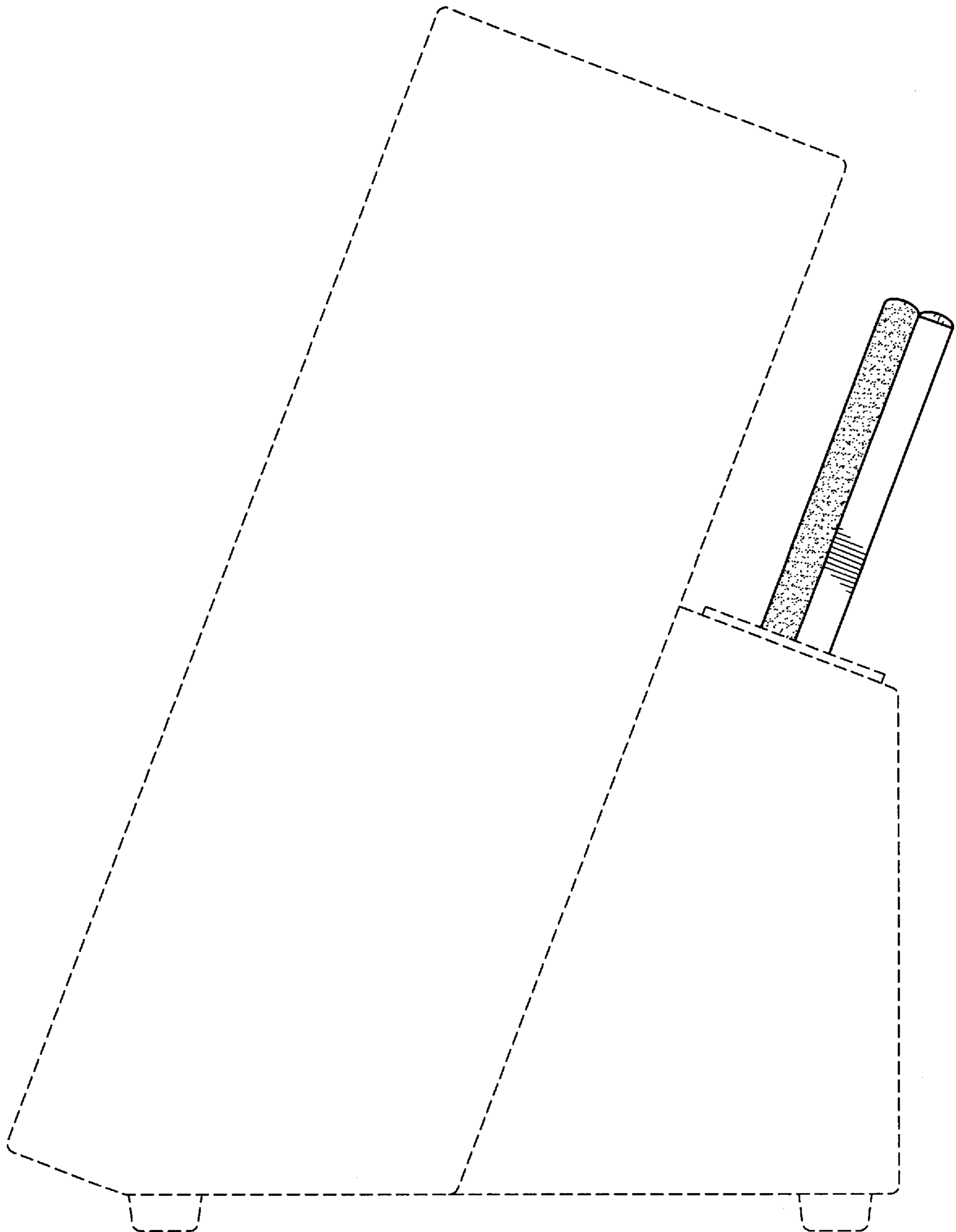


FIG.5

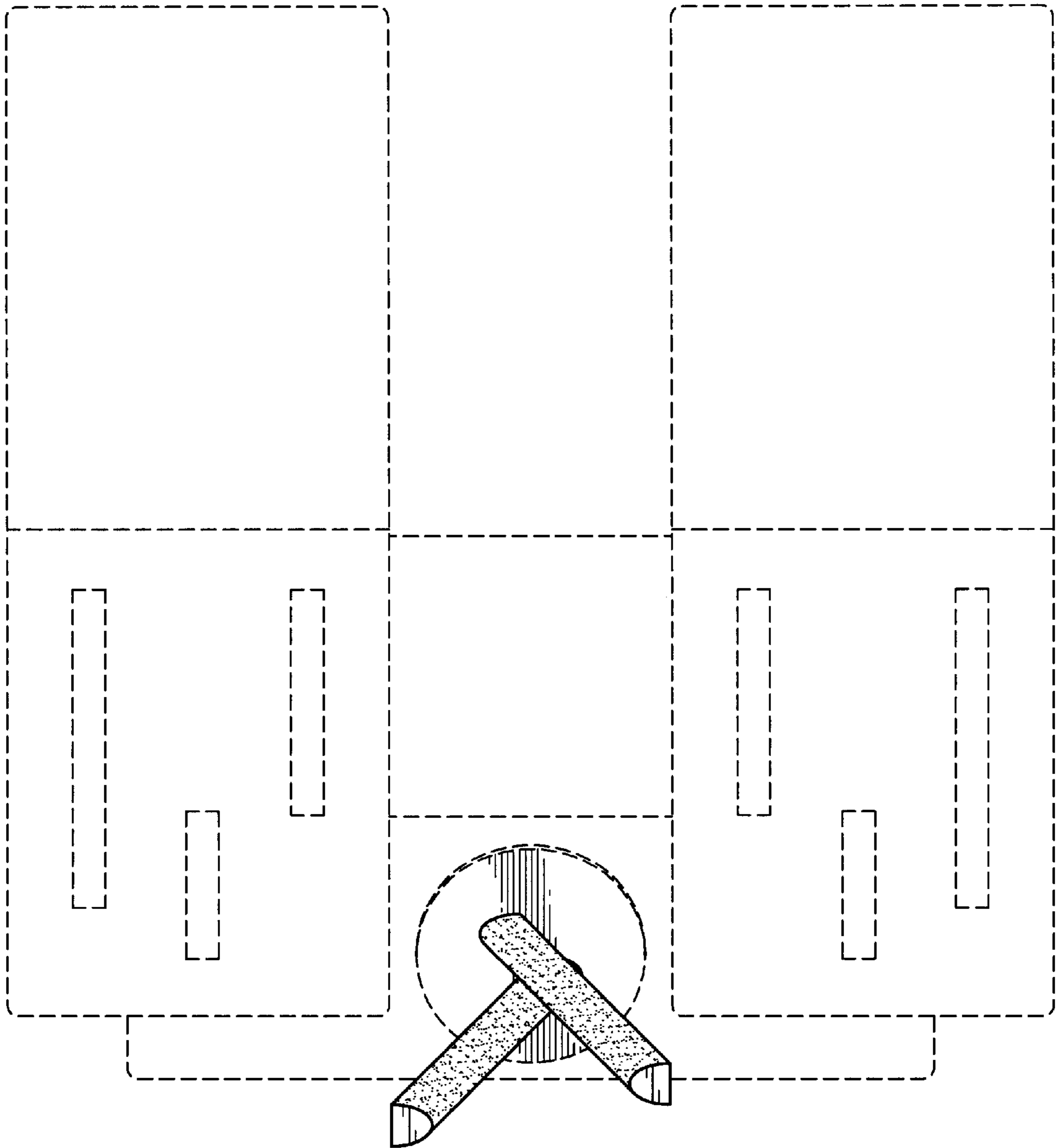


FIG. 6