



US00D488978S

(12) **United States Design Patent**
Cheung

(10) **Patent No.:** **US D488,978 S**

(45) **Date of Patent:** **** Apr. 27, 2004**

(54) **HAMMER DRILL**

(75) **Inventor:** **Benson Chun Kit Cheung, Kowloon (HK)**

(73) **Assignee:** **One World Technologies, Hamilton (BM)**

(**) **Term:** **14 Years**

(21) **Appl. No.:** **29/170,907**

(22) **Filed:** **Nov. 13, 2002**

(51) **LOC (7) Cl.** **08-01**

(52) **U.S. Cl.** **D8/68**

(58) **Field of Search** D8/61, 62, 63, D8/64, 65, 66, 67, 68, 69, 70; 81/57.11, 429, 464, 465, 466, 469, 489; 173/13, 169, 178, 213, 217; 227/8, 114, 120, 130, 136, 142; 310/50; 408/20, 124, 125, 234, 241 R; 451/358

(56) **References Cited**

U.S. PATENT DOCUMENTS

| | | | | | |
|-------------|---|---------|-----------------|-------|---------|
| D279,862 S | * | 7/1985 | Sato et al. | | D8/61 |
| D279,957 S | * | 8/1985 | Akazawa et al. | | D8/61 |
| D280,797 S | * | 10/1985 | Sakamoto et al. | | D8/61 |
| 4,689,534 A | * | 8/1987 | Gerber et al. | | 310/50 |
| 5,056,607 A | * | 10/1991 | Sanders | | 173/217 |
| D332,208 S | * | 1/1993 | Sakamoto et al. | | D8/68 |
| D339,727 S | * | 9/1993 | Kikuchi | | D8/68 |
| D396,395 S | * | 7/1998 | Zurwelle | | D8/68 |
| D406,511 S | * | 3/1999 | Zurwelle | | D8/68 |

| | | | | | |
|------------|---|--------|---------------|-------|-------|
| D406,741 S | * | 3/1999 | Zurwelle | | D8/68 |
| D406,742 S | * | 3/1999 | Schoen et al. | | D8/68 |
| D439,123 S | * | 3/2001 | Sakai et al. | | D8/68 |
| D470,737 S | * | 2/2003 | Chunn et al. | | D8/68 |

OTHER PUBLICATIONS

Drills, p. 84 of the Skil Power Tools & Accessories catalogue, c. 1995.*

Drills, p. 22 of the DeWalt Tool catalogue, c. 1998.*

* cited by examiner

Primary Examiner—Doris V. Coles

Assistant Examiner—T. Chase Nelson

(74) *Attorney, Agent, or Firm*—Andrew Y. Pang; Nexson Pruet Jacobs & Pollard, LLC

(57) **CLAIM**

The ornamental design for a hammer drill, as shown and described.

DESCRIPTION

FIG. 1 is a right side perspective view of the hammer drill of the present invention.

FIG. 2 is a right side elevational view of the hammer drill shown thereof;

FIG. 3 is a left side elevational view of the hammer drill shown thereof;

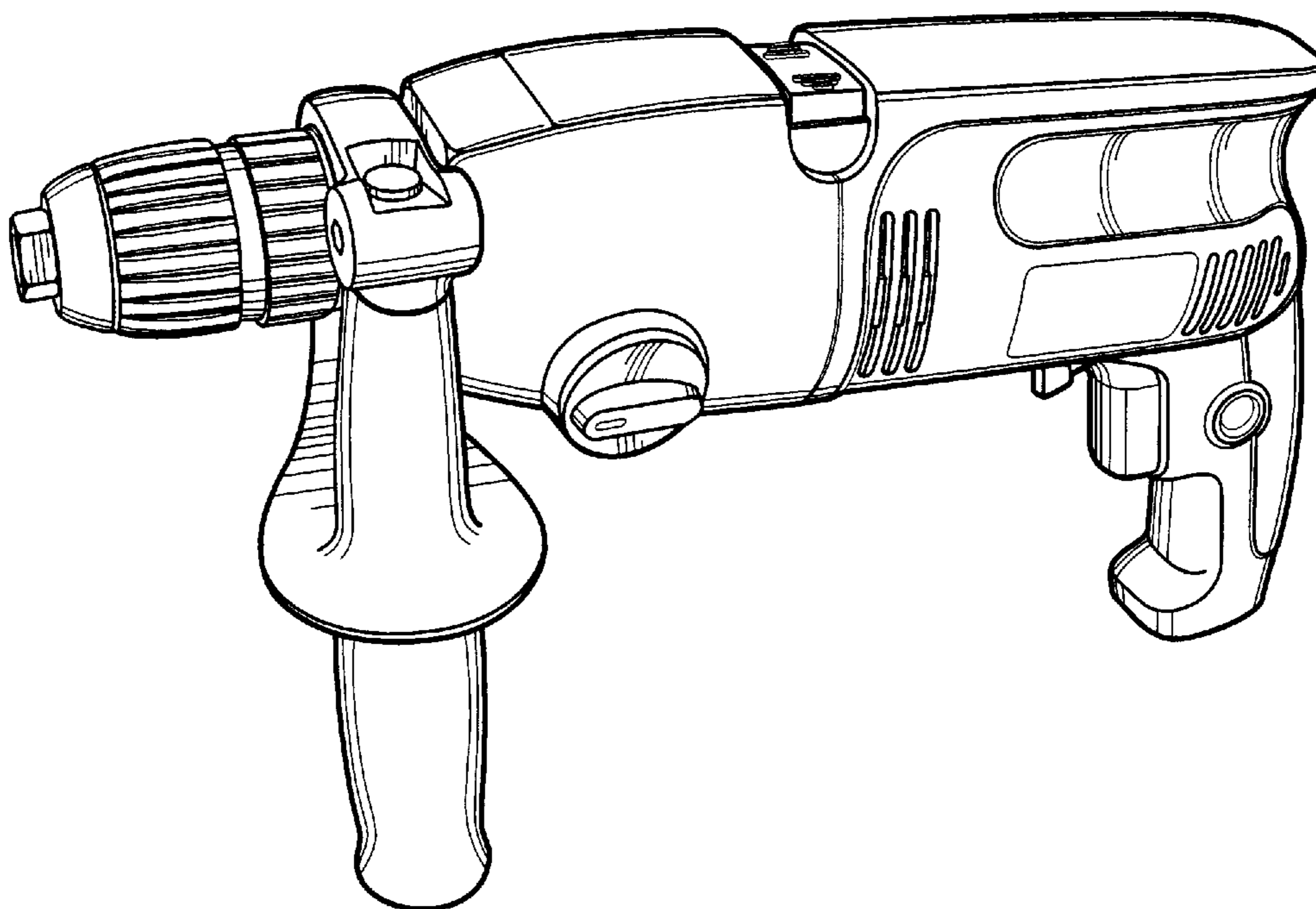
FIG. 4 is a front end view of the hammer drill shown thereof;

FIG. 5 is a rear end view of the hammer drill shown thereof;

FIG. 6 is a top view of the hammer drill shown thereof; and,

FIG. 7 is a bottom view of the hammer drill shown thereof.

1 Claim, 3 Drawing Sheets



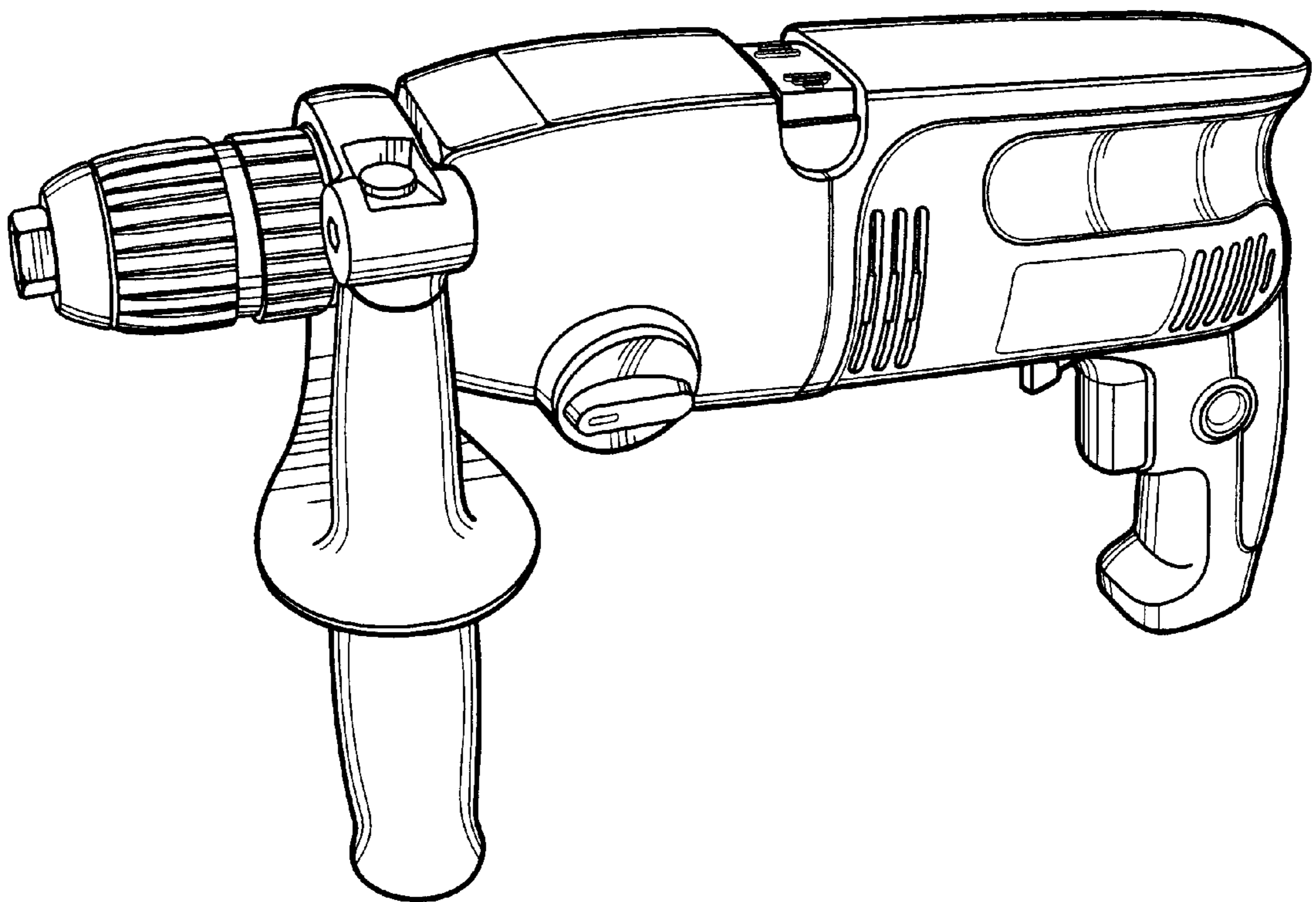


FIG. 1

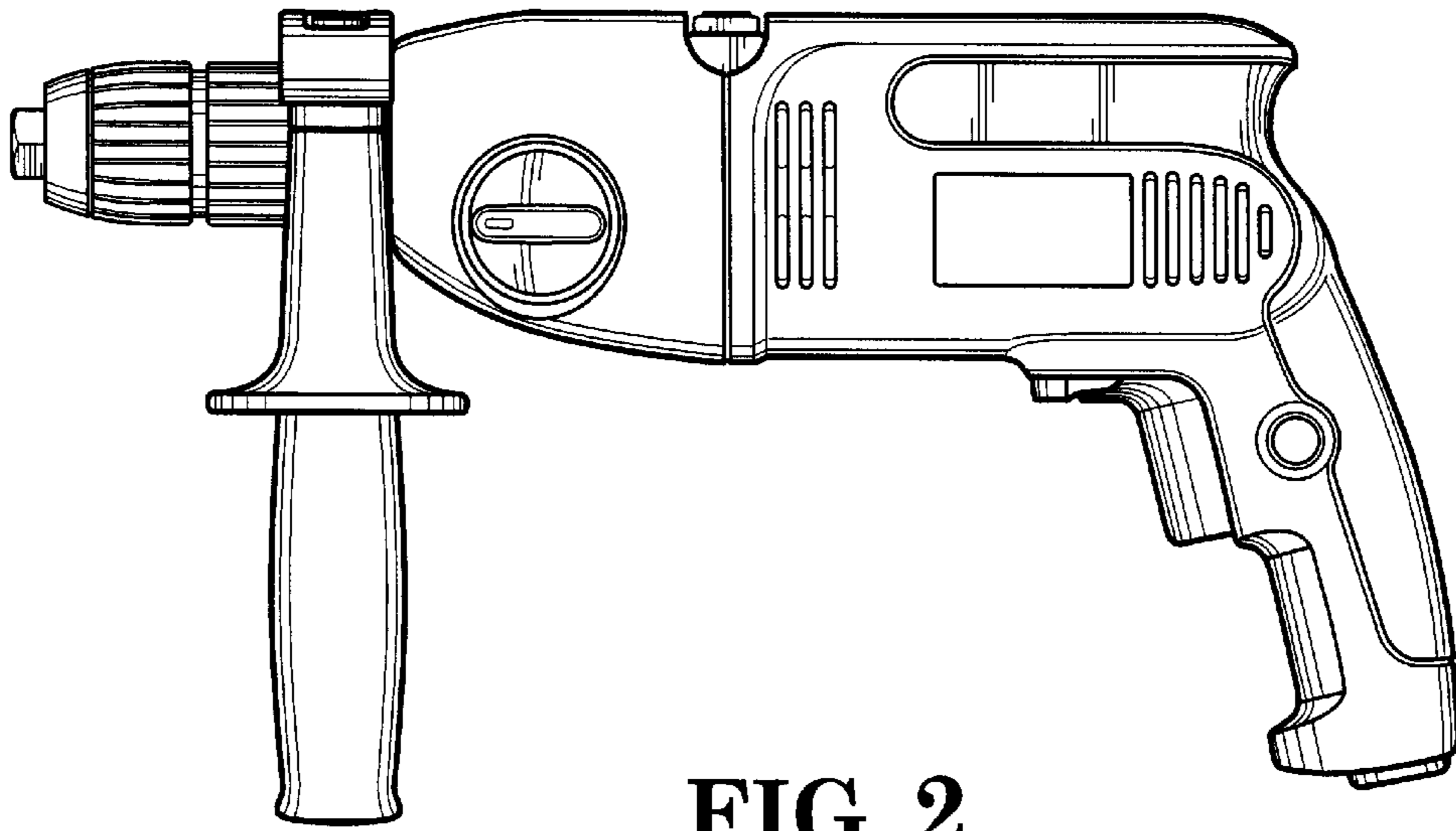


FIG. 2

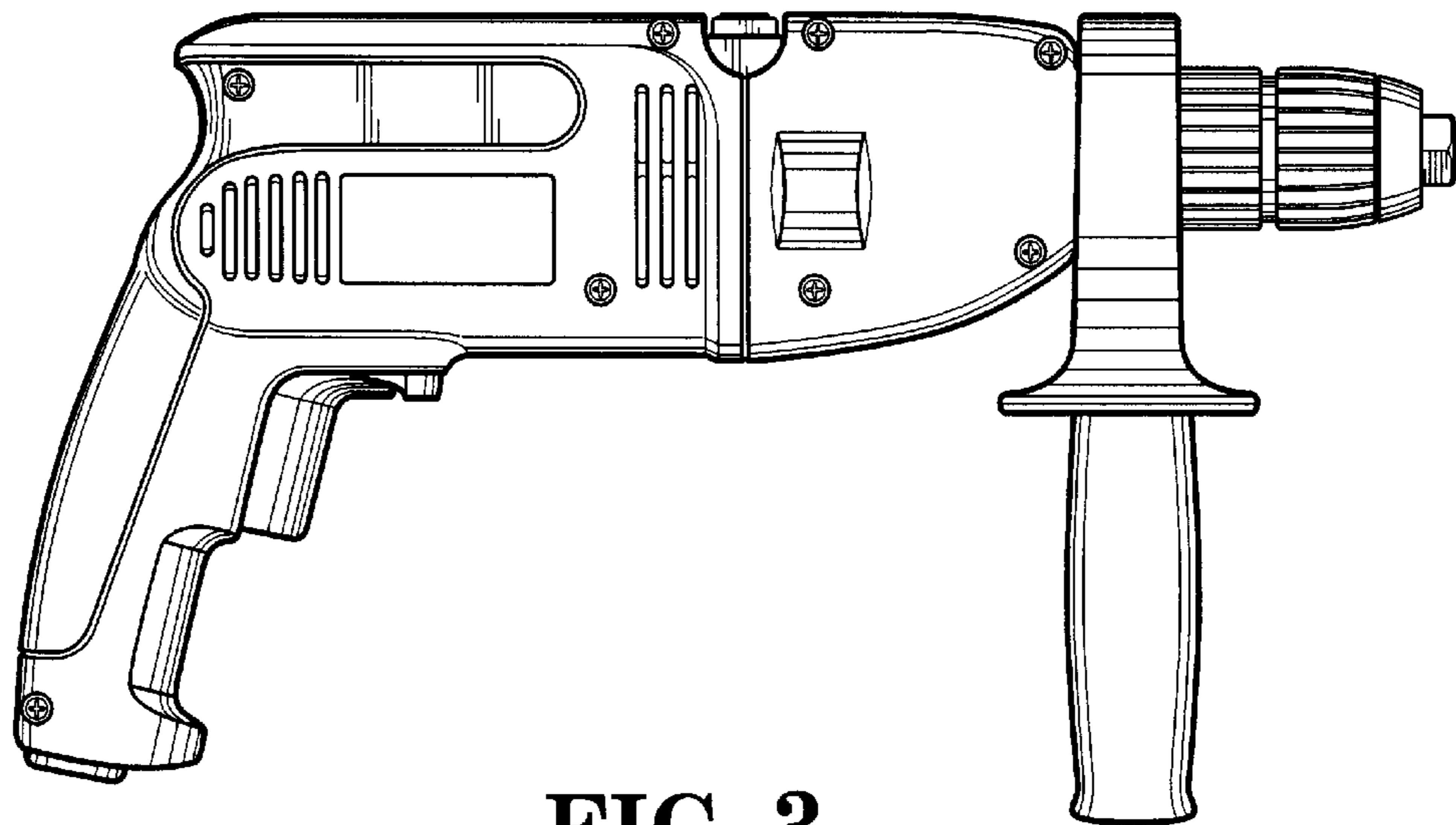


FIG. 3

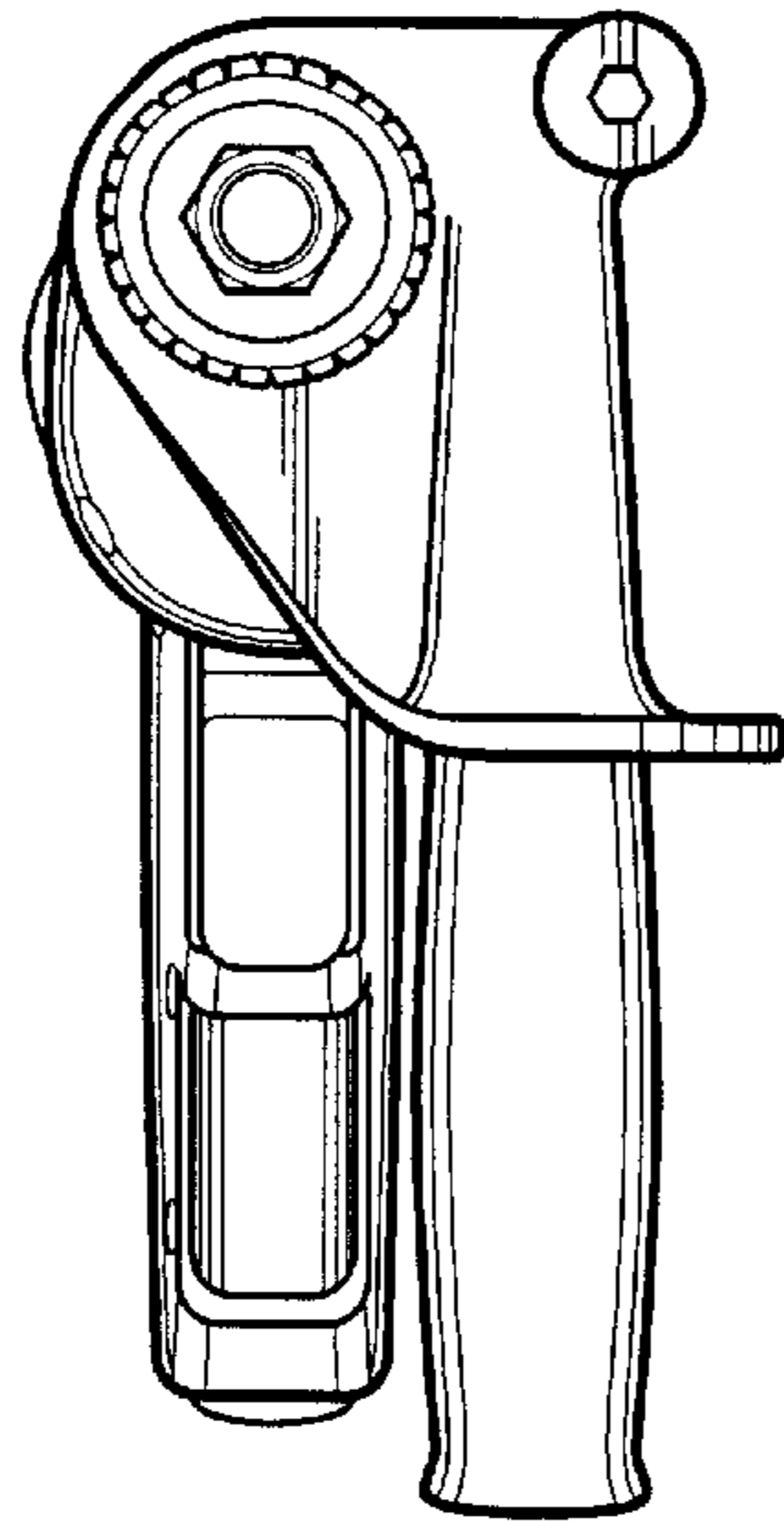


FIG. 4

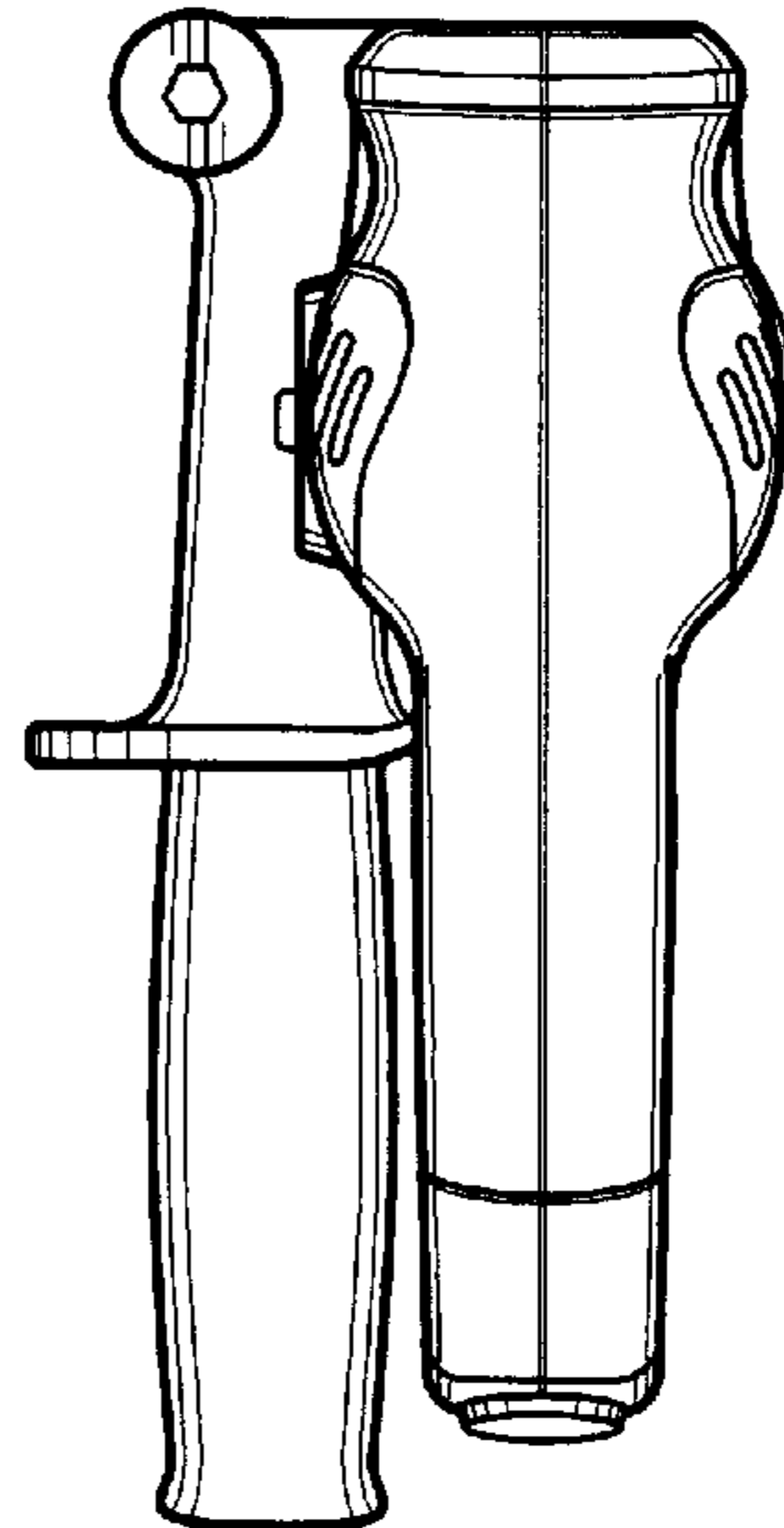


FIG. 5

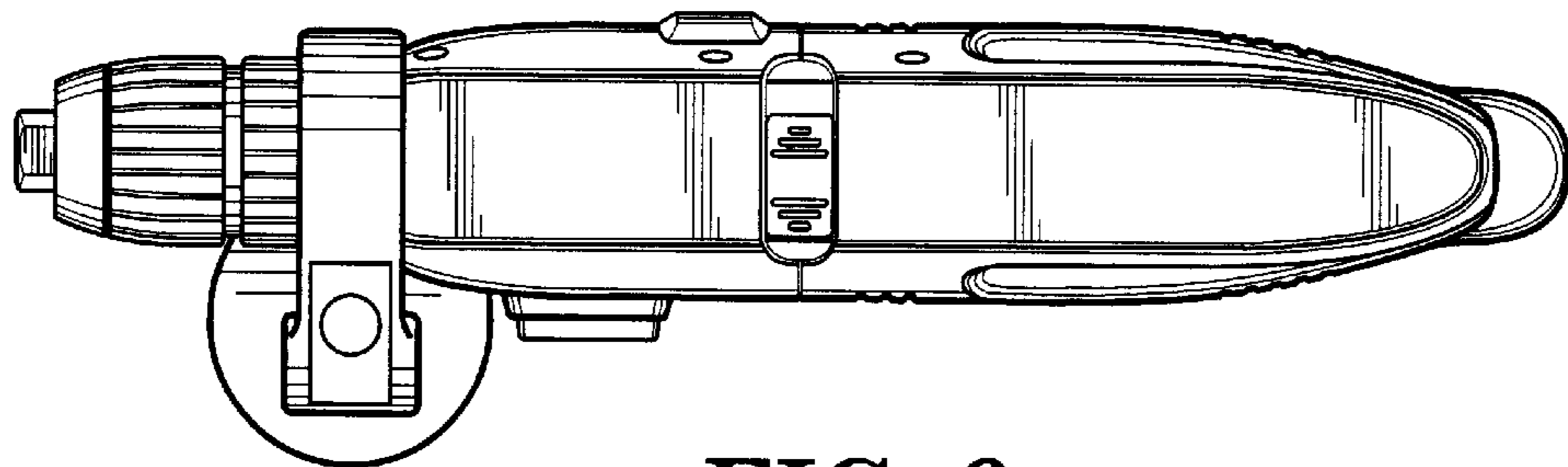


FIG. 6

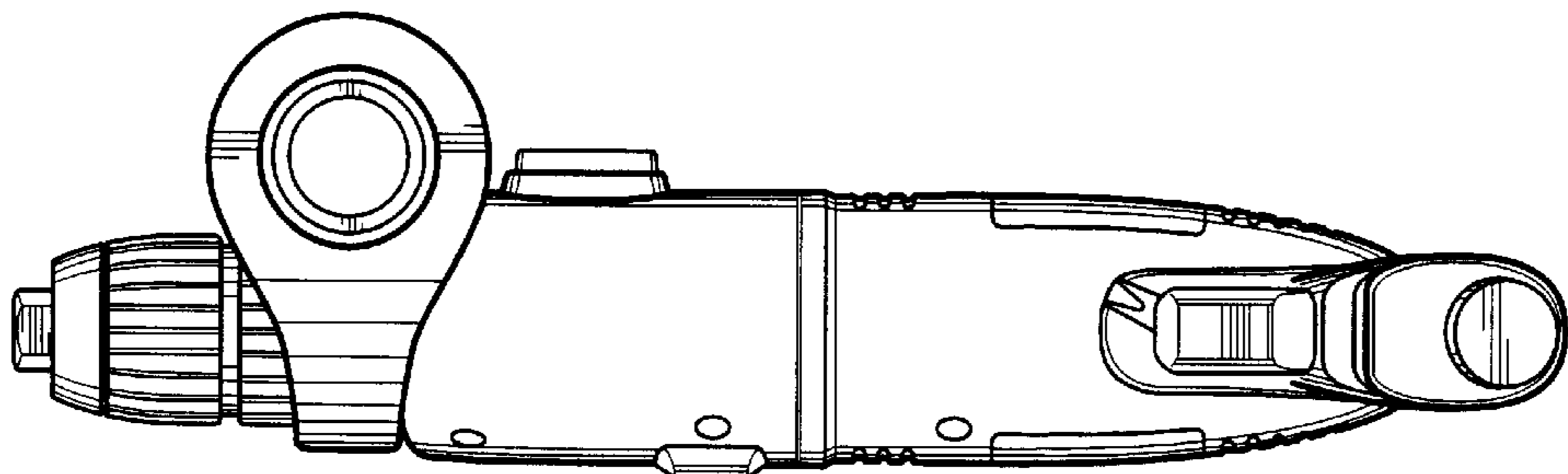


FIG. 7