



US00D488977S

(12) **United States Design Patent**  
**Evans**

(10) **Patent No.: US D488,977 S**

(45) **Date of Patent: \*\* \*Apr. 27, 2004**

(54) **CIRCULAR SAW**

(75) **Inventor: D. Scott Evans, Mathews, VA (US)**

(73) **Assignee: Black & Decker, Inc., Newark, DE (US)**

(\* ) **Notice:** This patent is subject to a terminal disclaimer.

(\*\* ) **Term:** 14 Years

(21) **Appl. No.:** 29/162,848

(22) **Filed:** Jun. 20, 2002

(51) **LOC (7) Cl. .... 08-03**

(52) **U.S. Cl. .... D8/66**

(58) **Field of Search** ..... D8/64, 66, 67, D8/69, 70; 30/375, 376, 377, 388, 389, 390, 391; 83/666, 863; 144/218

(56) **References Cited**

**U.S. PATENT DOCUMENTS**

- D313,155 S \* 12/1990 Somers ..... D8/66
- 5,023,999 A \* 6/1991 Looper et al. .... 30/390
- D326,399 S \* 5/1992 Fushiya et al. .... D8/66

D334,523 S \* 4/1993 Hoshino et al. .... D8/66

D378,488 S \* 3/1997 Ito et al. .... D8/66

5,832,614 A \* 11/1998 Gallagher et al. .... 30/390

6,055,734 A \* 5/2000 McCurry et al. .... 30/388

6,301,790 B1 \* 10/2001 Zeiler et al. .... 30/390

\* cited by examiner

*Primary Examiner*—Stacia Cadmus

*Assistant Examiner*—Elizabeth Albert

(74) *Attorney, Agent, or Firm*—Bruce S. Shapiro; John Del Ponti; Michael P. Leary

(57) **CLAIM**

The ornamental design for a circular saw, as shown and described.

**DESCRIPTION**

FIG. 1 is a front perspective view of a circular saw showing my design.

FIG. 2 is a right side elevational view thereof.

FIG. 3 is a left side elevational view thereof.

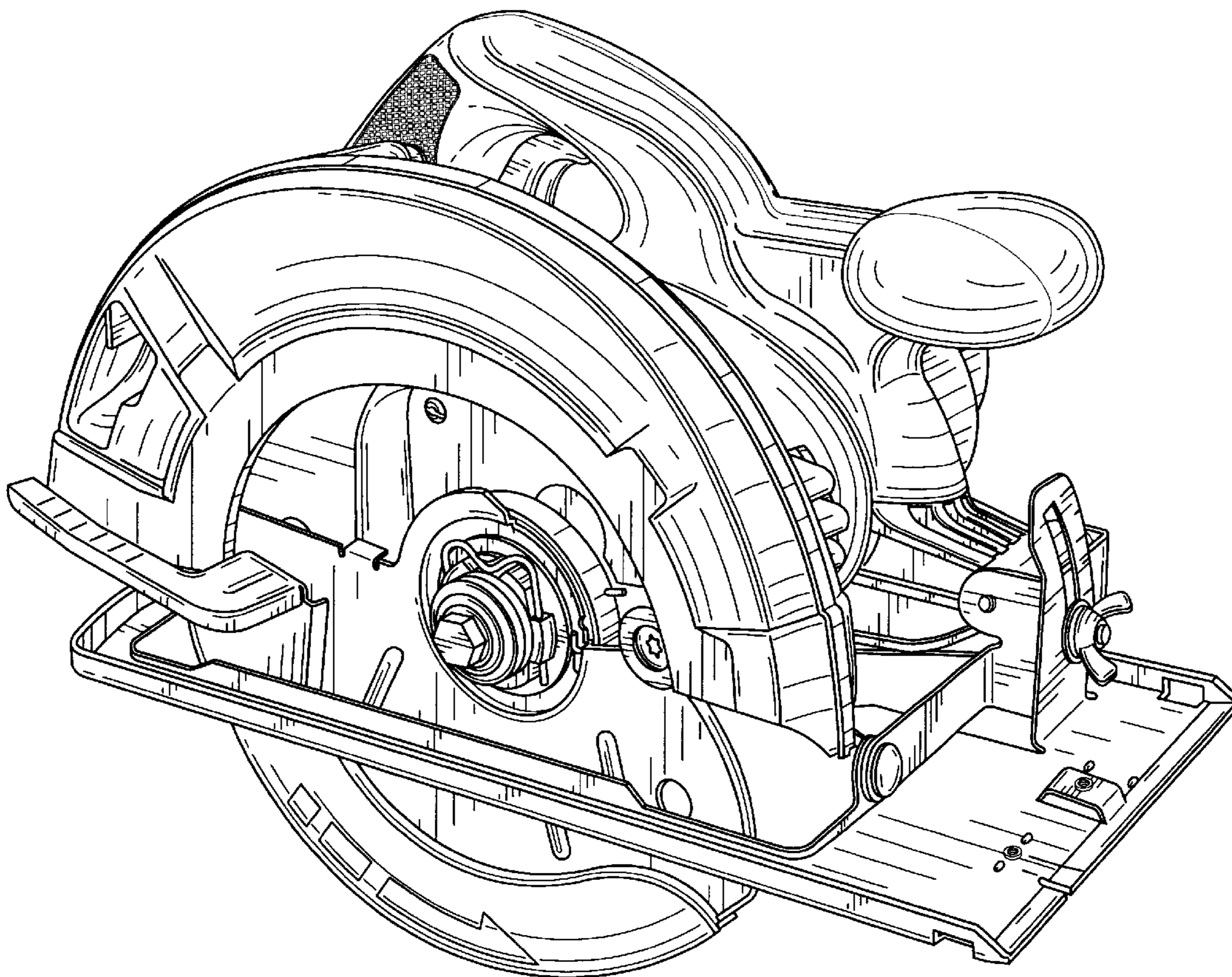
FIG. 4 is a front elevational view thereof.

FIG. 5 is a rear elevational view thereof.

FIG. 6 is a top plan view thereof; and,

FIG. 7 is a bottom plan view thereof.

**1 Claim, 7 Drawing Sheets**



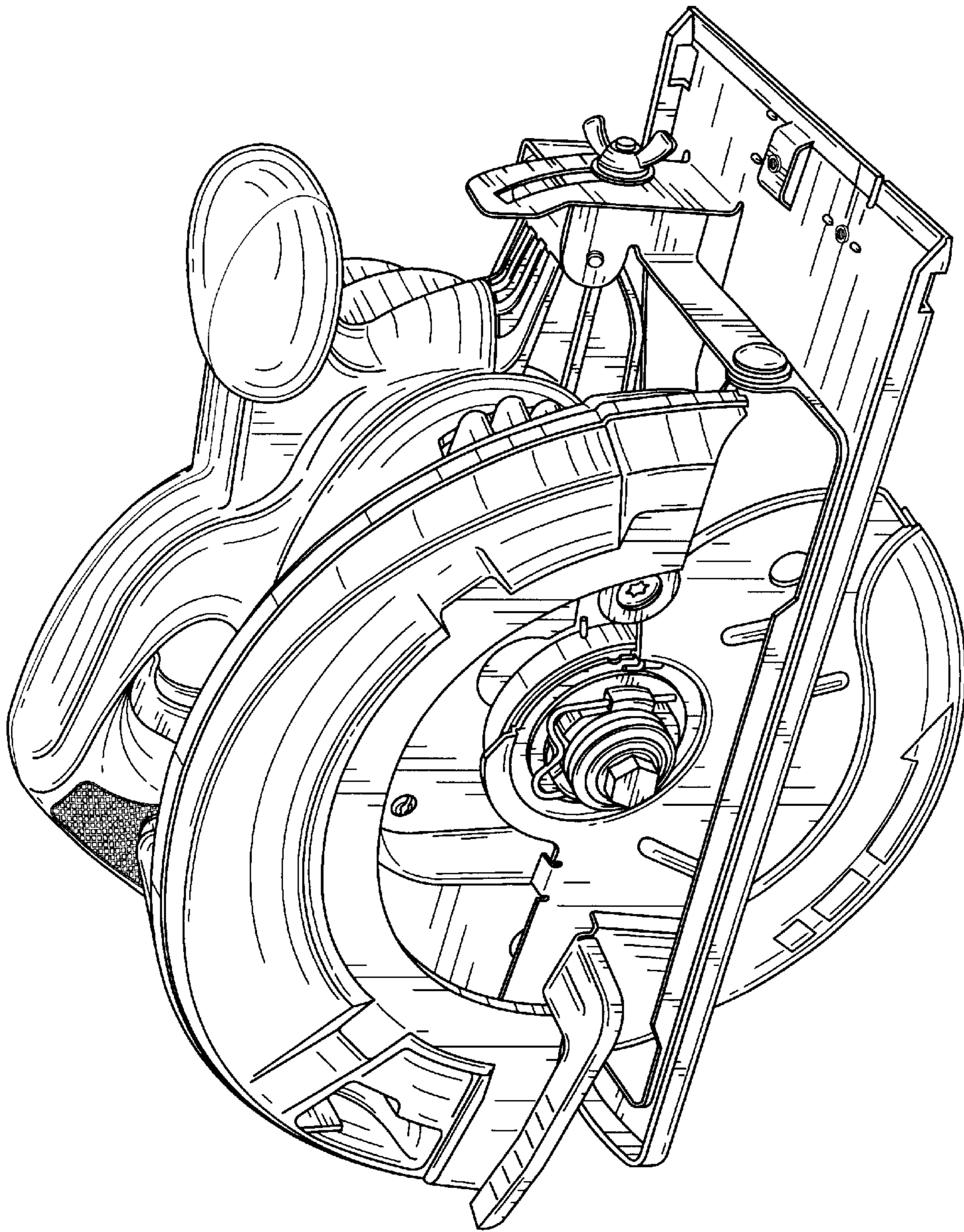


FIG. 1

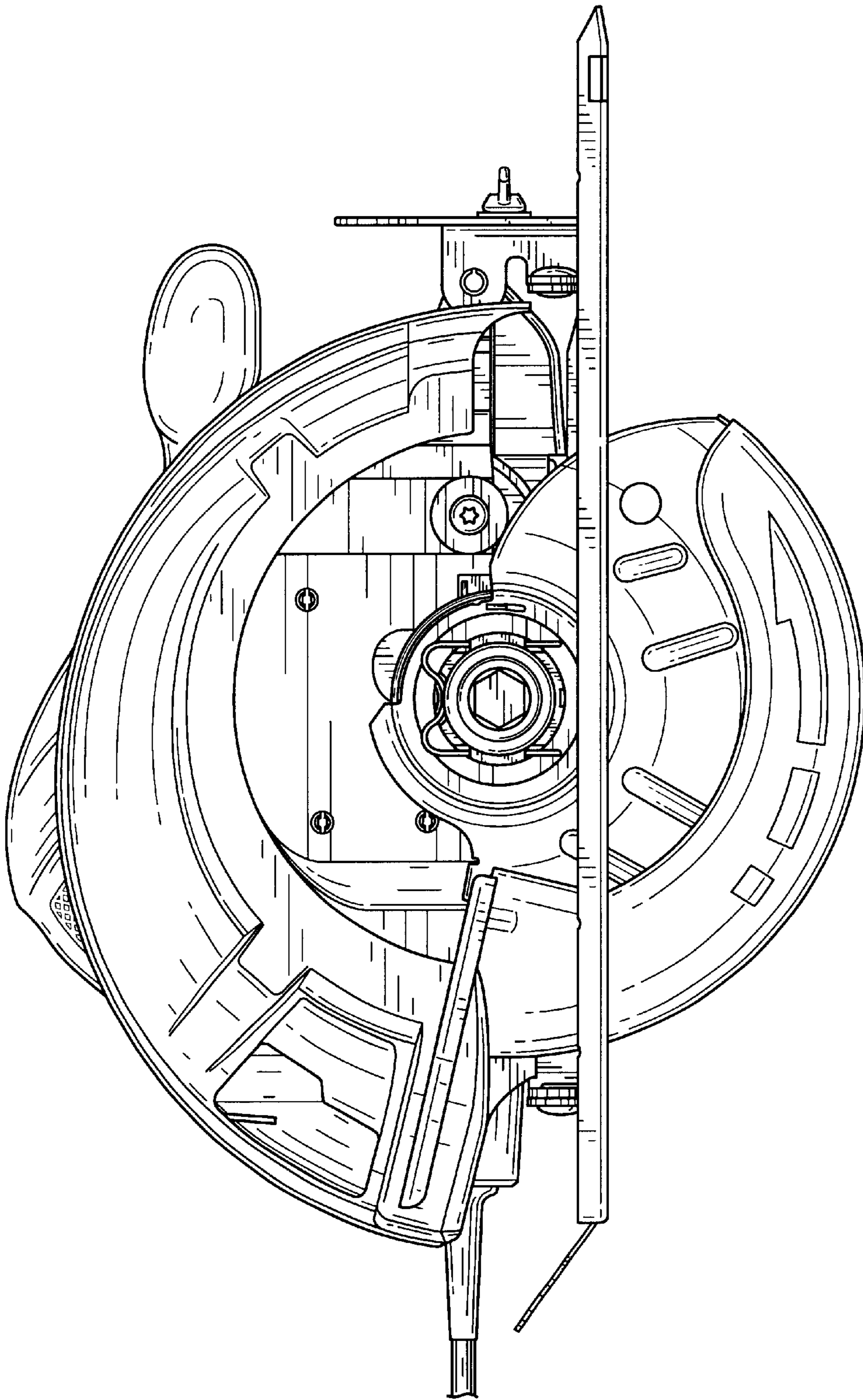


FIG. 2

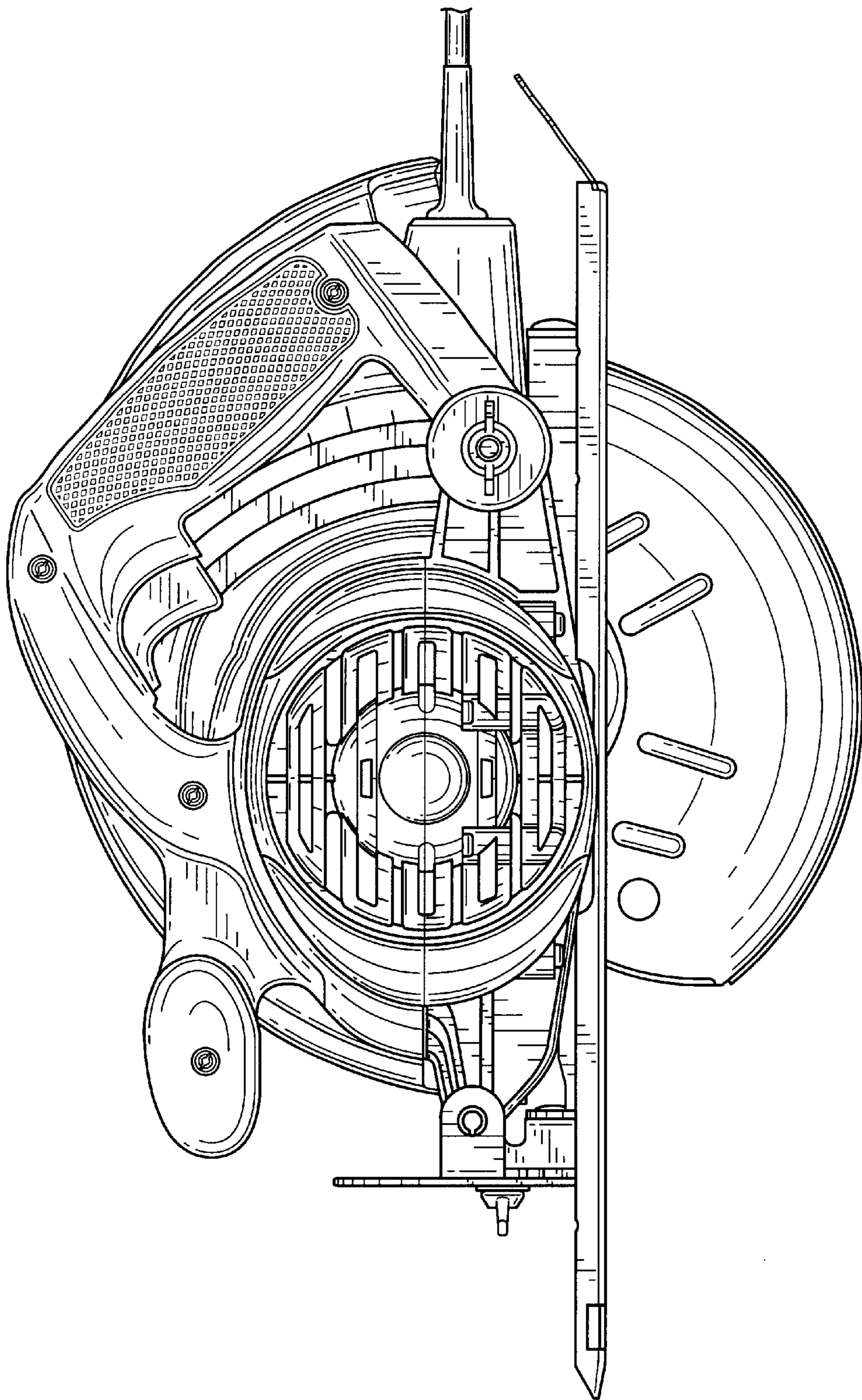


FIG. 3

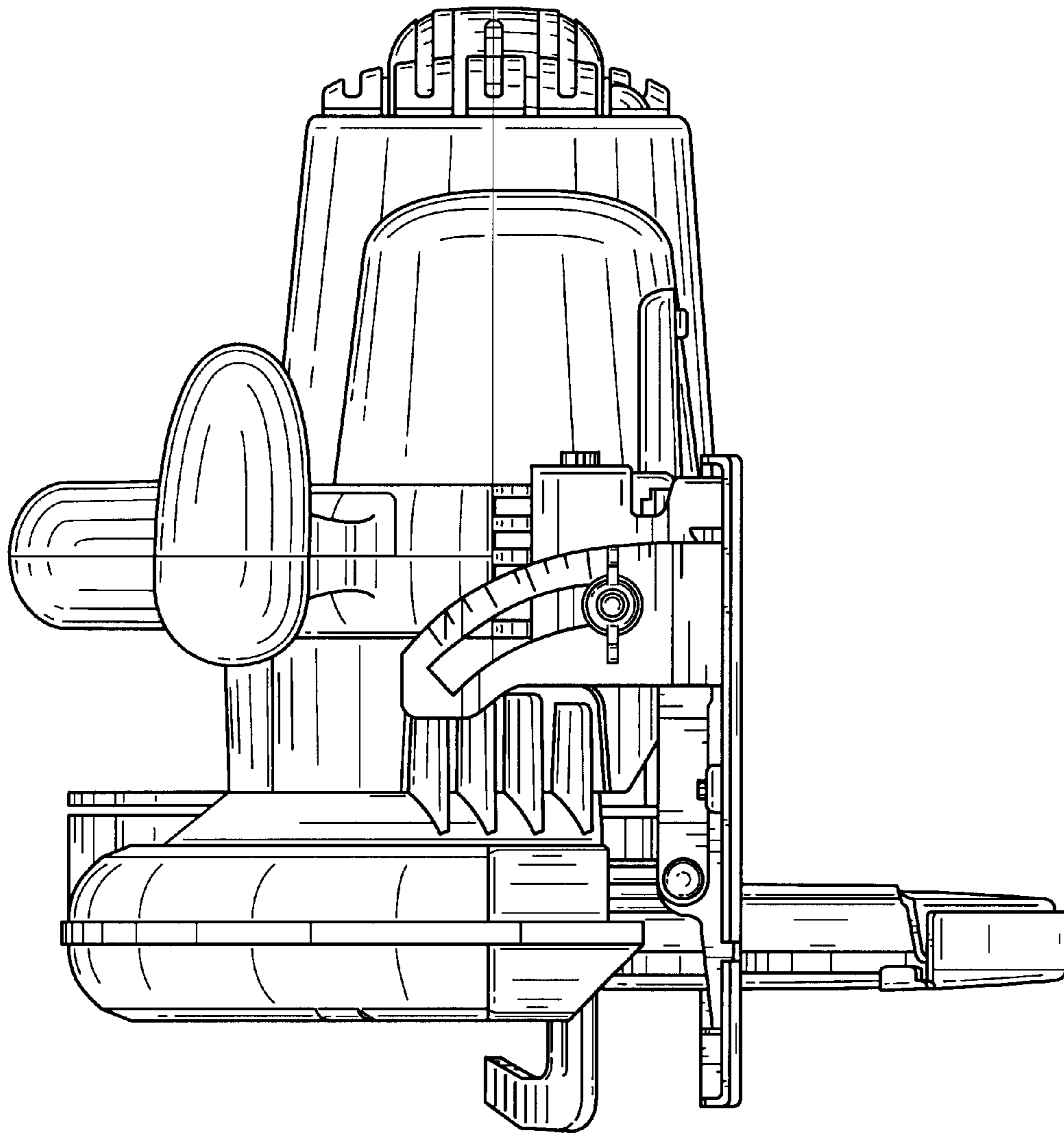


FIG. 4

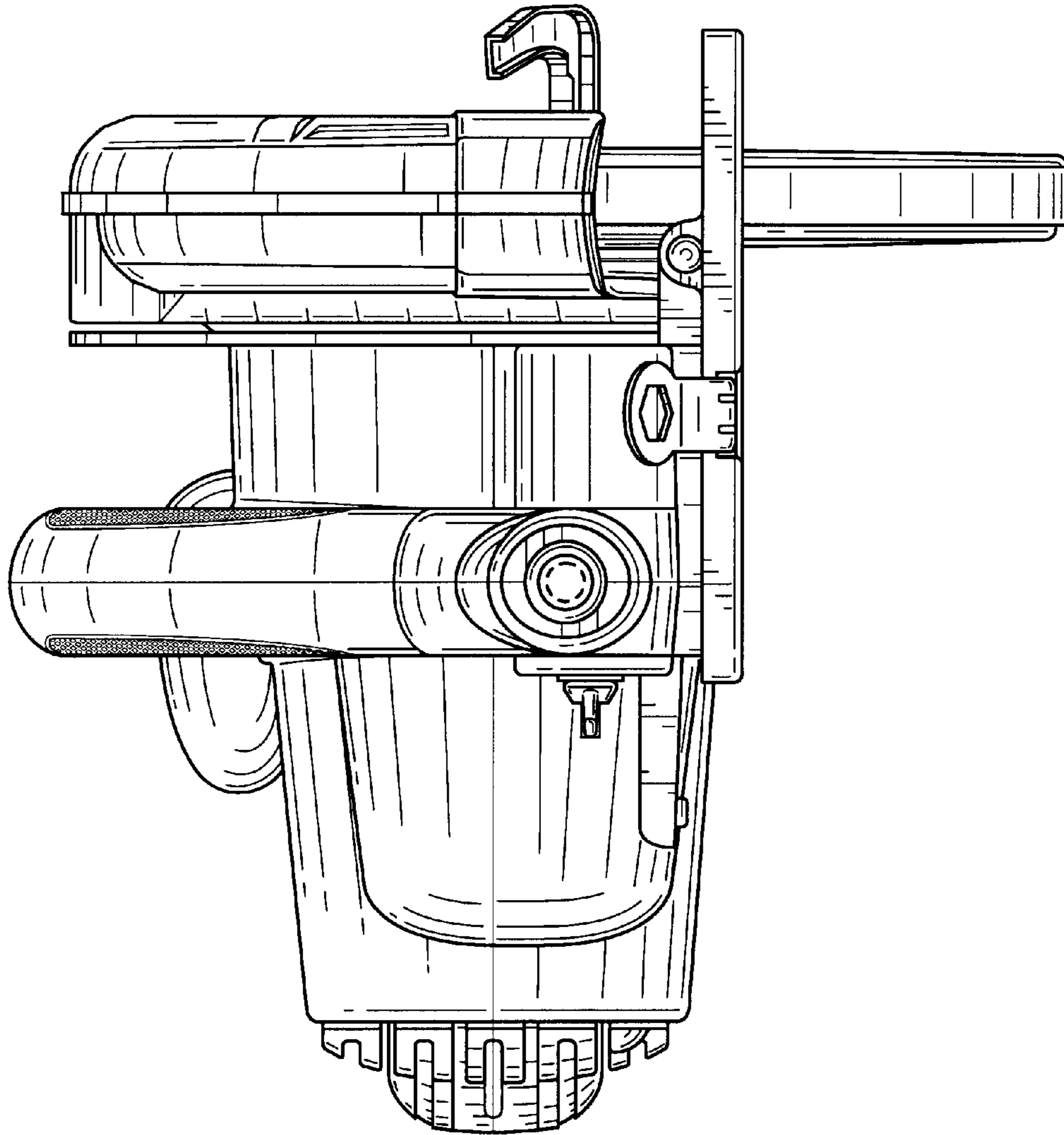


FIG. 5

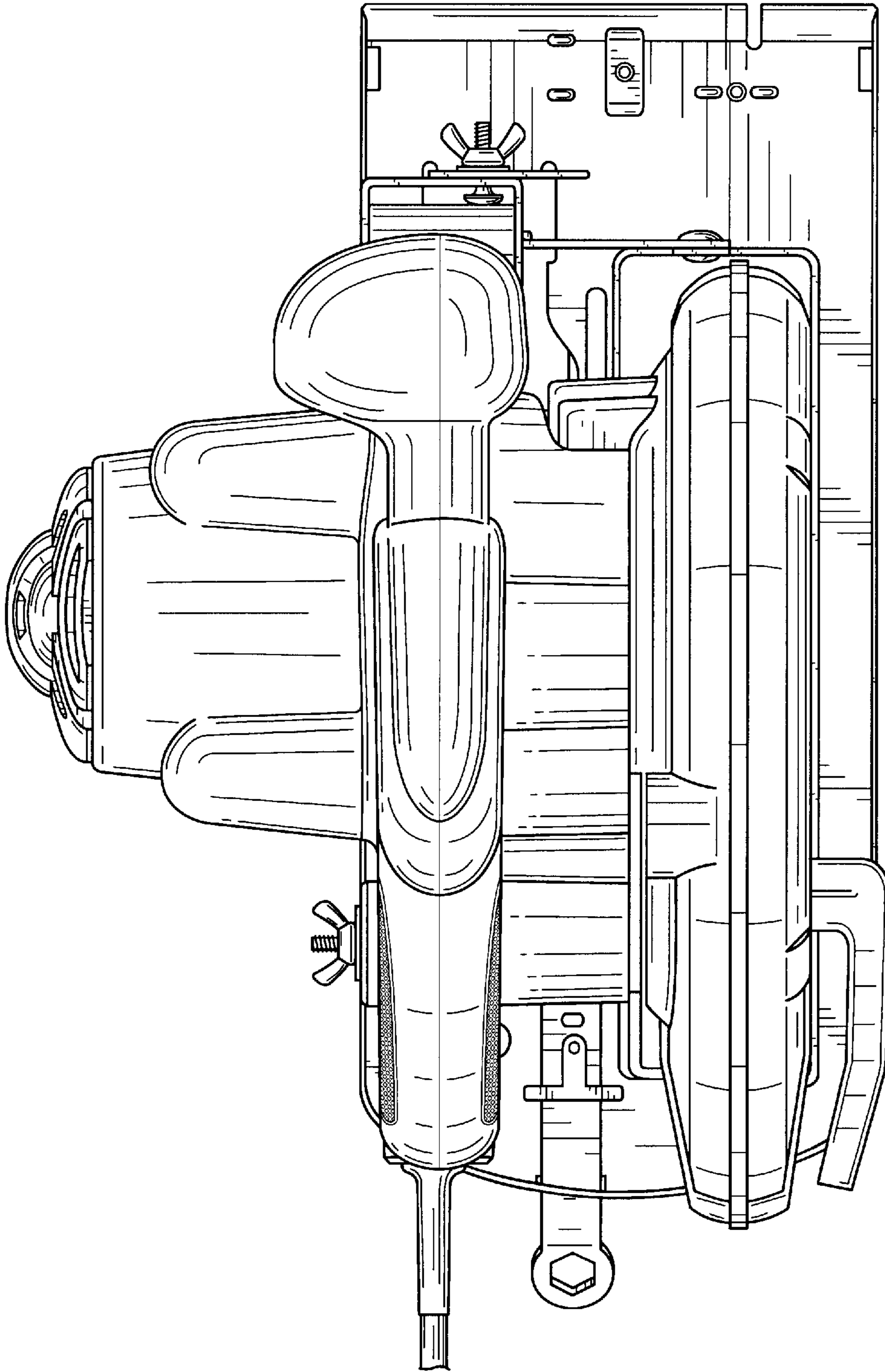


FIG. 6

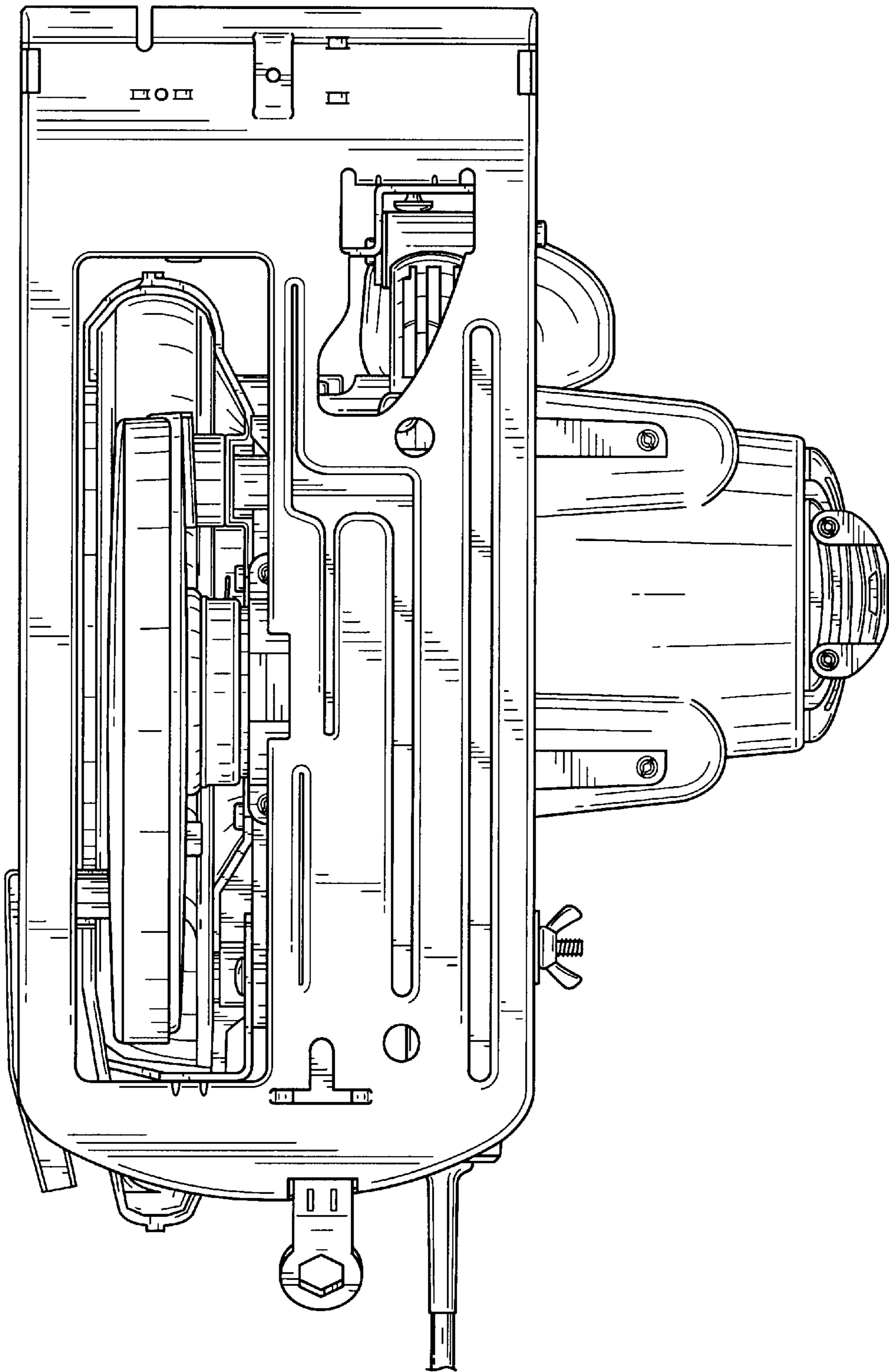


FIG. 7