



US00D488975S

(12) **United States Design Patent**  
**Overthun et al.**

(10) **Patent No.:** **US D488,975 S**

(45) **Date of Patent:** **\*\* Apr. 27, 2004**

(54) **CAN OPENER**

D442,044 S \* 5/2001 Juhlin et al. .... D8/39  
D458,819 S \* 6/2002 Levien ..... D8/39

(75) Inventors: **Thomas Overthun**, San Francisco, CA (US); **David M. Webster**, San Francisco, CA (US); **Annetta M. Papadopoulos**, Palo Alto, CA (US)

\* cited by examiner

*Primary Examiner*—Caron D. Veynar  
(74) *Attorney, Agent, or Firm*—Snell & Wilmer LLP

(73) Assignee: **Zyliss USA Corp.**, Foothill Ranch, CA (US)

(57) **CLAIM**

(\*\*) Term: **14 Years**

The ornamental design for a can opener, as shown.

(21) Appl. No.: **29/180,561**

**DESCRIPTION**

(22) Filed: **Apr. 25, 2003**

FIG. 1 is a top perspective view of a can opener showing an exemplary embodiment of our new design;

(51) **LOC (7) Cl.** ..... **07-99**

(52) **U.S. Cl.** ..... **D8/39**

FIG. 2 is a left side view of the can opener of FIG. 1;

FIG. 3 is a right side view of the can opener of FIG. 1;

(58) **Field of Search** ..... D8/33-43; 7/151-156;  
30/400-450; 81/3.07-3.49

FIG. 4 is a front view of the can opener of FIG. 1;

FIG. 5 is a back view of the can opener of FIG. 1;

FIG. 6 is a top view of the can opener of FIG. 1; and,

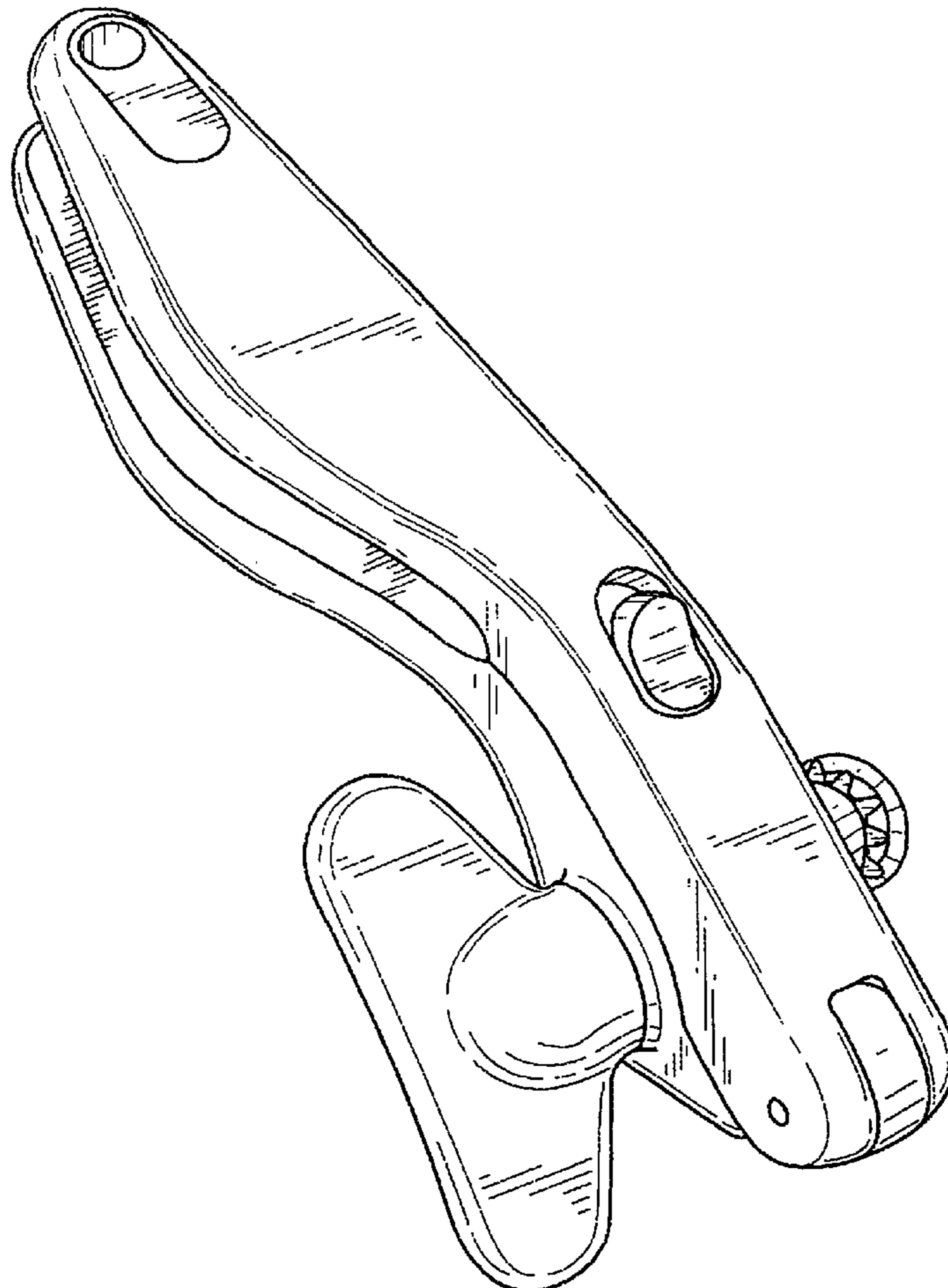
FIG. 7 is a bottom view of the can opener of FIG. 1.

(56) **References Cited**

**U.S. PATENT DOCUMENTS**

D441,626 S \* 5/2001 Greiner ..... D8/41

**1 Claim, 4 Drawing Sheets**



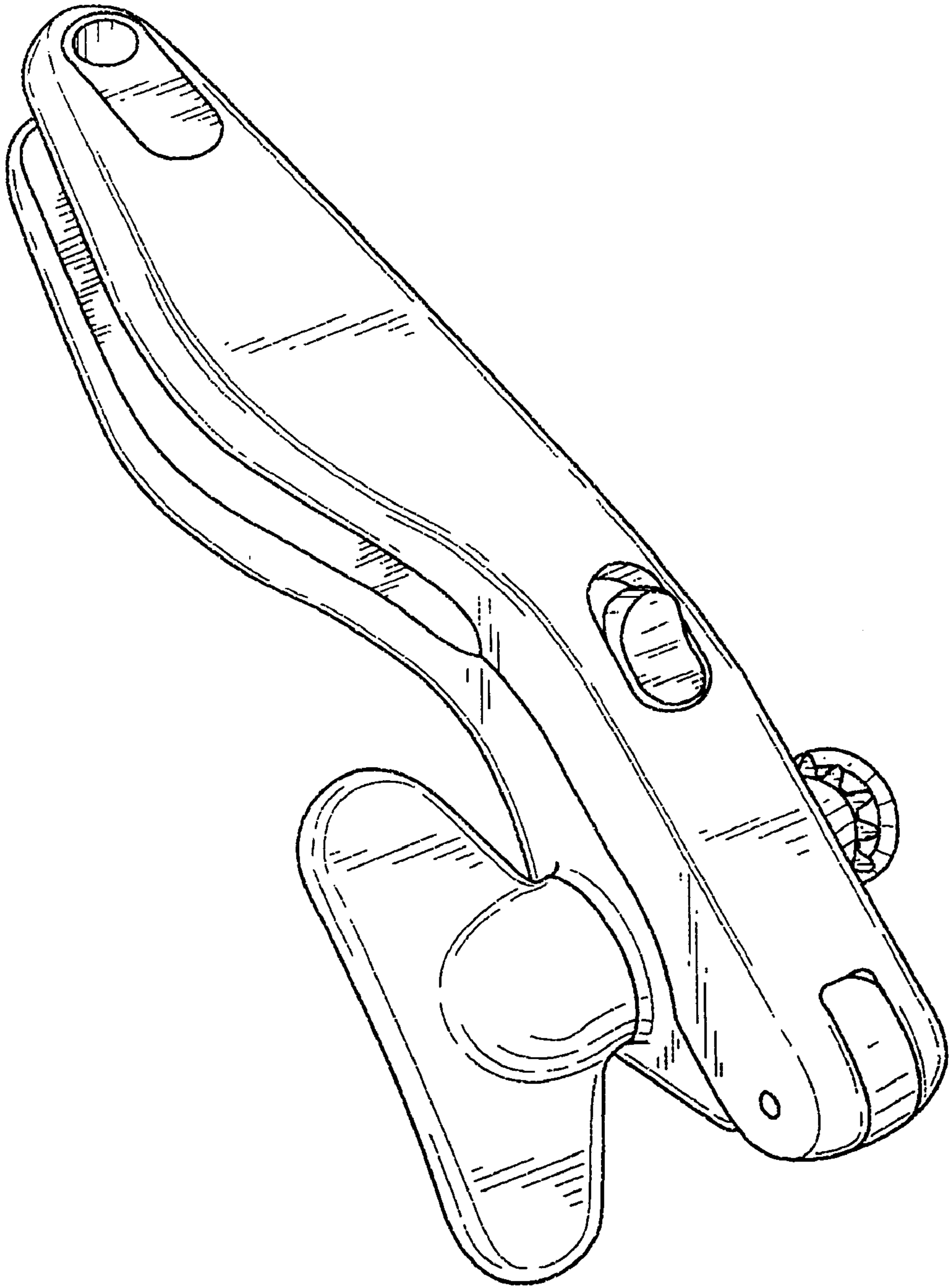


FIG. 1

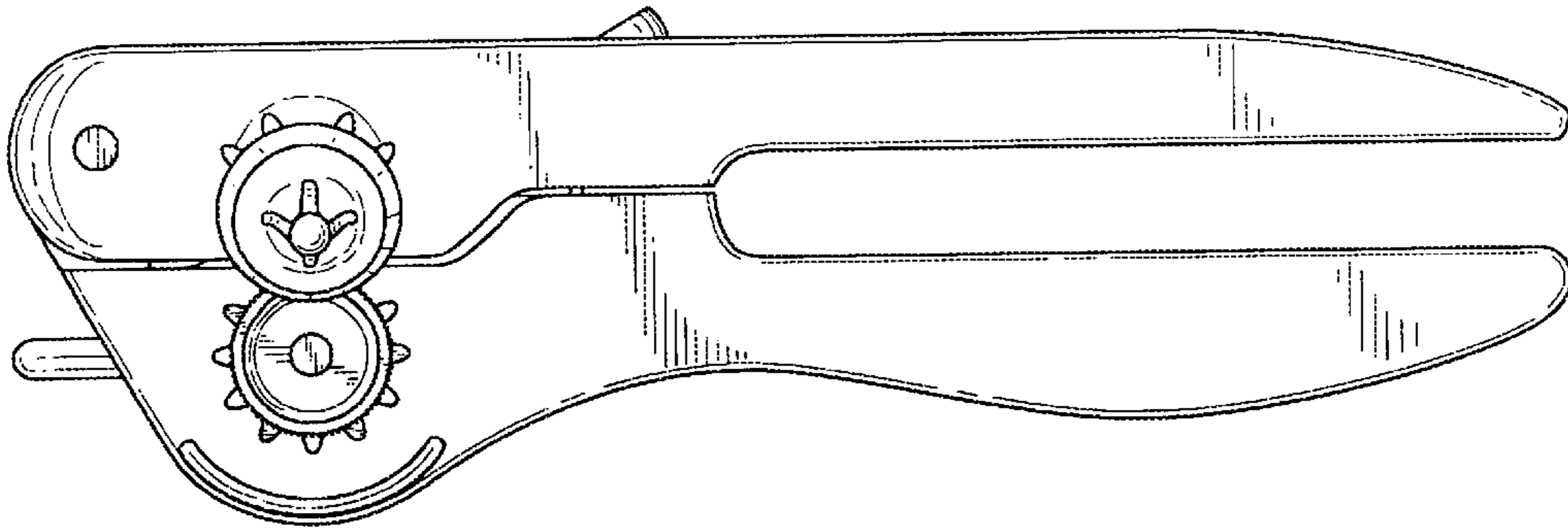


FIG. 2

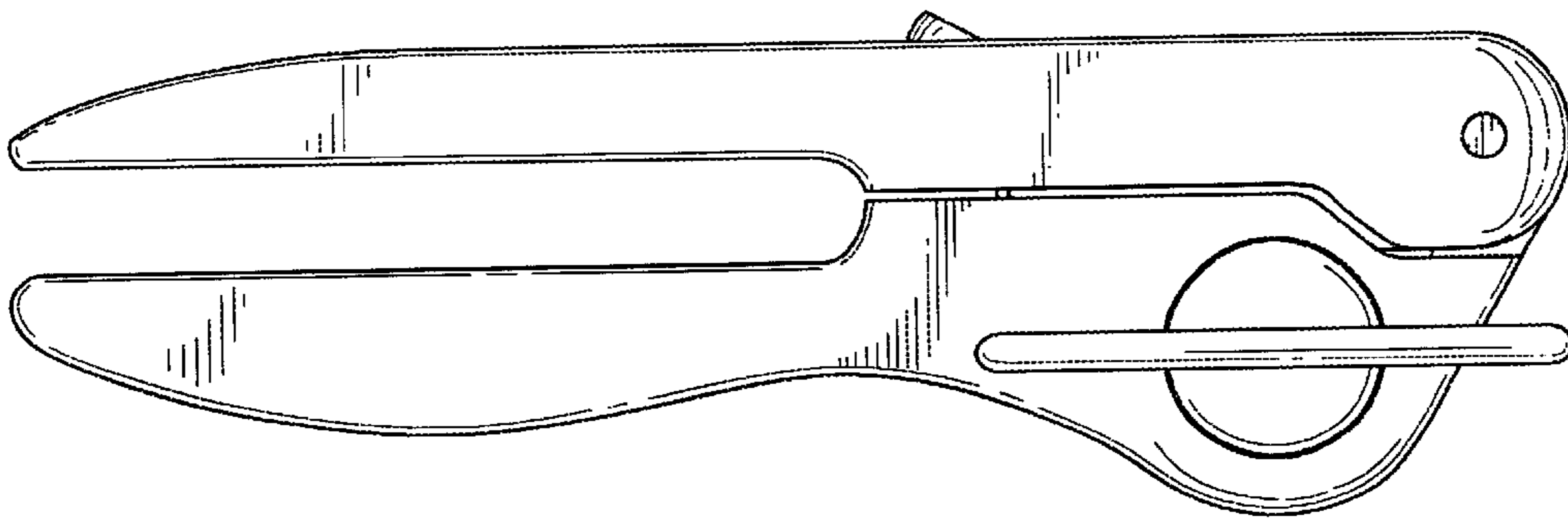


FIG. 3

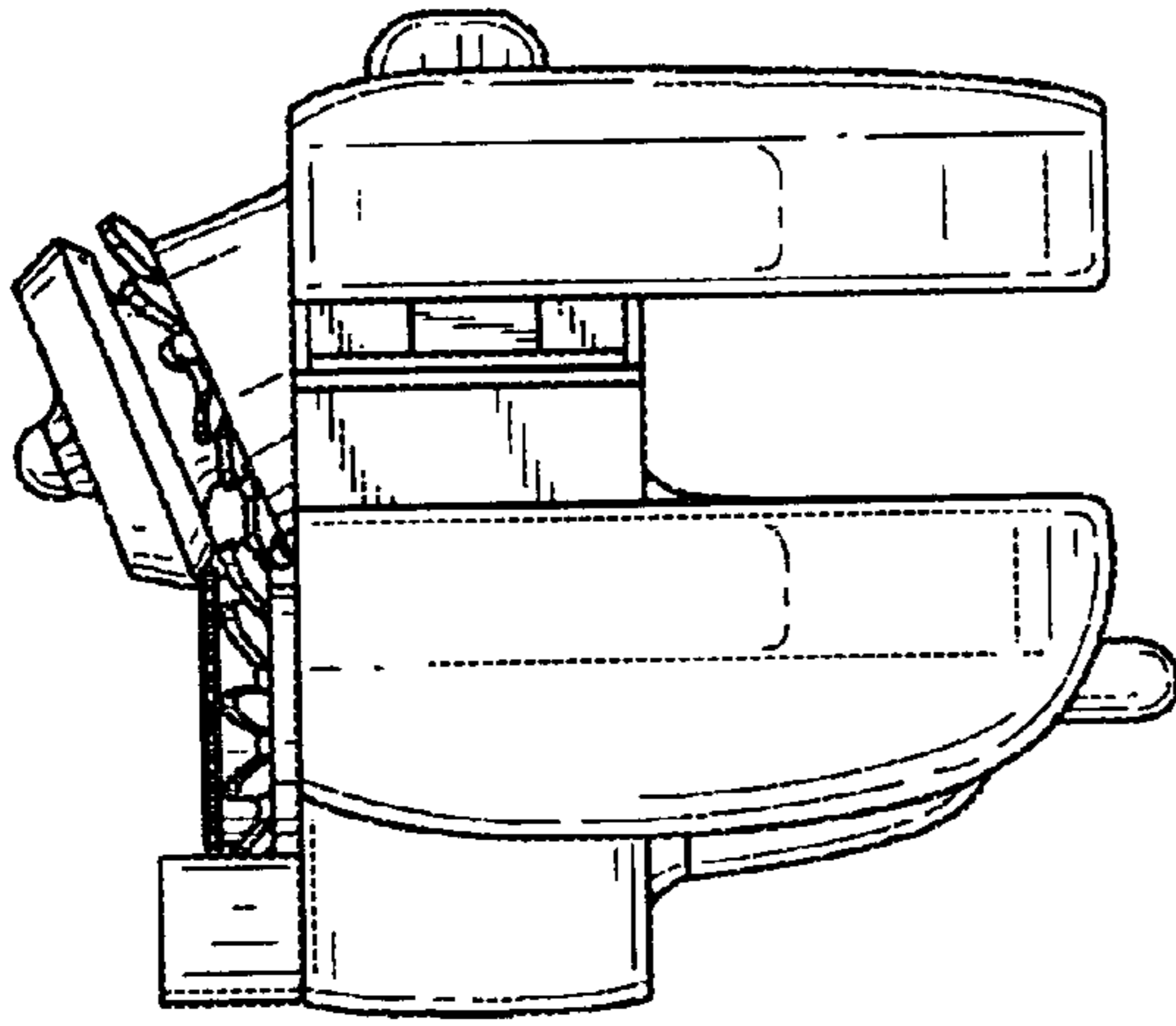


FIG. 4

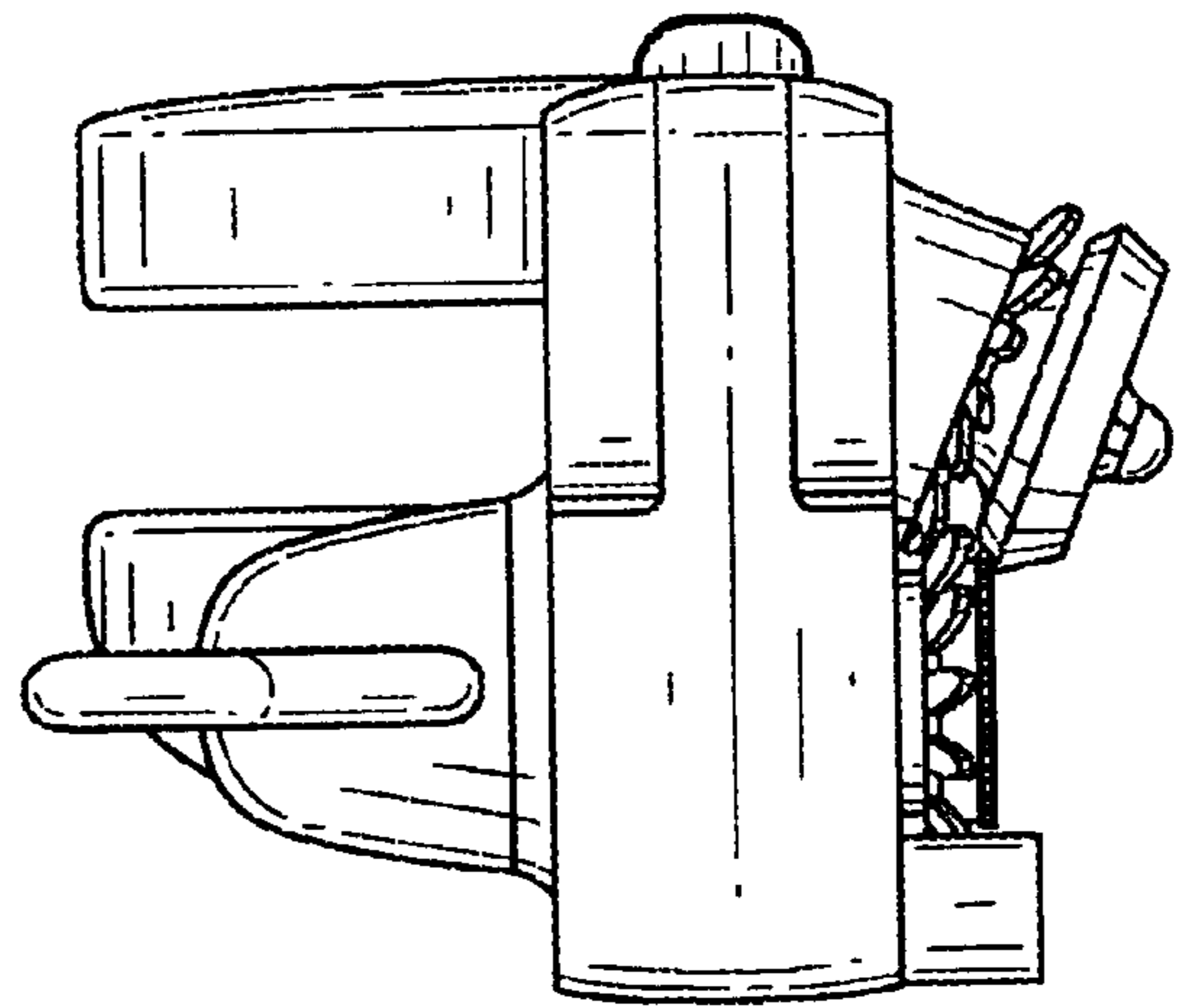


FIG. 5

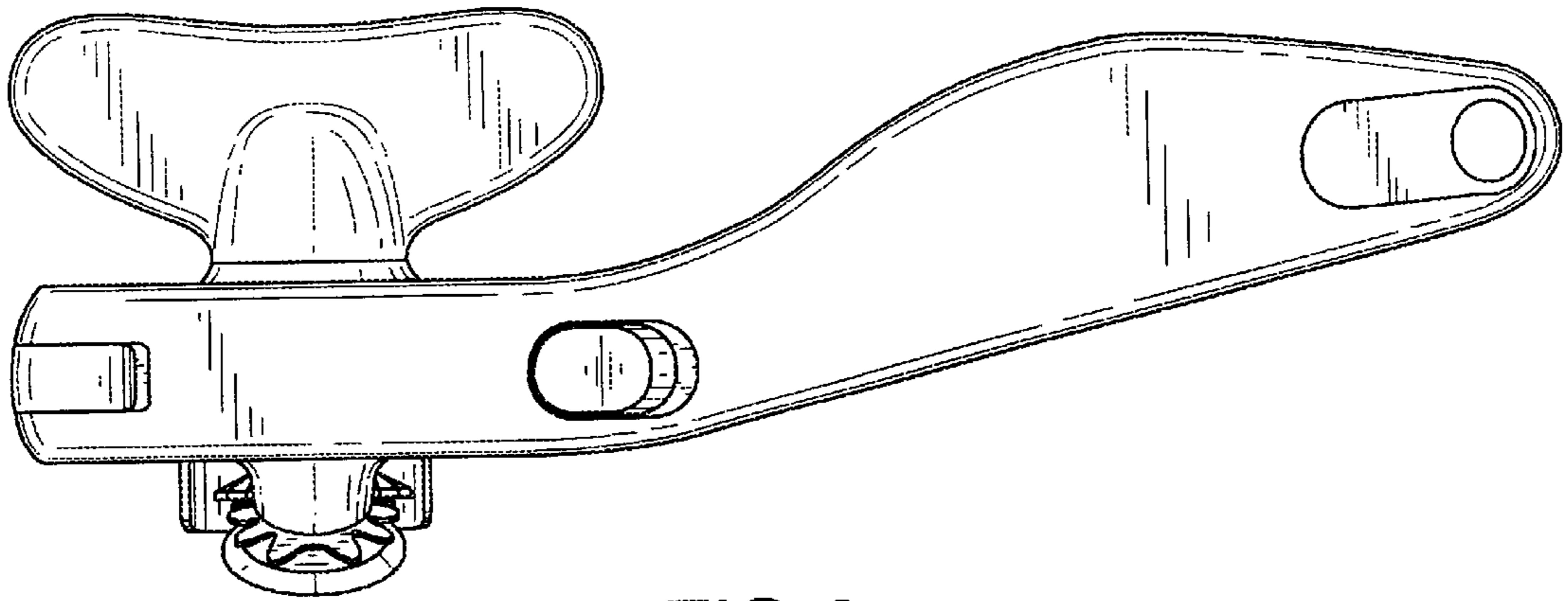


FIG. 6

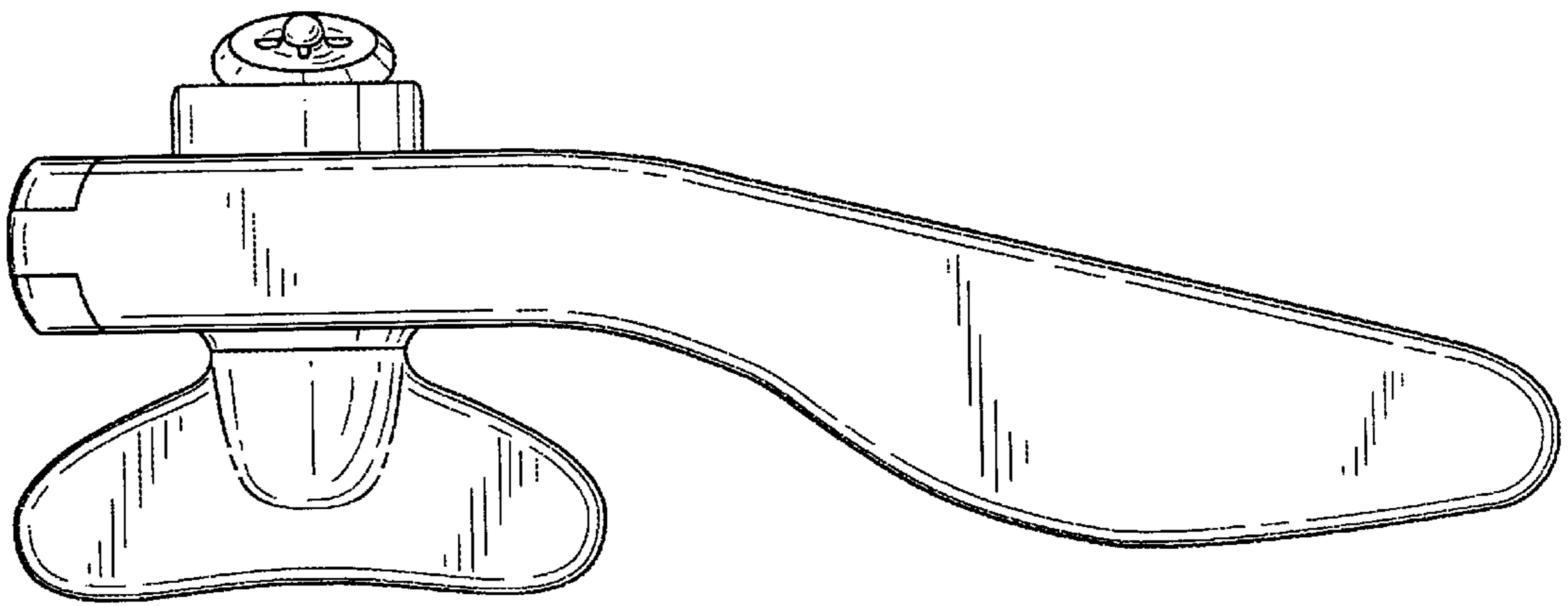


FIG. 7