



US00D488972S

(12) **United States Design Patent**
Kelleghan

(10) **Patent No.:** **US D488,972 S**

(45) **Date of Patent:** **** Apr. 27, 2004**

(54) **FISH SKELETON SHAPED BOTTLE
OPENER**

(75) **Inventor:** **Brian James Kelleghan**, Longmont,
CO (US)

(73) **Assignee:** **Bison Designs, L.L.C.**, Longmont, CO
(US)

(**) **Term:** **14 Years**

(21) **Appl. No.:** **29/174,588**

(22) **Filed:** **Jan. 21, 2003**

(51) **LOC (7) Cl.** **07-99**

(52) **U.S. Cl.** **D8/38**

(58) **Field of Search** D8/17, 18, 19,
D8/33-43; D11/157, 158, 162; D19/82;
7/151-156; 81/3.07-3.48; 30/400-450

(56) **References Cited**

U.S. PATENT DOCUMENTS

D38,899 S * 11/1907 Newcomb D8/18
D41,894 S * 11/1911 Sommer D8/18

D279,645 S * 7/1985 Makris D8/38
D433,899 S * 11/2000 Saffron et al. D8/38
D451,774 S * 12/2001 Kelleghan D8/38
D459,173 S * 6/2002 Kelleghan D8/38

* cited by examiner

Primary Examiner—Caron D. Veynar

(74) *Attorney, Agent, or Firm*—Margaret Polson; Patent
Law Offices of Rick Martin, P.C.

(57) **CLAIM**

The ornamental design for a fish skeleton shaped bottle
opener, as shown and described.

DESCRIPTION

FIG. 1 is a plan view of the top and bottom side, which are
mirror images, of my new design for a fish skeleton shaped
bottle opener.

FIG. 2 is a right side elevation view of FIG. 1.

FIG. 3 is a left side elevation view of FIG. 1.

FIG. 4 is a back side elevation view of FIG. 1.

FIG. 5 is a front side elevation view of FIG. 1; and,

FIG. 6 is a top perspective view of FIG. 1.

1 Claim, 1 Drawing Sheet

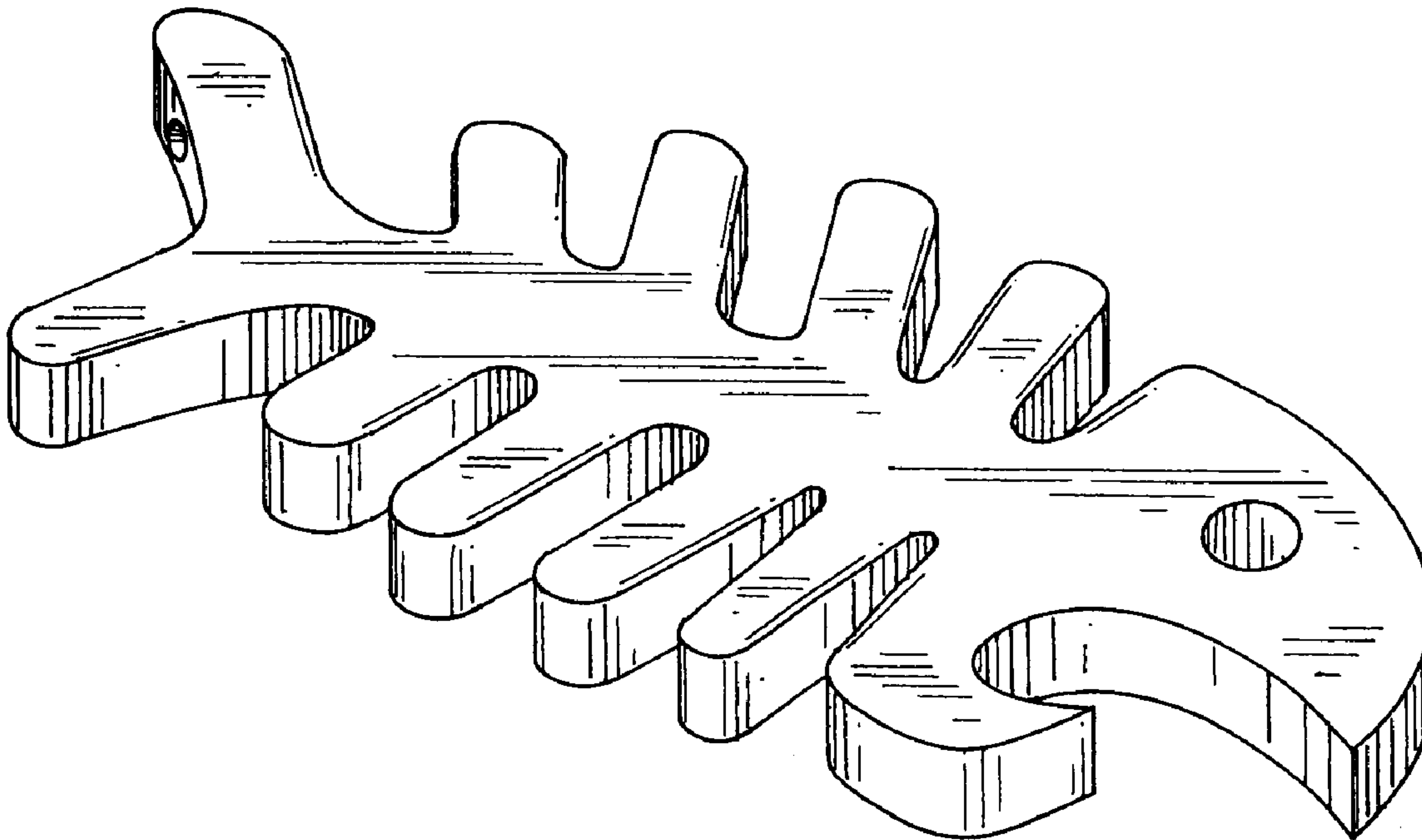




FIG. 4



FIG. 2

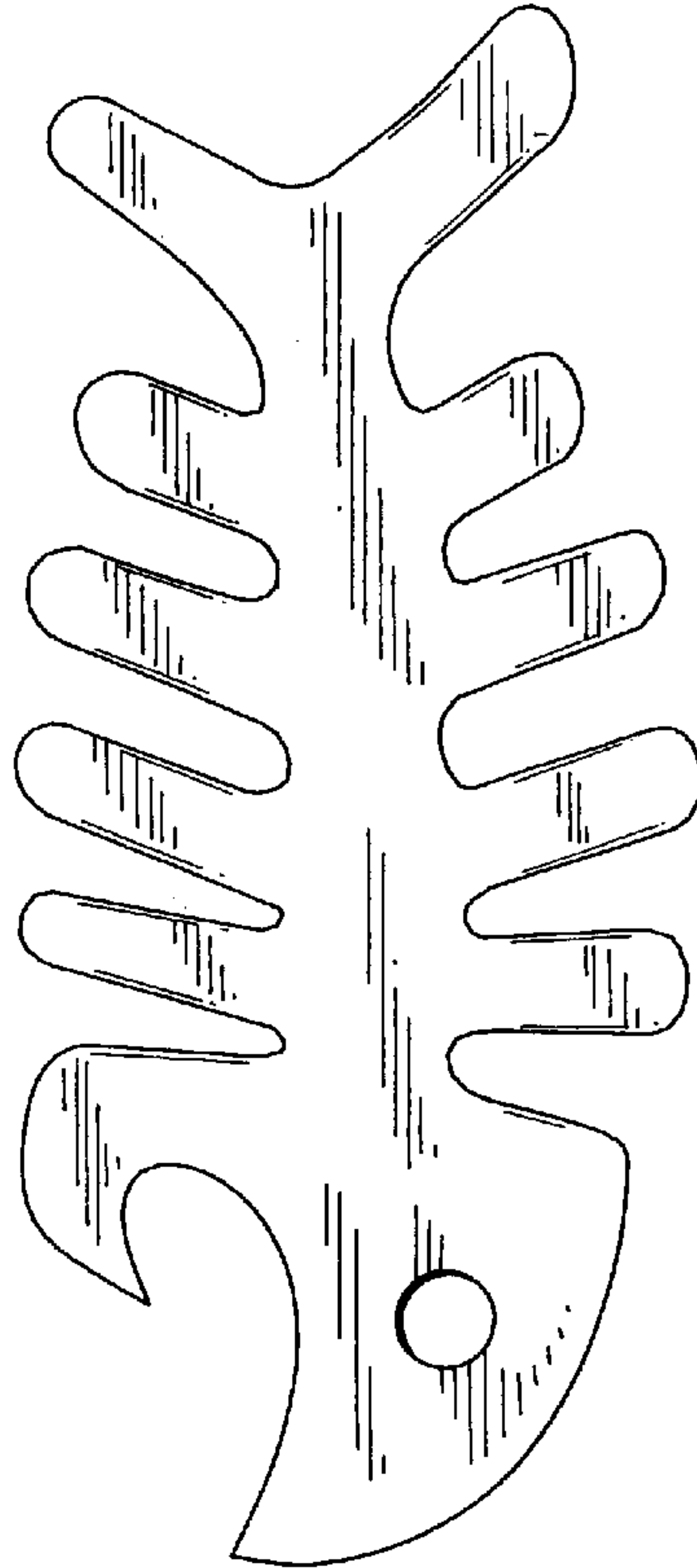


FIG. 1



FIG. 3



FIG. 5

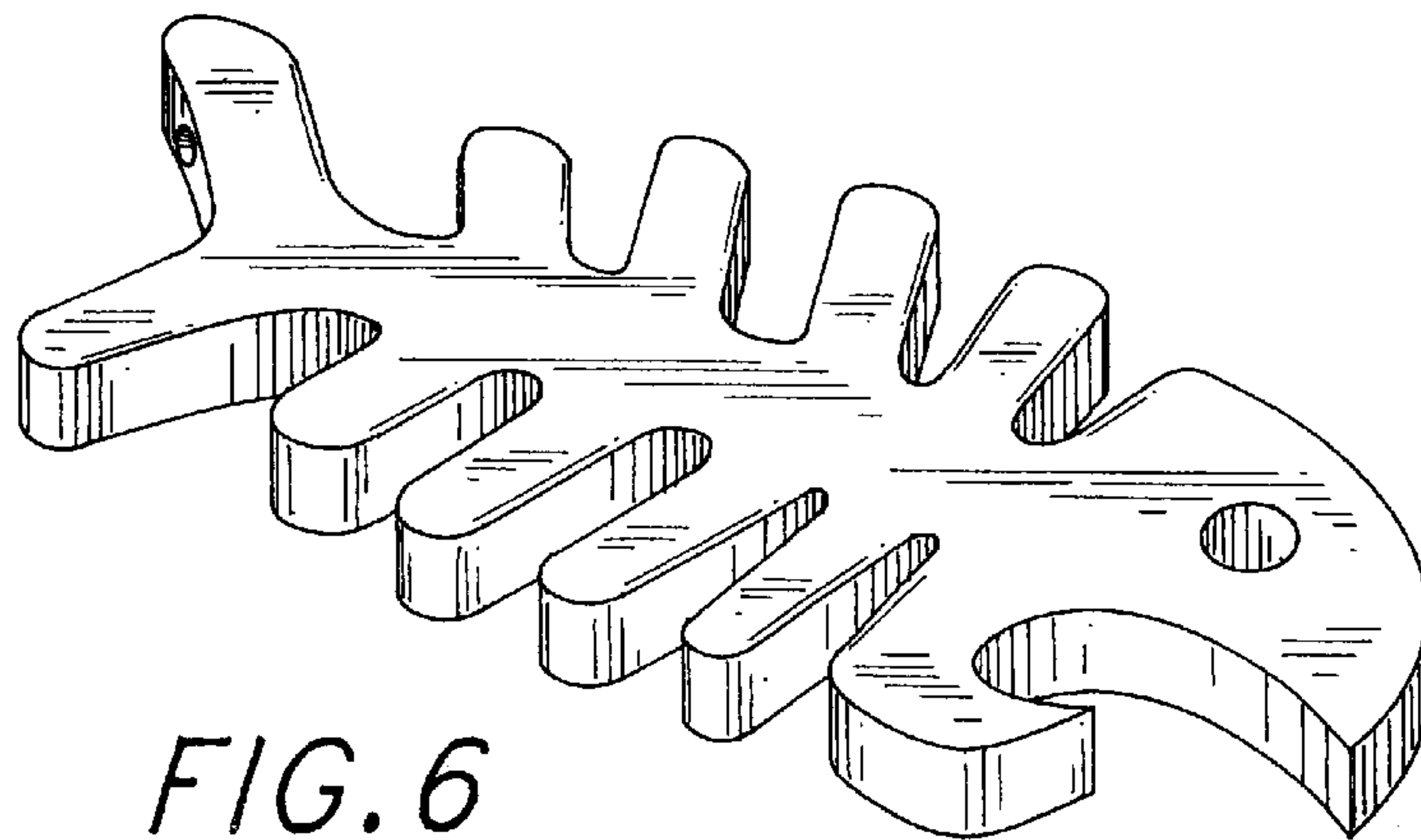


FIG. 6