



US00D488969S

(12) **United States Design Patent**
Castro et al.

(10) **Patent No.:** **US D488,969 S**

(45) **Date of Patent:** **** Apr. 27, 2004**

(54) **BEVERAGE CAN OPENER**

Primary Examiner—Caron D. Veynar

(76) Inventors: **Ynirida Sarah Castro**, 13208
Woodridge Ave., La Mirada, CA (US)
90638; **Joe Castro, IV**, 13208
Woodridge Ave., La Mirada, CA (US)
90638

(57) **CLAIM**

The ornamental design for a beverage can opener, as shown and described.

(**) **Term:** **14 Years**

DESCRIPTION

(21) **Appl. No.:** **29/183,150**

FIG. 1 is a front elevational view of a beverage can opener showing our new design;

(22) **Filed:** **Jun. 5, 2003**

FIG. 2 is a rear elevational view thereof;

(51) **LOC (7) Cl.** **07-99**

(52) **U.S. Cl.** **D8/33**

(58) **Field of Search** D8/16-19, 33-43,
D8/88, 89; 7/151-156, 166; 30/400-450;
81/3.07-3.49

FIG. 3 is a side view, taken from the left side of FIG. 1;

FIG. 4 is a side view, taken from the right side of FIG. 1;

FIG. 5 is a top plan view thereof, the bottom plan view being a mirror image thereof; and,

FIG. 6 is a perspective view thereof.

(56) **References Cited**

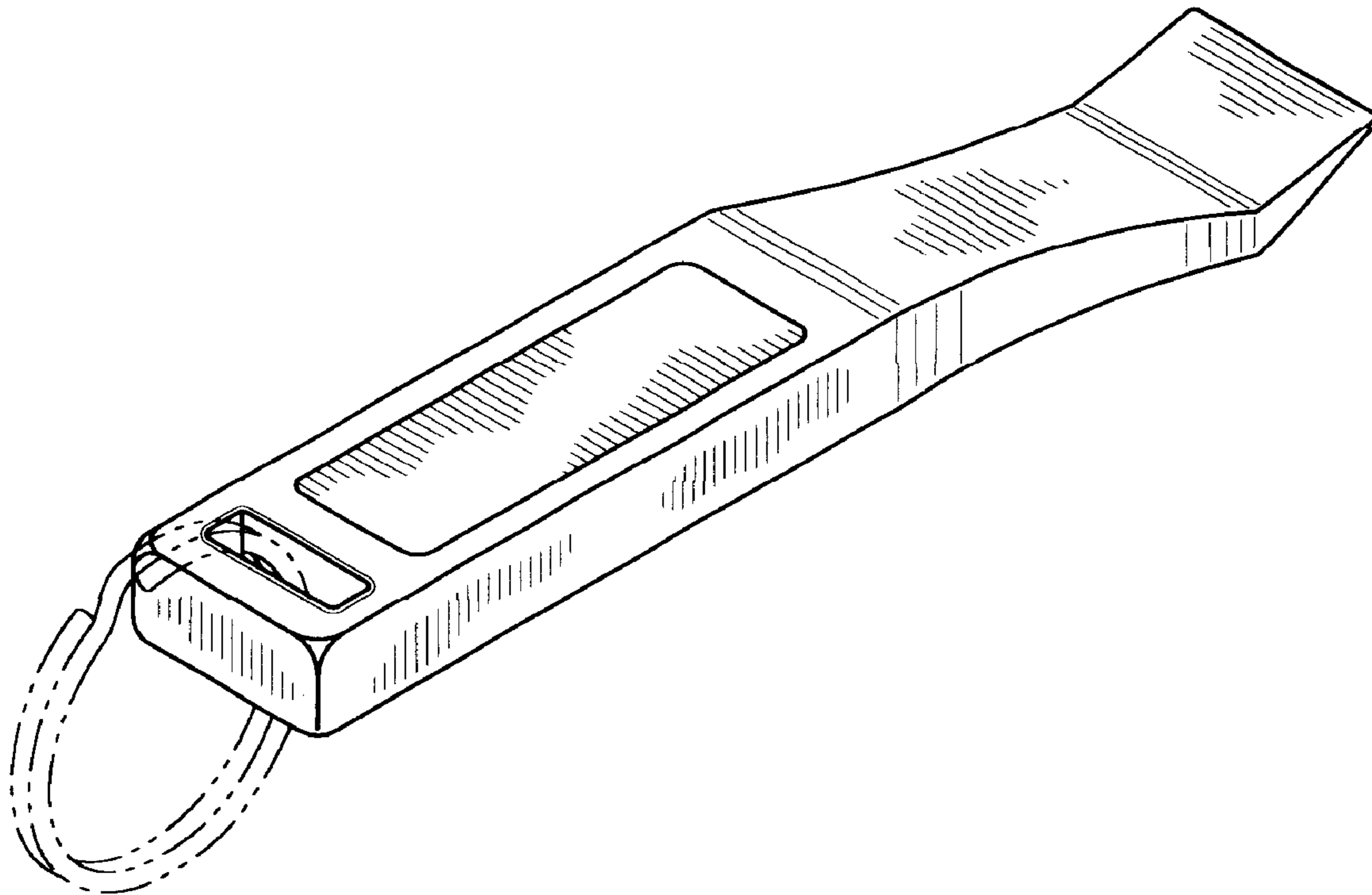
The broken line showing a key ring in the figures are for illustrative purposes only and form no part of the claimed design.

U.S. PATENT DOCUMENTS

6,220,118 B1 * 4/2001 Pacheco et al. 81/3.55

* cited by examiner

1 Claim, 2 Drawing Sheets



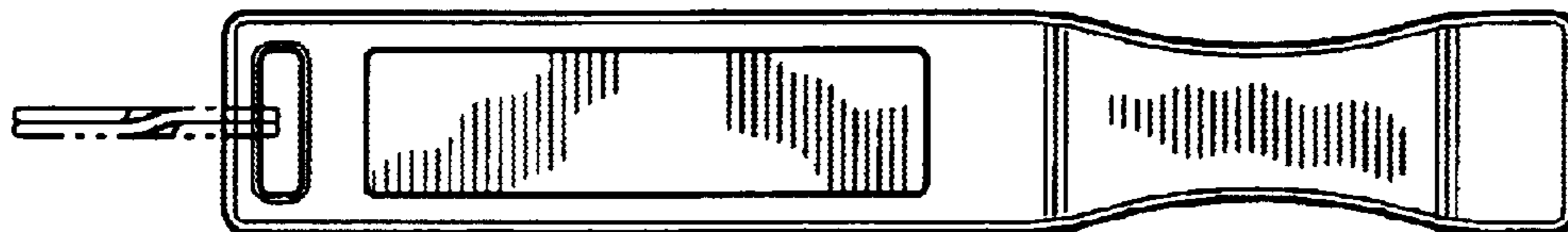


FIG. 1

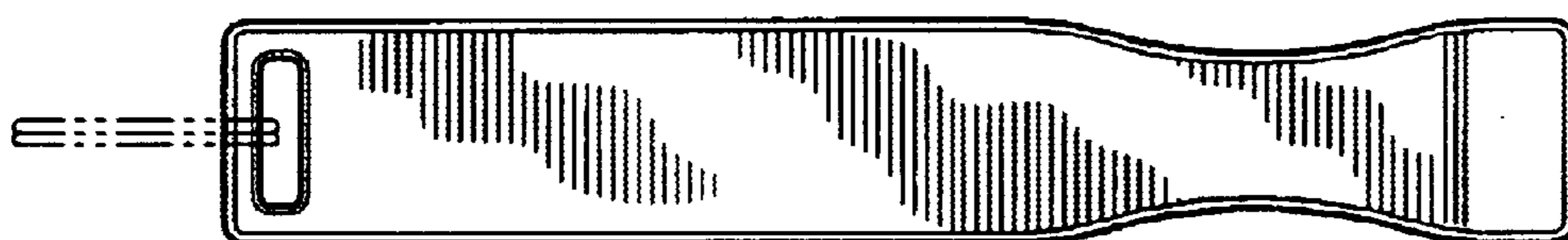


FIG. 2

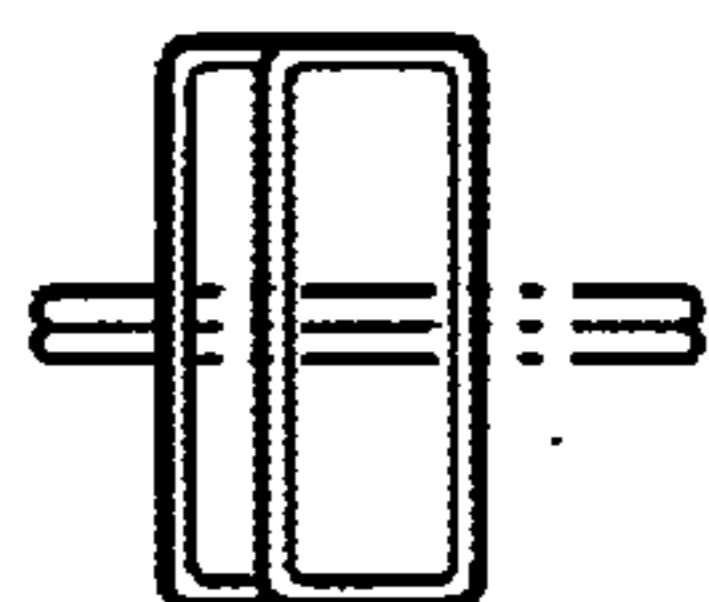


FIG. 3

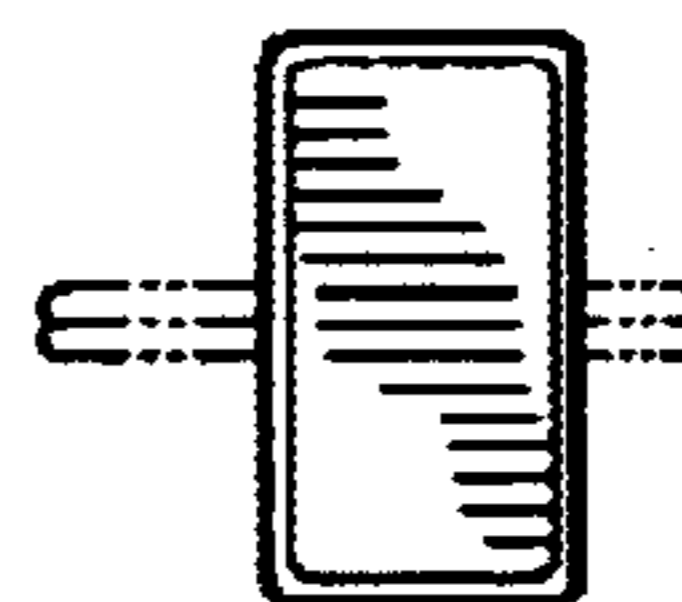


FIG. 4

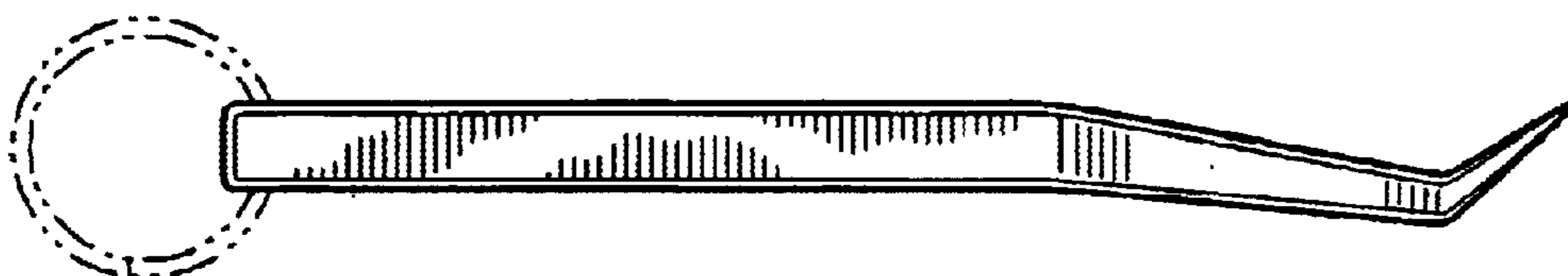


FIG. 5

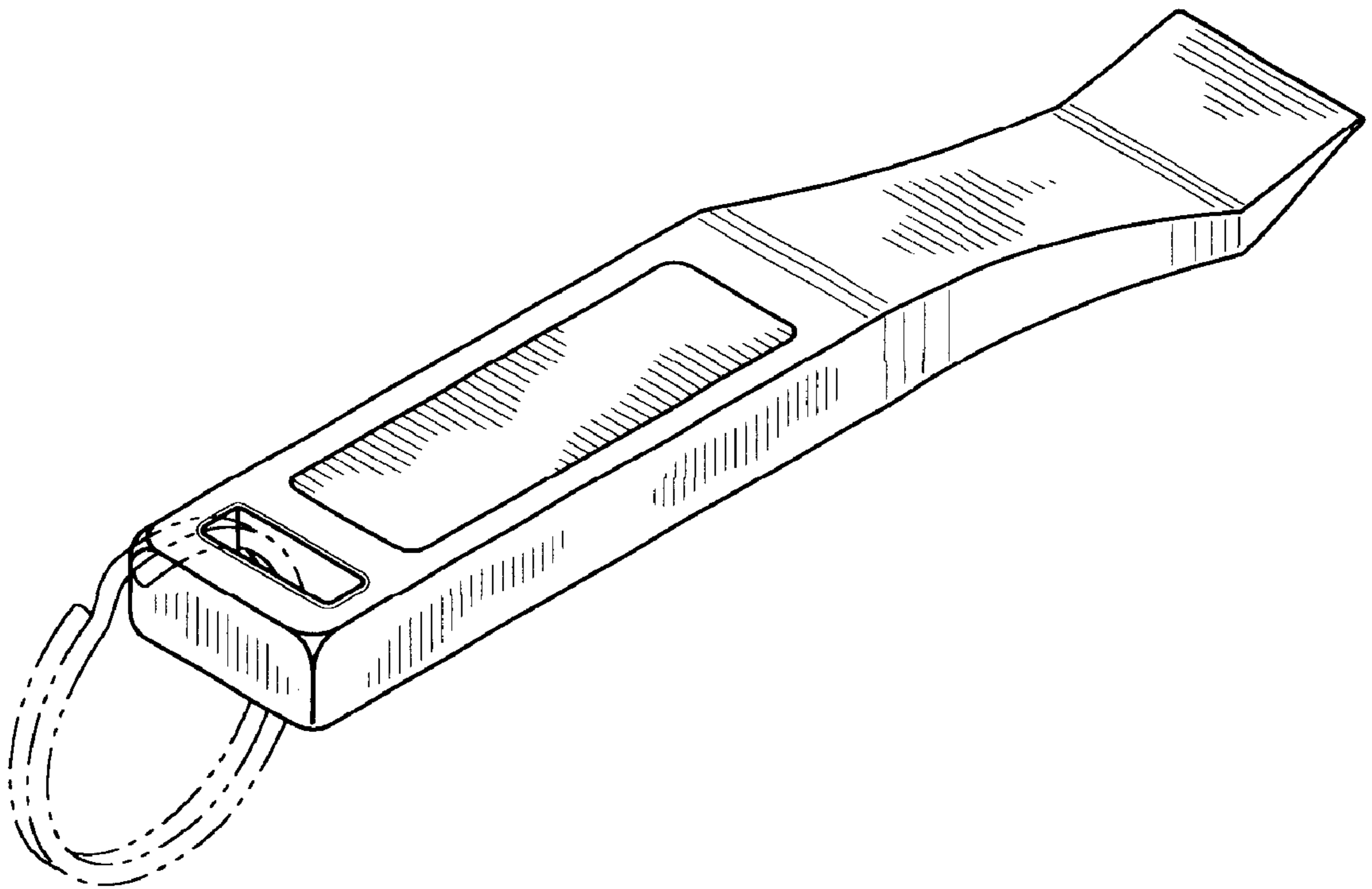


FIG.6