



US00D488968S

(12) **United States Design Patent**
Kinerson et al.

(10) **Patent No.:** **US D488,968 S**

(45) **Date of Patent:** **** Apr. 27, 2004**

(54) **TRIGGER ASSEMBLY**

(75) Inventors: **Kevin J. Kinerson**, Corinth, VT (US);
Joseph P. Jones, Lebanon, NH (US);
Kevin Horner-Richardson, Cornish,
NH (US)

(73) Assignee: **Thermal Dynamics Corporation**, West
Lebanon, NH (US)

(**) Term: **14 Years**

(21) Appl. No.: **29/166,872**

(22) Filed: **Sep. 4, 2002**

(51) **LOC (7) Cl.** **08-05**

(52) **U.S. Cl.** **D8/30; D8/70**

(58) **Field of Search** D8/29.1, 30, 61,
D8/70, 321; D15/144; 200/325, 332.2;
219/137.31, 137.7, 137.9, 137.63, 121.39,
121.48, 144; 266/66

(56) **References Cited**

U.S. PATENT DOCUMENTS

4,250,366 A * 2/1981 Erickson et al. 200/332.2
D301,199 S * 5/1989 Zurwelle D8/70
D326,594 S * 6/1992 Haberman D8/30

D343,629 S * 1/1994 Bode D14/144
D346,390 S * 4/1994 Sperling et al. D15/144
D350,884 S * 9/1994 Sperling et al. D8/30
5,428,197 A * 6/1995 McCurry et al. 200/332.2
5,597,497 A * 1/1997 Dean et al. 219/121.48
D452,128 S * 12/2001 Delfino et al. D8/107

* cited by examiner

Primary Examiner—Philip S. Hyder

(74) *Attorney, Agent, or Firm*—Harness, Dickey & Pierce,
P.L.C.

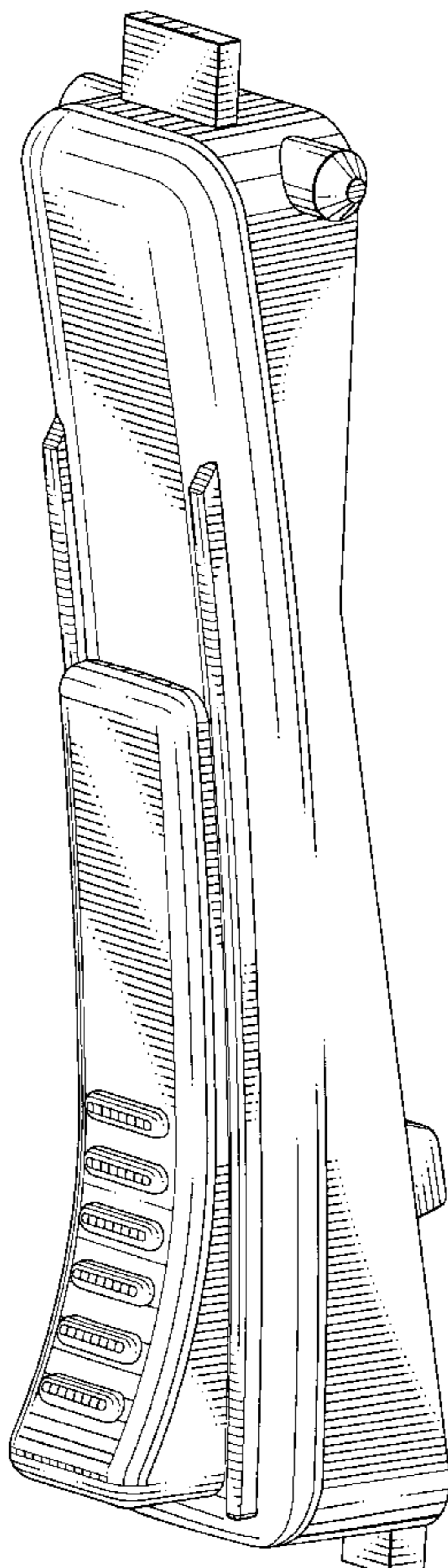
(57) **CLAIM**

The ornamental design for a trigger assembly, as shown and
described.

DESCRIPTION

FIG. 1 is a perspective view from below of the trigger
assembly;
FIG. 2 is a perspective view thereof from above;
FIG. 3 is a front elevation view thereof;
FIG. 4 is a back elevation view thereof;
FIG. 5 is a left elevation view thereof;
FIG. 6 is a right elevation view thereof;
FIG. 7 is a top plan view thereof; and,
FIG. 8 is a bottom plan view thereof.

1 Claim, 7 Drawing Sheets



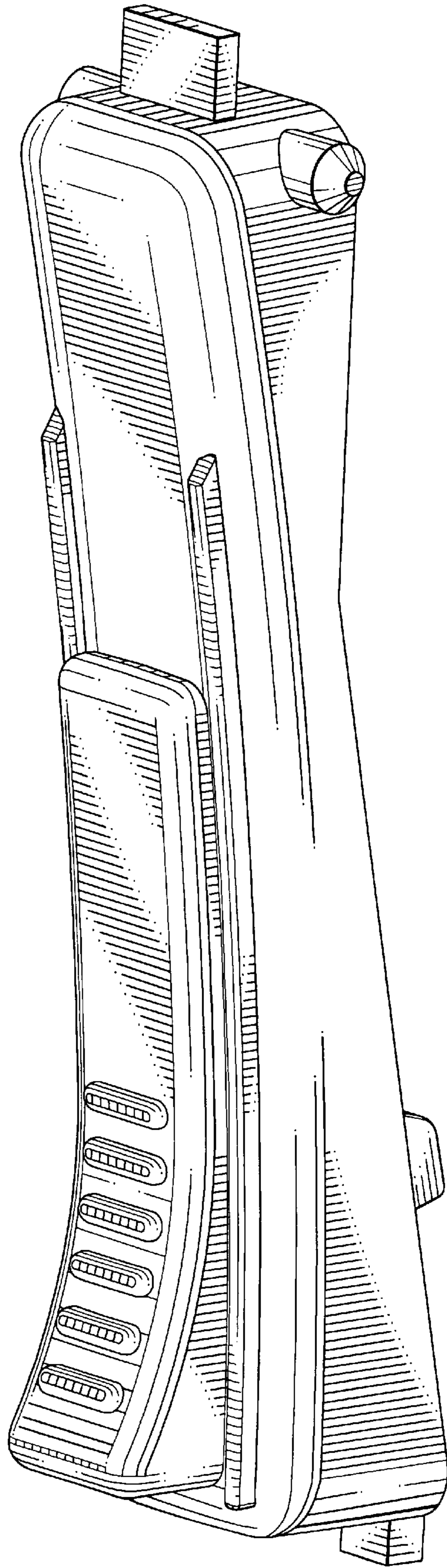


FIG. 1

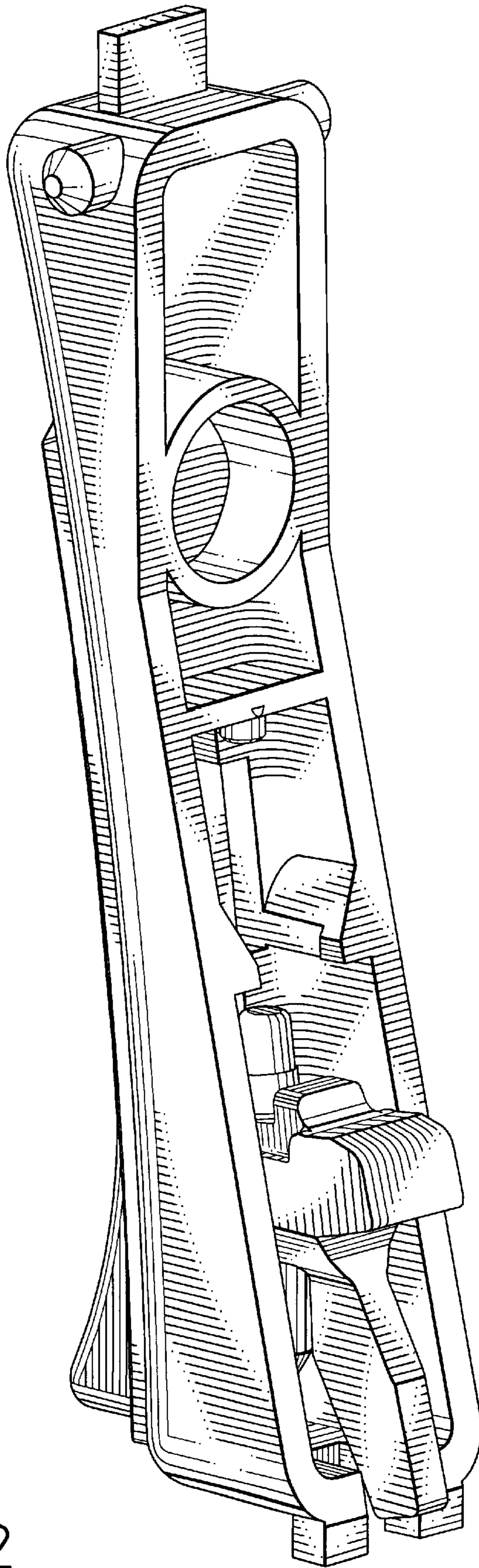


FIG. 2

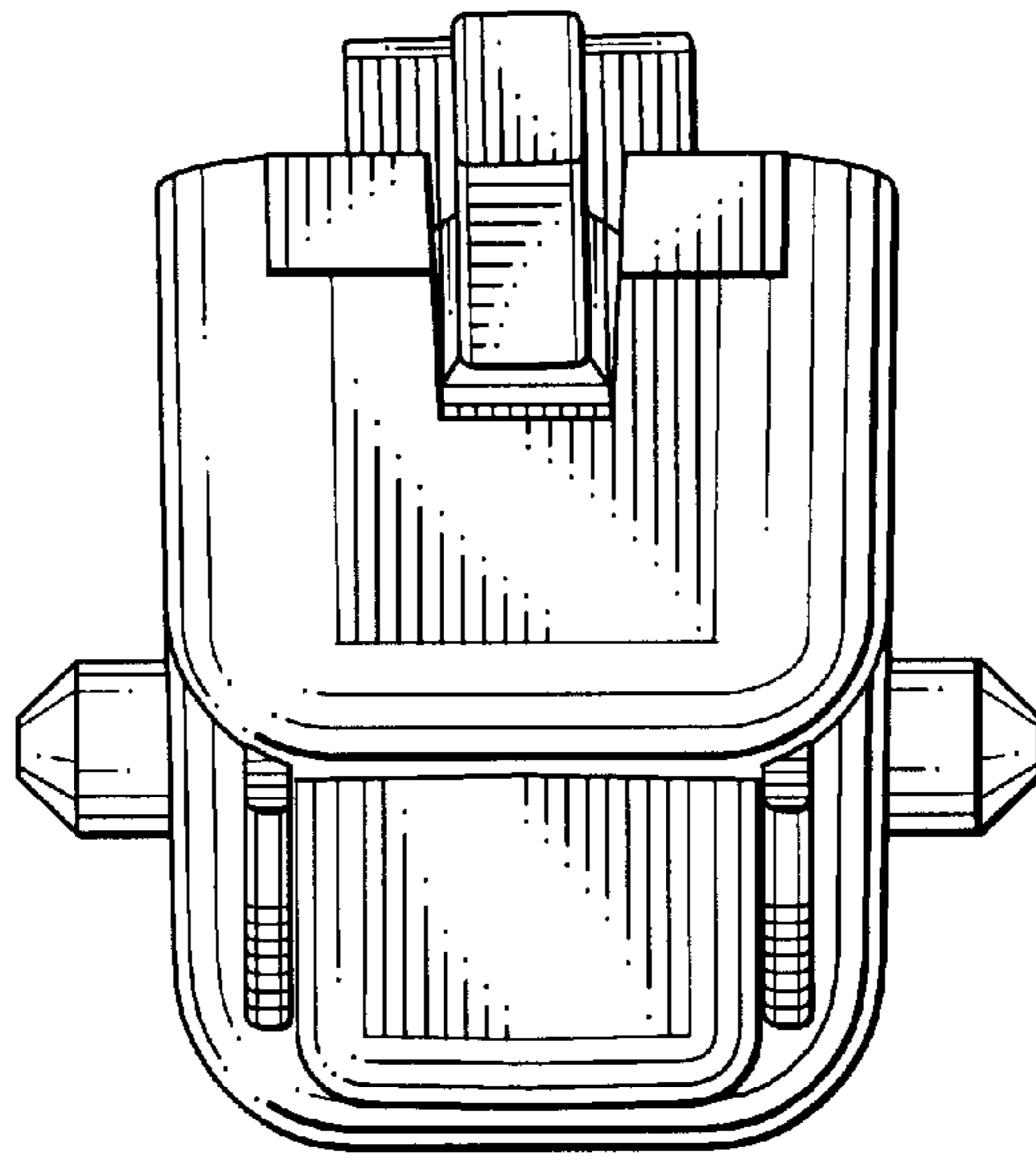


FIG. 3

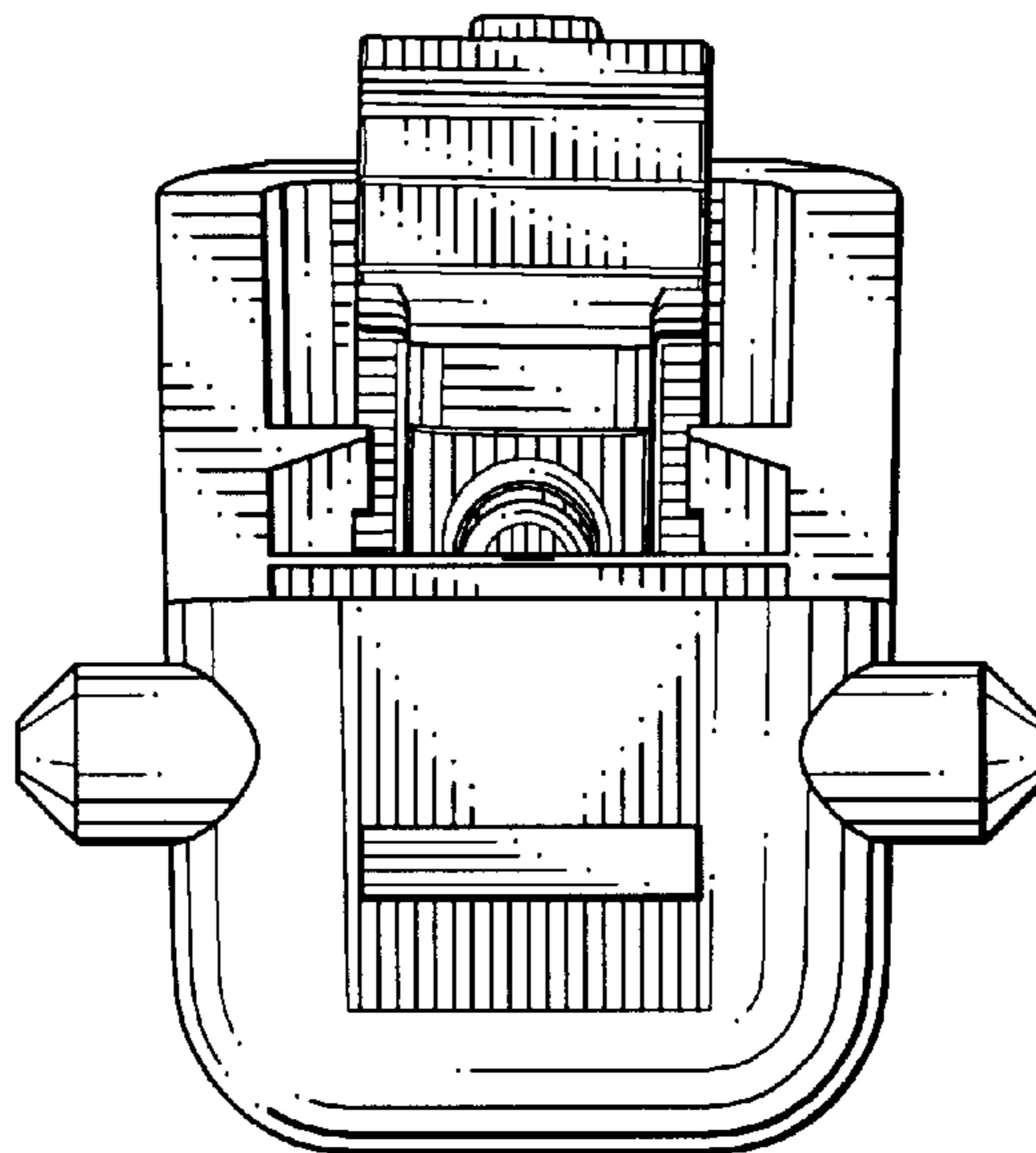


FIG. 4

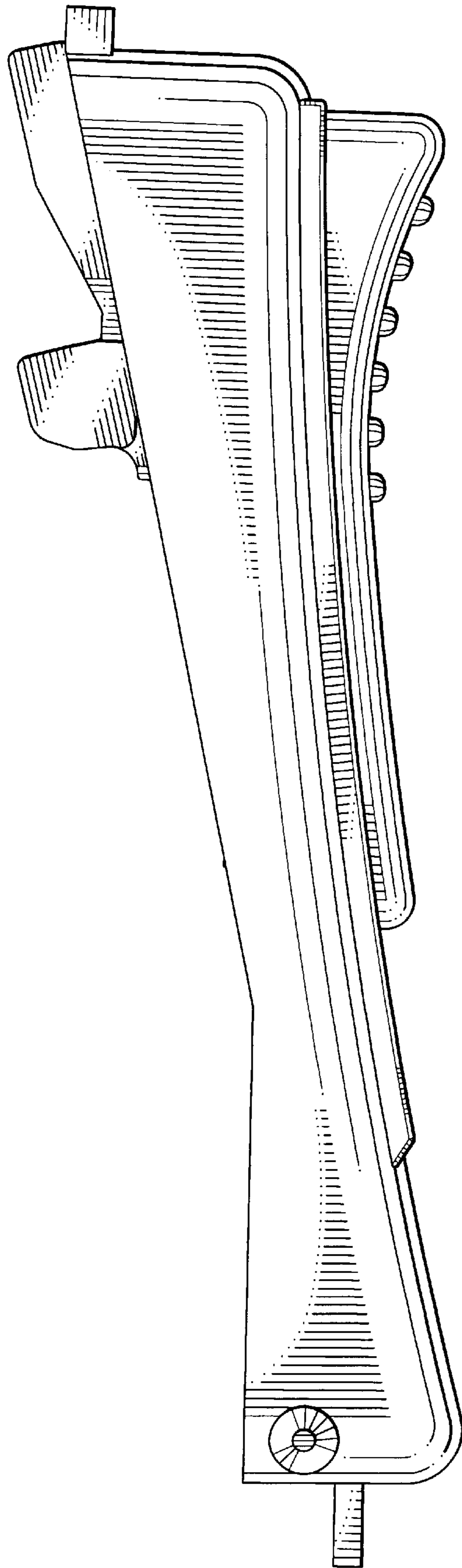


FIG. 5

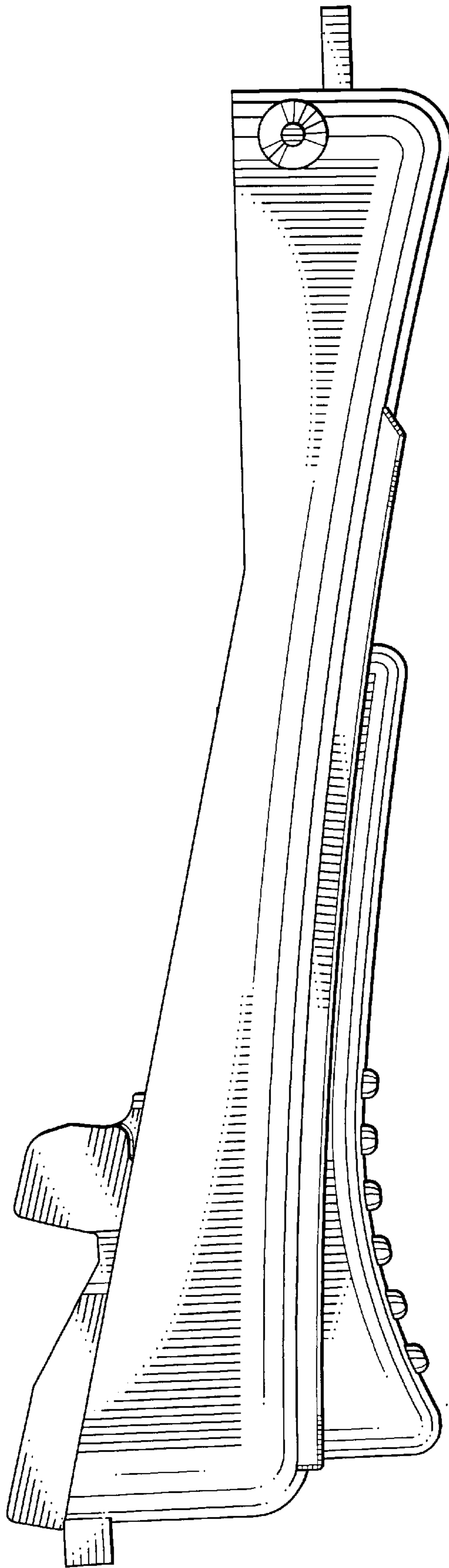


FIG. 6

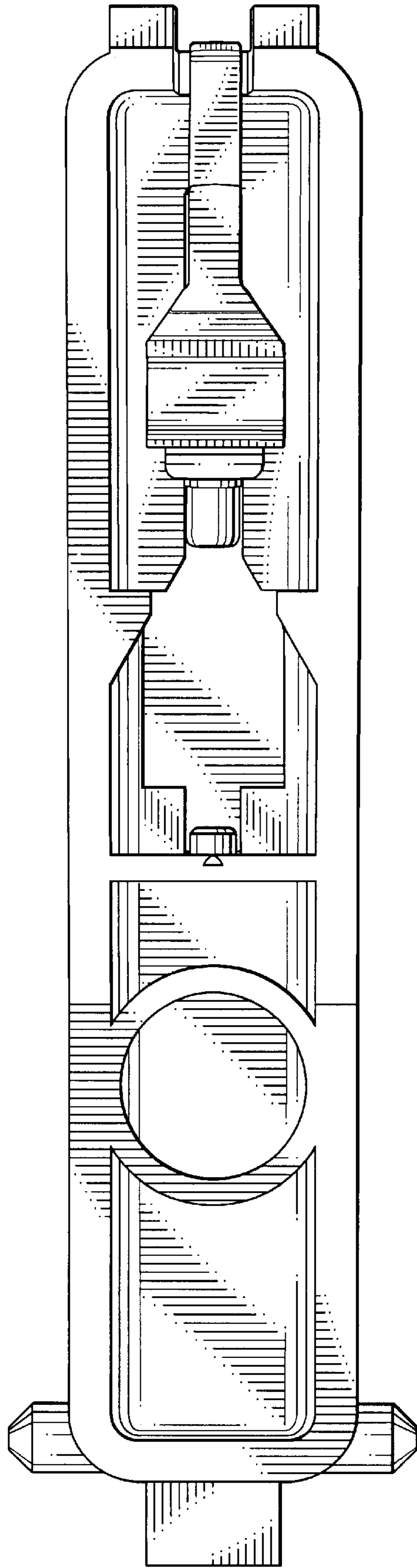


FIG. 7

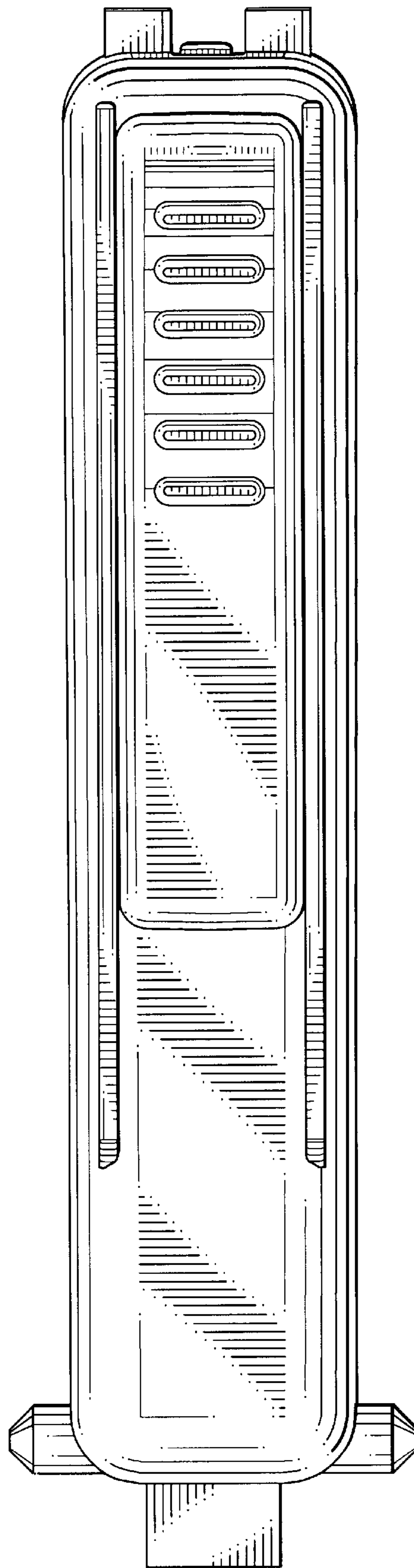


FIG. 8