



US00D488966S

(12) **United States Design Patent**  
**Rimback**

(10) **Patent No.:** **US D488,966 S**

(45) **Date of Patent:** **\*\* Apr. 27, 2004**

(54) **PICTURE HANGING DEVICE**  
(75) Inventor: **Peter D. Rimback**, South Euclid, OH (US)  
(73) Assignee: **HSN Improvements, LLC**, Weehawken, NJ (US)  
(\*\*) Term: **14 Years**

5,398,906 A 3/1995 Aydelott  
5,471,760 A 12/1995 Farris  
5,509,213 A 4/1996 Kelly et al.  
5,520,318 A 5/1996 Sloop  
5,832,618 A \* 11/1998 Scarborough ..... 33/451  
5,867,917 A 2/1999 Karon  
6,032,378 A \* 3/2000 Null ..... 33/613  
6,185,831 B1 \* 2/2001 Pluciennik ..... 33/613  
6,286,803 B1 9/2001 Pellino et al.

\* cited by examiner

(21) Appl. No.: **29/159,845**  
(22) Filed: **Apr. 29, 2002**

*Primary Examiner*—Holly Baynham  
(74) *Attorney, Agent, or Firm*—Thompson Hine LLP

(51) **LOC (7) Cl.** ..... **08-05**  
(52) **U.S. Cl.** ..... **D8/14; D8/373**  
(58) **Field of Search** ..... D8/14, 373; 248/466, 248/475.1, 495-496, 490, 478; 33/613; 227/32

(57) **CLAIM**

The design for a picture hanging device, as shown and described.

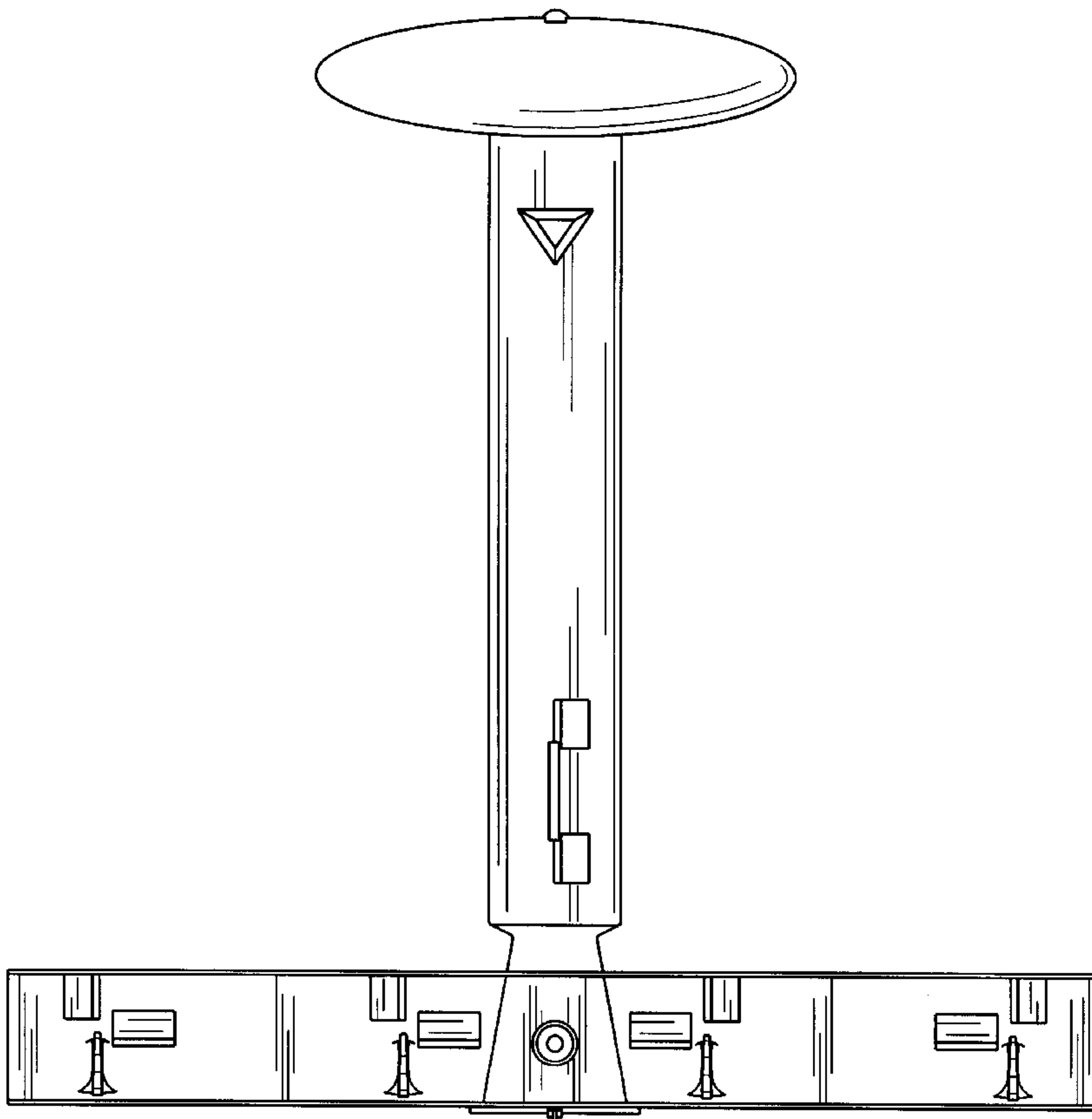
**DESCRIPTION**

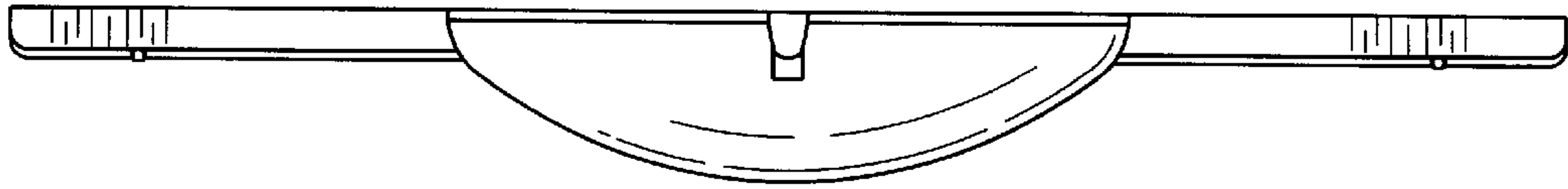
(56) **References Cited**  
**U.S. PATENT DOCUMENTS**

4,893,776 A 1/1990 Floyd  
5,103,573 A 4/1992 Ehling et al.  
5,103,574 A 4/1992 Levy  
5,109,611 A 5/1992 Houck  
5,129,154 A 7/1992 Aydelott  
5,180,135 A 1/1993 Hindall

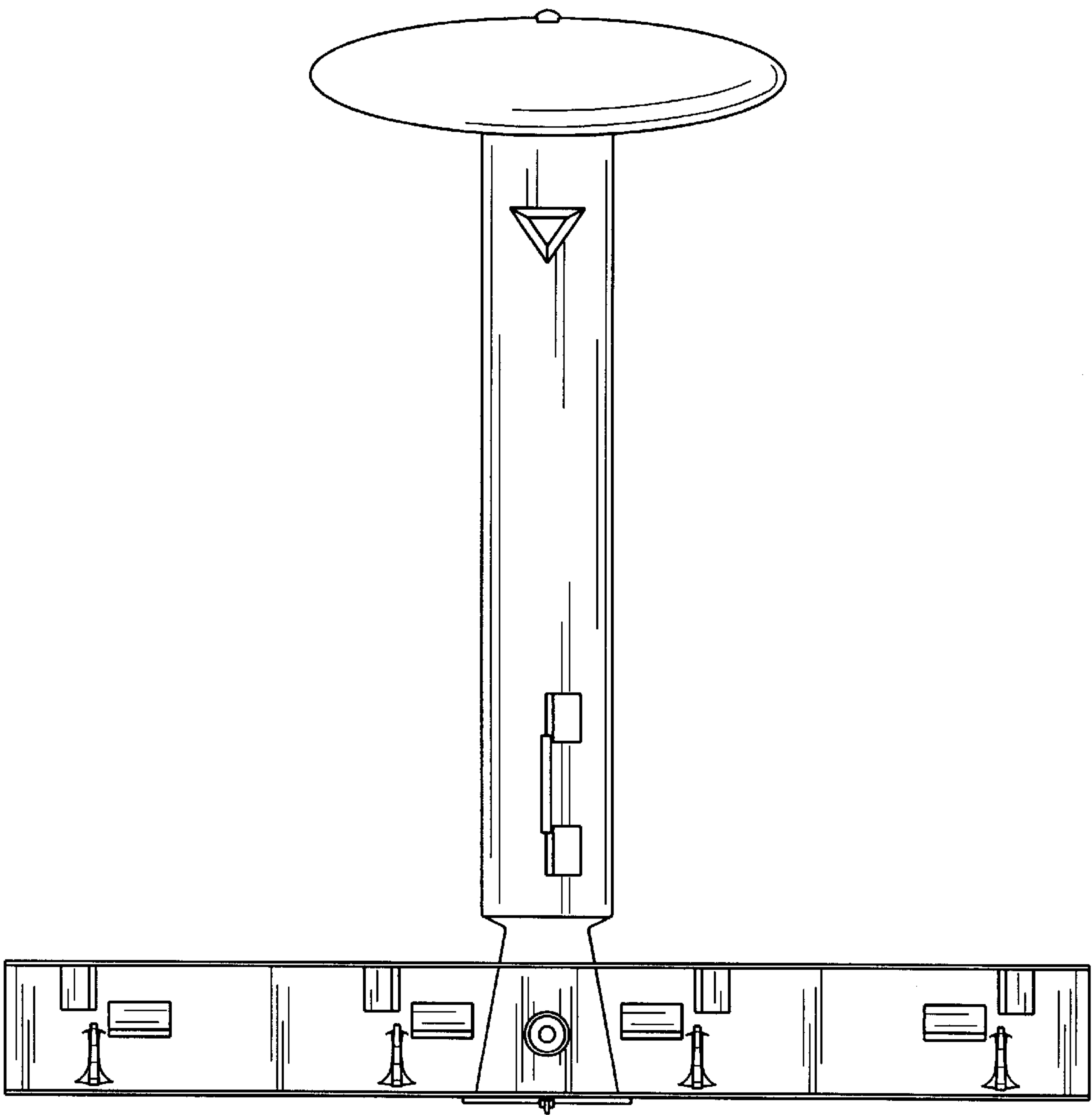
FIG. 1 is a front elevational view of my new picture hanging device;  
FIG. 2 is a top plan view thereof;  
FIG. 3 is a rear elevational view thereof;  
FIG. 4 is a bottom plan view thereof; and,  
FIG. 5 is a side elevational view thereof.

**1 Claim, 3 Drawing Sheets**





*Fig. 2*



*Fig. 1*

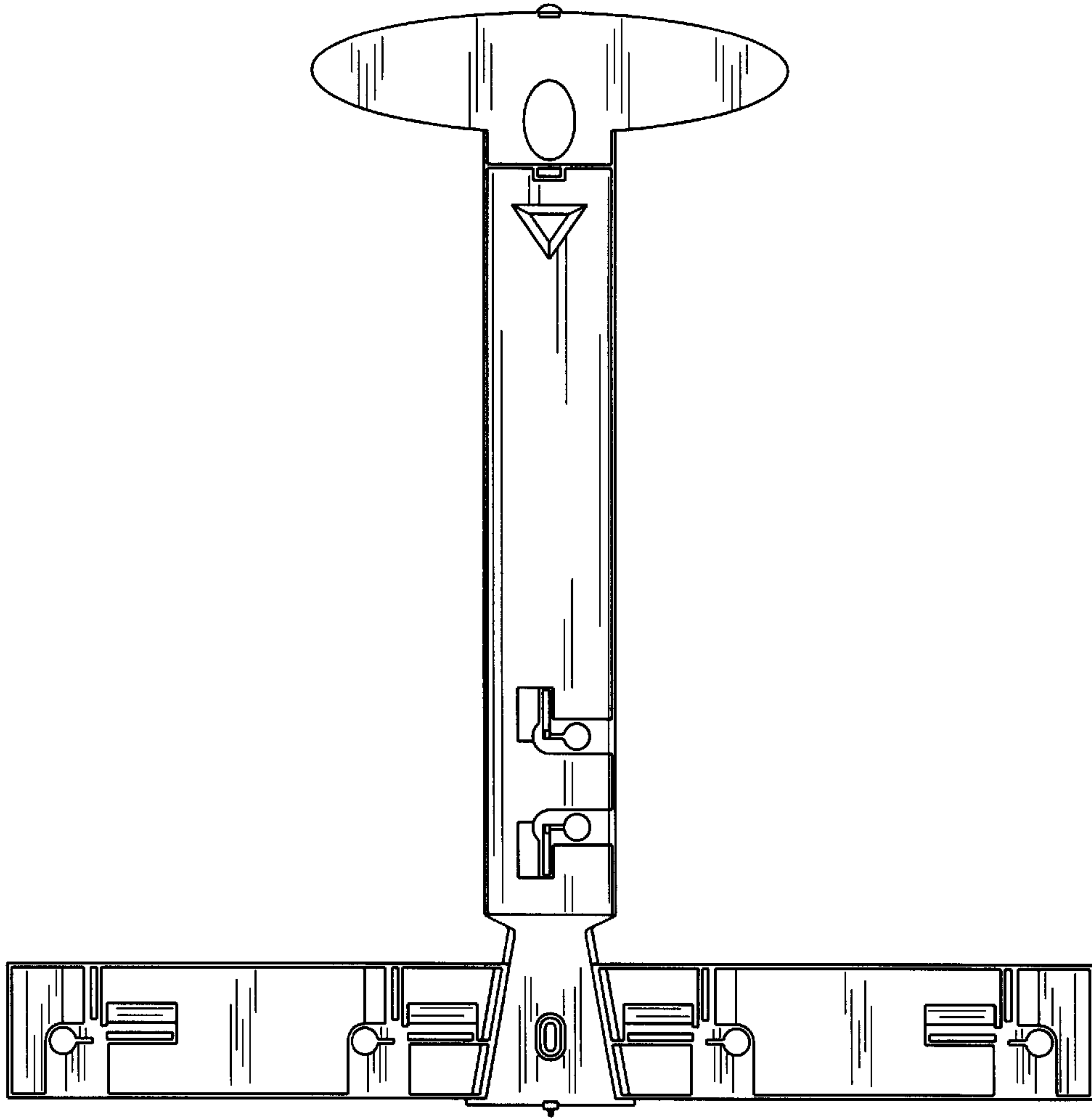


Fig. 3

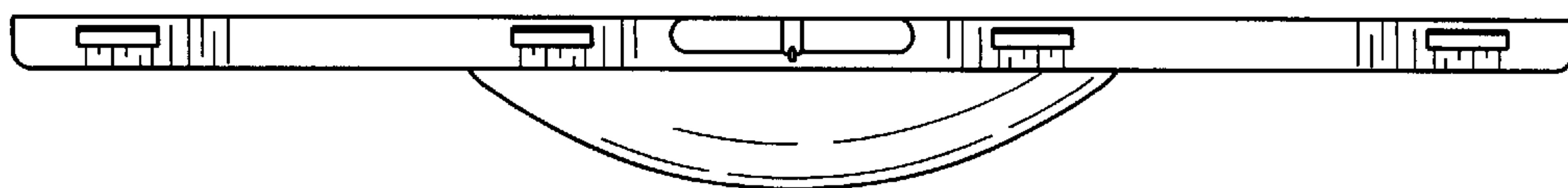
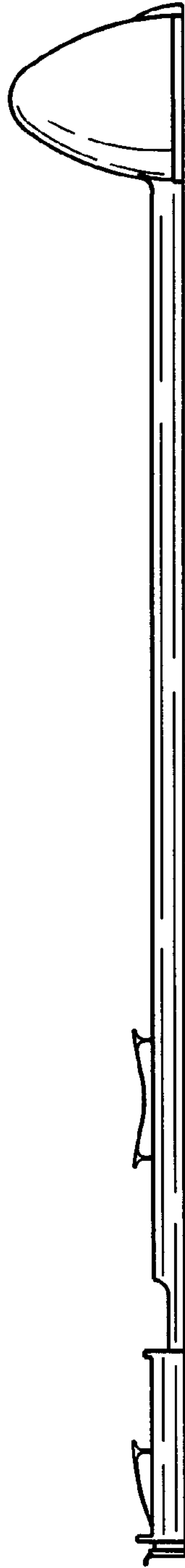


Fig. 4



*Fig. 5*