



US00D488965S

(12) **United States Design Patent**
Schuler

(10) **Patent No.:** **US D488,965 S**

(45) **Date of Patent:** **** Apr. 27, 2004**

(54) **CARRYING TRAY FOR BEVERAGE CONTAINERS**

3,478,457 A * 11/1969 Watkins 211/75
D381,515 S * 7/1997 Haynes D7/553.4
D447,916 S * 9/2001 Bodum D7/706

(76) Inventor: **Troy Schuler**, 10301 S. Bridge Dr.,
Alta Loma, CA (US) 91737

* cited by examiner

(**) Term: **14 Years**

Primary Examiner—Terry A. Wallace

(21) Appl. No.: **29/174,013**

(57) **CLAIM**

(22) Filed: **Jan. 10, 2003**

The ornamental design for a carrying tray for beverage containers, as shown and described.

(51) **LOC (7) Cl.** **07-06**

DESCRIPTION

(52) **U.S. Cl.** **D7/706; D7/553.4**

FIG. 1 is a front, left perspective view of the carrying tray for beverage containers showing my new design;

(58) **Field of Search** D7/701, 705-708,
D7/550.1, 552.1, 553.1-553.5, 554.1, 554.3,
590, 600; 206/557, 558, 562-564; 211/71.01,
74, 75, 126.1, 126.14; 248/311.2

FIG. 2 is a front view thereof, the rear view being a mirror image of the front view;

FIG. 3 is a top plan view thereof; and,

FIG. 4 is a left side view thereof, the right side view being a mirror image of the left side view.

(56) **References Cited**

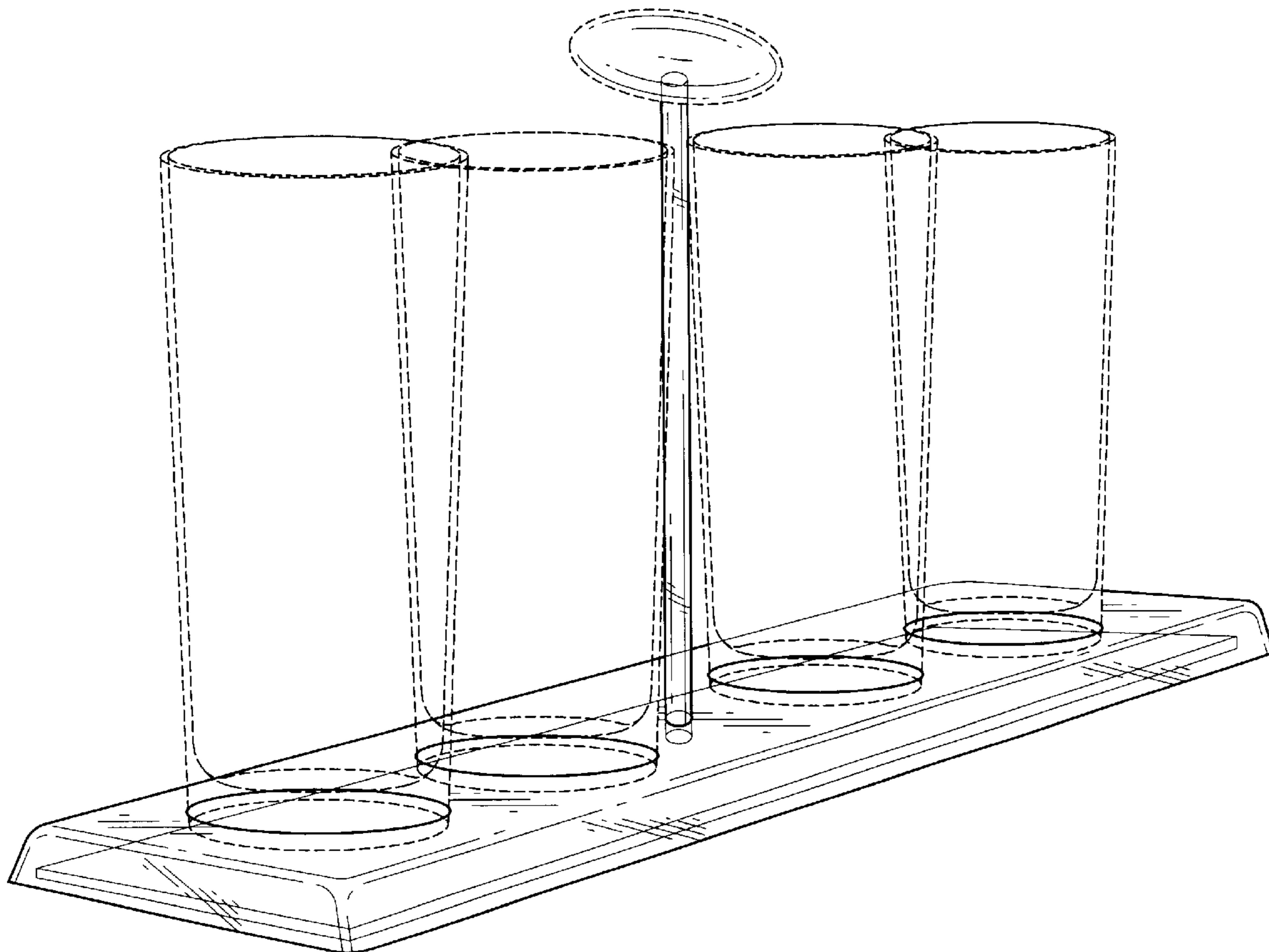
The bottom is substantially flat and unornamented.

U.S. PATENT DOCUMENTS

The particular shape of the carrying handle, as well as other features shown in broken lines in FIGS. 1-4, do not form part of the claimed design.

D55,496 S * 6/1920 White D7/590
D122,774 S * 10/1940 Frederick D7/553.4
D148,883 S * 3/1948 Panzer D7/706
D201,695 S * 7/1965 Bieger D7/705

1 Claim, 4 Drawing Sheets



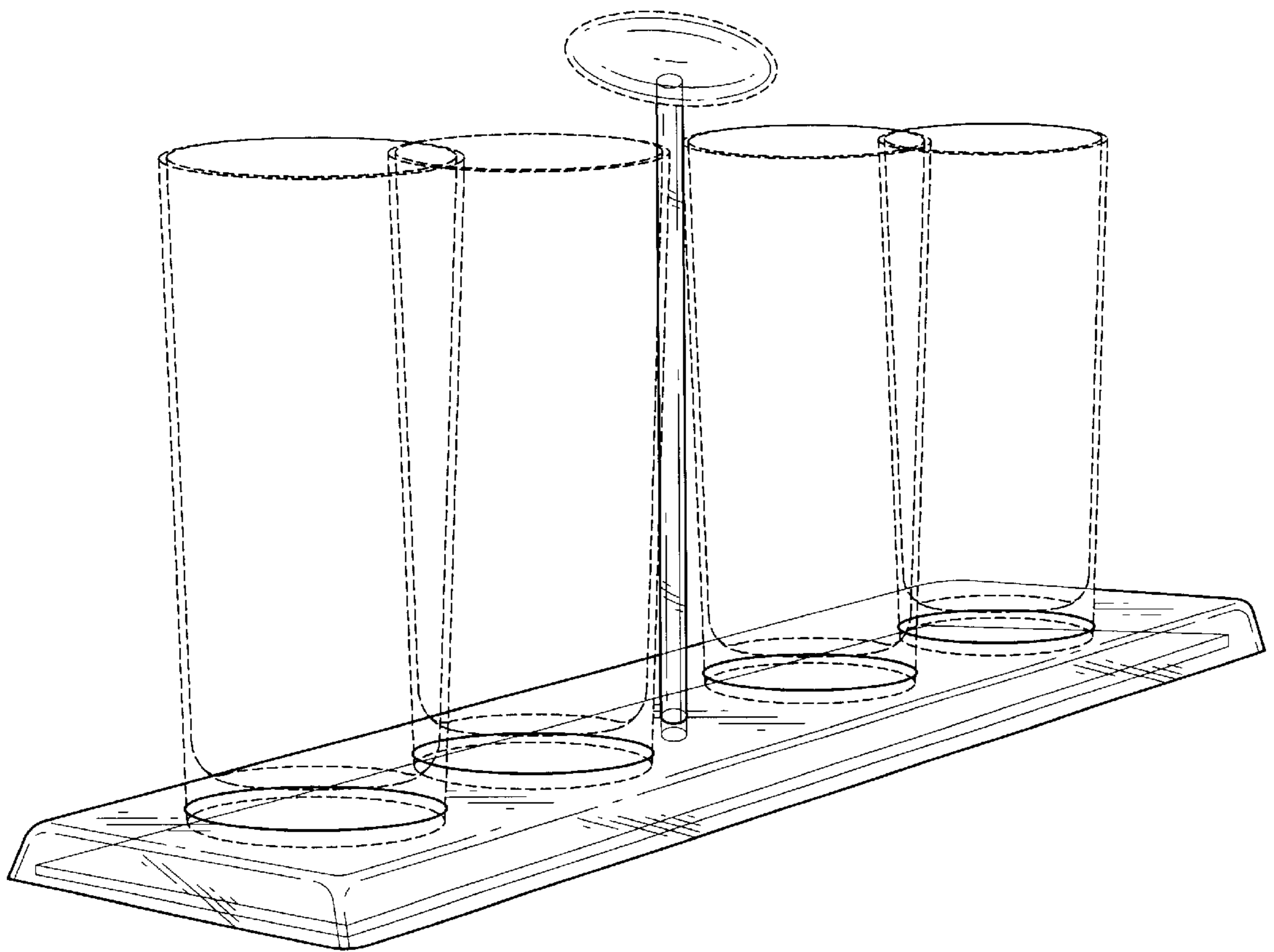


FIG.1

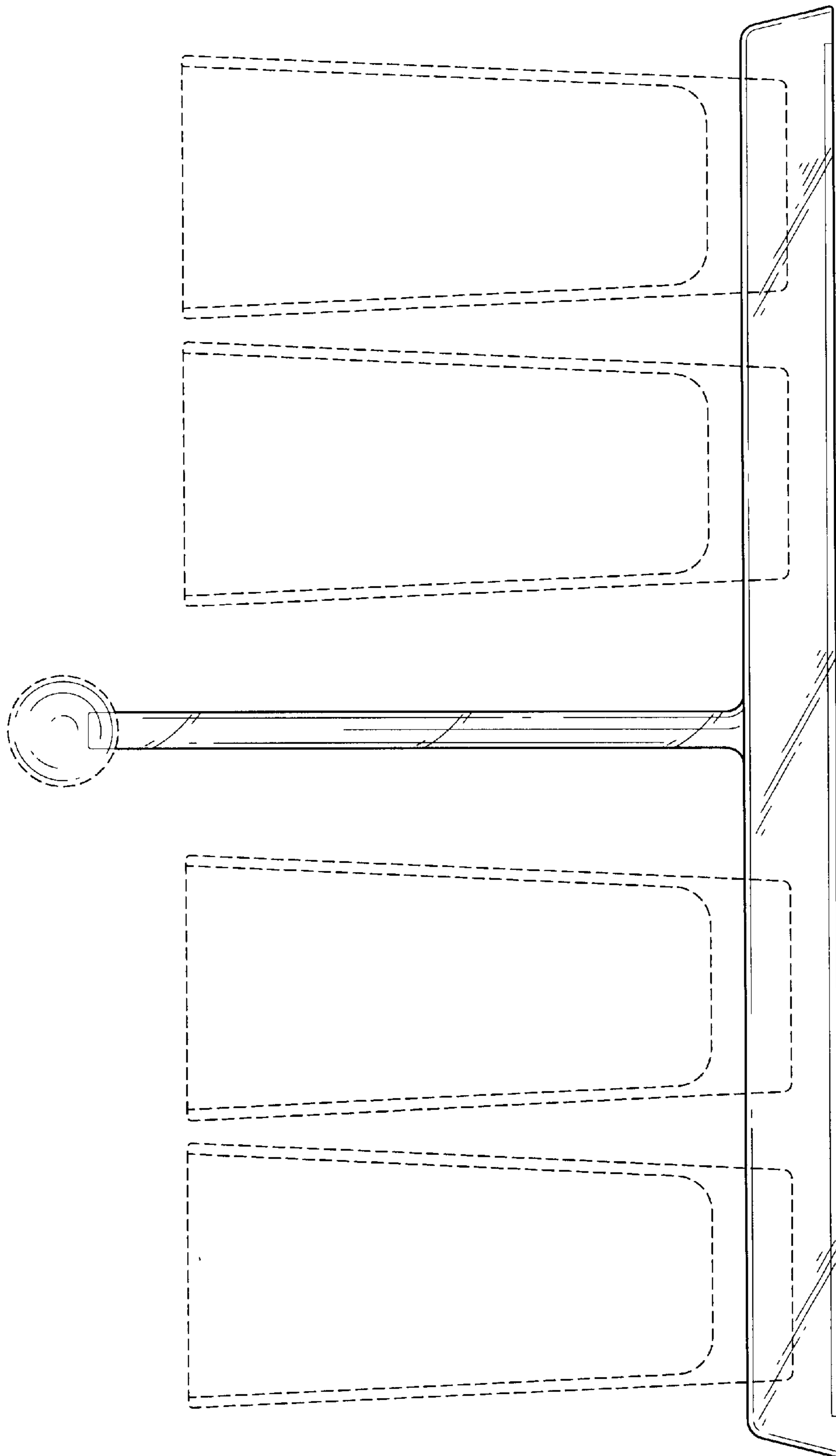


FIG.2

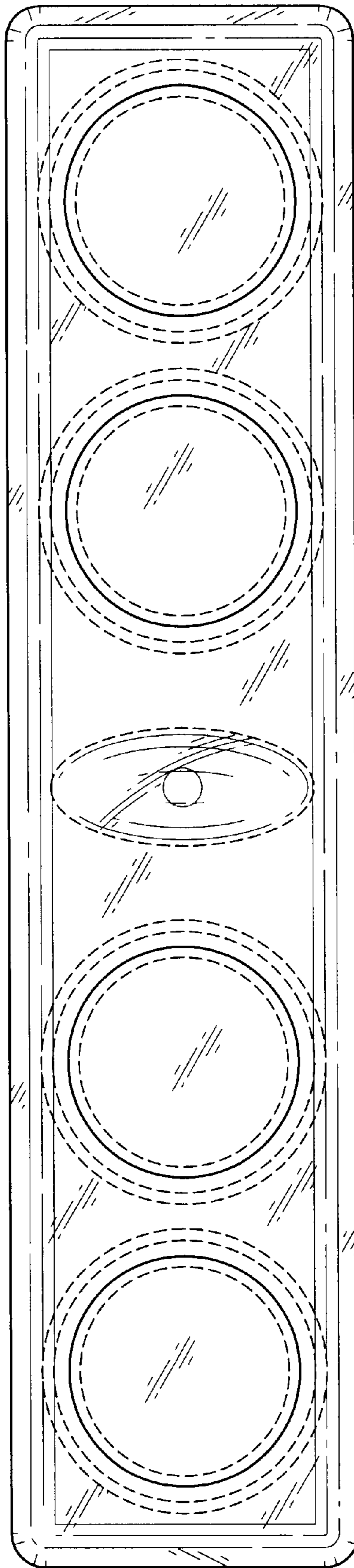


FIG. 3

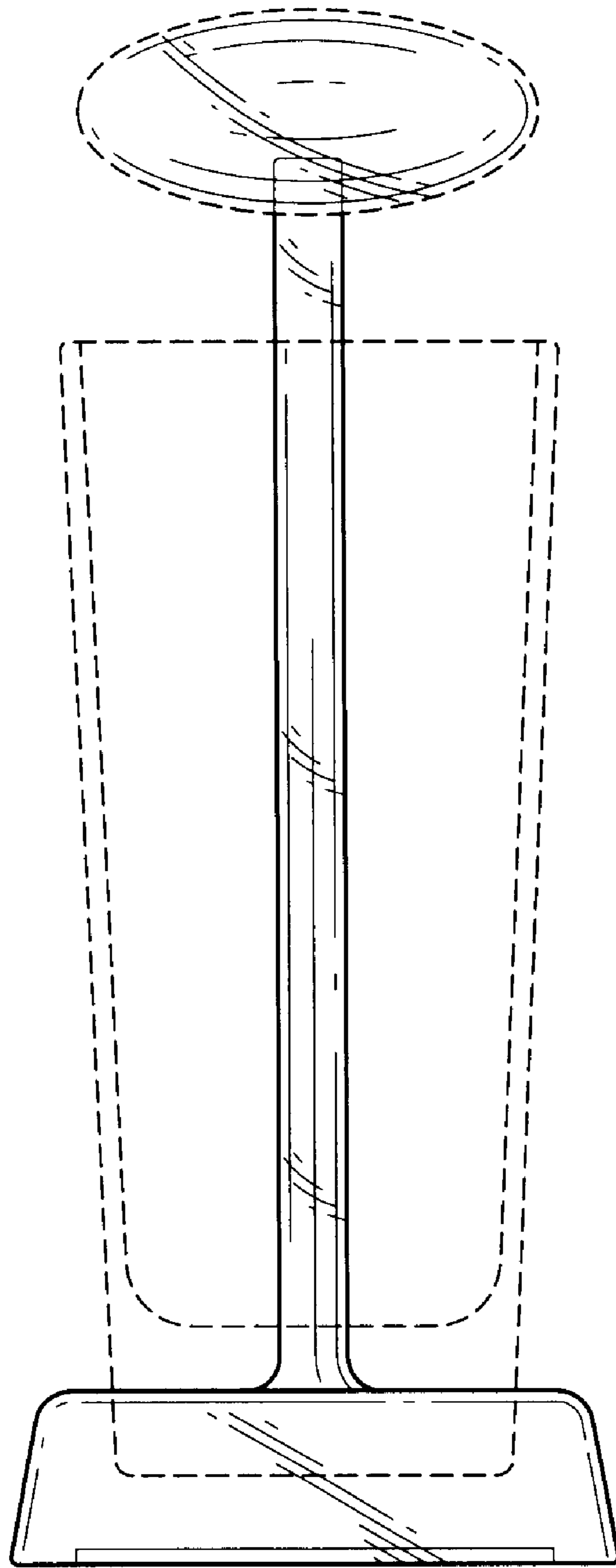


FIG. 4