



US00D488964S

(12) **United States Design Patent**
Dagan

(10) **Patent No.:** **US D488,964 S**

(45) **Date of Patent:** **** Apr. 27, 2004**

(54) **BOTTLE RACK**

(76) Inventor: **Gideon Dagan**, 986 Vernon Ave.,
Venice, CA (US) 90291

(**) Term: **14 Years**

(21) Appl. No.: **29/182,631**

(22) Filed: **May 29, 2003**

(51) **LOC (7) Cl.** **06-04**

(52) **U.S. Cl.** **D7/701**

(58) **Field of Search** D7/701, 702, 707,
D7/708; D6/458, 462, 466; 211/70.1, 74,
134, 182

(56) **References Cited**

U.S. PATENT DOCUMENTS

D182,395 S	*	4/1958	Ahlenius	D7/708
3,379,315 A	*	4/1968	Broadwin	211/74
D228,858 S	*	10/1973	Wagehal	D7/708
D236,411 S	*	8/1975	Hormy	D7/708
4,093,076 A	*	6/1978	Newton	211/74
4,422,555 A	*	12/1983	Jacobs	211/74

OTHER PUBLICATIONS

- Kartell Catalog, Infinity Design by Ron Arad undated.
- Kartell Flyer, Mode #7680 undated.
- Magis Catalog, Stackable Bottle Rack undated.
- Magis Catalog, 'Bottle' Stackable Wine Rack by Jasper Morrison undated.
- Winerack Store, Versatile Wooden Wine Racks undated.
- Winerack Store, Wine Storage Cubes undated.
- Winerack Store, Metal Wine Racks undated.
- Winerack Store, Premium Wine Racks undated.

The Beverly Hills Organizer, Stackable Wine Rack undated.
Moma Online Store, Objx Wine Rack undated.

* cited by examiner

Primary Examiner—Terry A. Wallace

(74) *Attorney, Agent, or Firm*—Birch, Stewart, Kolasch &
Birch, LLP; John A. Scillieri

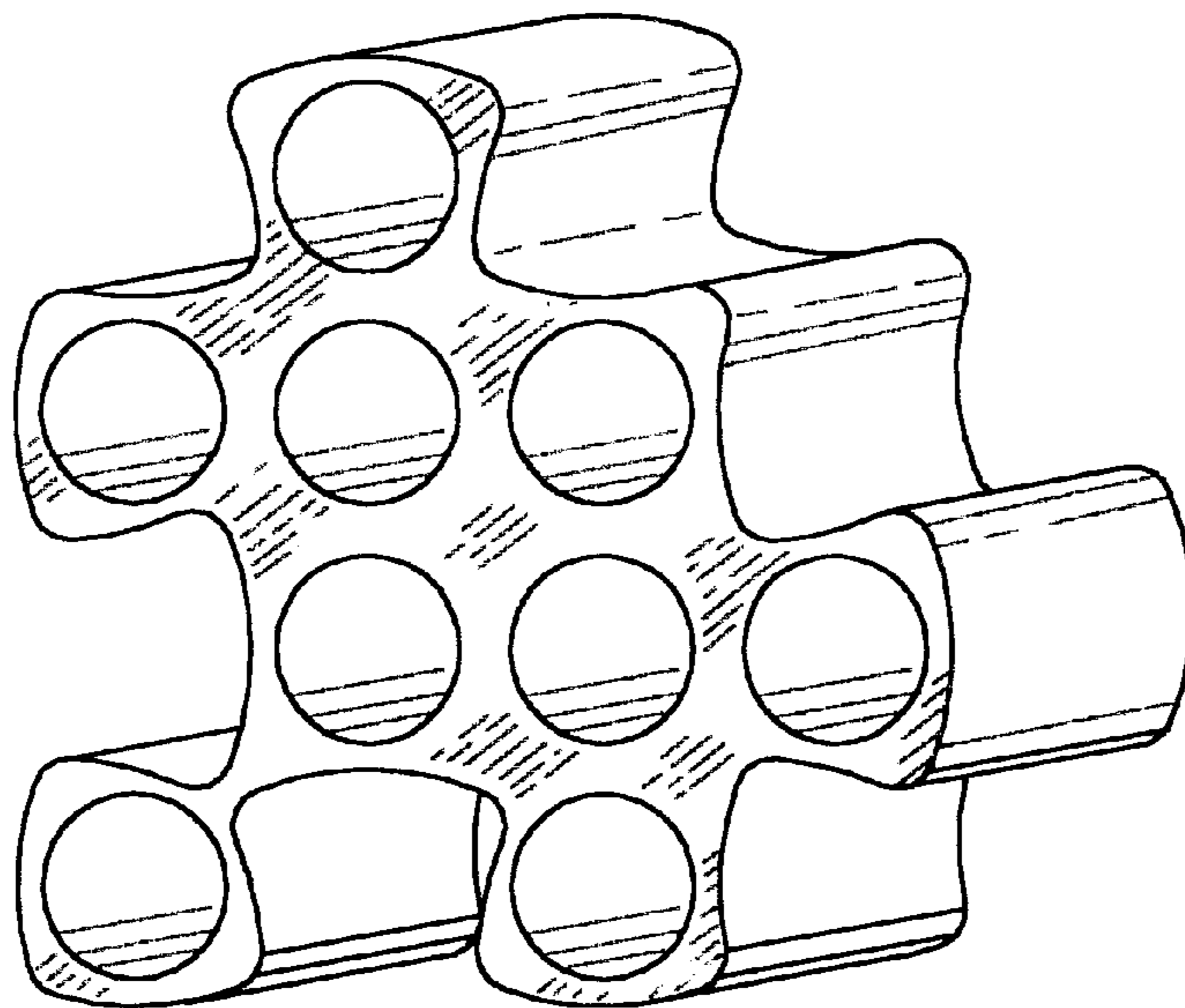
(57) **CLAIM**

The ornamental design for a bottle rack, as shown and
described.

DESCRIPTION

FIG. 1 is a front perspective view of the bottle rack constructed in accordance with the invention;
 FIG. 2 is a front perspective view of the bottle rack illustrated in an alternative orientation rotated approximately 45° clockwise from the orientation of FIG. 1;
 FIG. 3 is a front perspective view of the bottle rack illustrated in a second alternative orientation rotated approximately 135° clockwise from the orientation of FIG. 1.
 FIG. 4 is a front elevational view of the bottle rack illustrated in FIG. 1;
 FIG. 5 is a rear elevational view of the bottle rack illustrated in FIG. 1;
 FIG. 6 is a top plan view of the bottle rack illustrated in FIG. 1;
 FIG. 7 is a bottom plan view of the bottle rack illustrated in FIG. 1;
 FIG. 8 is a left side elevational view of the bottle rack illustrated in FIG. 1; and,
 FIG. 9 is a right side elevational view of the bottle rack illustrated in FIG. 1.

1 Claim, 2 Drawing Sheets



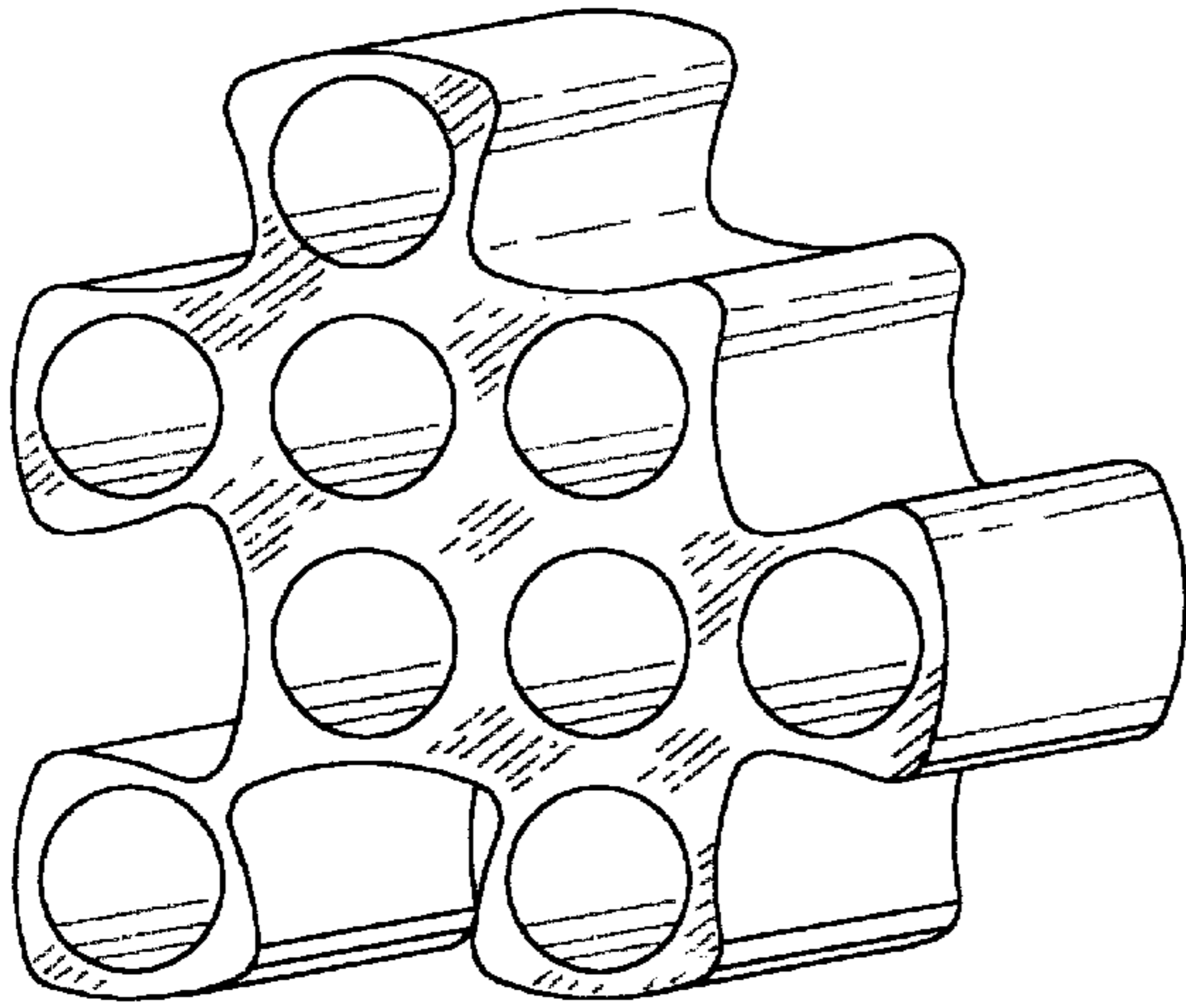


Fig.1

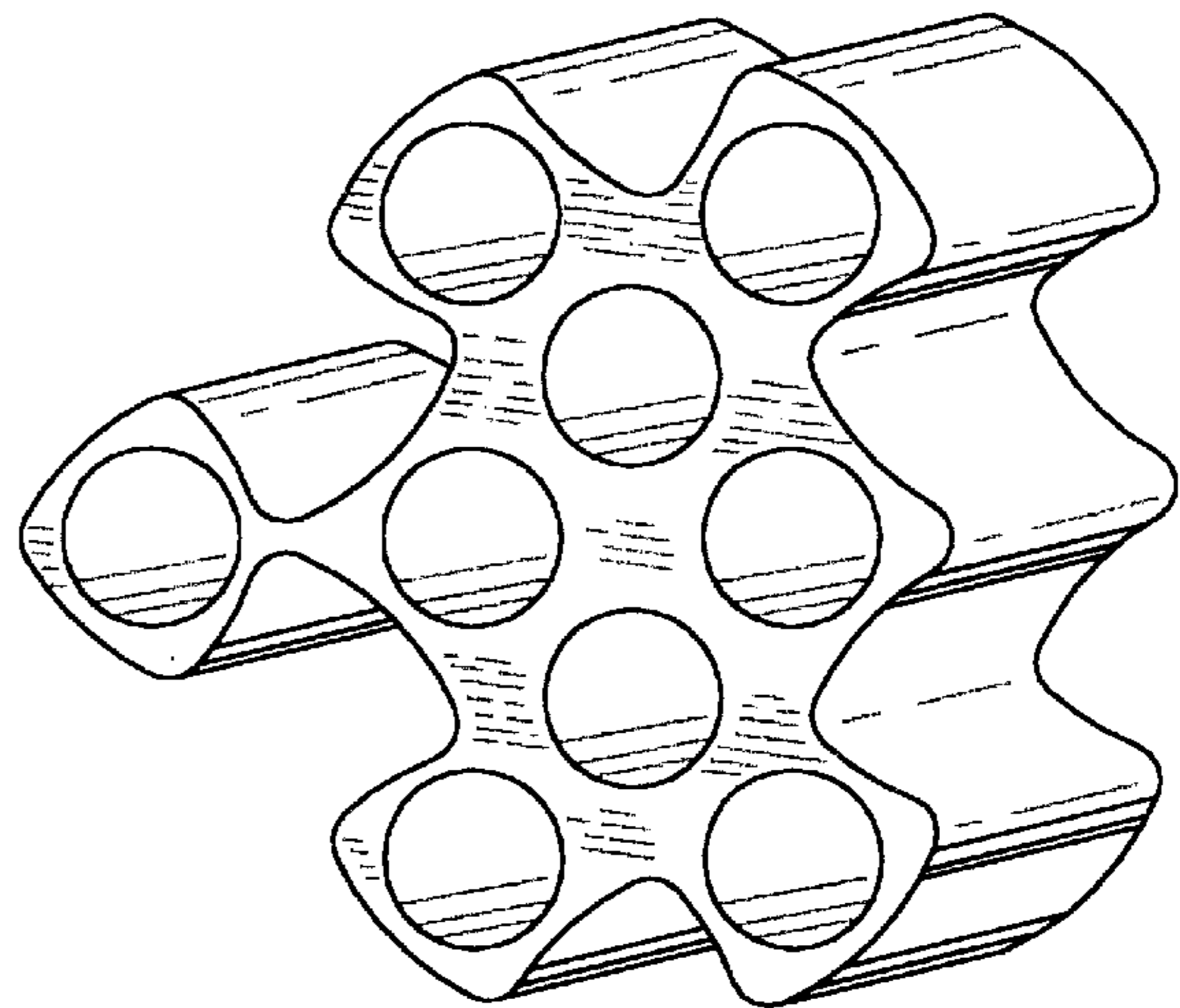


Fig.2

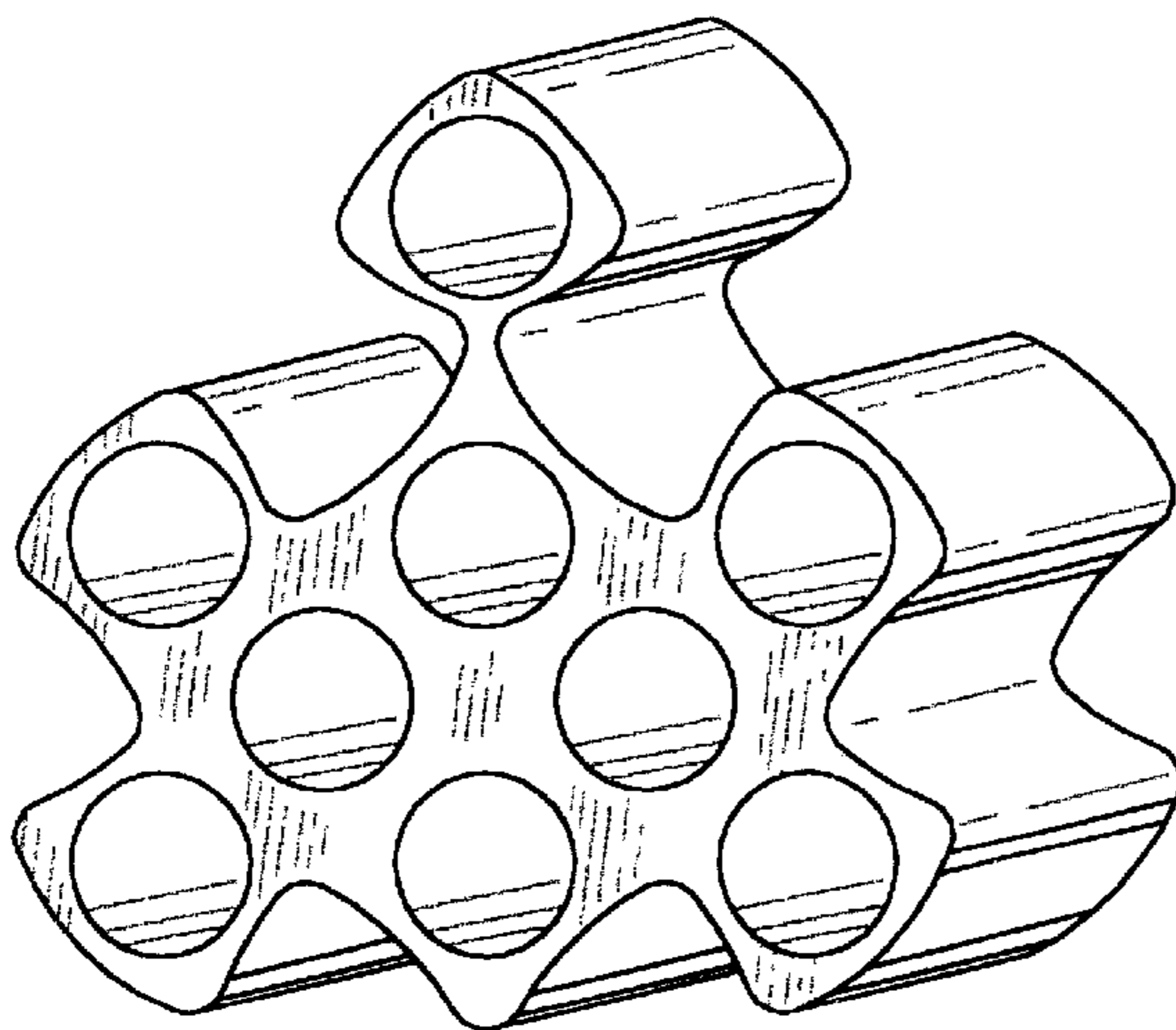


Fig.3

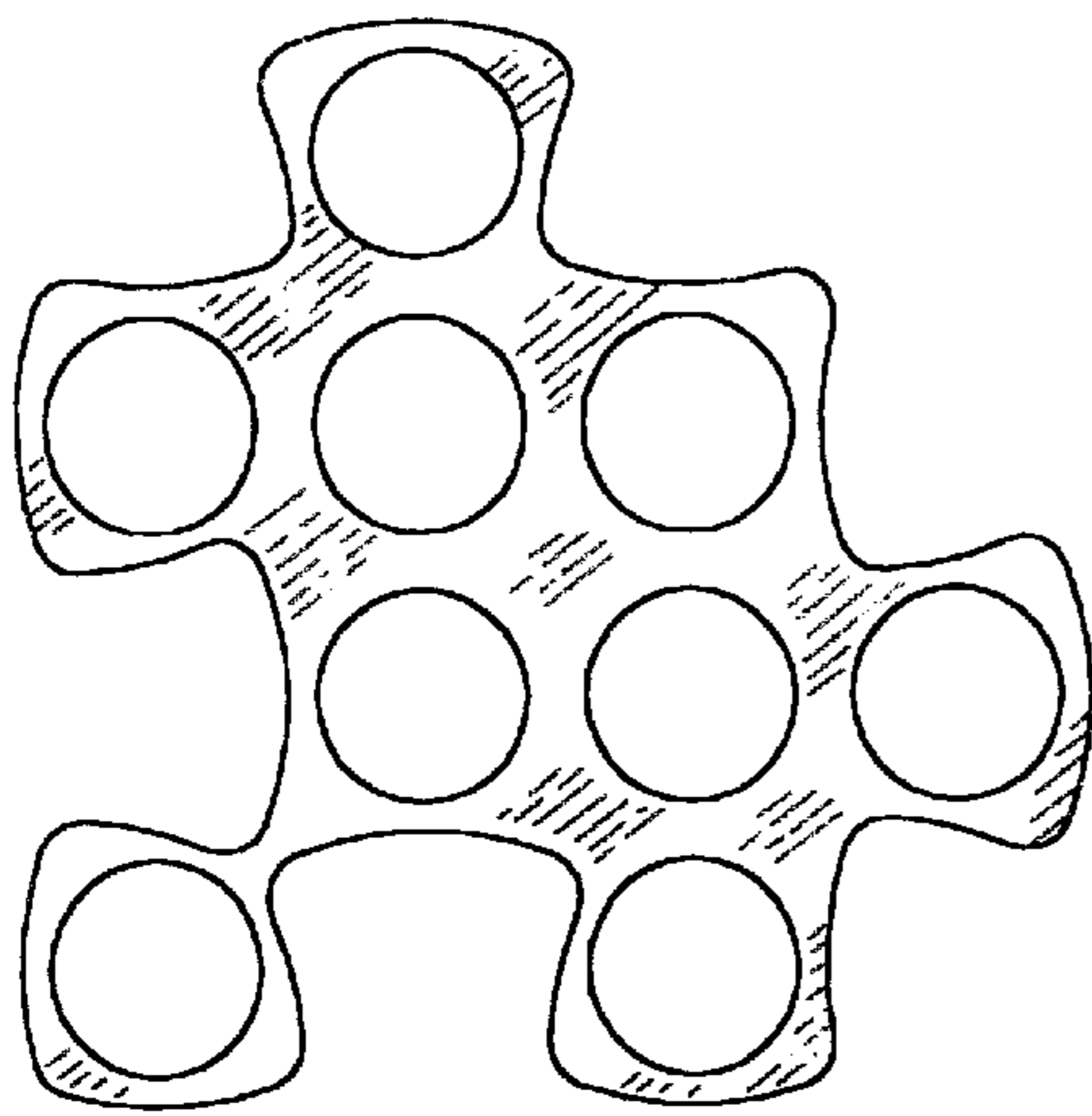


Fig.4

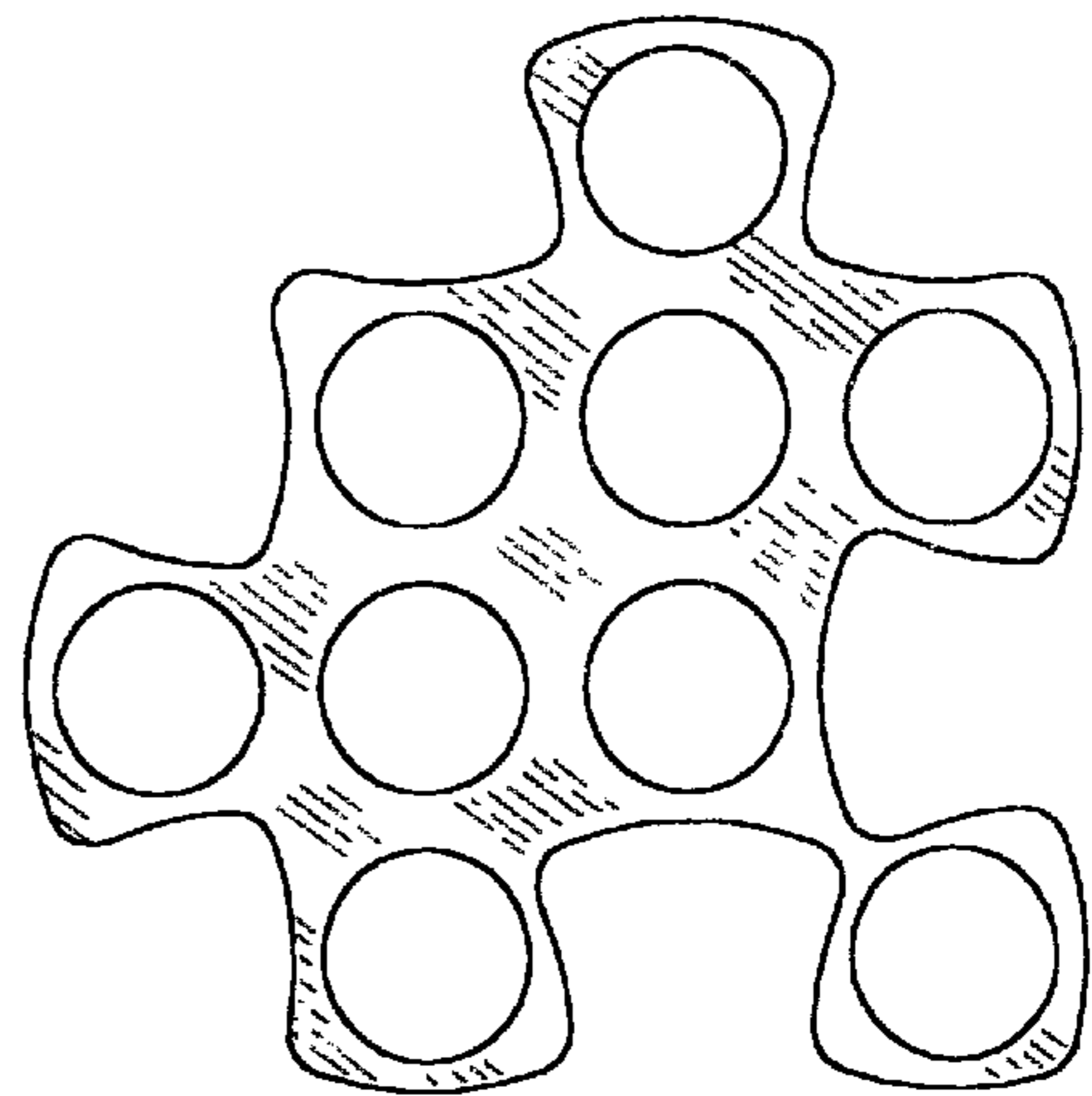


Fig.5

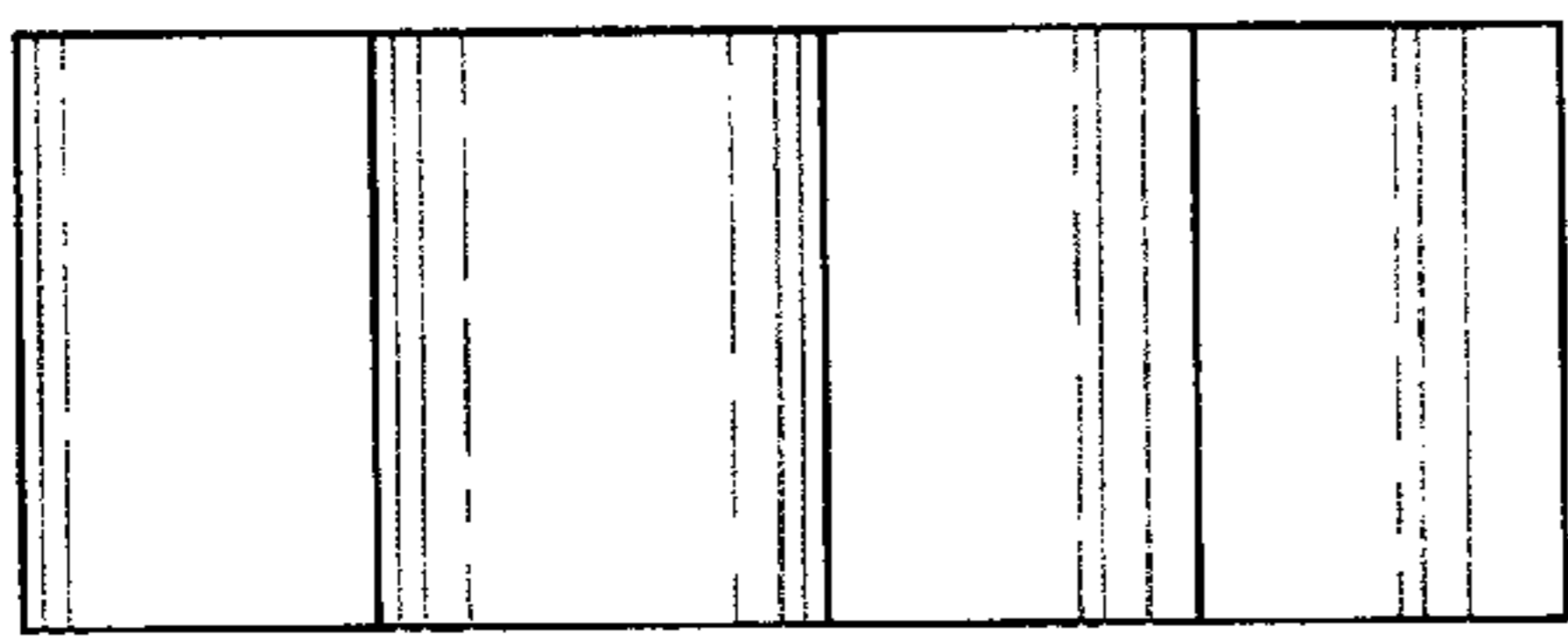


Fig.6

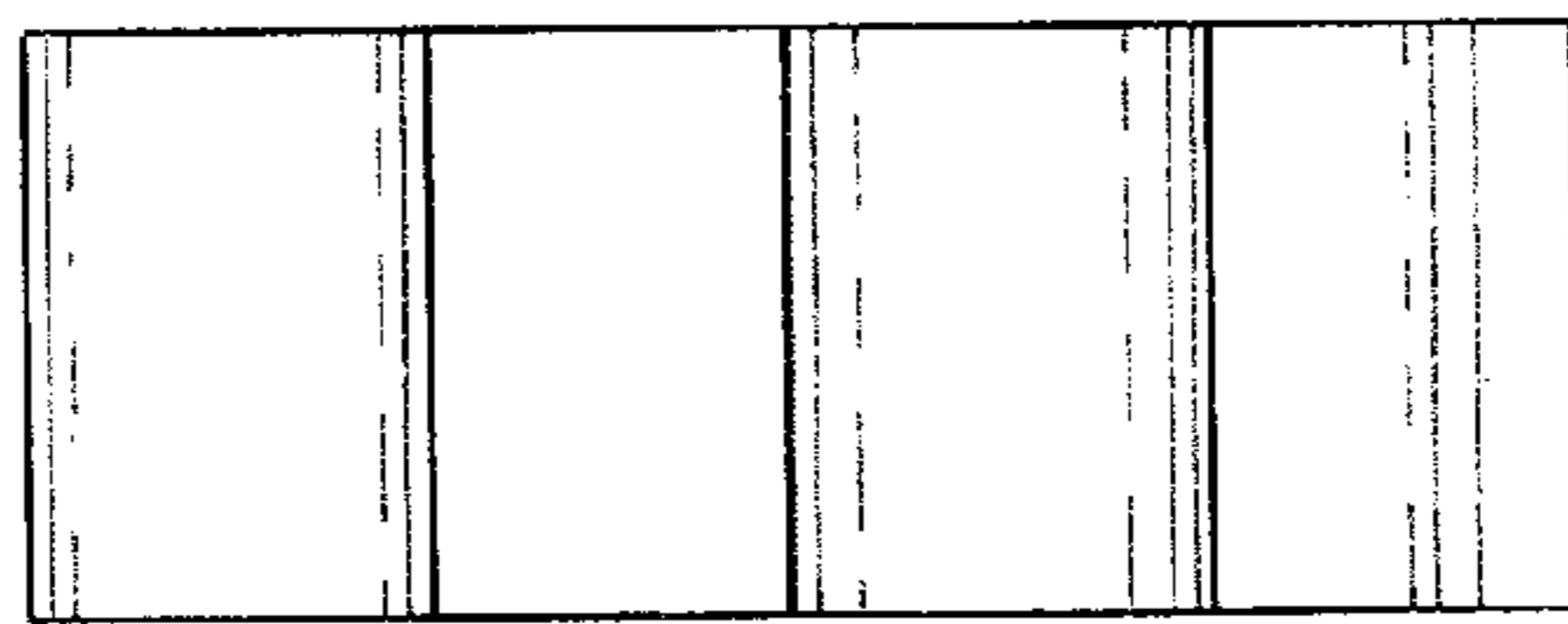


Fig.7

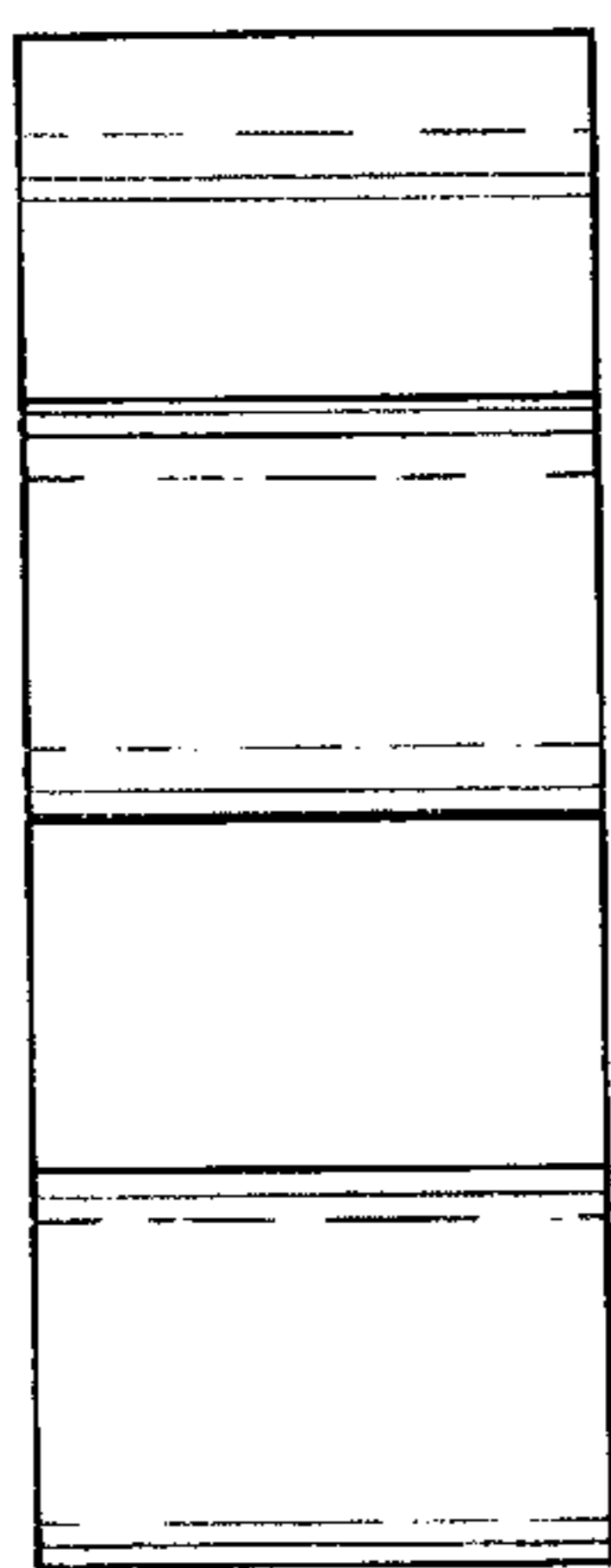


Fig.8

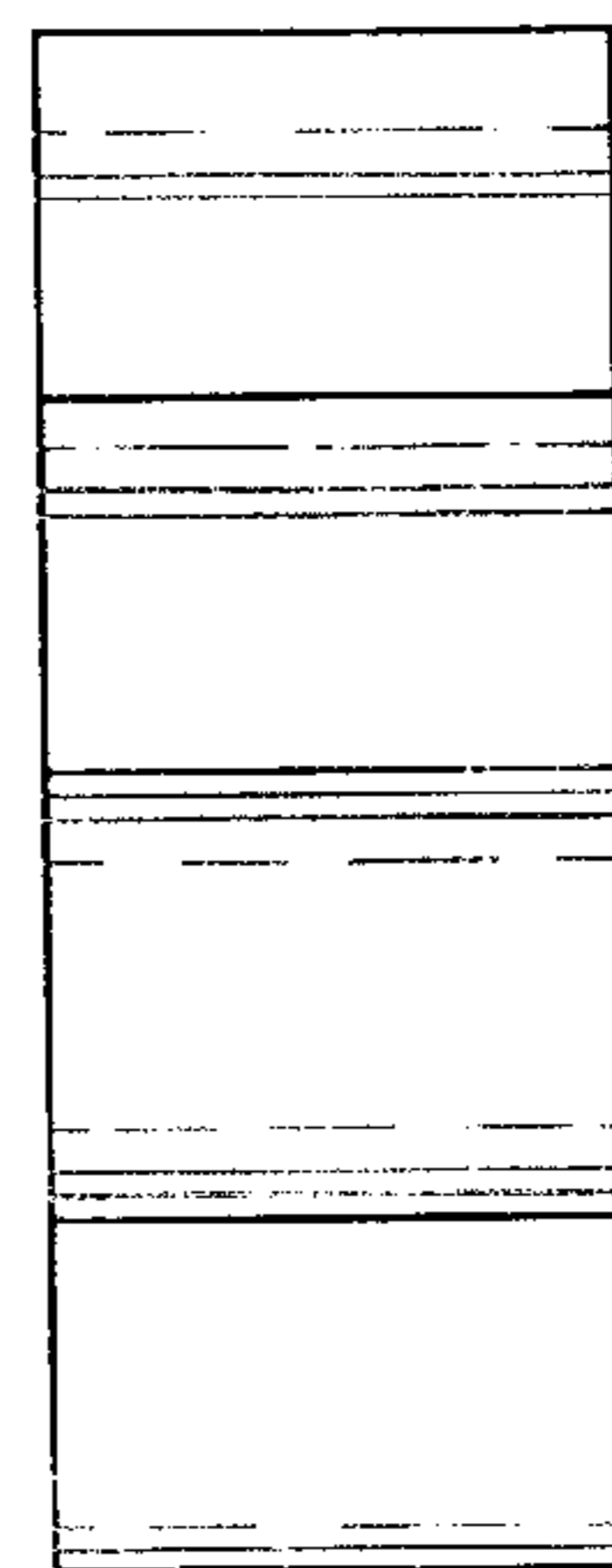


Fig.9