



US00D488961S

(12) **United States Design Patent**  
**Moran**

(10) **Patent No.:** **US D488,961 S**

(45) **Date of Patent:** **\*\* Apr. 27, 2004**

(54) **CYLINDRICAL VACUUM CONTAINER**

(75) **Inventor:** **Jorge E. Moran, Nashville, TN (US)**

(73) **Assignee:** **Megatrade International, Inc.,  
Nashville, TN (US)**

(\*\*) **Term:** **14 Years**

(21) **Appl. No.:** **29/180,012**

(22) **Filed:** **Apr. 18, 2003**

(51) **LOC (7) Cl. .... 07-01**

(52) **U.S. Cl. .... D7/608**

(58) **Field of Search** ..... D7/312-322, 605-608,  
D7/642-645, 653; D9/500, 503, 504, 538;  
62/457.1, 457.7, 371, 372; 215/6, 12.1,  
12.2, 13.1, 396, 398; 220/592.16, 592.17,  
592.22, 592.23, 592.27, 592.2; 206/216-218,  
223, 541-550; 30/322, 323

(56) **References Cited**

**U.S. PATENT DOCUMENTS**

D274,209 S \* 6/1984 Kikuchi ..... D7/608  
5,329,778 A \* 7/1994 Padamsee ..... 62/457.2

5,417,327 A \* 5/1995 Saumure ..... 215/13.1  
D417,127 S \* 11/1999 Steadward et al. .... D7/608  
D432,367 S \* 10/2000 Segura ..... D7/608

\* cited by examiner

*Primary Examiner*—Terry A. Wallace

(74) *Attorney, Agent, or Firm*—Hunton & Williams LLP

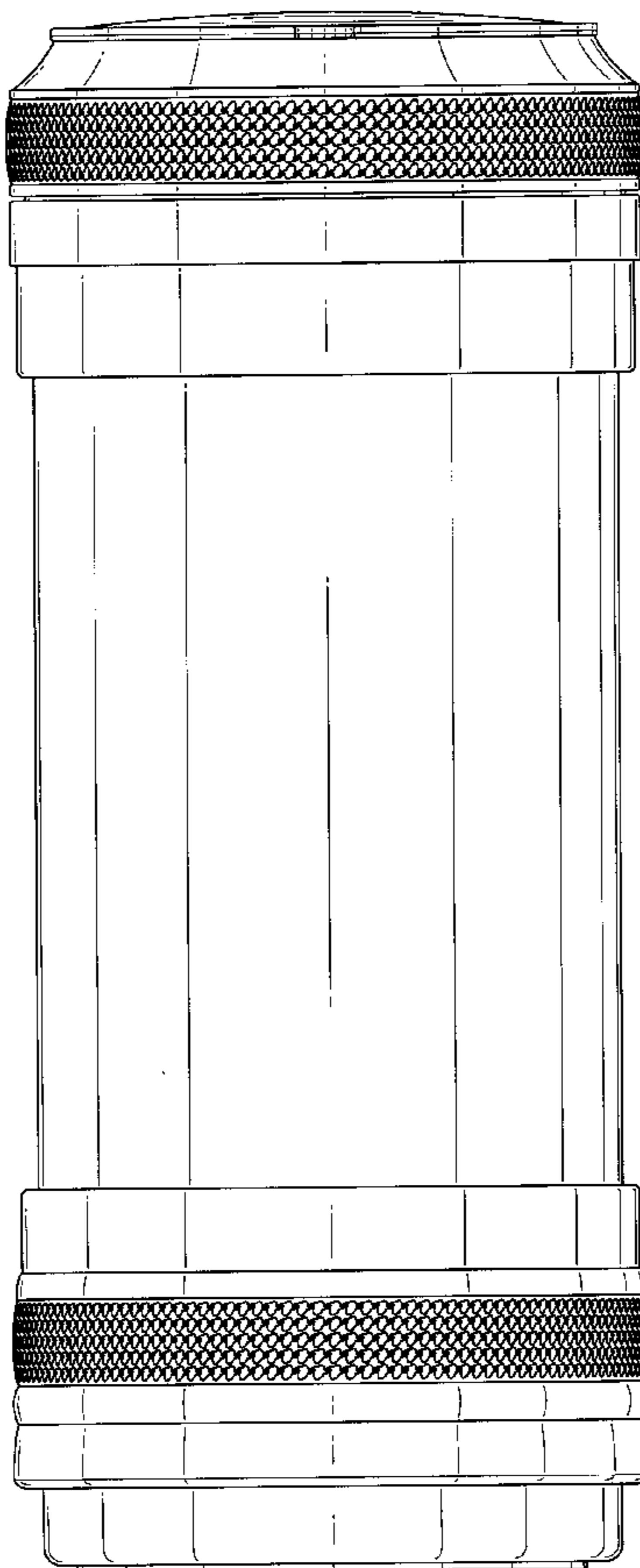
(57) **CLAIM**

The ornamental design for a cylindrical vacuum container,  
as shown and described.

**DESCRIPTION**

FIG. 1. is a first side elevational view of the cylindrical  
vacuum container showing my new design;  
FIG. 2. is a second side elevational view thereof;  
FIG. 3. is a third side elevational view thereof;  
FIG. 4. is an exploded side elevational view thereof;  
FIG. 5. is a top plan view thereof;  
FIG. 6. is a top plan view thereof with the lid removed;  
FIG. 7. is a bottom plan view thereof;  
FIG. 8. is a perspective view of the base thereof; and,  
FIG. 9 is a perspective view of the utensil thereof, shown  
separately for clarity of illustration.

**1 Claim, 8 Drawing Sheets**



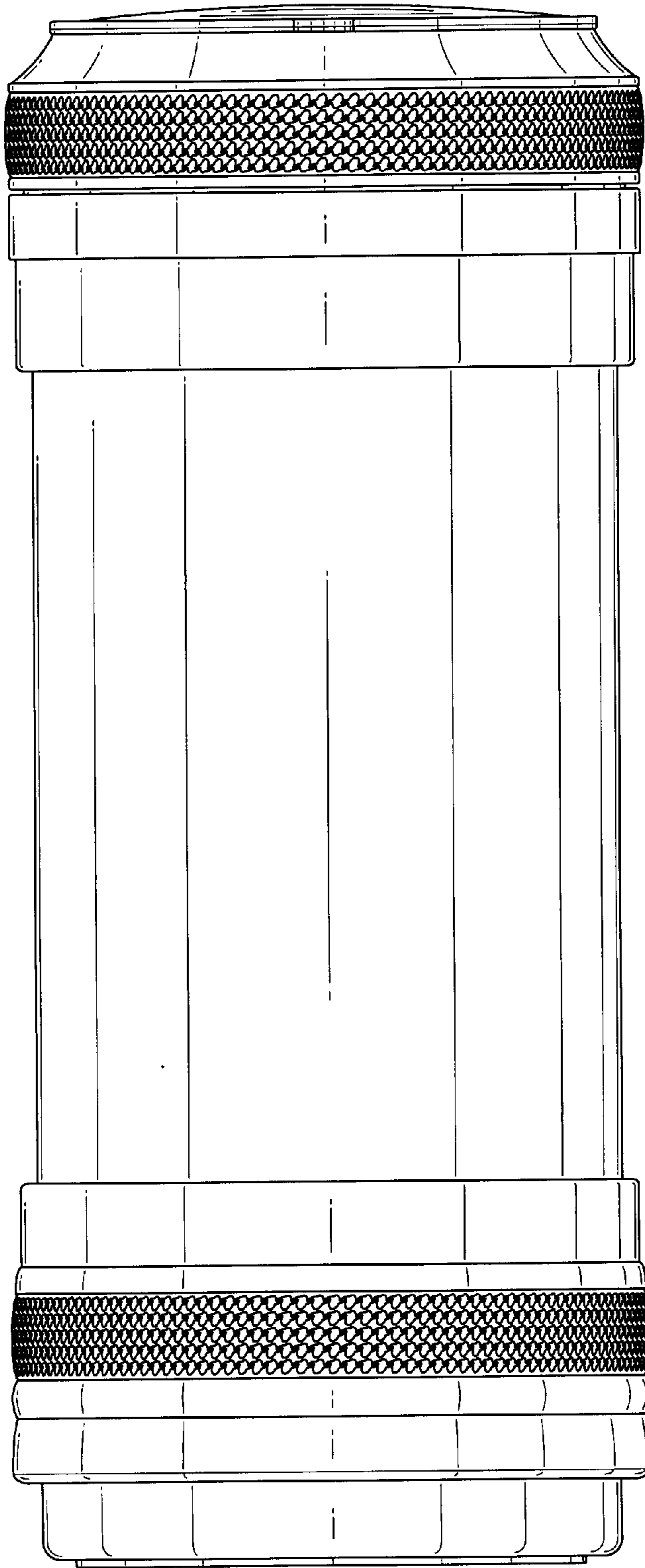


FIG. 1

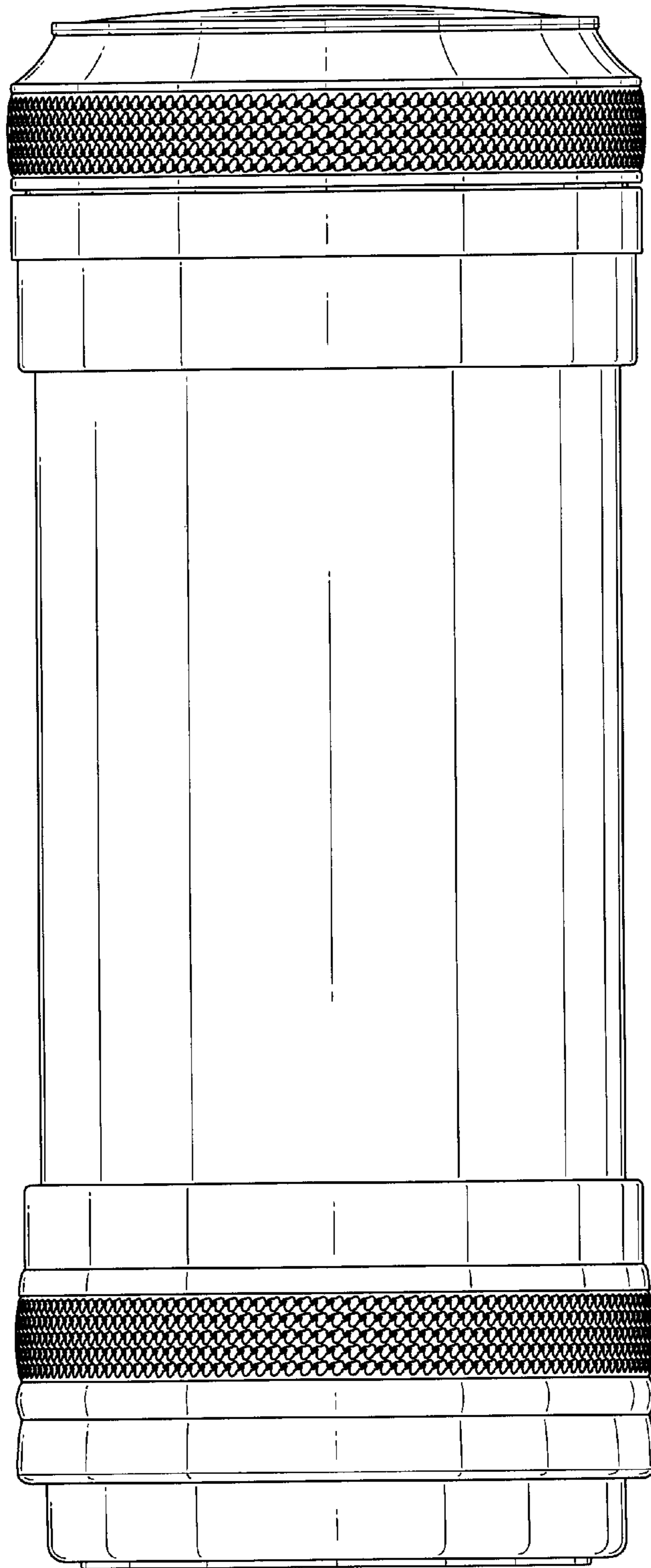


FIG. 2

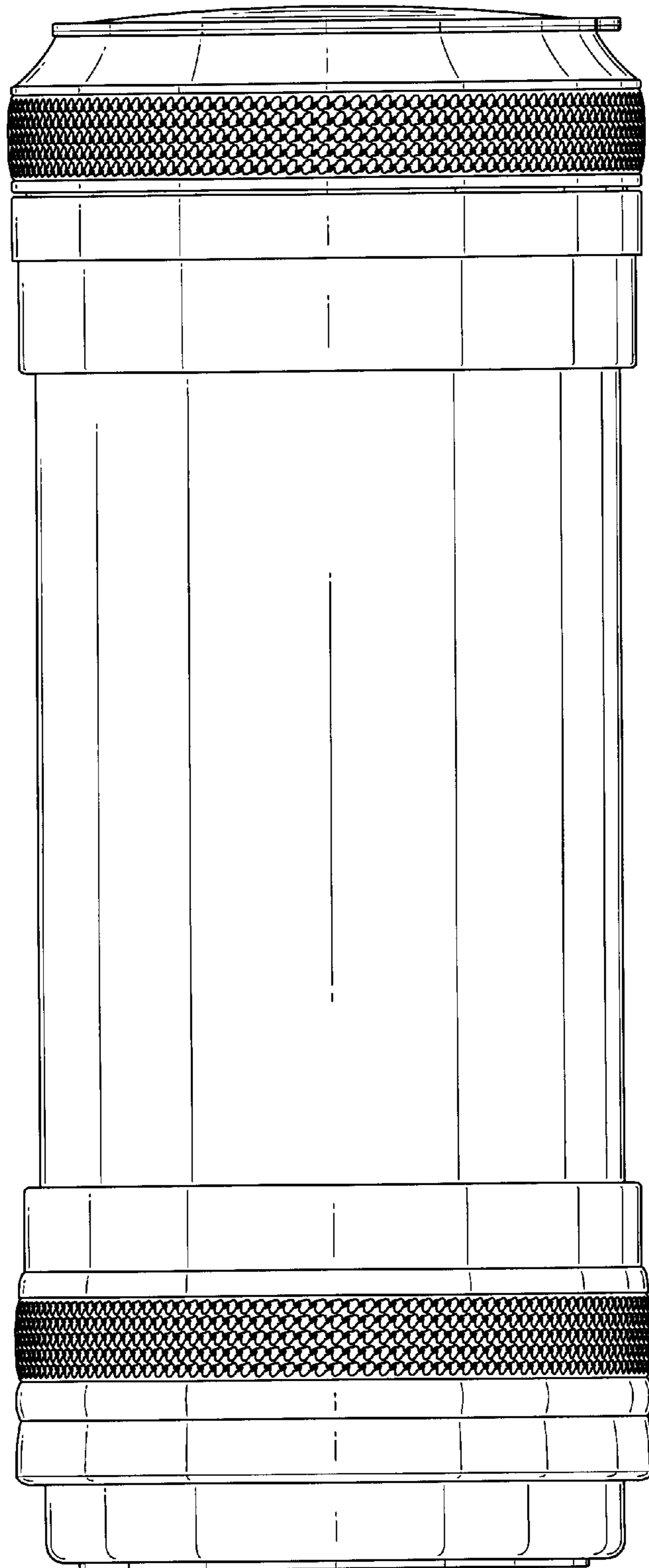


FIG. 3

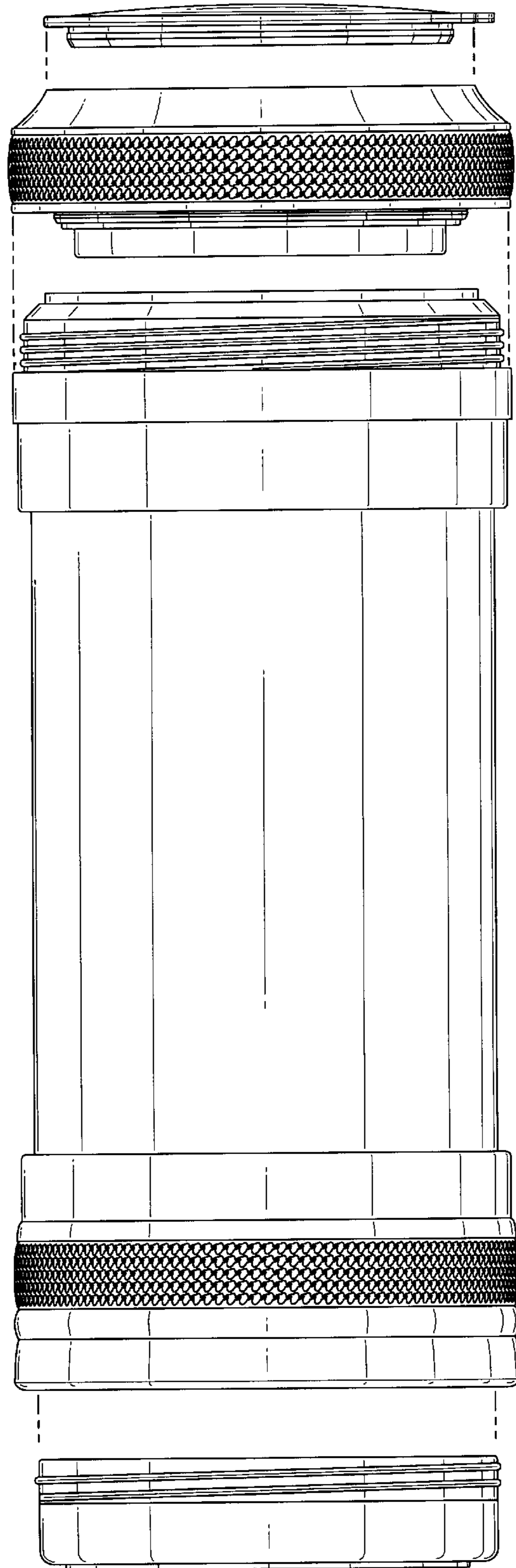


FIG. 4

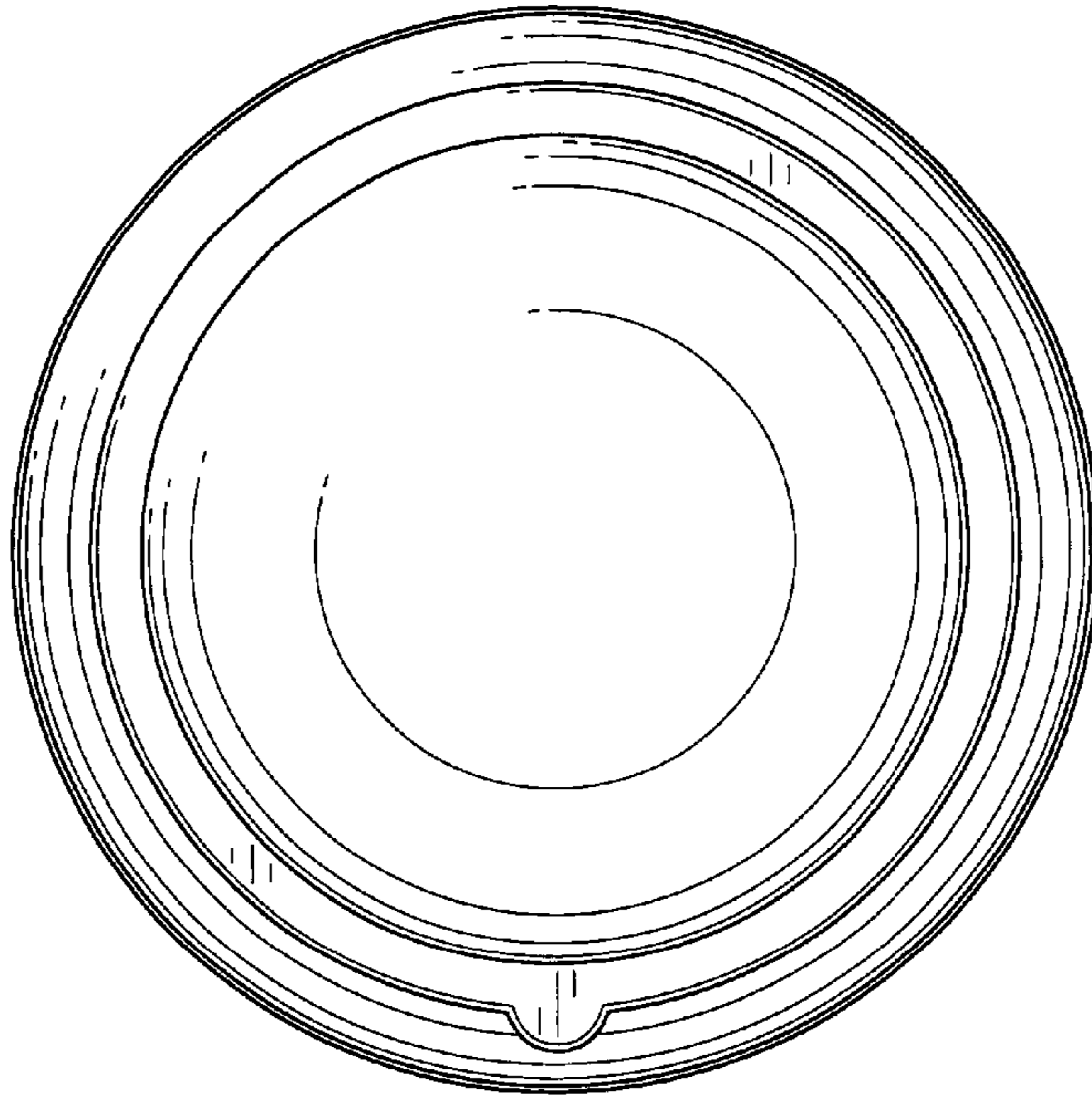


FIG. 5

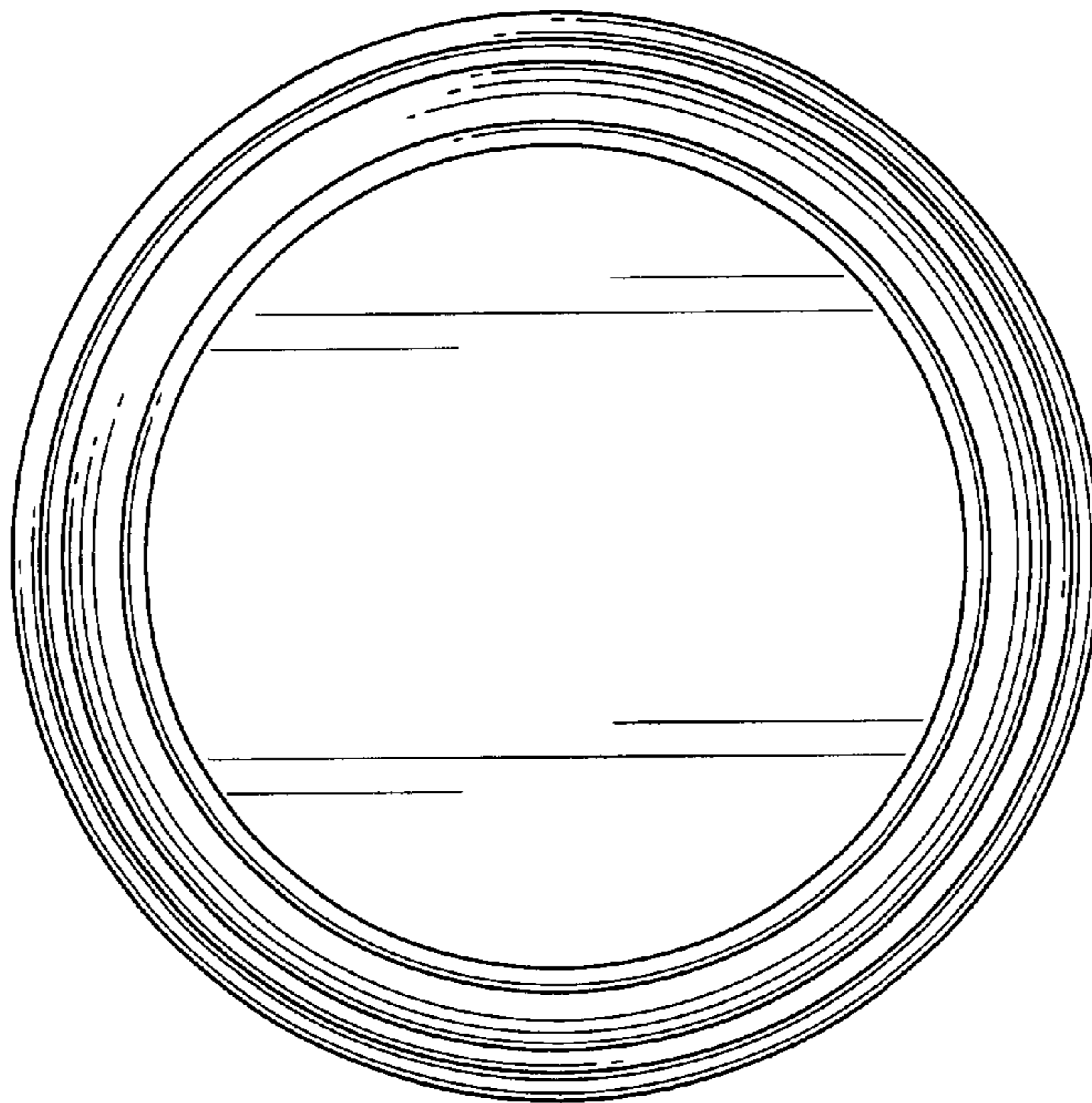


FIG. 6

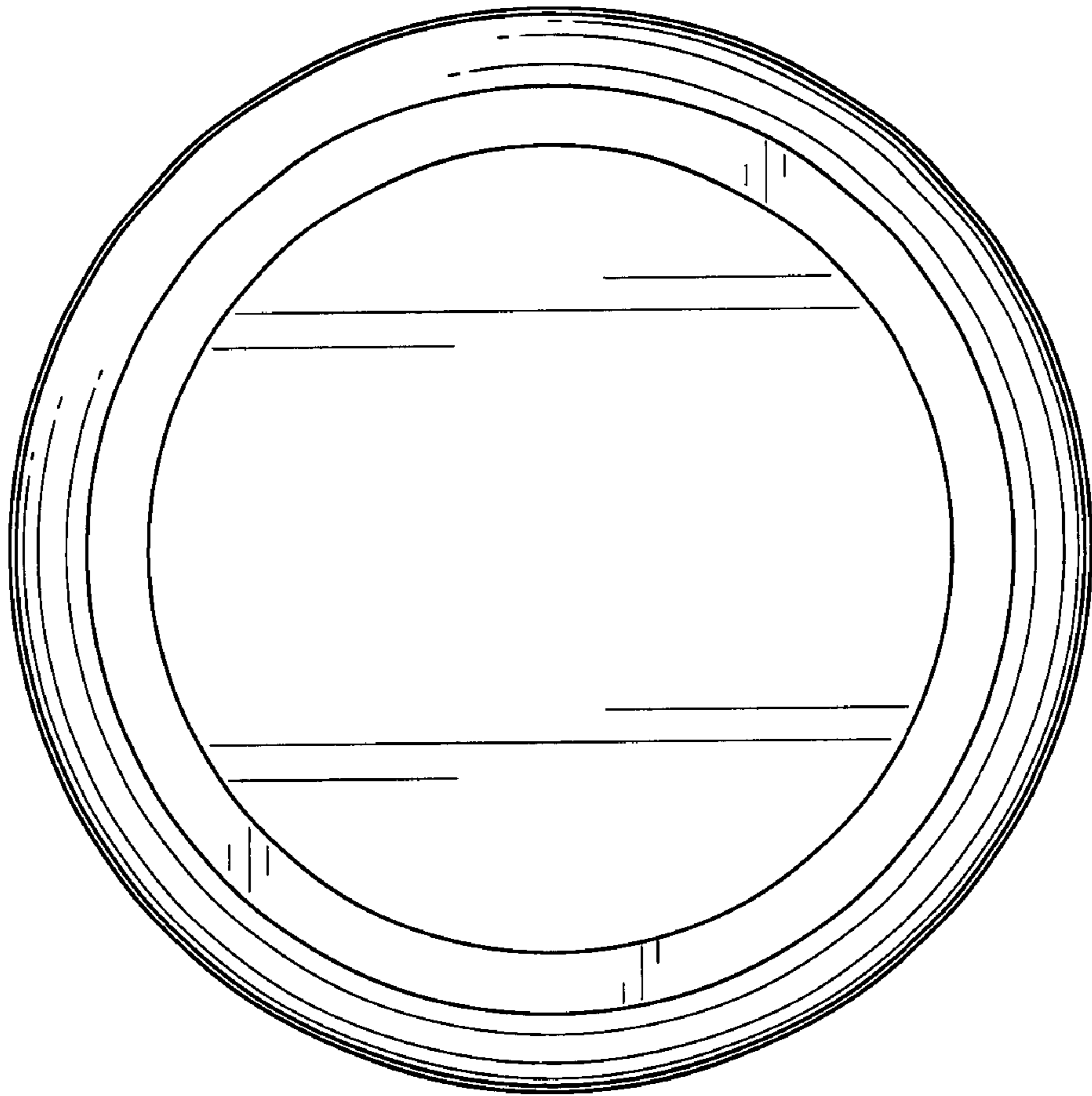


FIG. 7

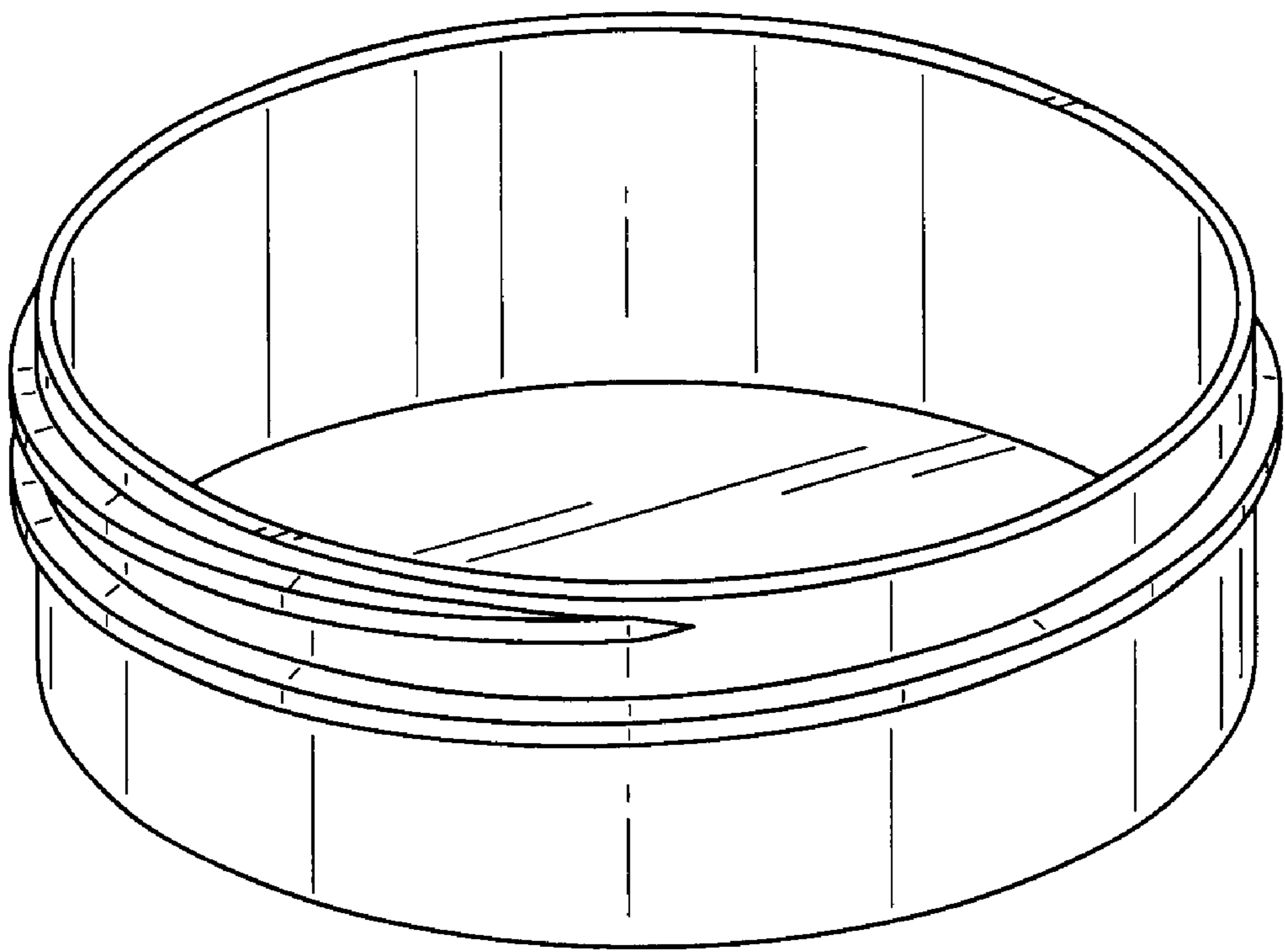


FIG. 8



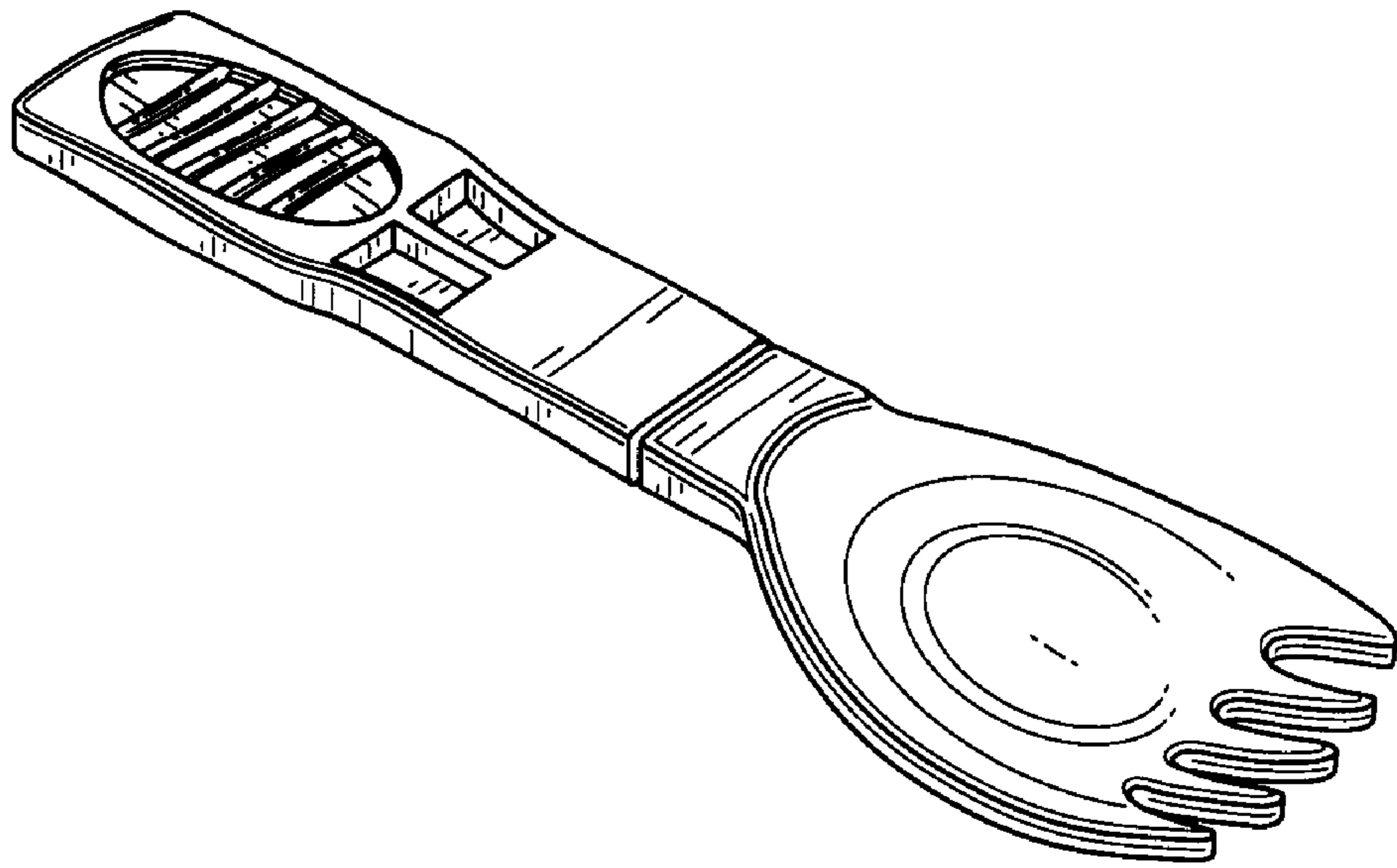


FIG. 9