



US00D488959S

(12) **United States Design Patent**
Tyrer

(10) **Patent No.:** **US D488,959 S**

(45) **Date of Patent:** **** Apr. 27, 2004**

- (54) **EXTERNAL APPEARANCE OF A GOLF CART COOLER**
- (76) Inventor: **Stephen Edward Tyrer**, 147 Taft Crescent, Centerport, NY (US) 11721
- (**) Term: **14 Years**
- (21) Appl. No.: **29/181,080**
- (22) Filed: **May 5, 2003**

- 4,989,767 A 2/1991 Buschbom
- 5,181,555 A 1/1993 Chruniak
- 5,341,928 A 8/1994 Jones et al.
- 5,354,131 A 10/1994 Mogil
- D371,051 S * 6/1996 Melk D7/607
- D387,628 S * 12/1997 Keene D7/607
- 5,758,513 A 6/1998 Smith
- 5,820,268 A 10/1998 Becker et al.
- 5,848,734 A 12/1998 Melk
- 6,067,813 A 5/2000 Smith
- 6,394,325 B1 5/2002 Taylor

Related U.S. Application Data

- (63) Continuation of application No. 09/892,598, filed on Jun. 27, 2001, now Pat. No. 6,601,745.
- (51) **LOC (7) Cl.** **07-01**
- (52) **U.S. Cl.** **D7/605; D3/301**
- (58) **Field of Search** **D7/605-607; D3/289, D3/301; 62/371, 372, 457.1-457.7; 224/274, 318, 414, 493, 926; 296/37.1; 383/110; D12/16**

OTHER PUBLICATIONS

U.S. patent application Ser. No. 09/892,598, Tyrer, filed Dec. 2002.

* cited by examiner

Primary Examiner—Terry A. Wallace

(74) *Attorney, Agent, or Firm*—Michael T. York

(57) **CLAIM**

The ornamental design for an external appearance of a golf cart cooler, as shown and described.

(56) **References Cited**

U.S. PATENT DOCUMENTS

- 3,032,121 A 4/1962 Chase
- 3,955,730 A 5/1976 Montgomer
- 4,056,219 A 11/1977 Hine
- 4,066,196 A 1/1978 Jackson et al.
- D261,572 S * 11/1981 Pelavin et al. D3/289
- 4,440,332 A 4/1984 Kullen
- 4,537,313 A 8/1985 Workman
- 4,638,933 A 1/1987 Boufford
- D293,851 S 1/1988 Cannon et al.
- 4,871,597 A * 10/1989 Hobson 220/903
- 4,892,226 A 1/1990 Abtahi
- 4,929,094 A 5/1990 Becker

DESCRIPTION

FIG. 1 is a perspective view of the external appearance of a golf cart cooler showing my new design, the broken lines showing the golf cart are for illustrative purposes only and form no part of the claimed design;

FIG. 2 is a rear elevation view thereof;

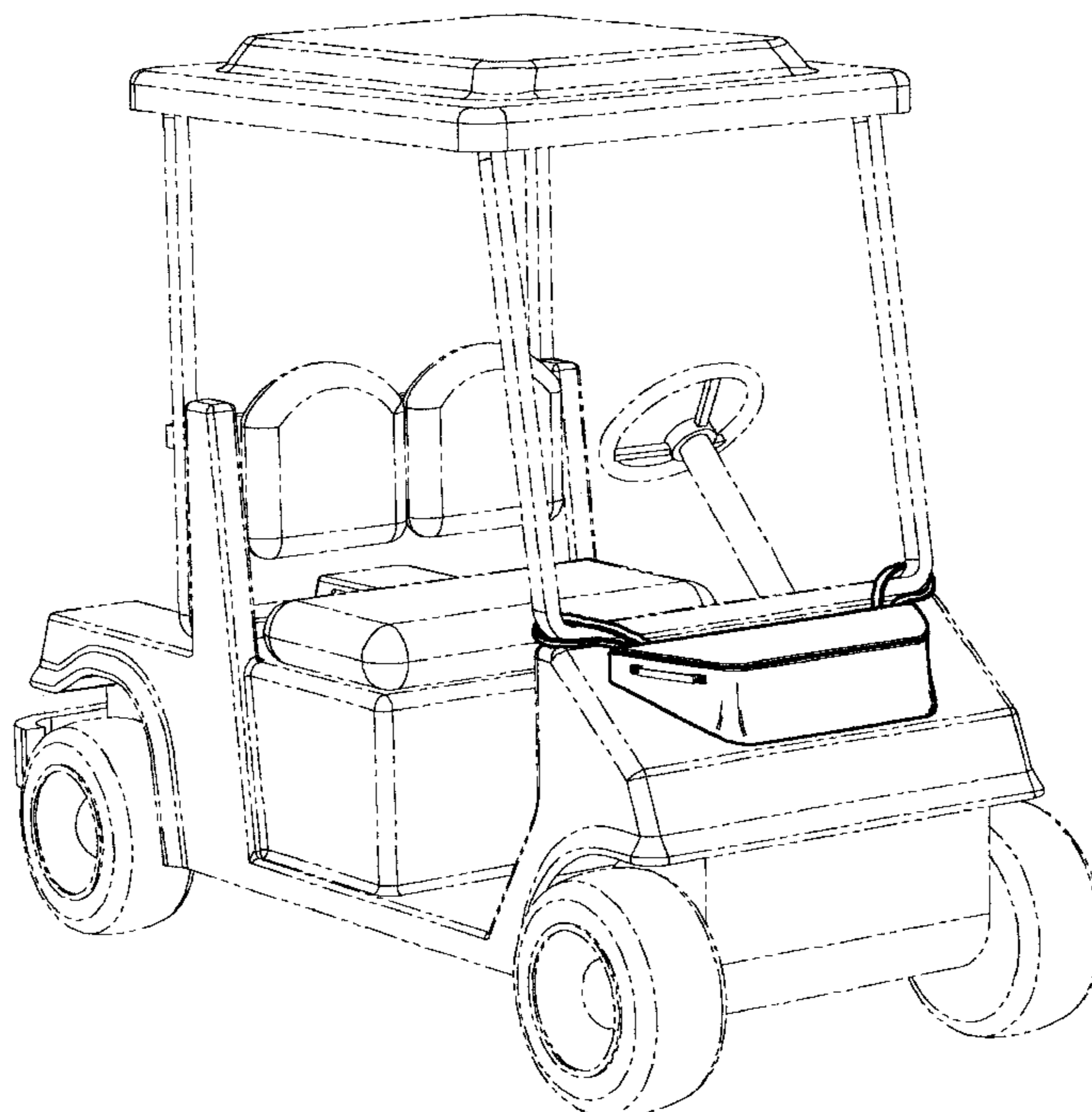
FIG. 3 is a side view thereof, the opposite side being a mirror image;

FIG. 4 is a front elevation view thereof;

FIG. 5 is a top plan view thereof; and,

FIG. 6 is a bottom plan view thereof.

1 Claim, 2 Drawing Sheets



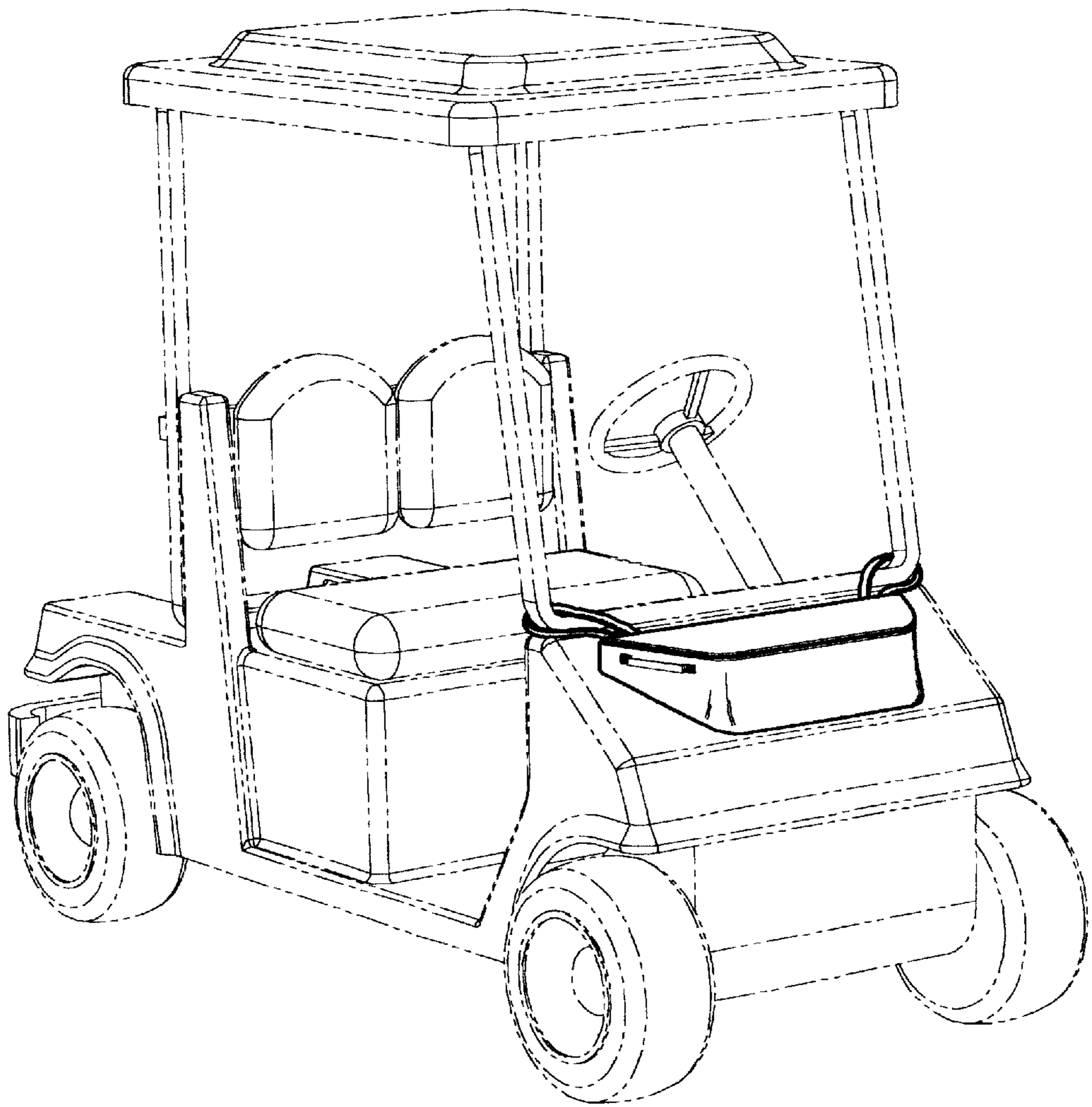


FIG. 1

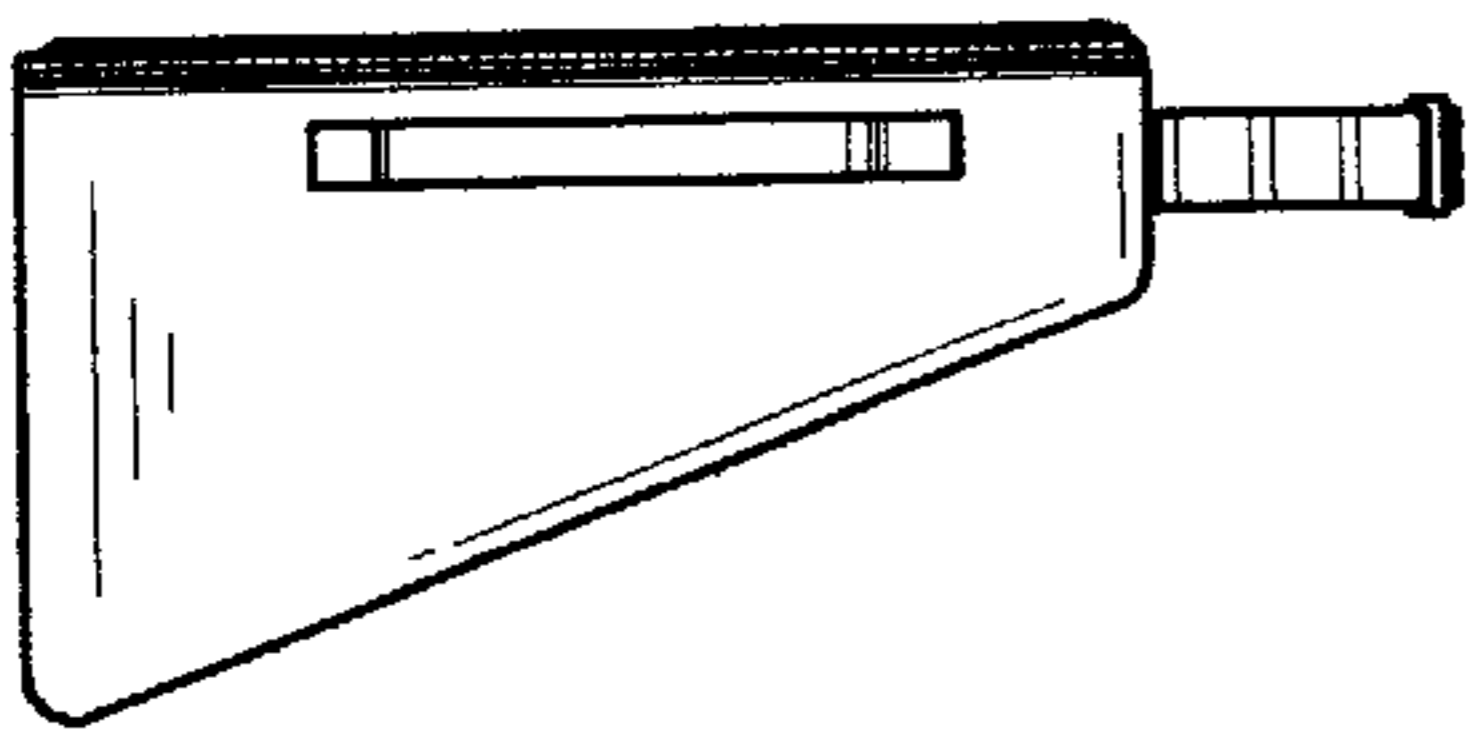


FIG. 3

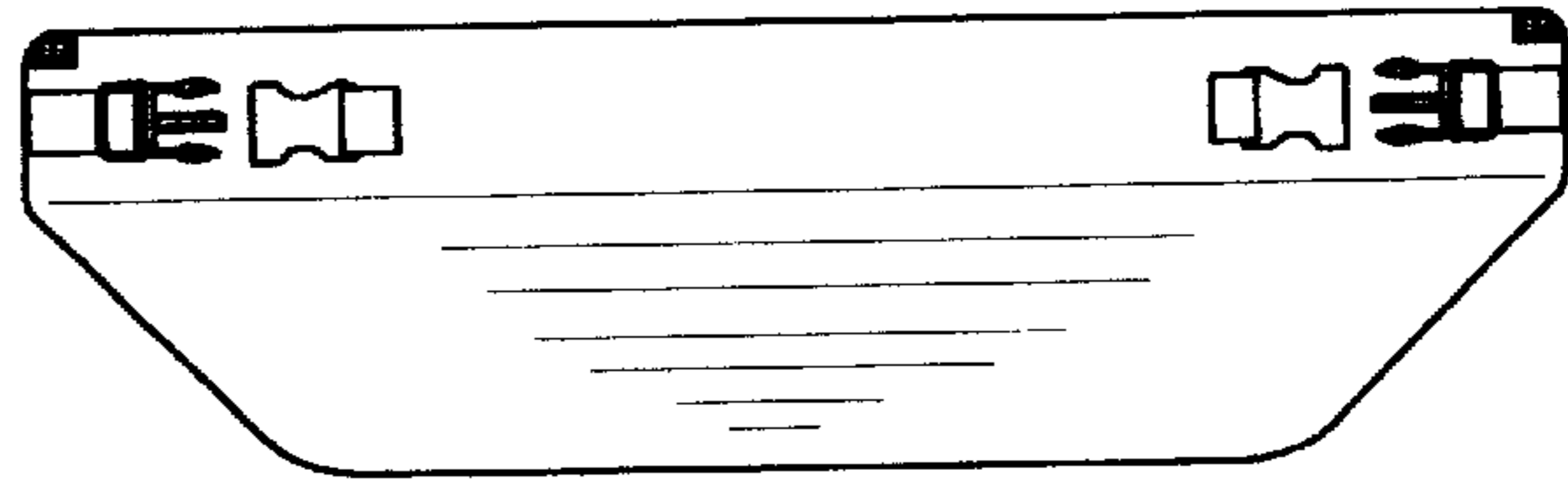


FIG. 2

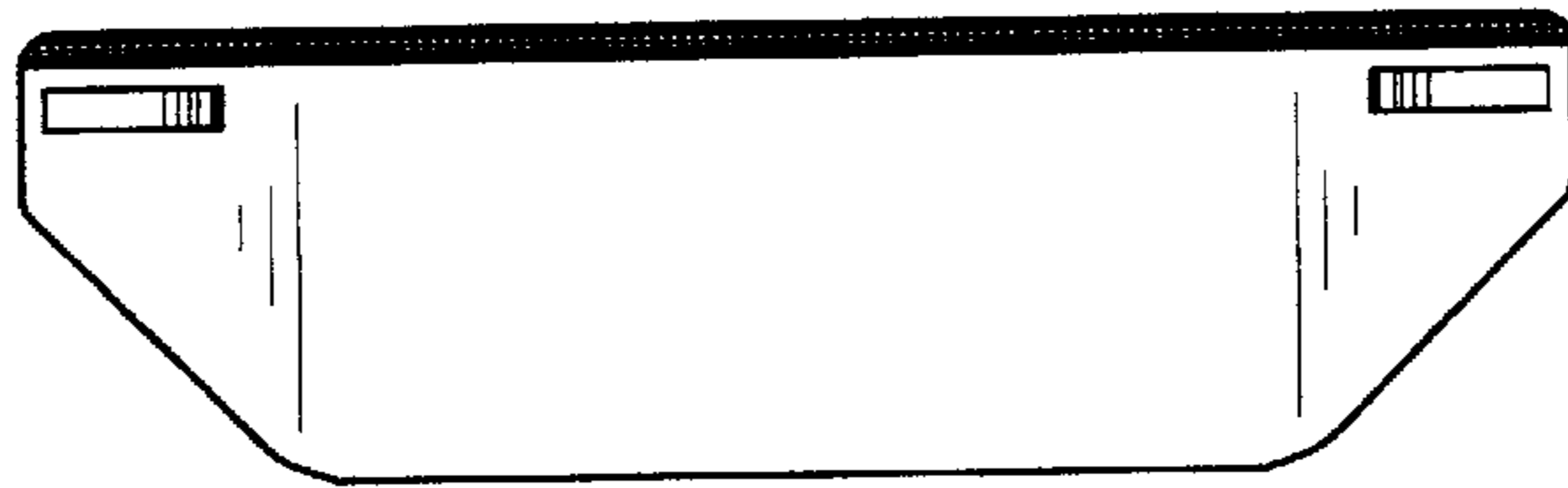


FIG. 4

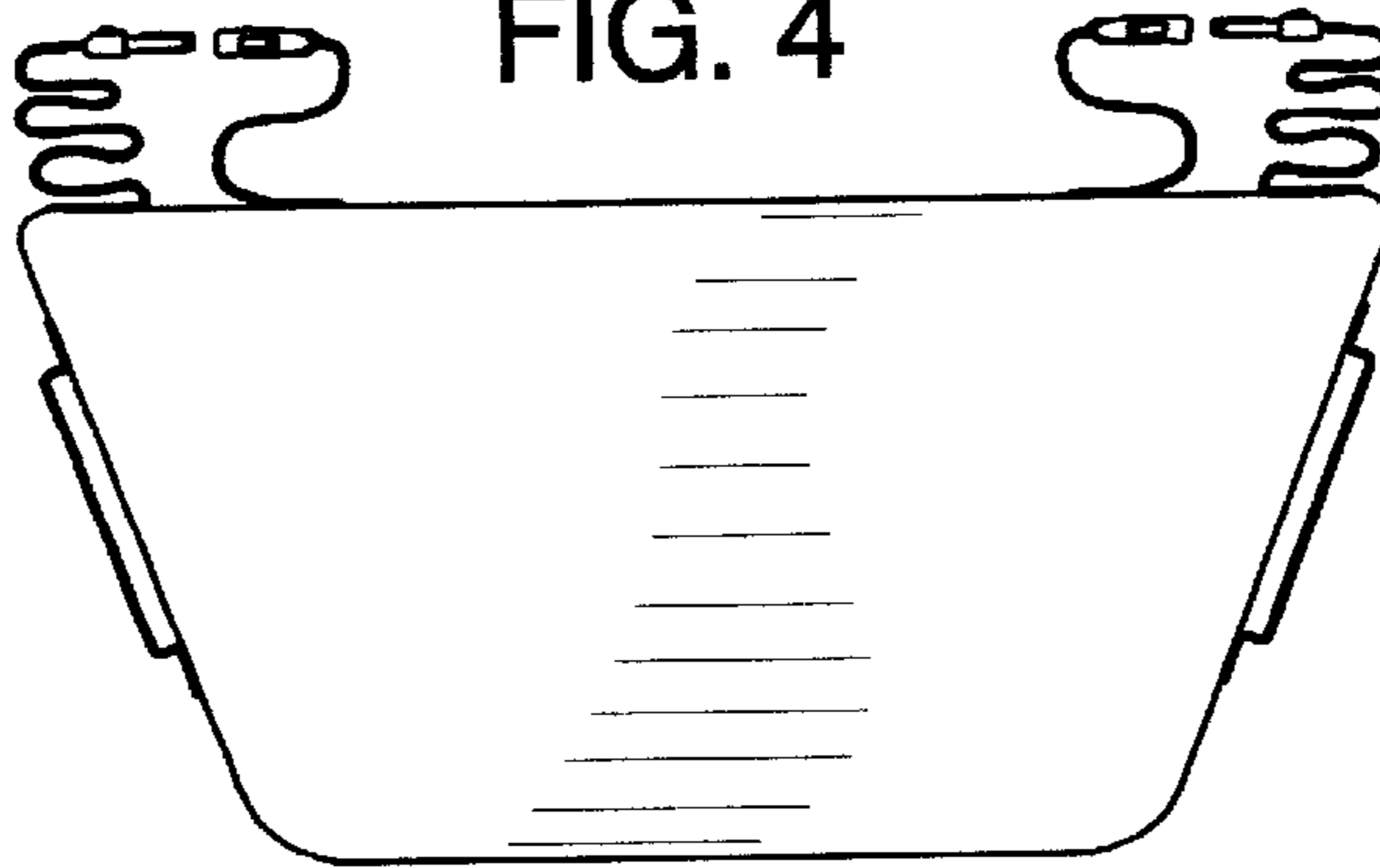


FIG. 5

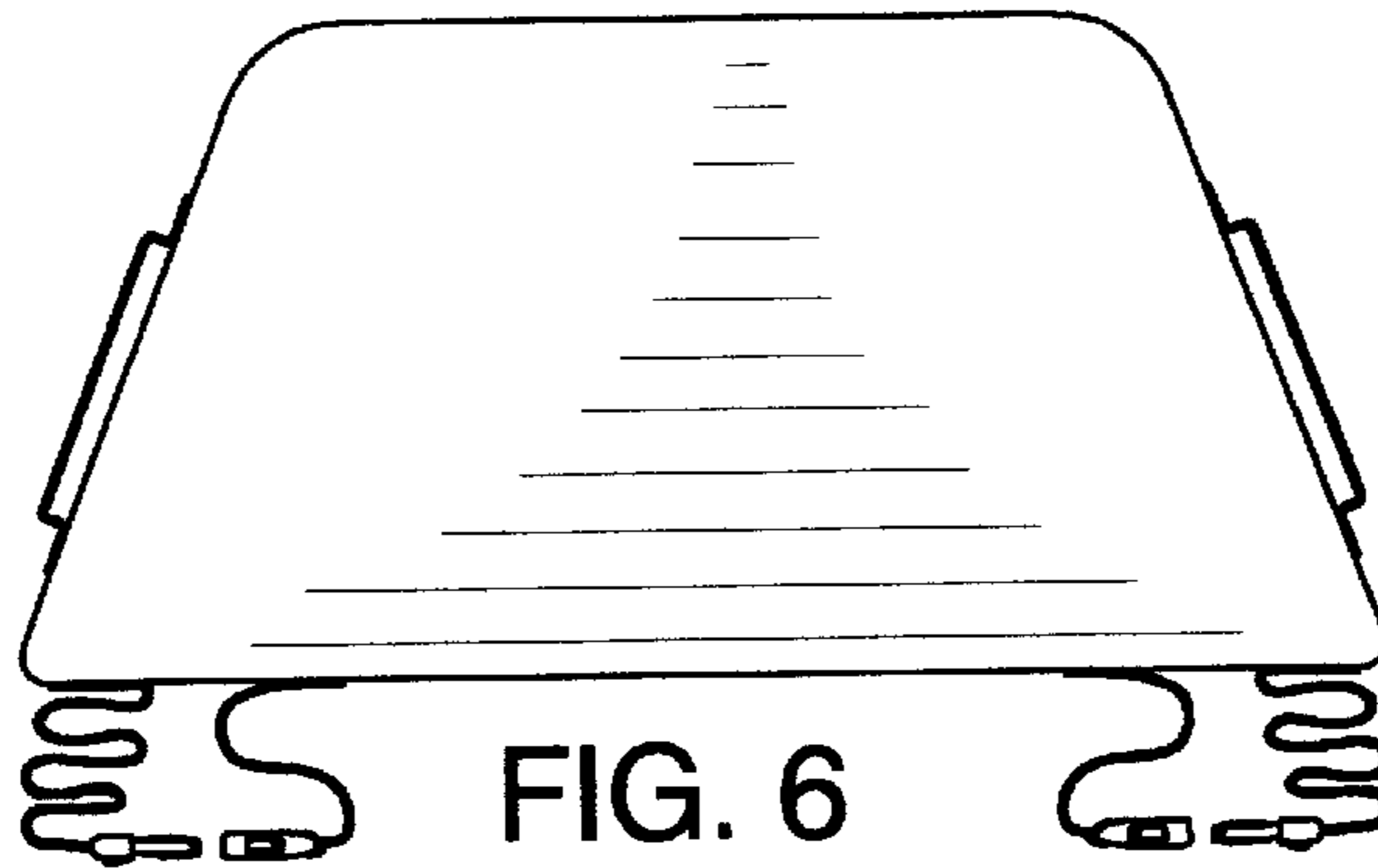


FIG. 6