



US00D488952S

(12) **United States Design Patent**  
**Cubillos**

(10) **Patent No.:** **US D488,952 S**

(45) **Date of Patent:** **\*\* Apr. 27, 2004**

(54) **CUP CAKE PAN**

5,361,687 A \* 11/1994 deVries ..... 99/426

(76) Inventor: **German Cubillos**, 77 Erie St., Dumont,  
NJ (US) 07628

\* cited by examiner

(\*\*) Term: **14 Years**

*Primary Examiner*—Lisa Lichtenstein  
(74) *Attorney, Agent, or Firm*—Richard A. Joel, Esq.

(21) Appl. No.: **29/183,652**

(57) **CLAIM**

(22) Filed: **Jun. 13, 2003**

The ornamental design for a cup cake pan, as shown and described.

(51) **LOC (7) Cl.** ..... **07-02**

(52) **U.S. Cl.** ..... **D7/357**

(58) **Field of Search** ..... D7/357, 354, 323,  
D7/549, 553, 554, 555; 99/324, 325, 339,  
425, 426

**DESCRIPTION**

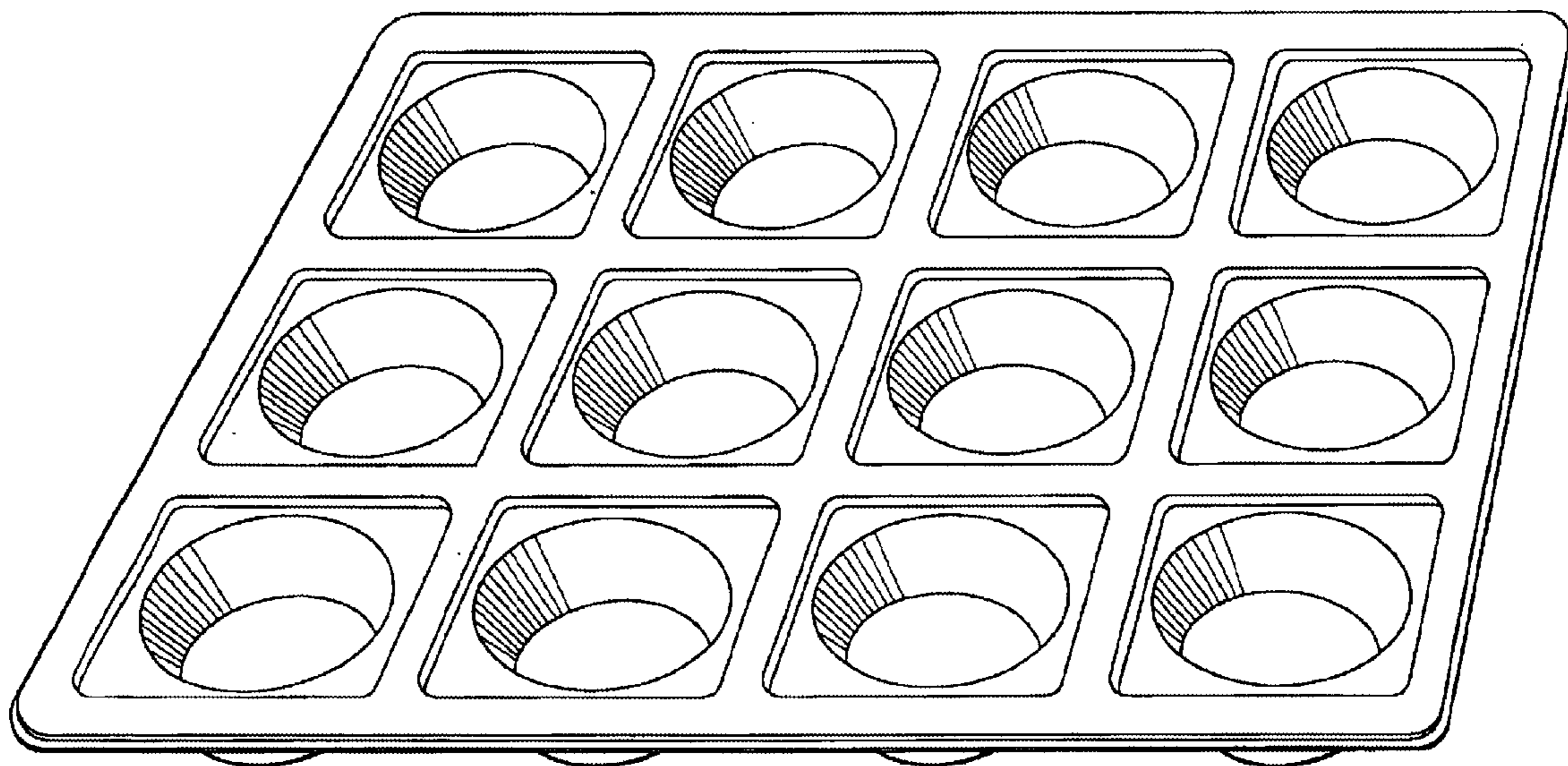
FIG. 1 is a perspective view of a cup cake pan showing the embodiment of the invention;  
FIG. 2 is a bottom view of the cup cake pan of FIG. 1; and,  
FIG. 3 is the side view of the cupcake pan of FIG. 1, the opposite side being a mirror image of that shown.

(56) **References Cited**

**U.S. PATENT DOCUMENTS**

D346,528 S \* 5/1994 Crawford et al. .... D7/357

**1 Claim, 3 Drawing Sheets**



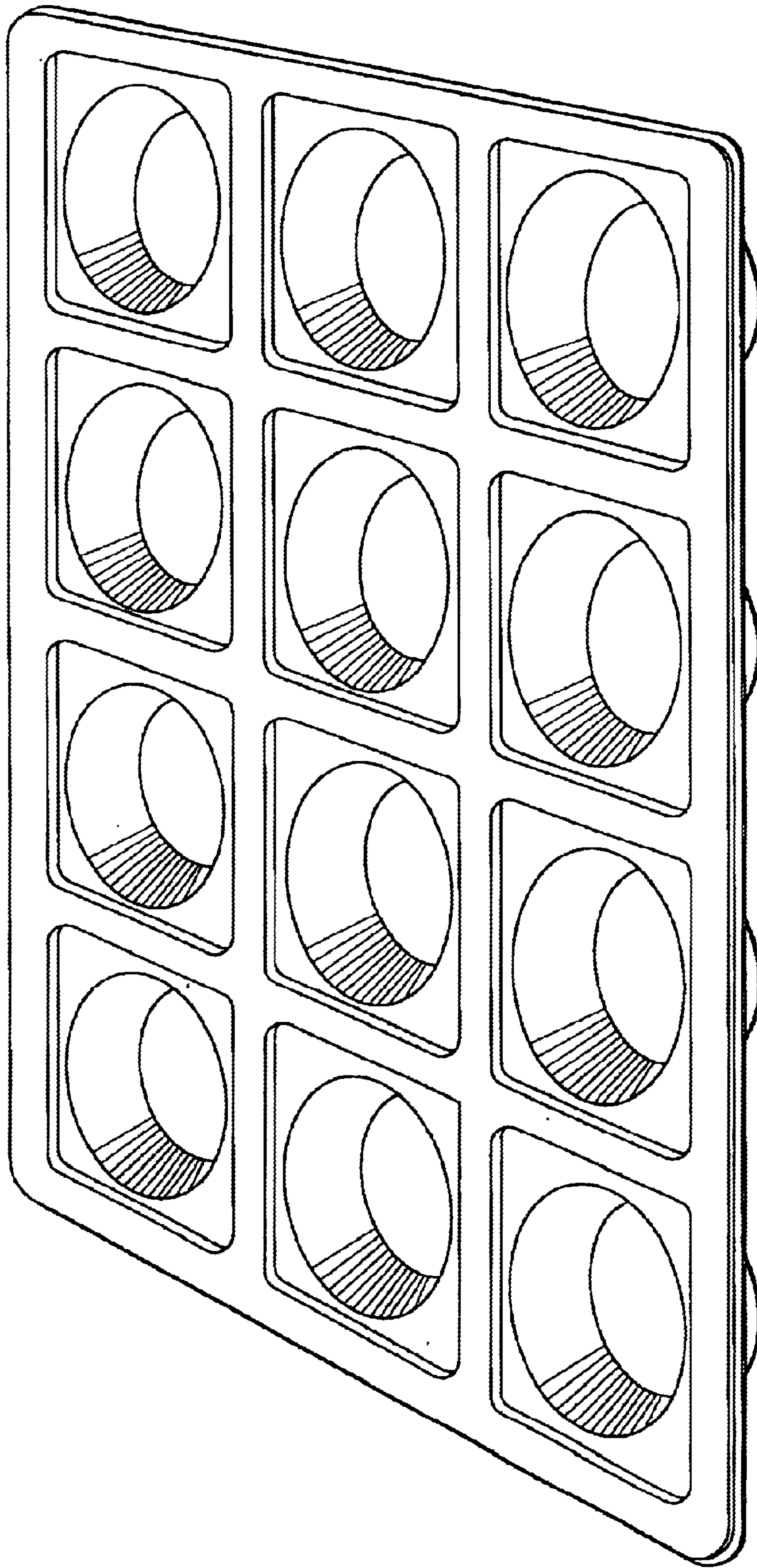


FIG.1



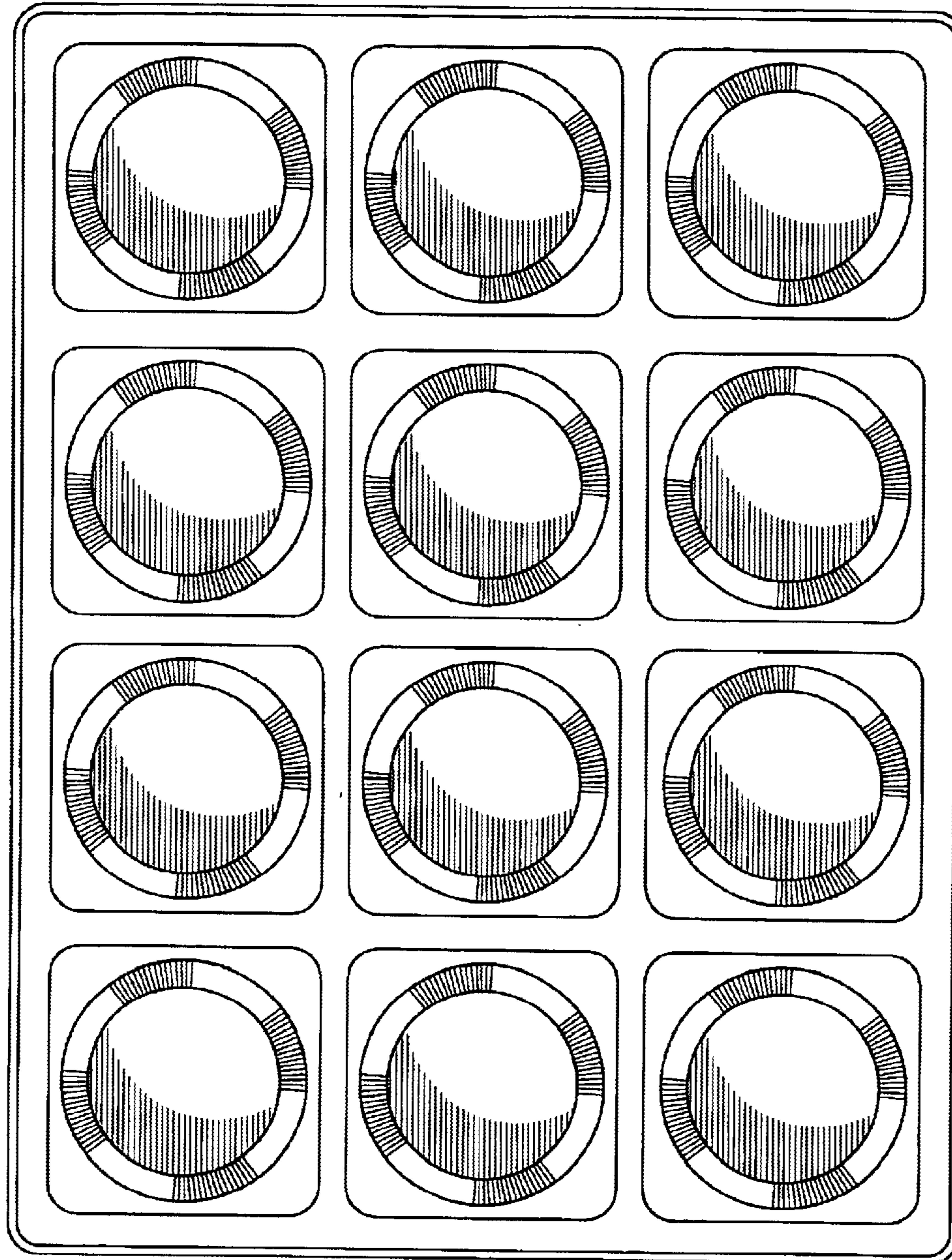


FIG. 2

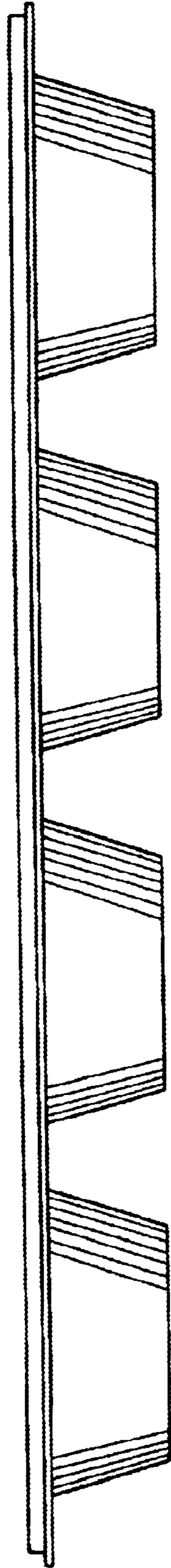


FIG. 3