



US00D488951S

(12) **United States Design Patent**
Josancy

(10) **Patent No.:** **US D488,951 S**

(45) **Date of Patent:** **** Apr. 27, 2004**

(54) **STEAMER WITH INTERCHANGEABLE ACCESSORIES**

(75) Inventor: **Luc Josancy**, Sainte Colombe (FR)

(73) Assignee: **SEB**, Selongey (FR)

(**) Term: **14 Years**

(21) Appl. No.: **29/161,565**

(22) Filed: **Jun. 3, 2002**

(30) **Foreign Application Priority Data**

Dec. 18, 2001 (FR) 01 7135

(51) **LOC (7) Cl.** **07-02**

(52) **U.S. Cl.** **D7/356; D7/360**

(58) **Field of Search** D7/323, 354-360;
99/324, 325-327, 410, 339, 340, 357, 395,
422, 403; 126/19 R, 20, 275 R, 275 E,
377, 369; 220/912, 573.1; 219/620-622,
429, 438, 448.13

(56) **References Cited**

U.S. PATENT DOCUMENTS

- D402,848 S * 12/1998 Piret D7/356
- D404,244 S * 1/1999 Jozancy D7/354
- D445,295 S * 7/2001 Su D7/323
- D463,712 S * 10/2002 Josancy D7/356

* cited by examiner

Primary Examiner—Caron D. Veynar
(74) *Attorney, Agent, or Firm*—Browdy and Neimark, P.L.L.C.

(57) **CLAIM**

The ornamental design for a steamer with interchangeable accessories, as shown and described.

DESCRIPTION

FIG. 1 is a front elevational view of a steamer with interchangeable accessories in accordance with the present design with a first accessory in the form of an opaque plastic bowl mounted therein;

FIG. 2 is a back elevational view thereof;

FIG. 3 is a left side elevational view thereof;

FIG. 4 is a right side elevational view thereof;

FIG. 5 is a top plan view thereof;

FIG. 6 is a bottom plan view thereof;

FIG. 7 is a perspective view thereof;

FIG. 8 is a front elevational view of the steamer with interchangeable accessories in accordance with the present design with a second accessory in the form of a transparent plastic tray with a transparent plastic handle mounted in the steamer;

FIG. 9 is a back elevational view thereof;

FIG. 10 is a left side elevational view thereof;

FIG. 11 is a right side elevational view thereof;

FIG. 12 is a top plan view thereof; and

FIG. 13 is a perspective view thereof.

1 Claim, 13 Drawing Sheets

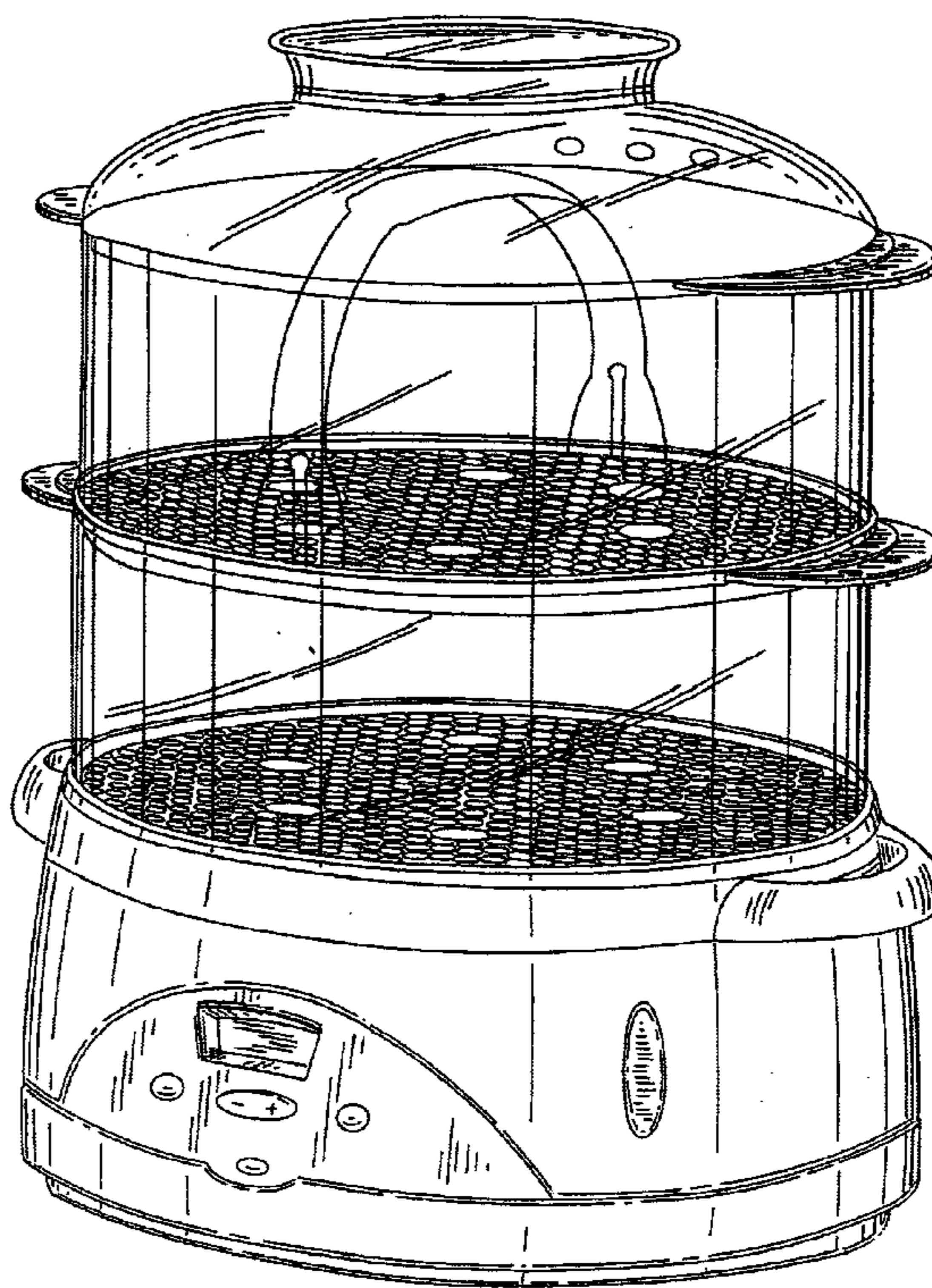
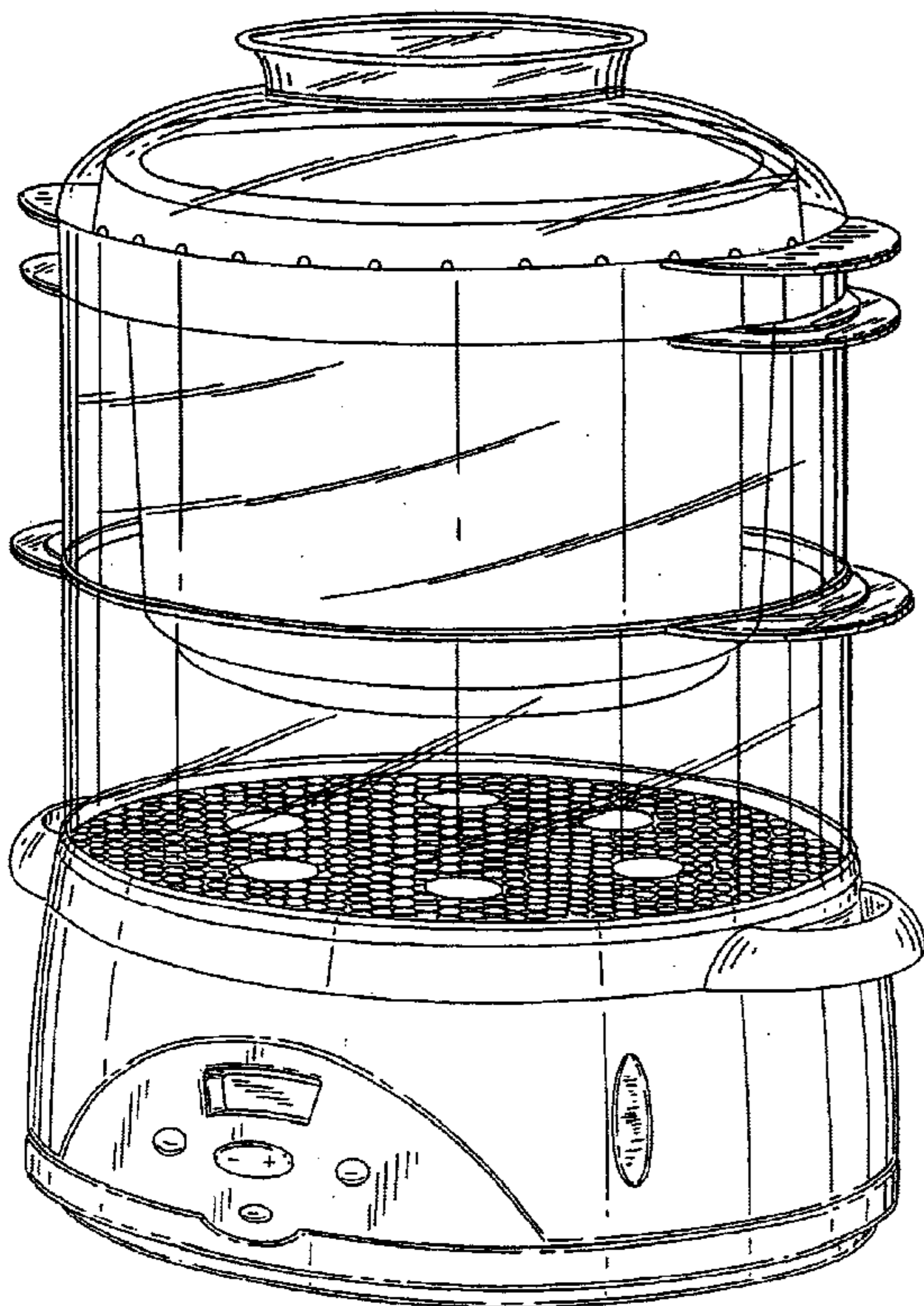


FIG. 1

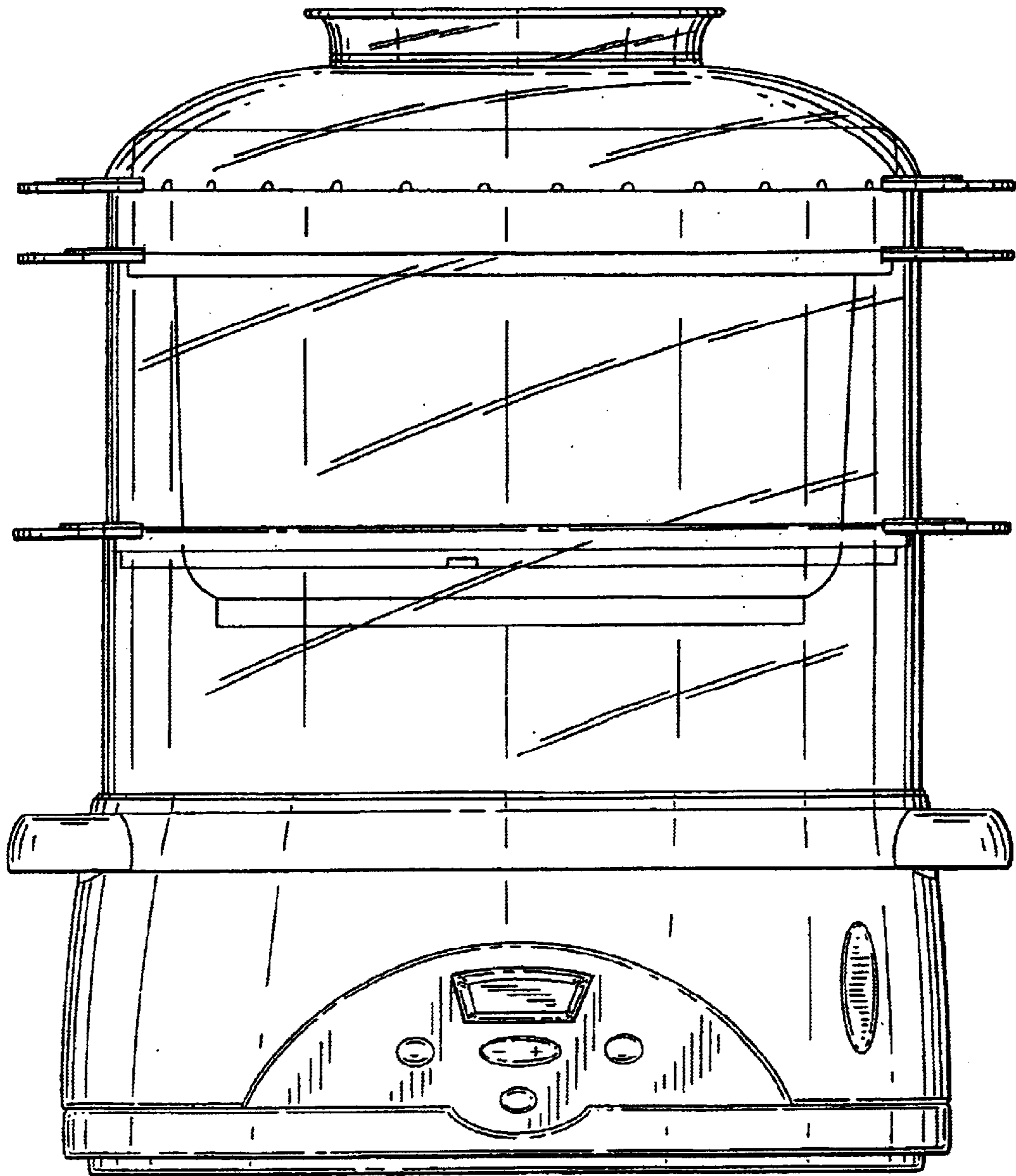


FIG. 2

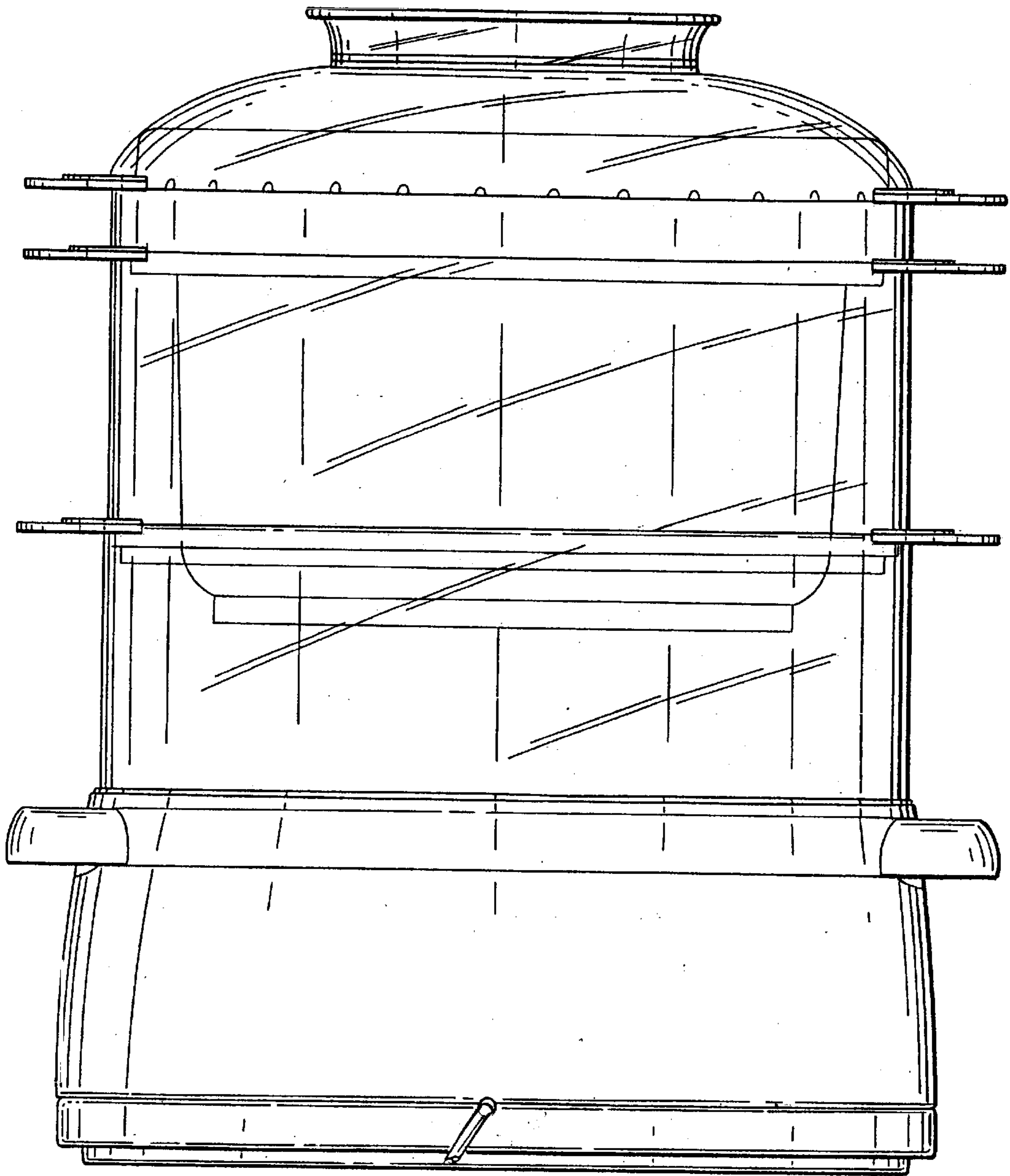


FIG. 3

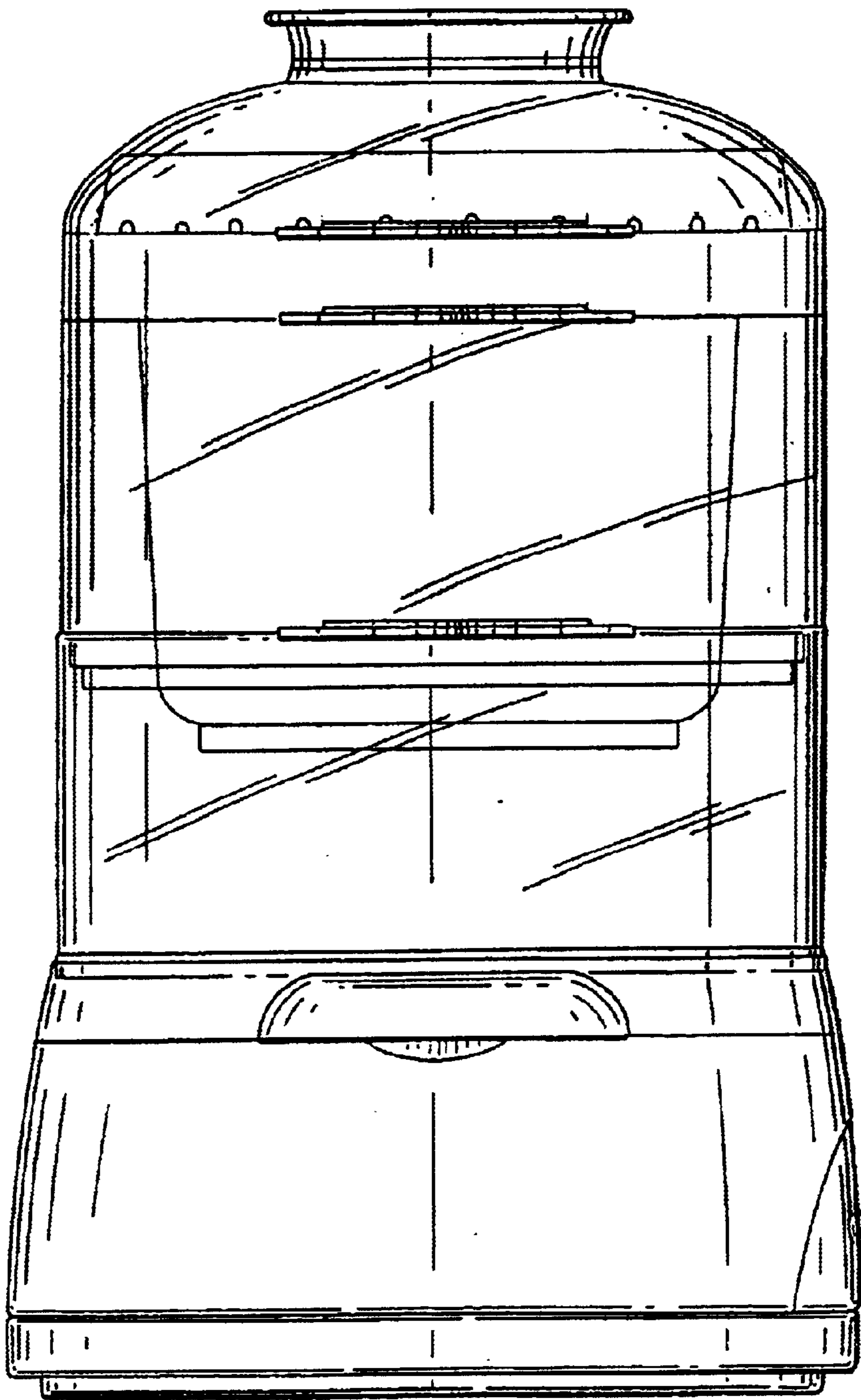


FIG. 4

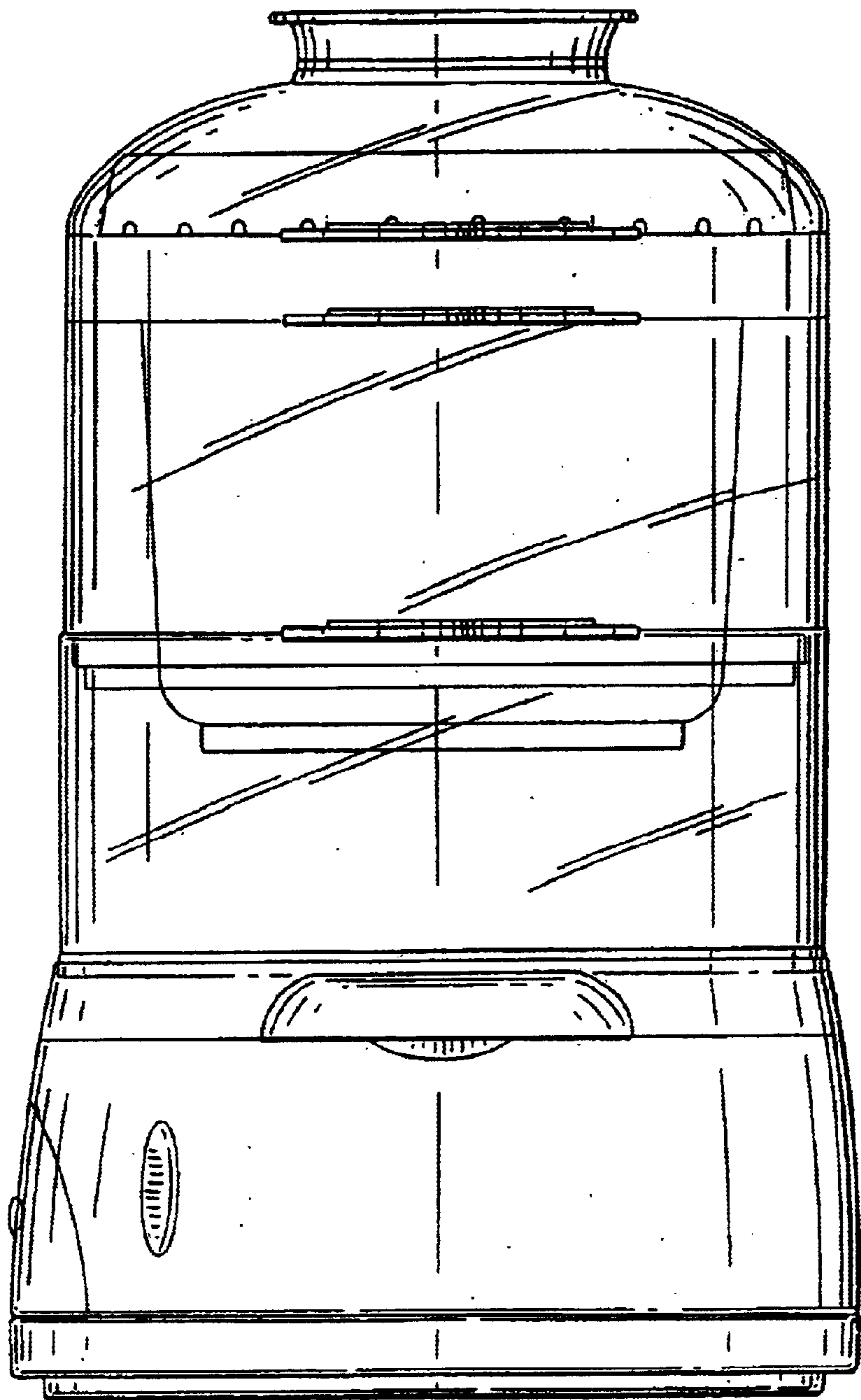


FIG. 5

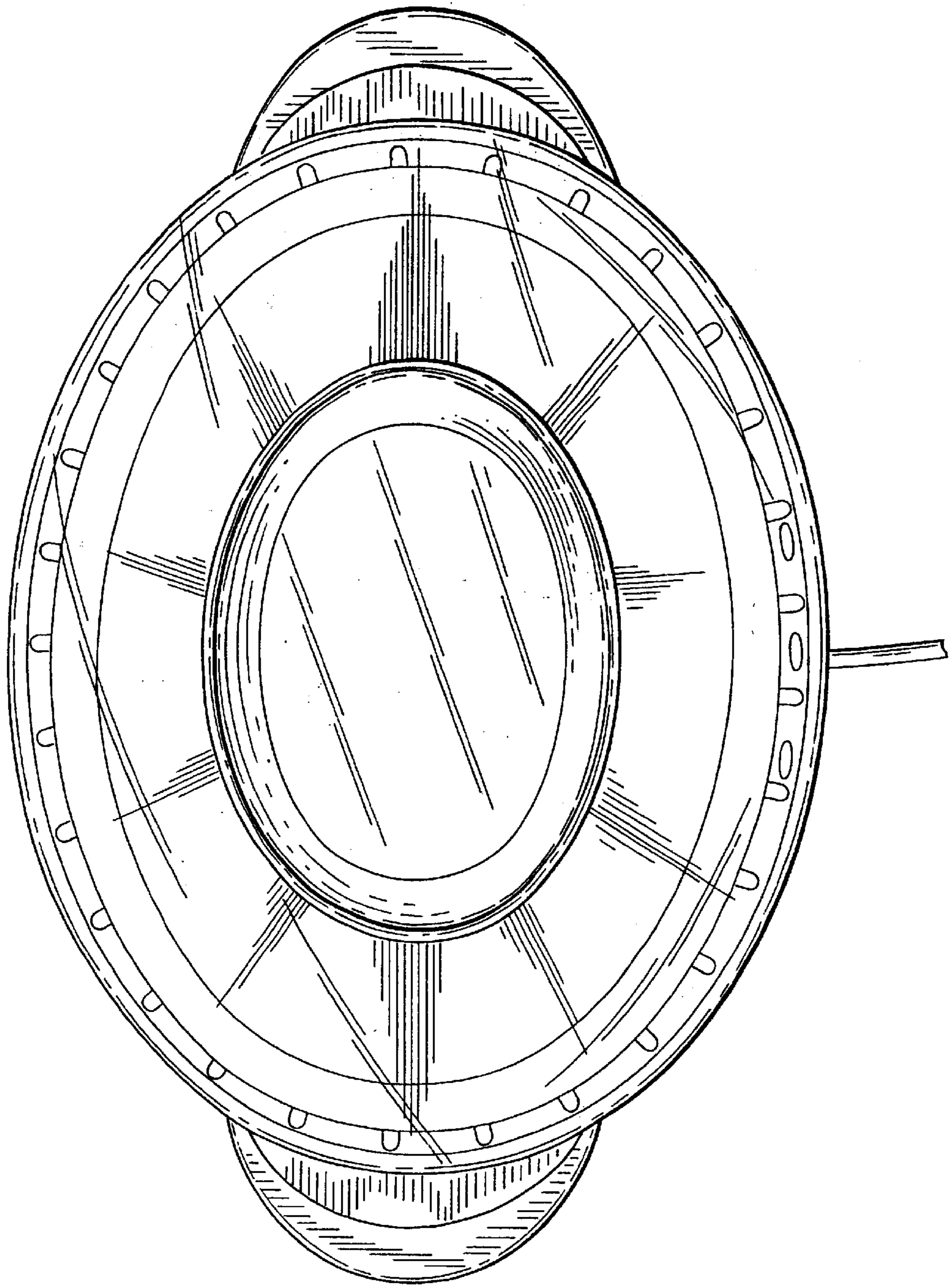


FIG. 6

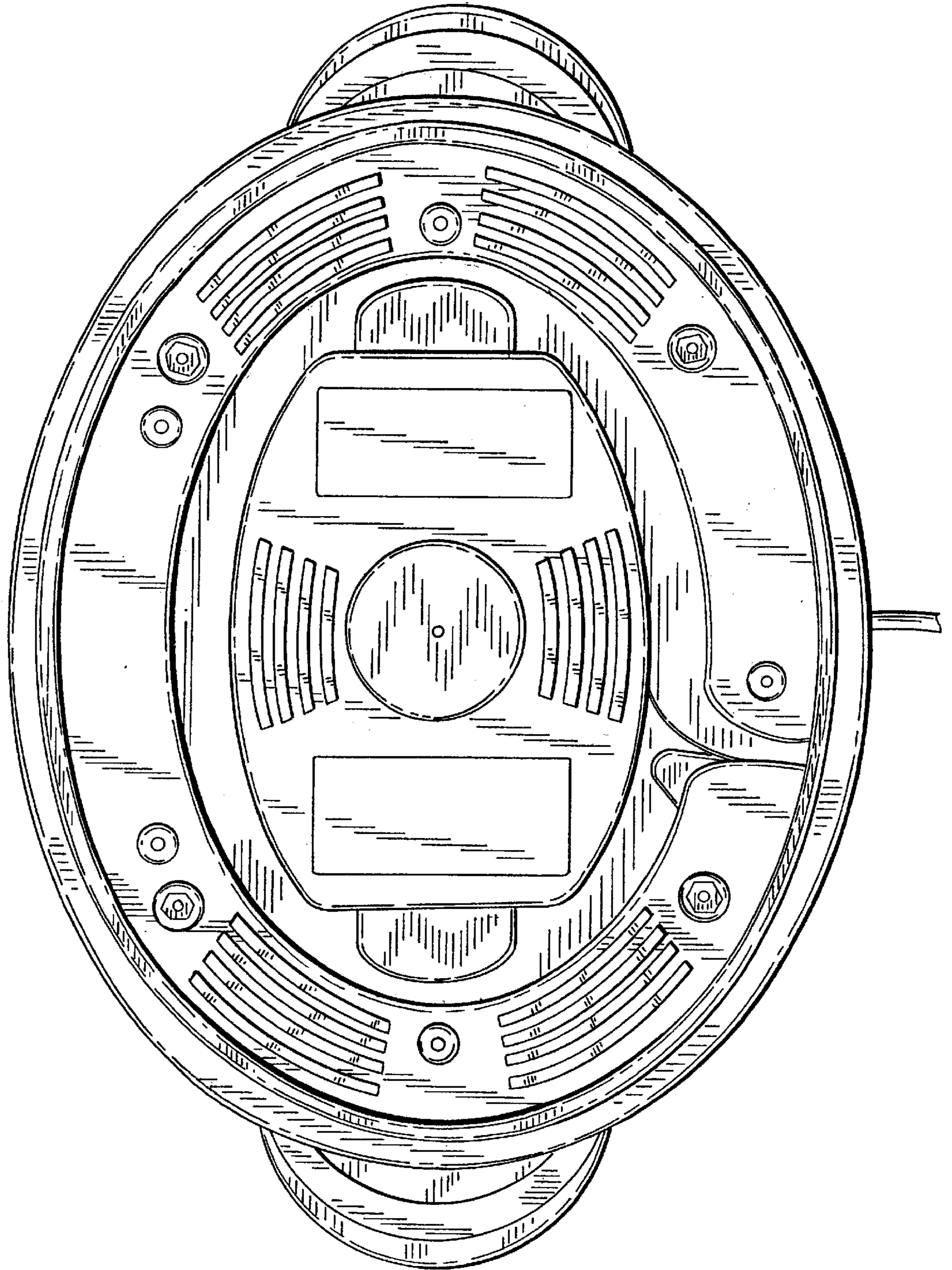


FIG. 7

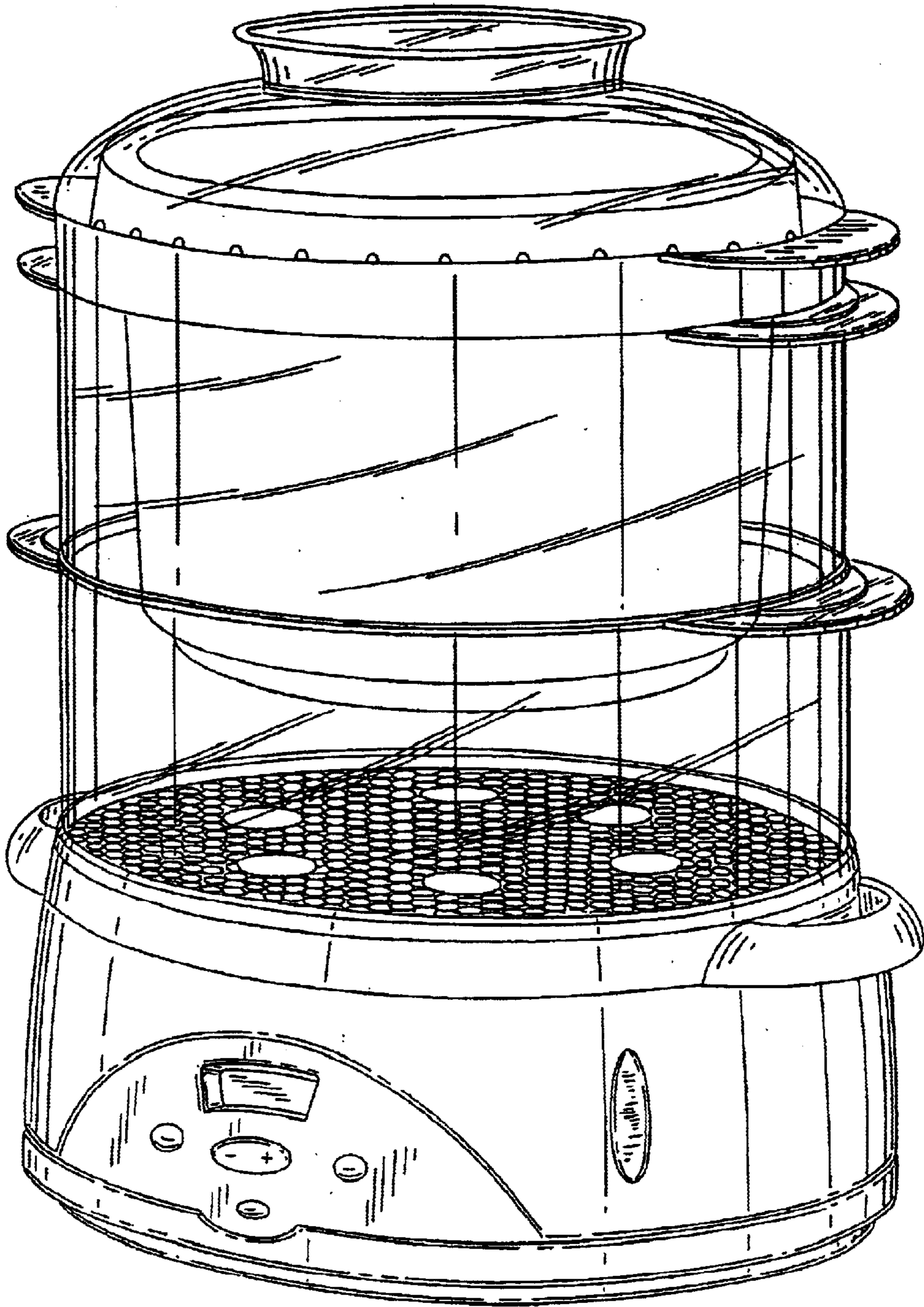


FIG. 8

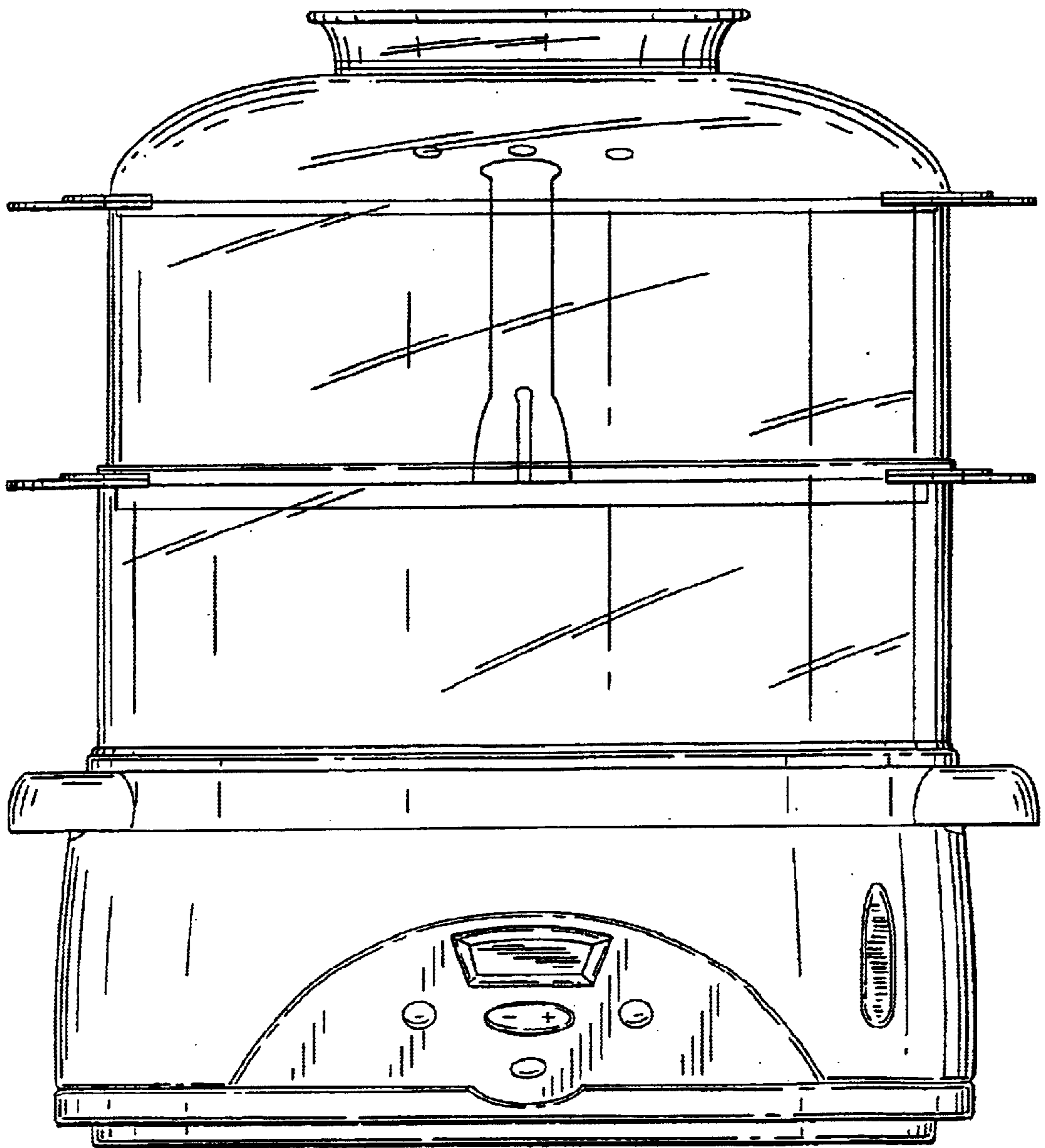


FIG. 9

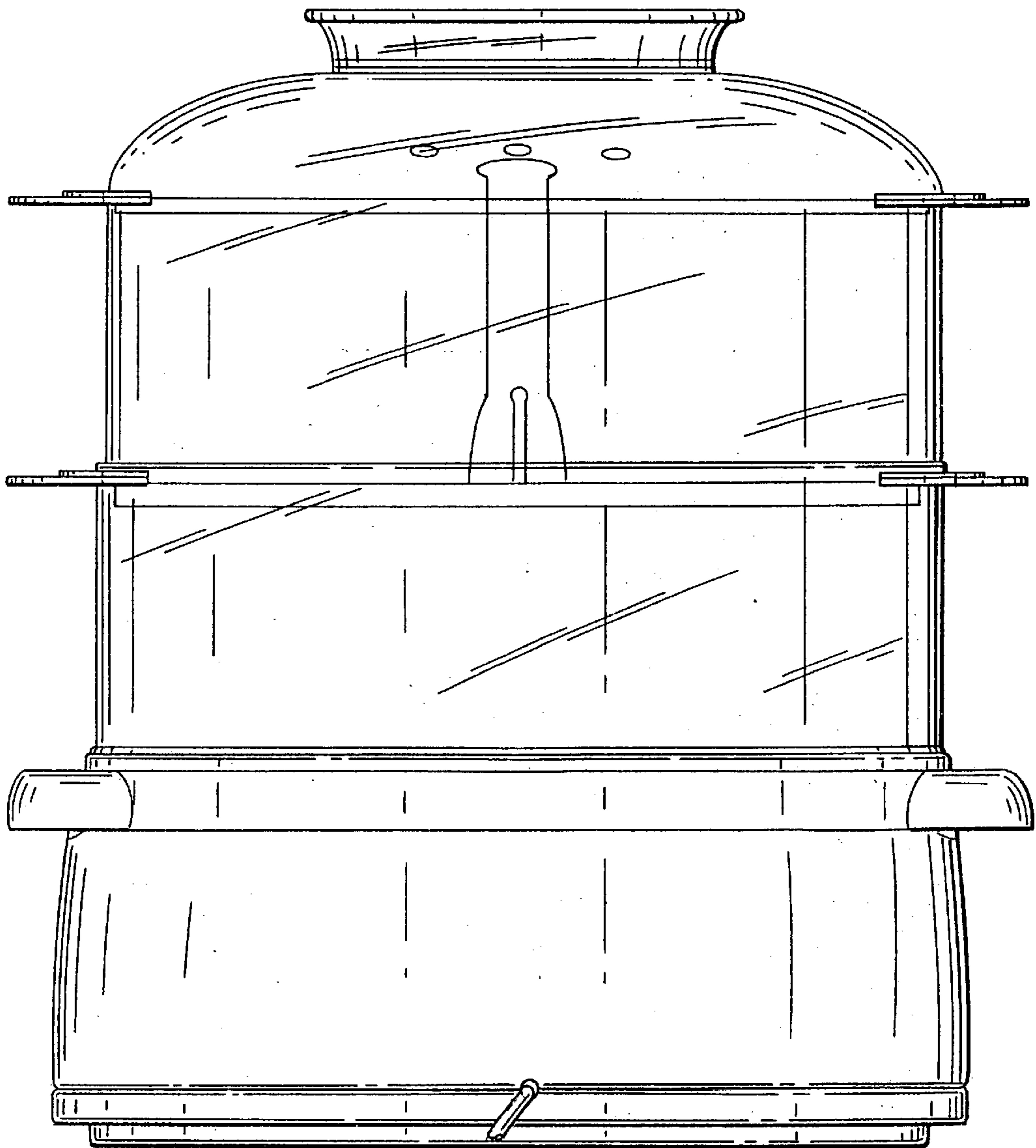


FIG. 10

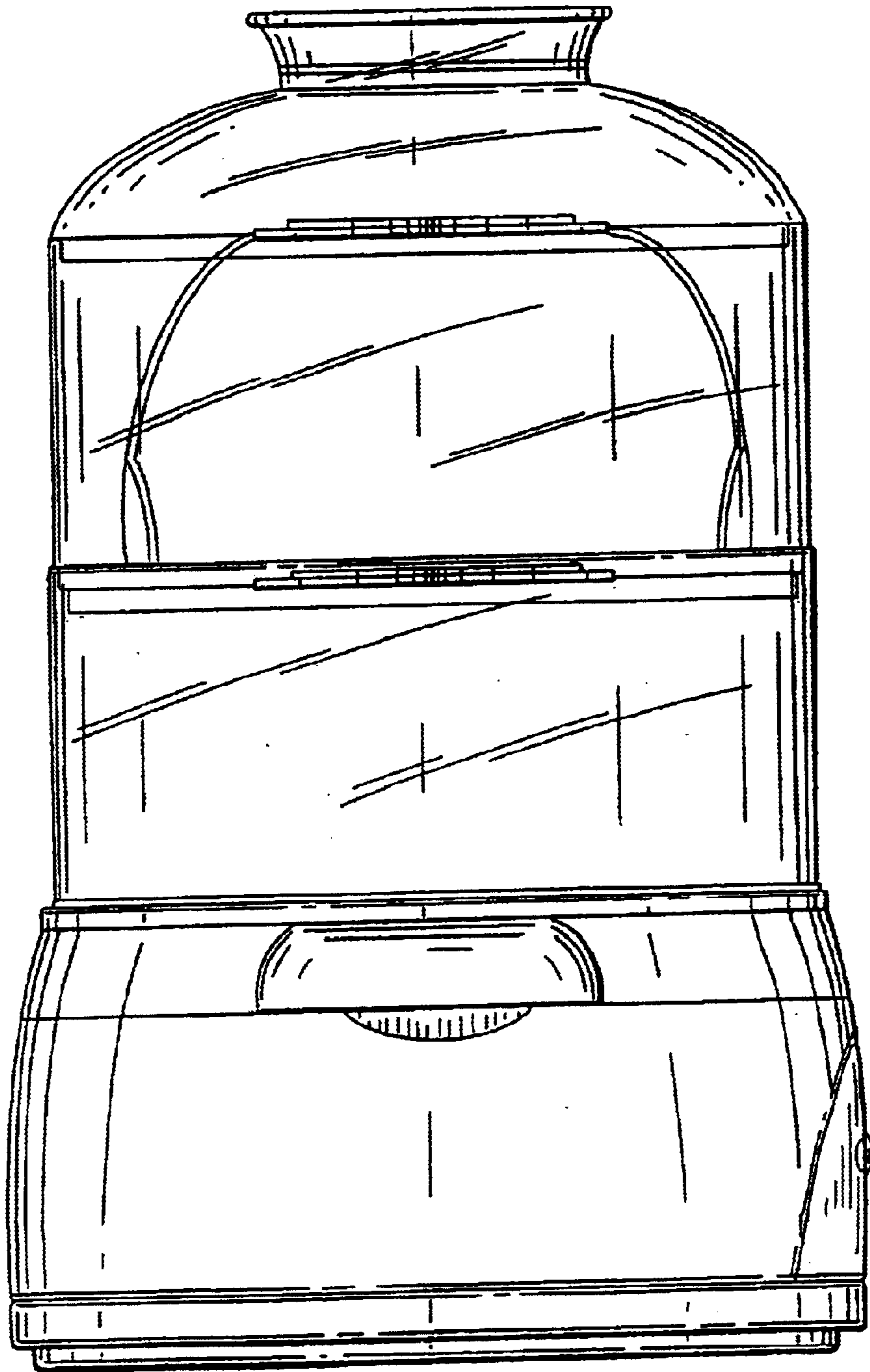


FIG. 11

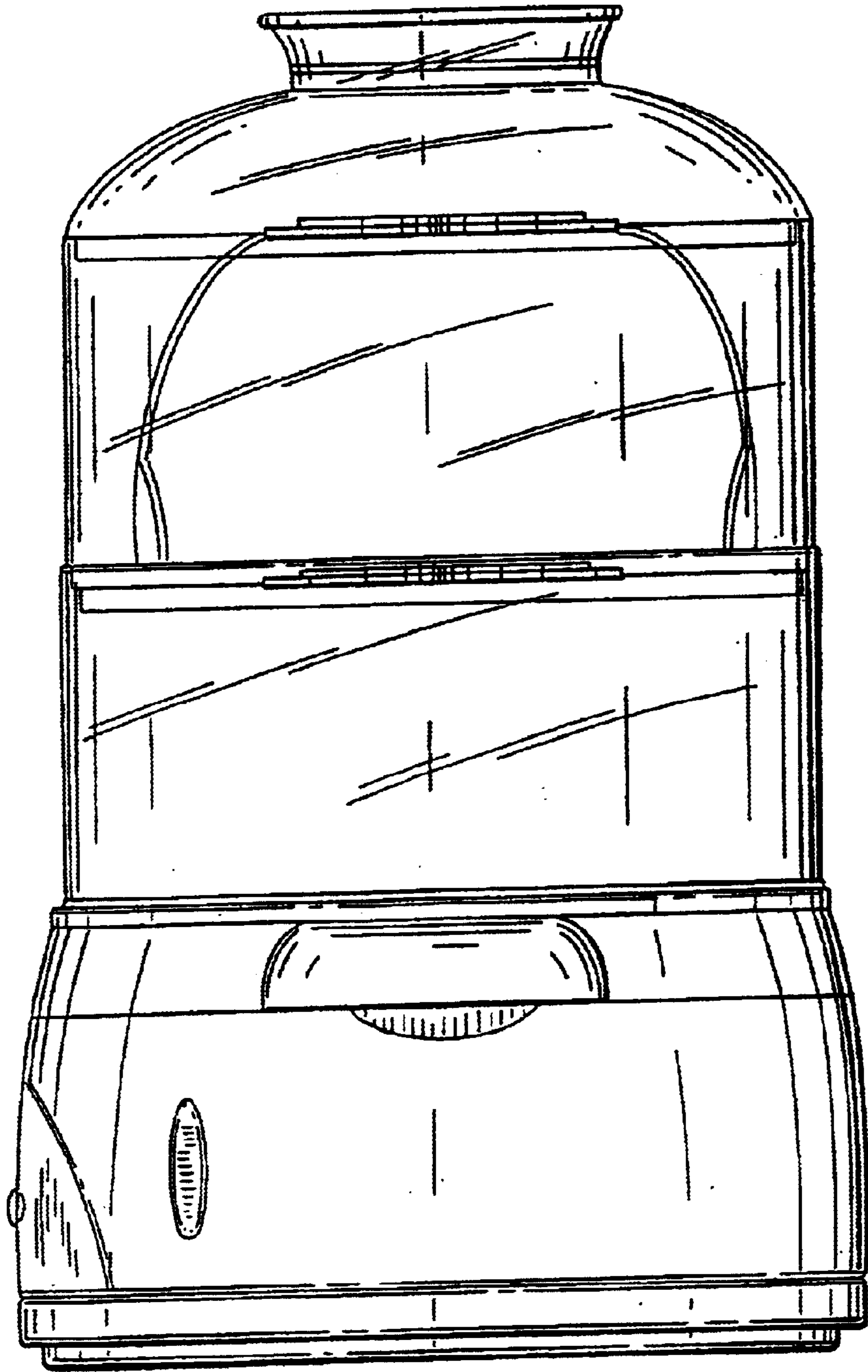


FIG. 12

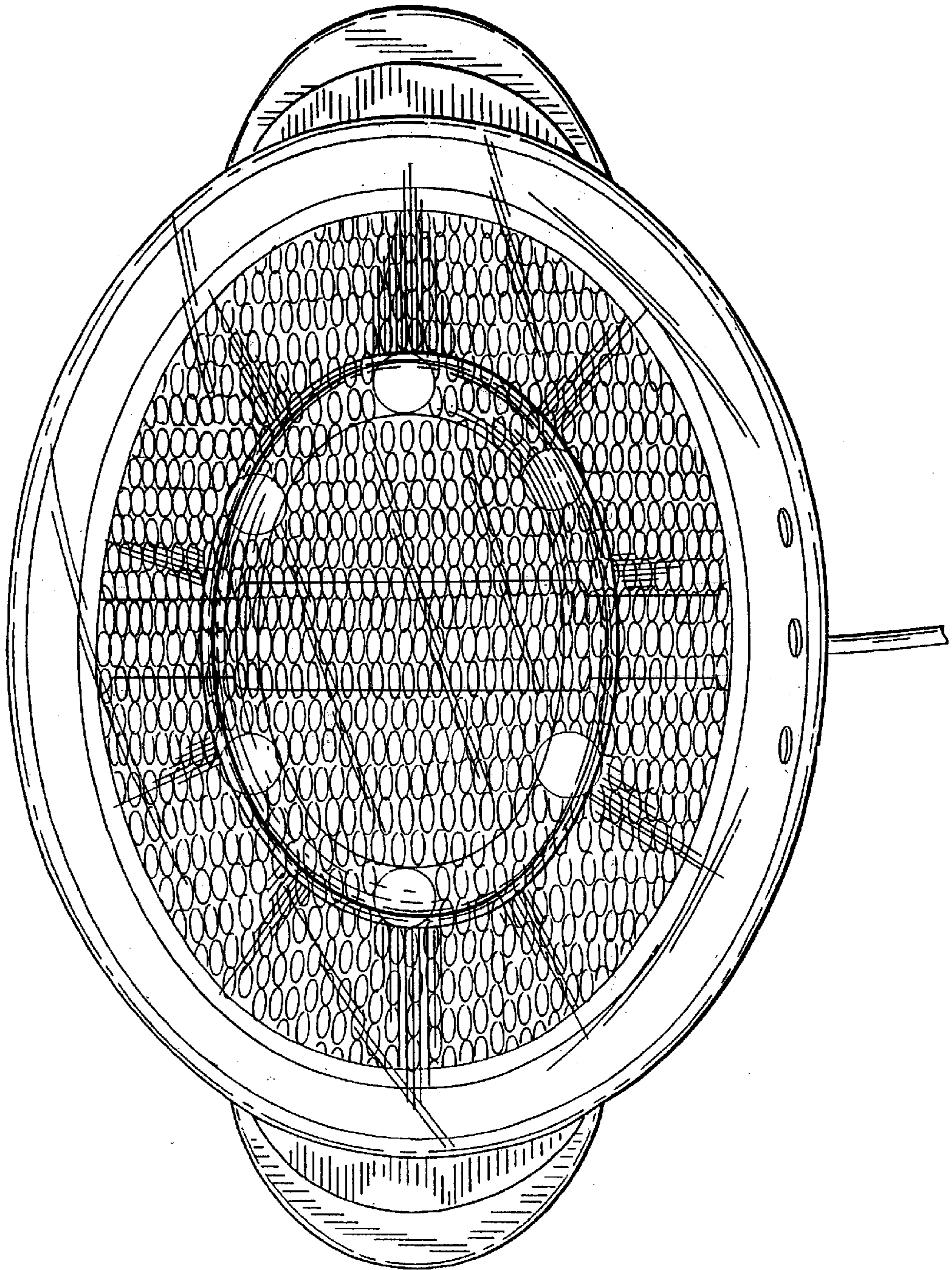


FIG. 13

