



US00D488950S

(12) **United States Design Patent**  
**Tse**

(10) **Patent No.:** **US D488,950 S**

(45) **Date of Patent:** **\*\* Apr. 27, 2004**

(54) **CHAFING DISH**

(75) **Inventor:** **Shu Tse, Kowloon (CN)**

(73) **Assignee:** **Chekiang Metalware Factory  
Company Limited, Kowloon (CN)**

(\*\*) **Term:** **14 Years**

(21) **Appl. No.:** **29/178,265**

(22) **Filed:** **Mar. 24, 2003**

(30) **Foreign Application Priority Data**

Nov. 12, 2002 (HK) ..... 0211853

(51) **LOC (7) Cl.** ..... **07-02**

(52) **U.S. Cl.** ..... **D7/355**

(58) **Field of Search** ..... D7/323, 354-361,  
D7/365-367; 99/324, 339, 340, 357; 219/620-622,  
429-438, 451.1; 220/573.1-574, 252; 248/147

(56) **References Cited**

**U.S. PATENT DOCUMENTS**

D31,666 S \* 10/1899 Steppe ..... D7/366  
931,497 A \* 8/1909 Schille ..... 220/252

D216,411 S \* 12/1969 Porciani ..... D7/355  
5,788,196 A \* 8/1998 Forman ..... 248/147  
D423,278 S \* 4/2000 Briner ..... D7/355  
D434,267 S \* 11/2000 Yu ..... D7/355

\* cited by examiner

*Primary Examiner*—Caron D. Veynar

(74) *Attorney, Agent, or Firm*—Alix, Yale & Ristas, LLP

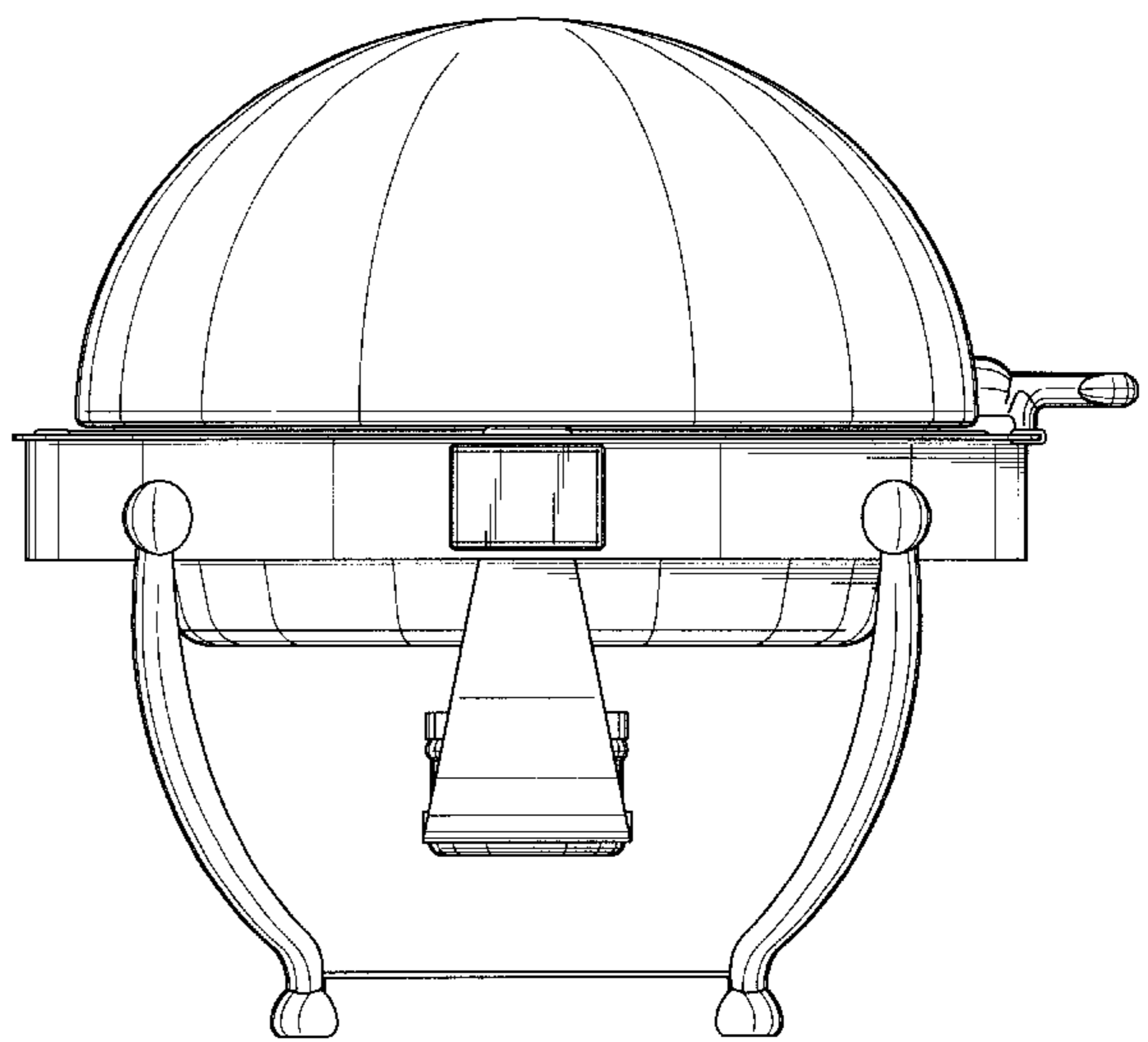
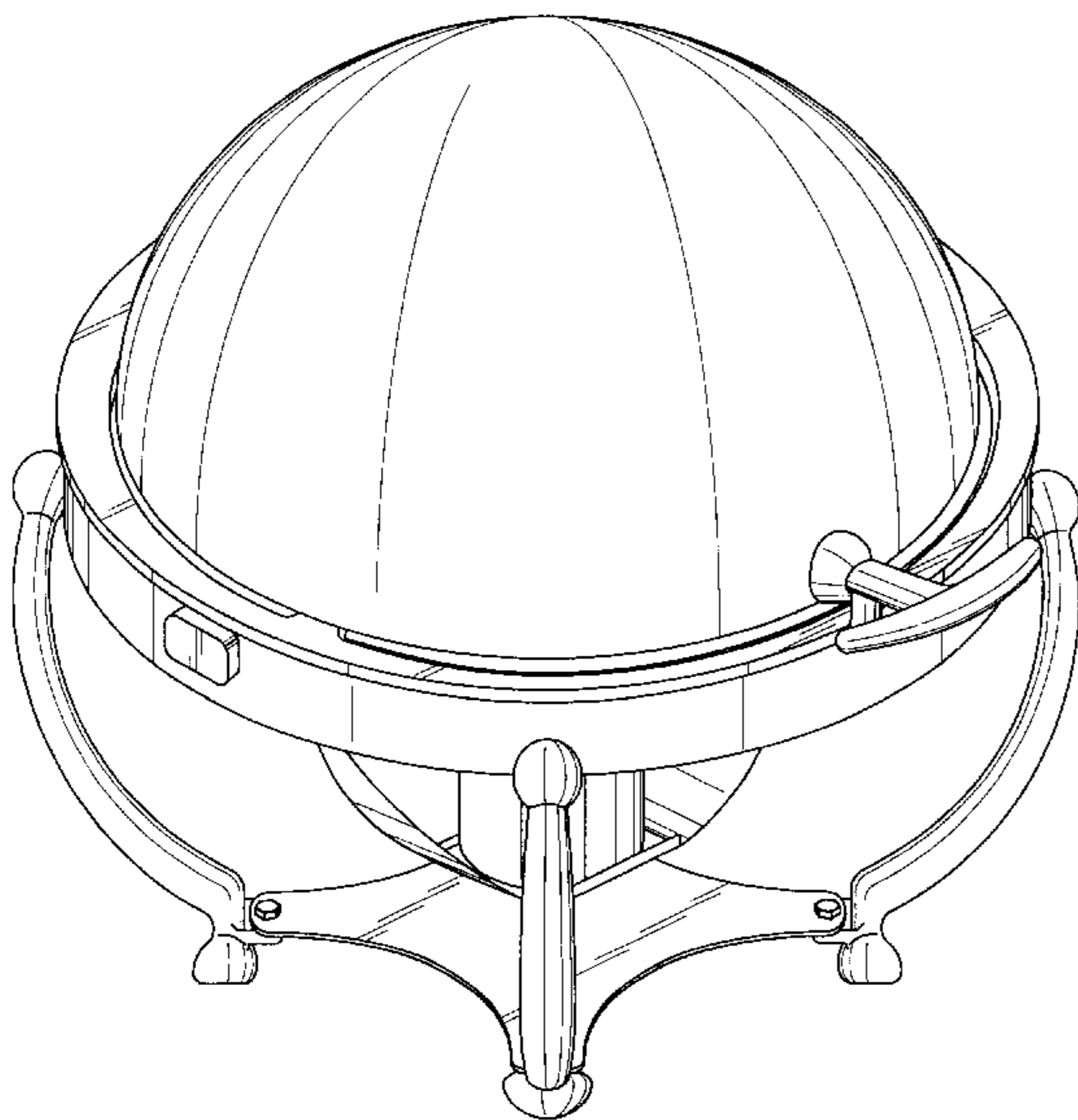
(57) **CLAIM**

The ornamental design for a chafing dish, as shown and described.

**DESCRIPTION**

FIG. 1 is a front perspective view of a chafing dish showing my new design;  
FIG. 2 is a front elevational view thereof;  
FIG. 3 is a rear elevational view thereof;  
FIG. 4 is a left side elevational view thereof, the right side elevational view thereof being identical;  
FIG. 5 is a top plan view thereof;  
FIG. 6 is a bottom plan view thereof; and,  
FIG. 7 is a left side elevational view thereof wherein the lid is in an open position.

**1 Claim, 7 Drawing Sheets**



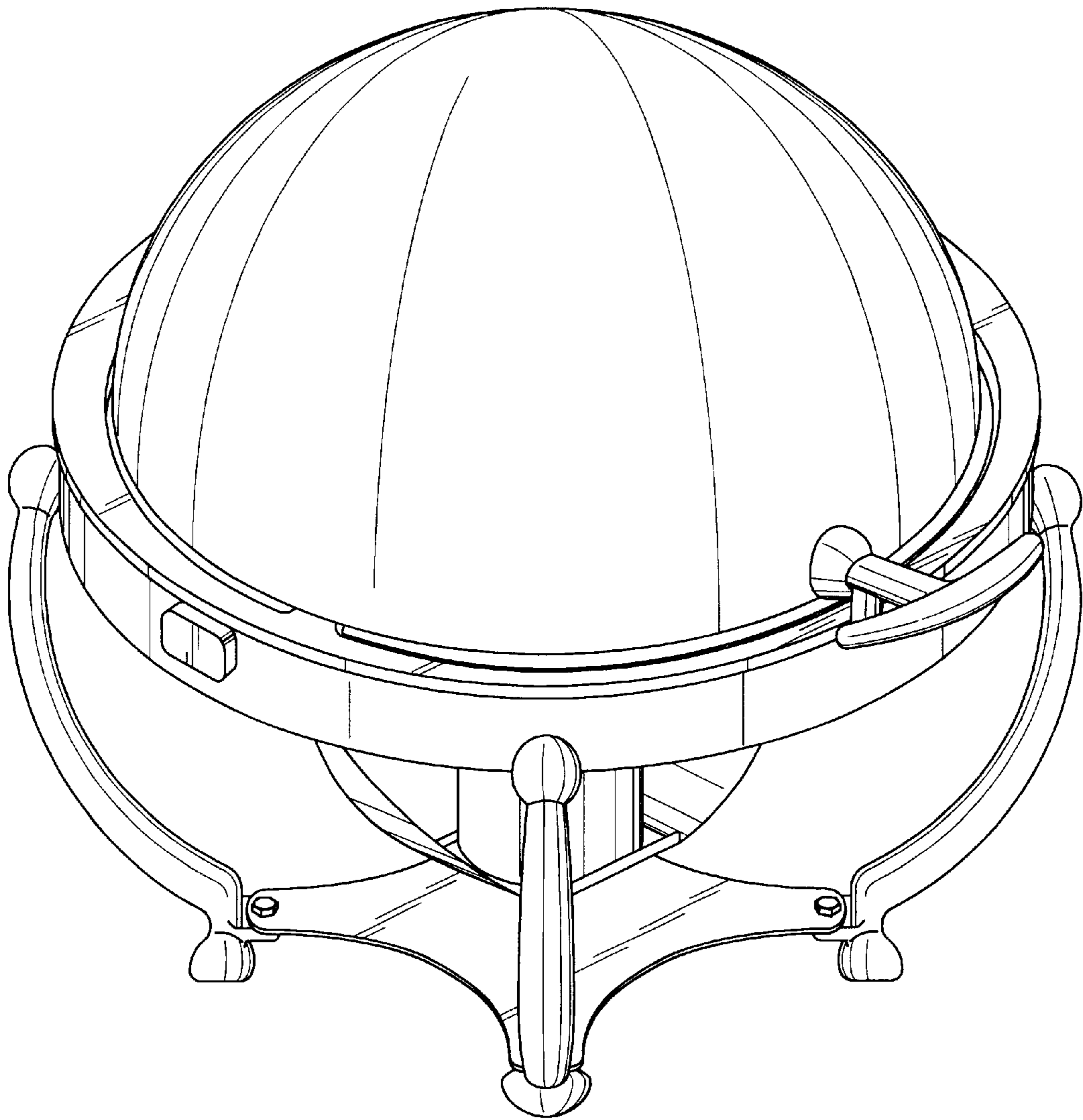


FIG. 1

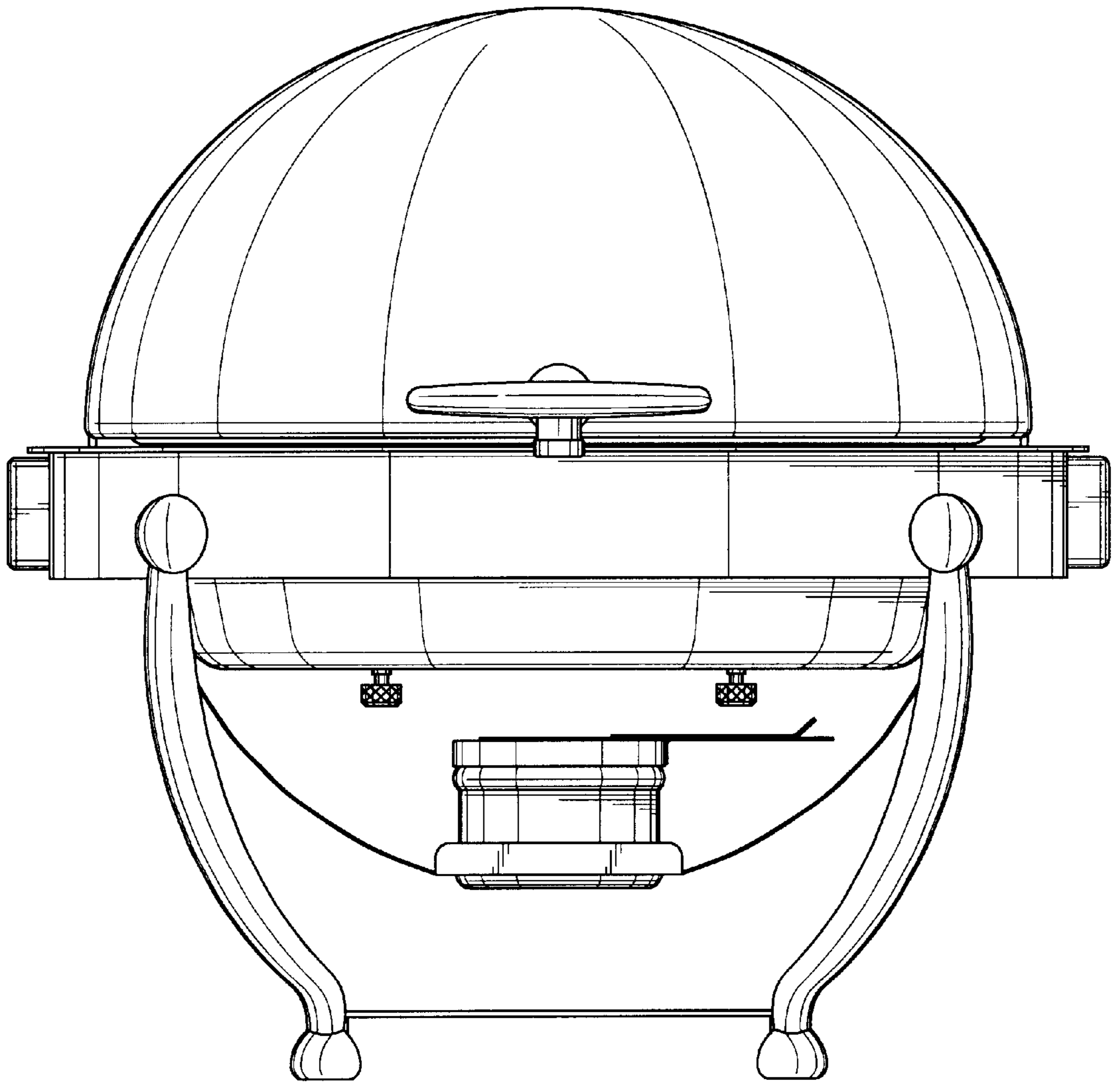


FIG. 2

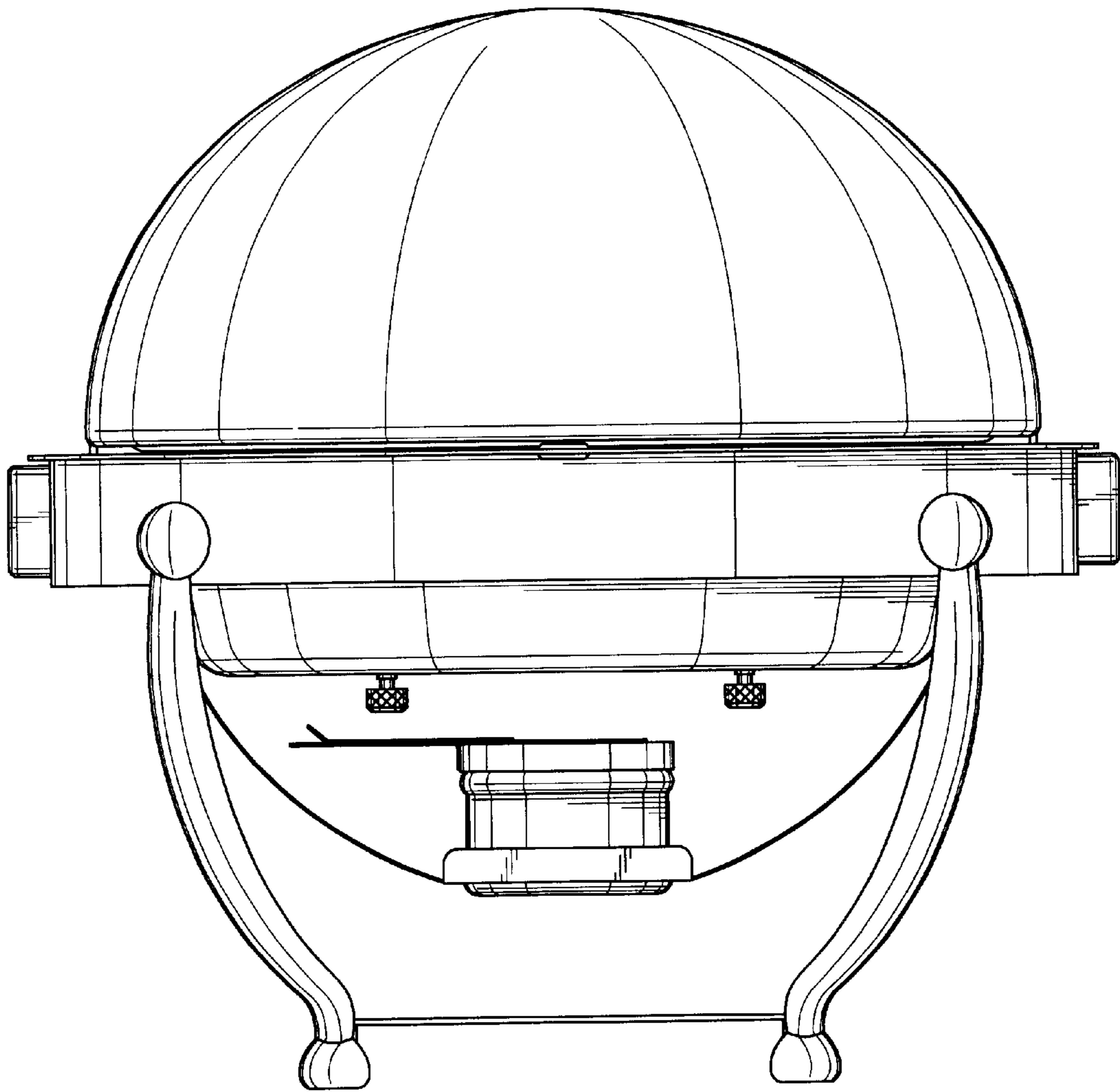


FIG. 3

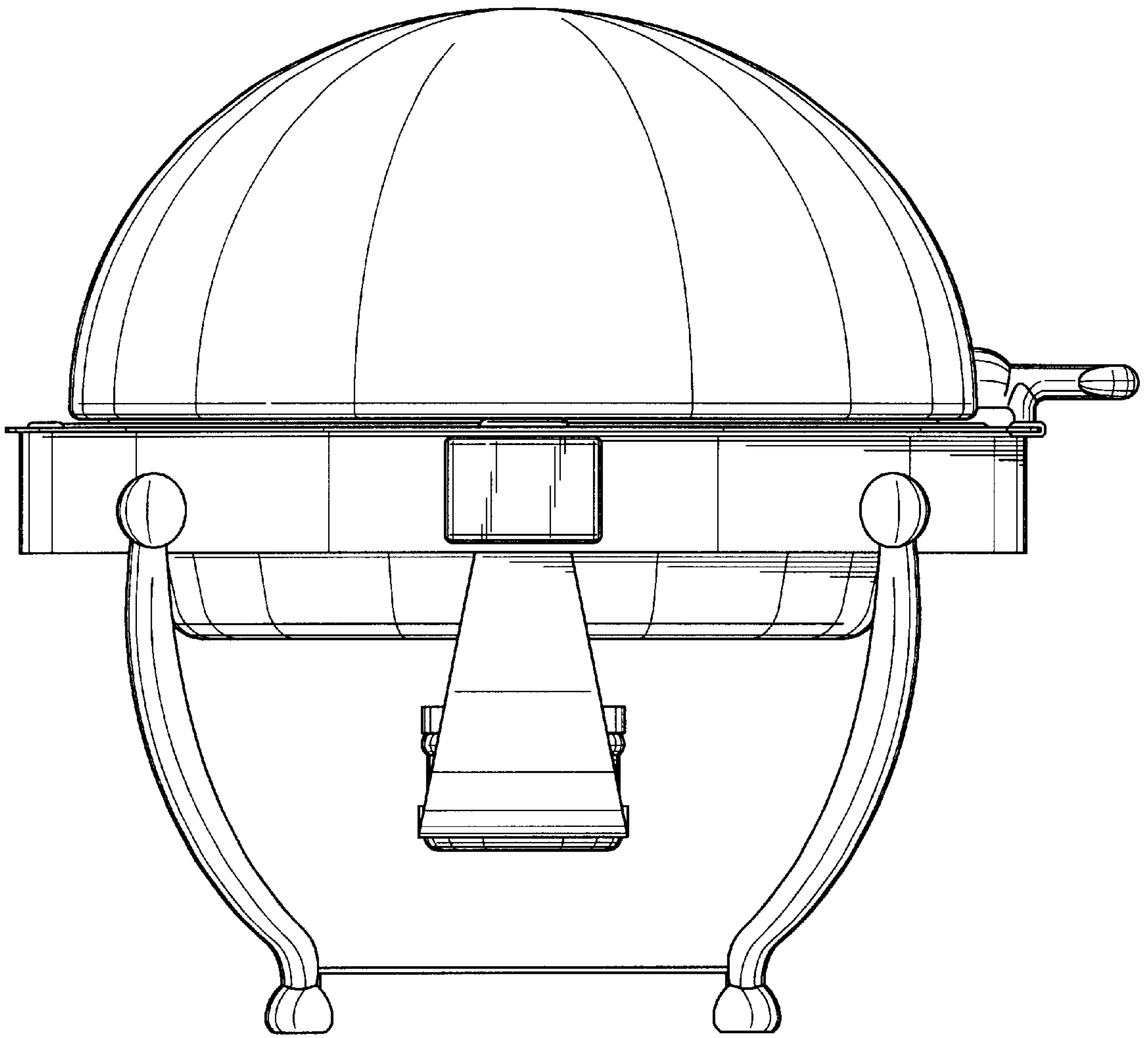


FIG. 4

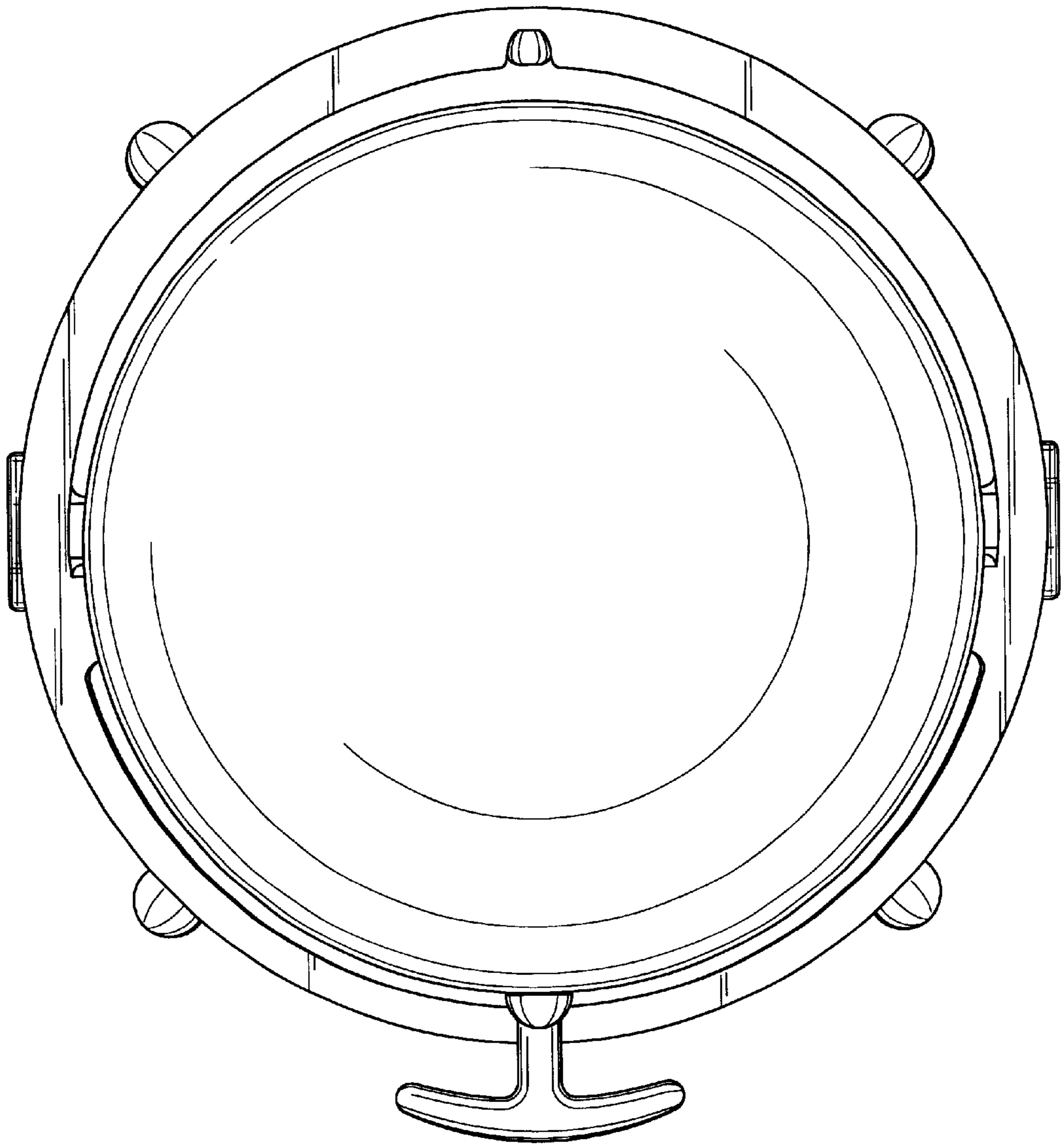


FIG. 5

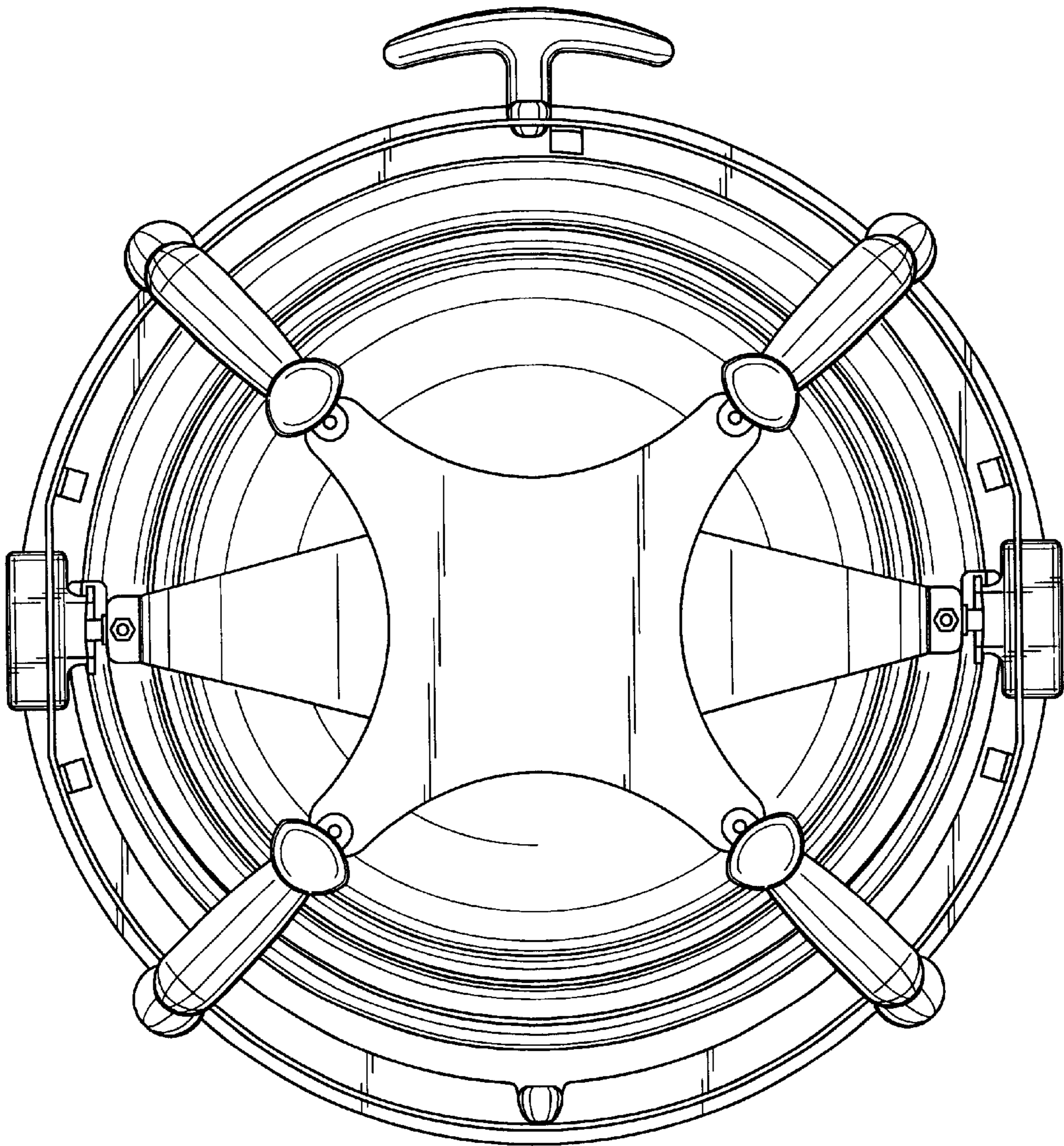


FIG. 6

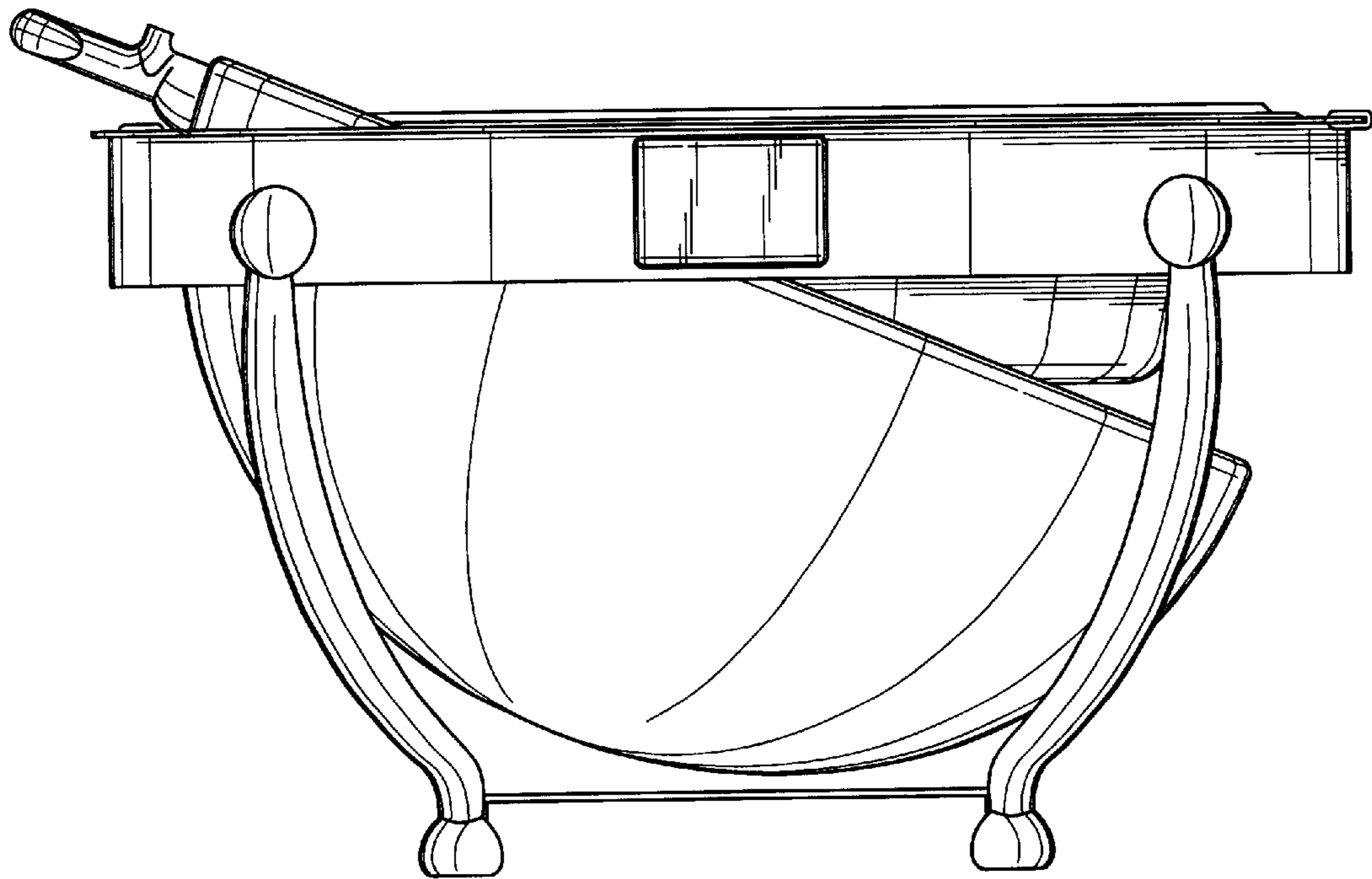


FIG. 7