



US00D488945S

(12) **United States Design Patent**  
**Bibby et al.**

(10) **Patent No.:** **US D488,945 S**  
(45) **Date of Patent:** **\*\* Apr. 27, 2004**

(54) **HEADRAIL FOR WINDOW BLINDS**

(75) Inventors: **Keith M. G. Bibby**, Mansfield, MA (US); **Leslie M. Kenney**, Wakefield, RI (US); **Polly I. Wessick**, North Kingston, RI (US)

(73) Assignee: **Kenney Manufacturing Co.**, Warwick, RI (US)

(\*\*) Term: **14 Years**

(21) Appl. No.: **29/165,573**

(22) Filed: **Aug. 14, 2002**

(51) **LOC (7) Cl.** ..... **06-10**

(52) **U.S. Cl.** ..... **D6/580**

(58) **Field of Search** ..... D6/577, 580, 581;  
160/178.1 R, 38, 170, 177 R; 248/251,  
261

(56) **References Cited**

**U.S. PATENT DOCUMENTS**

- D439,461 S \* 3/2001 Brunell ..... D6/580
- D440,444 S \* 4/2001 Sonnenberg et al. .... D6/580
- D443,788 S \* 6/2001 Horsten ..... D6/580

\* cited by examiner

*Primary Examiner*—Robin V. Taylor

(74) *Attorney, Agent, or Firm*—Robert J Doherty

(57) **CLAIM**

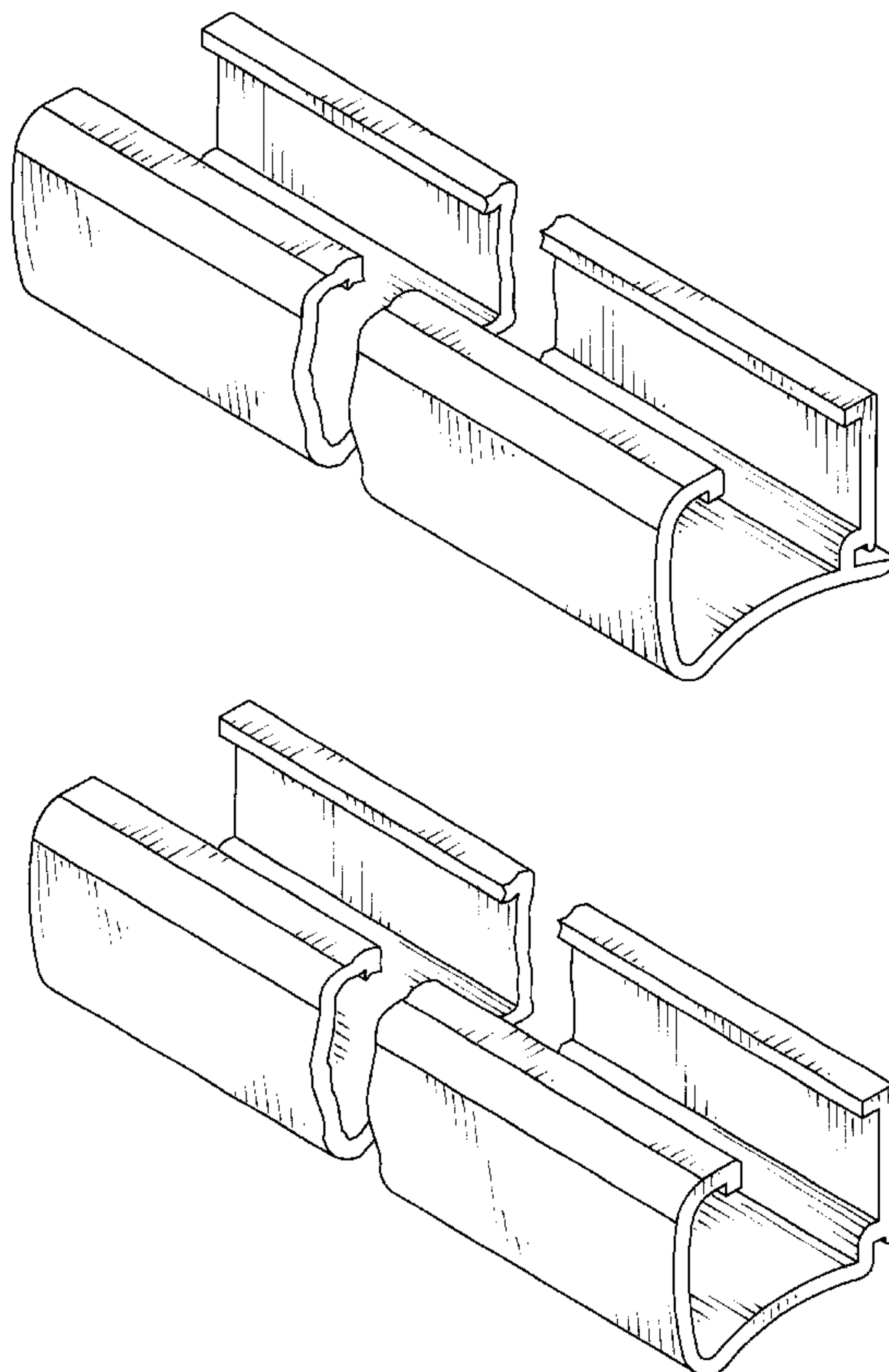
The ornamental design for a headrail for window blinds, as shown and described.

**DESCRIPTION**

FIG. 1 is a front perspective view of a headrail for window blinds showing its disposition relative to the individual slats of the blind and broken in two pieces to illustrate the indefinite length of the headrail showing our new design; FIG. 2 is a front perspective view of FIG. 1 with the dotted line representation of window blind slats removed; FIG. 3 is a right side elevation view of FIG. 2; FIG. 4 is a left side elevation view of FIG. 2; FIG. 5 is a front elevation view of FIG. 2; FIG. 6 is a rear elevation view of FIG. 2; FIG. 7 is a top plan view of FIG. 2; FIG. 8 is a bottom plan view of FIG. 2; FIG. 9 is a front perspective view similar to FIG. 2 but showing an alternate form of the invention; FIG. 10 is a right side elevation view of FIG. 9; FIG. 11 is a left side elevation view of FIG. 9; FIG. 12 is a front elevation view of FIG. 9; FIG. 13 is a rear elevation view of FIG. 9; FIG. 14 is a top plan view of FIG. 9; and, FIG. 15 is a bottom plan view of FIG. 9.

The dotted line representation shown in FIG. 1 is for informational purposes only and forms no part of the subject design.

**1 Claim, 9 Drawing Sheets**



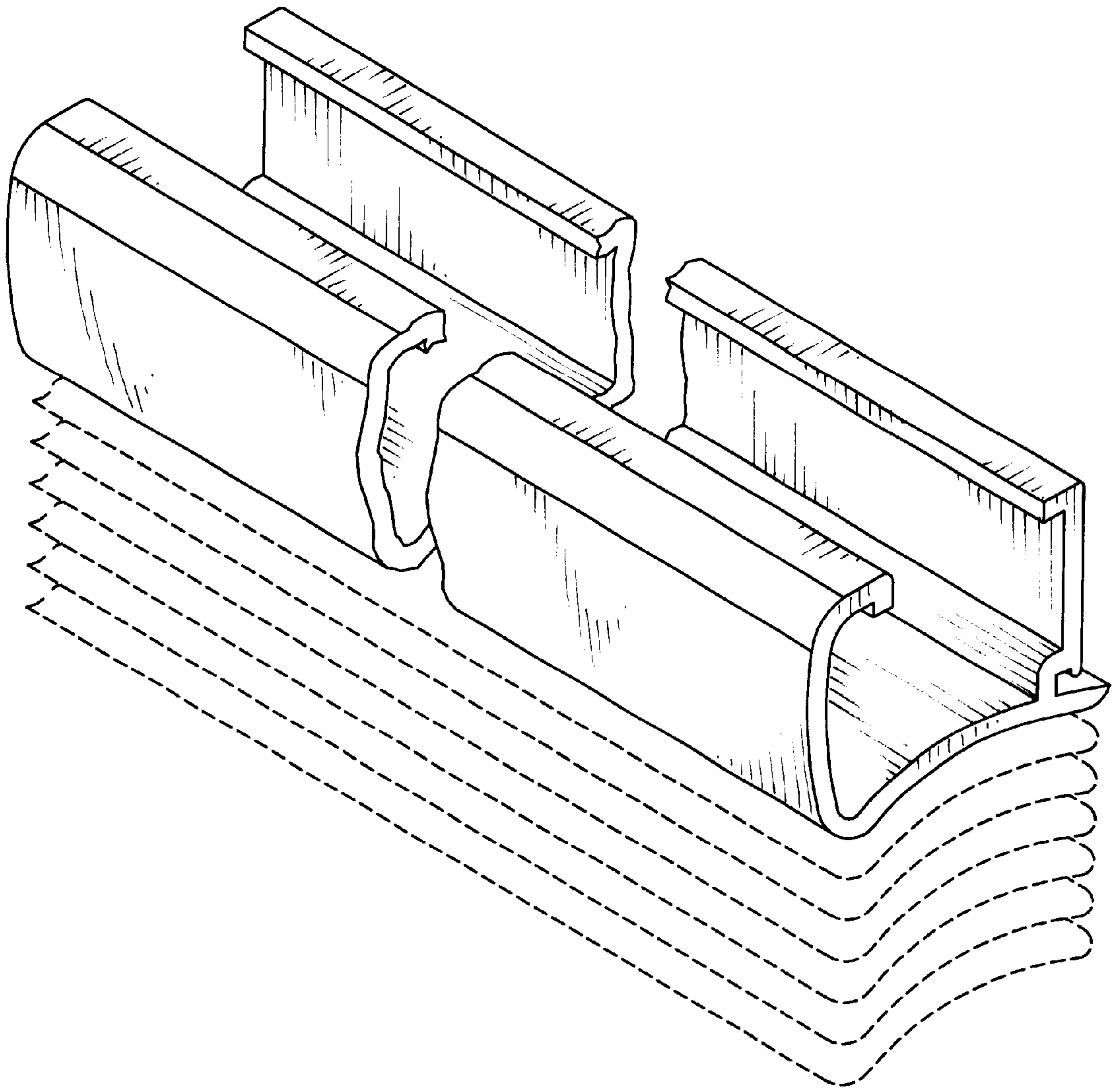


FIG. 1

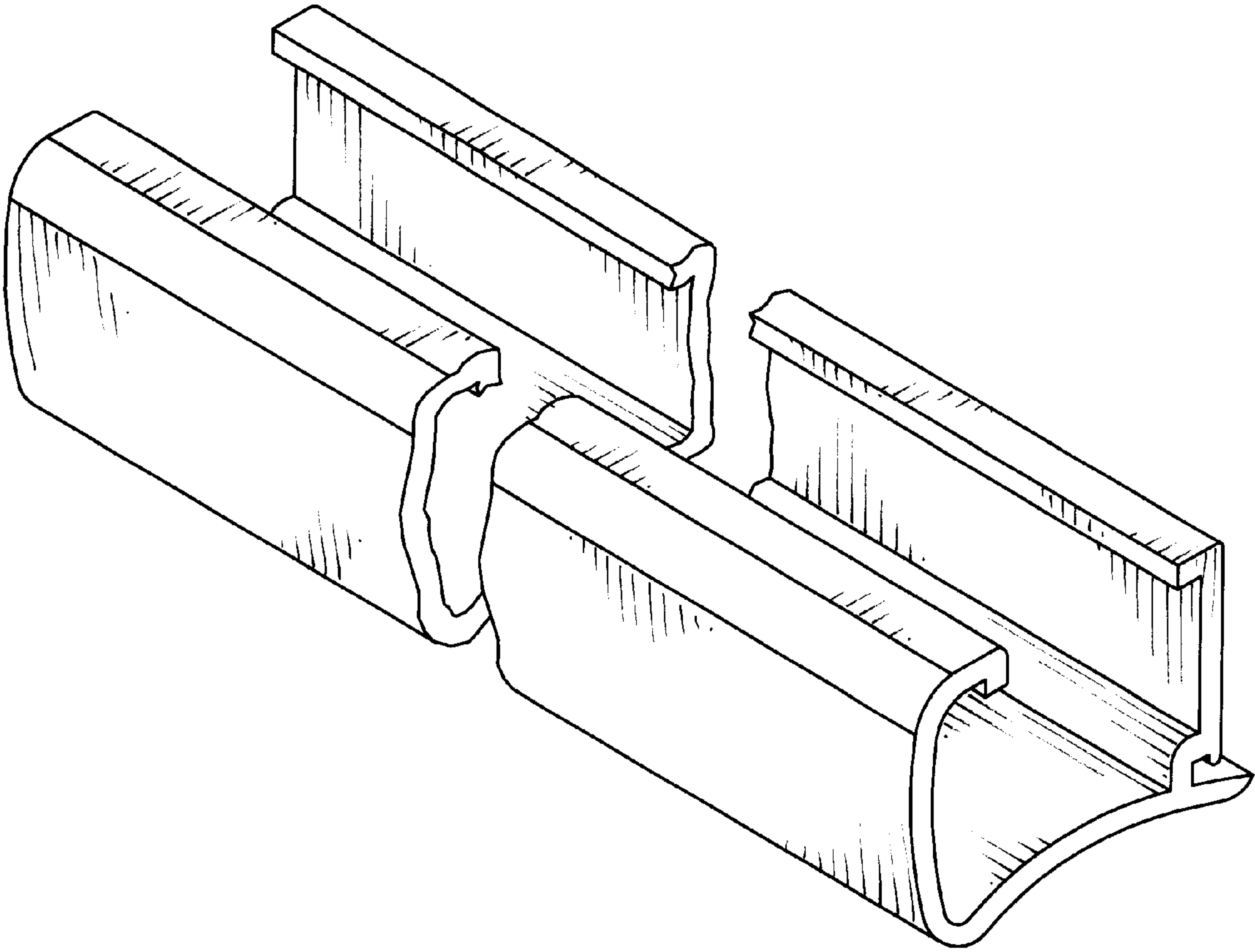


FIG. 2

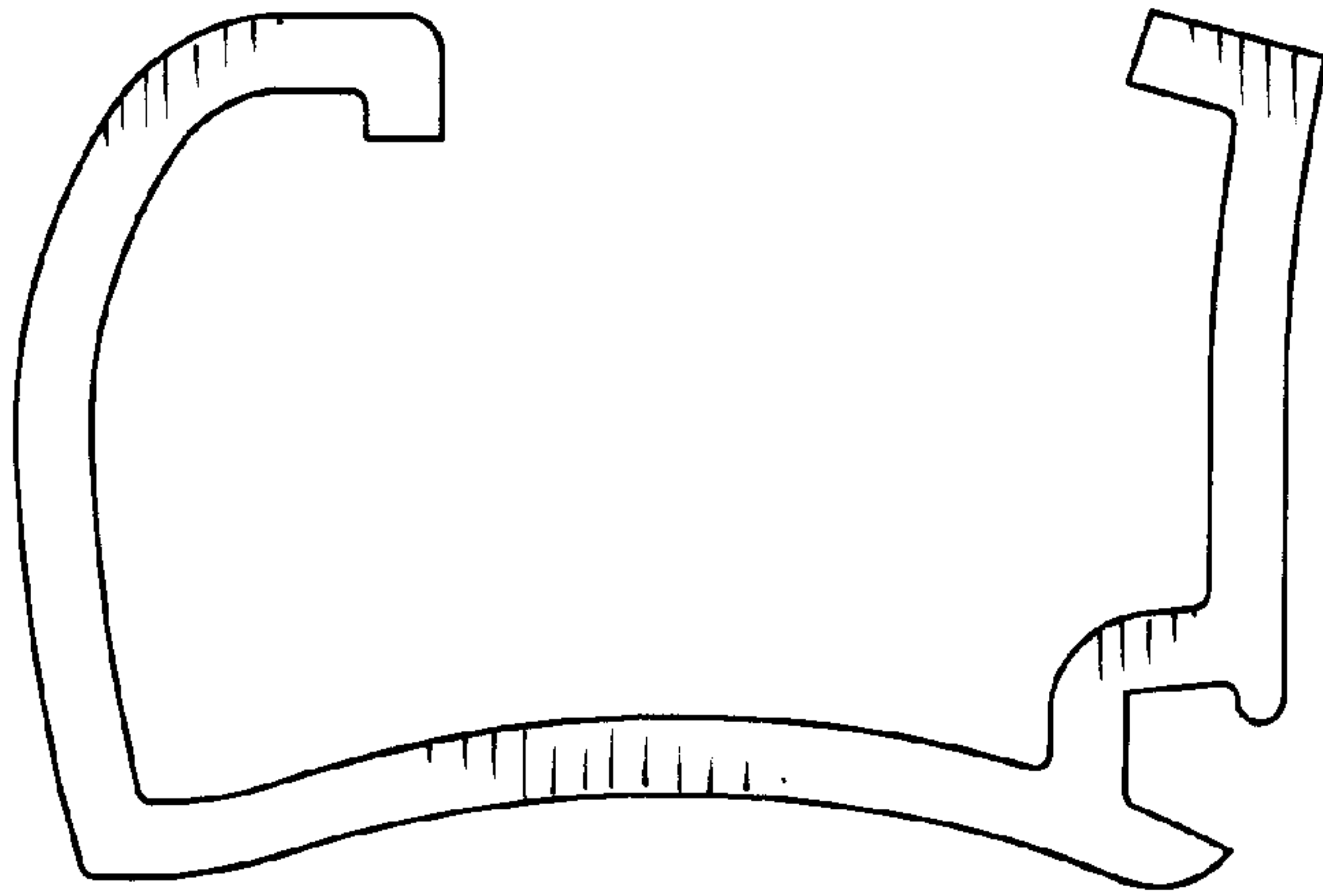


FIG. 3

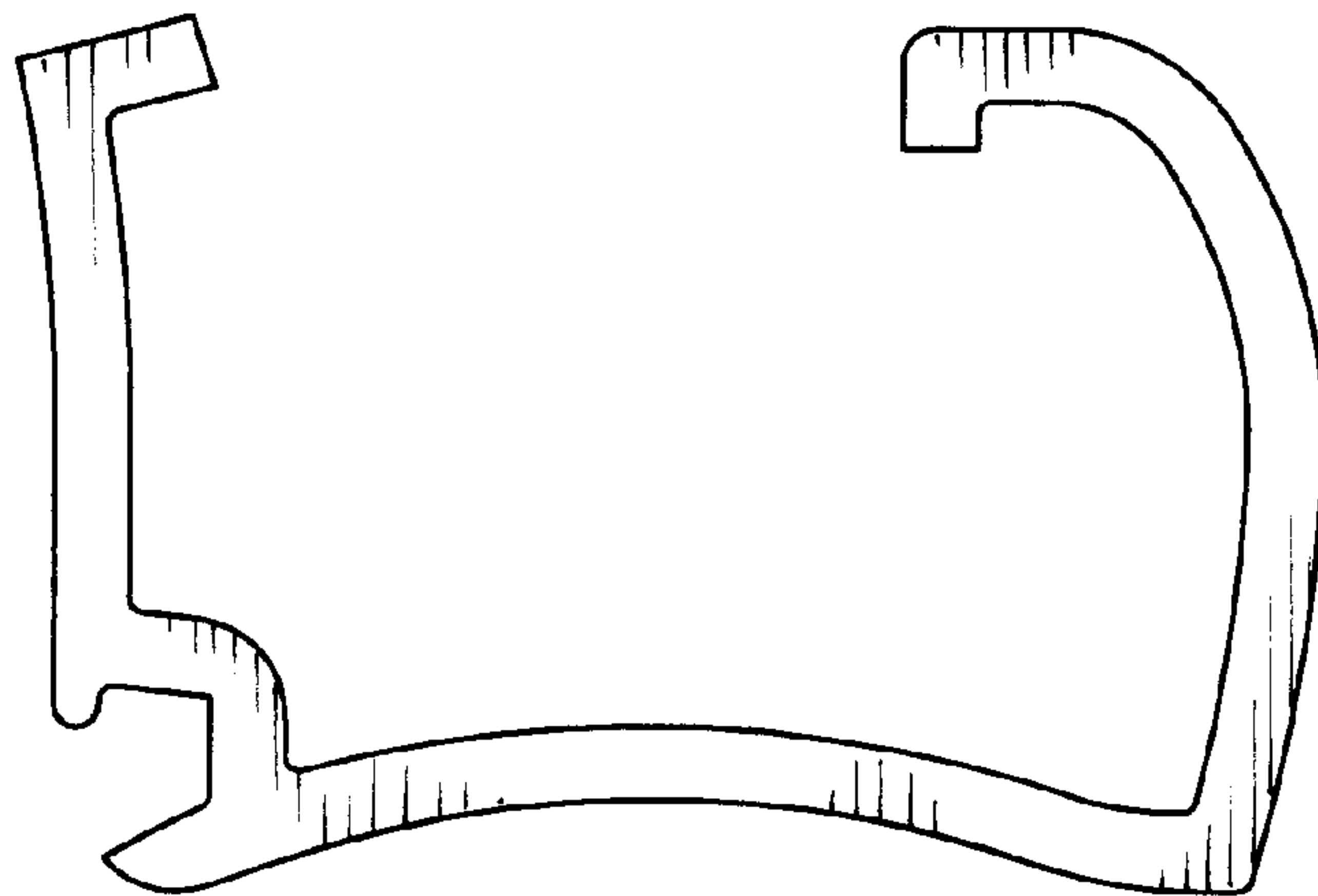


FIG. 4

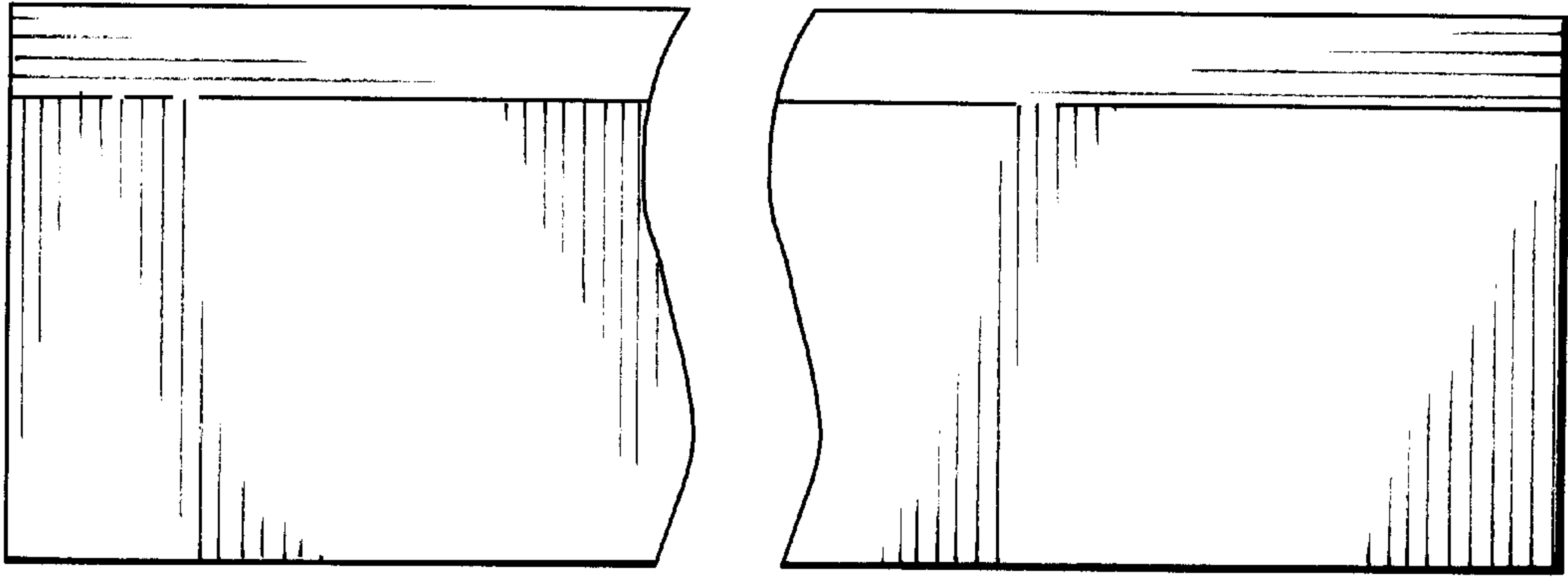


FIG. 5

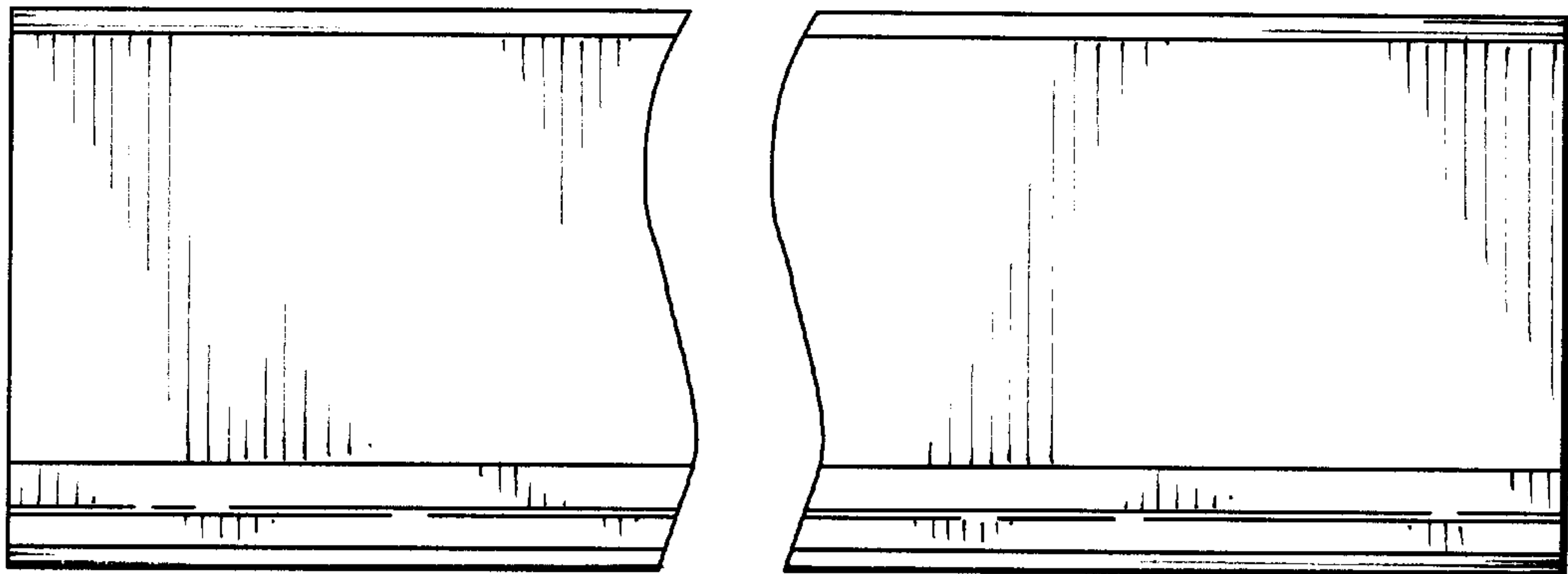


FIG. 6

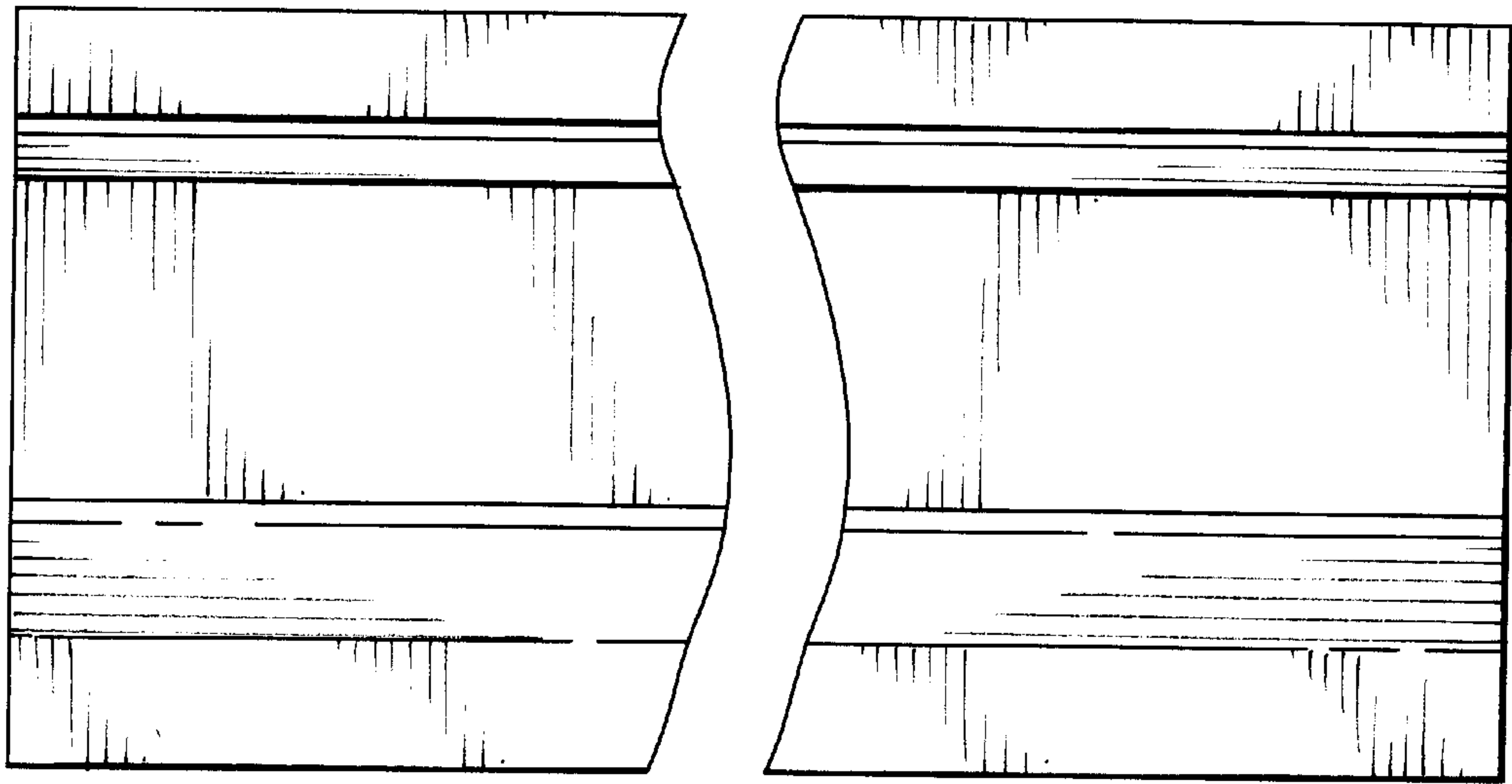


FIG. 7

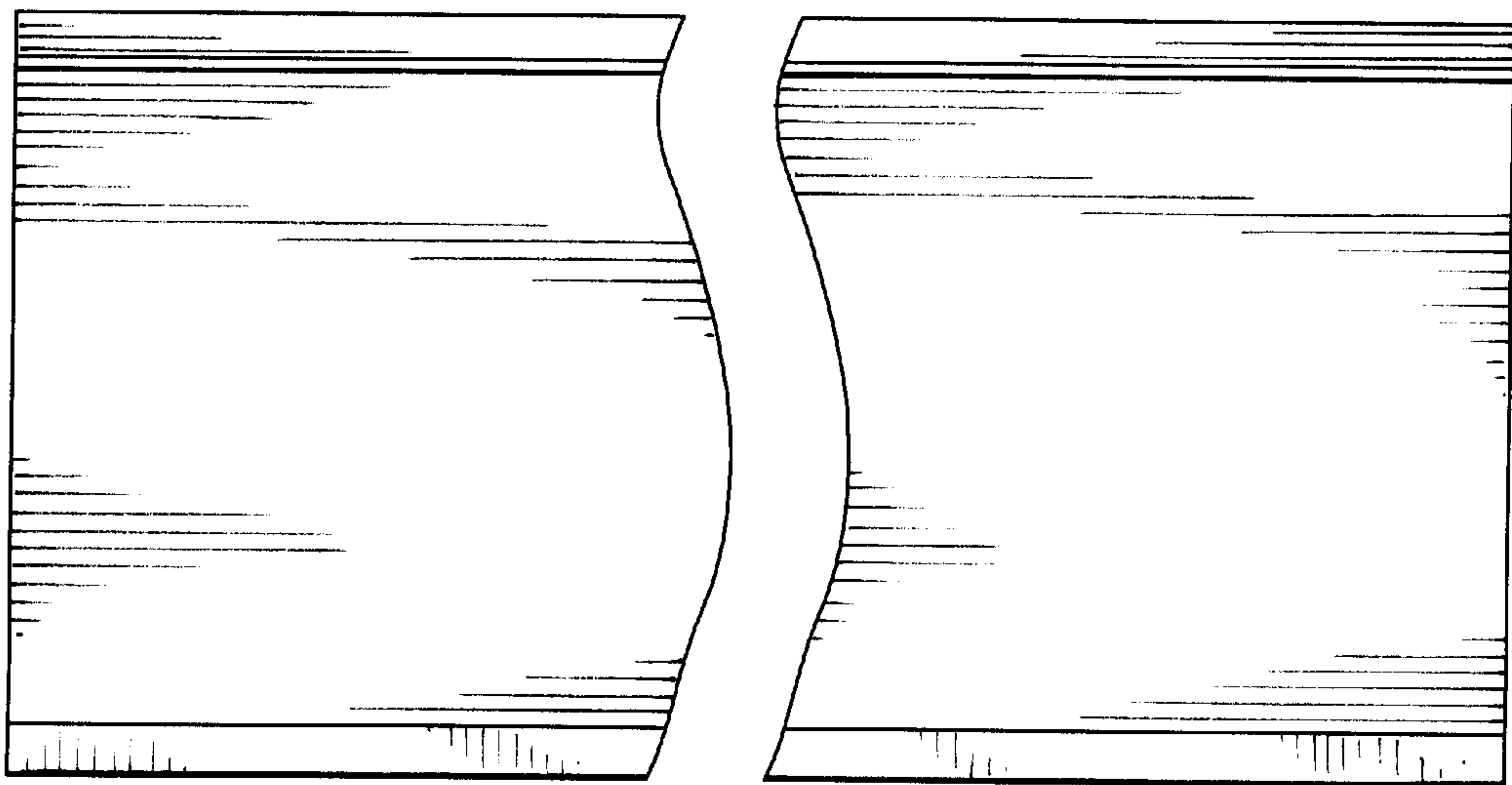


FIG. 8



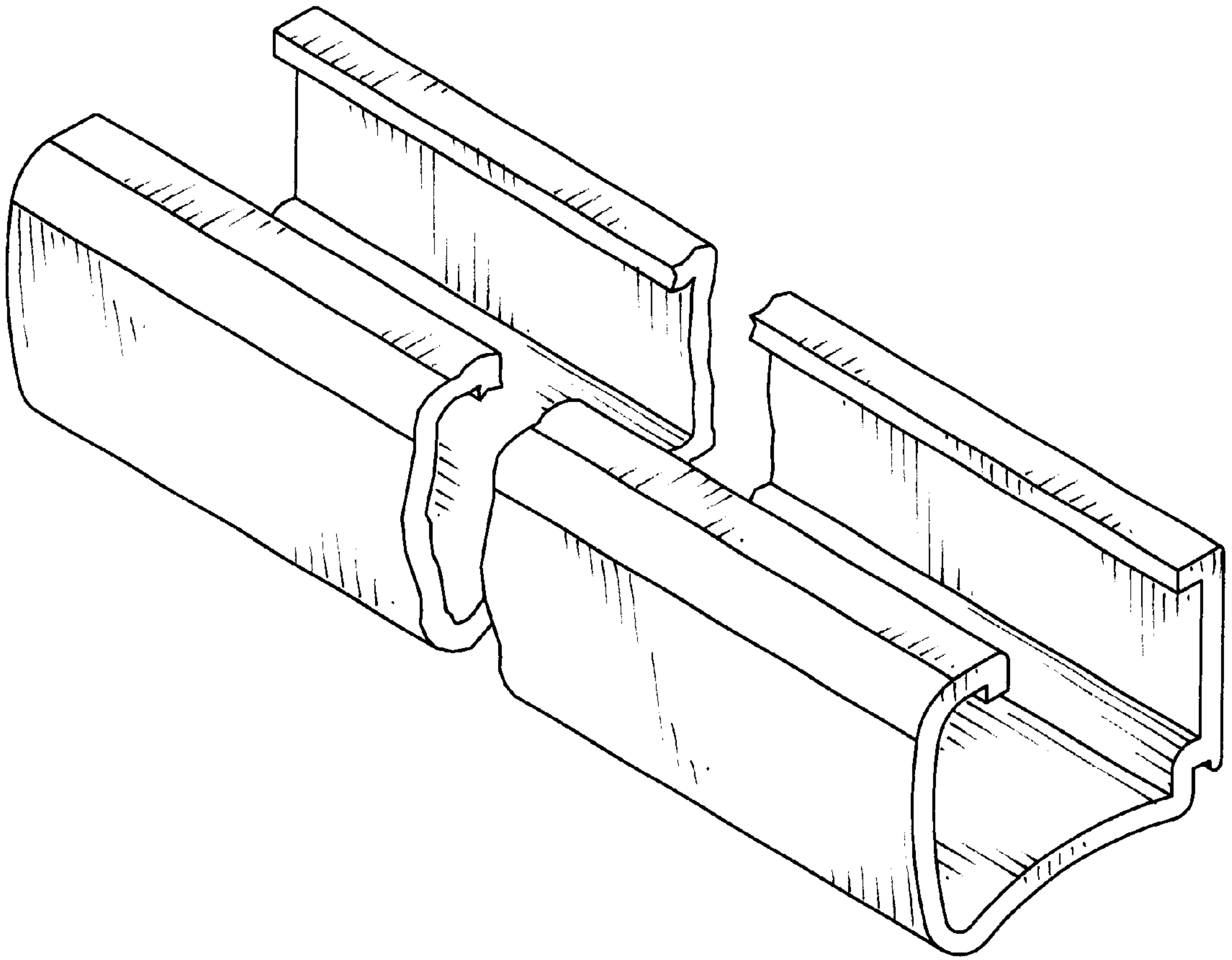


FIG. 9

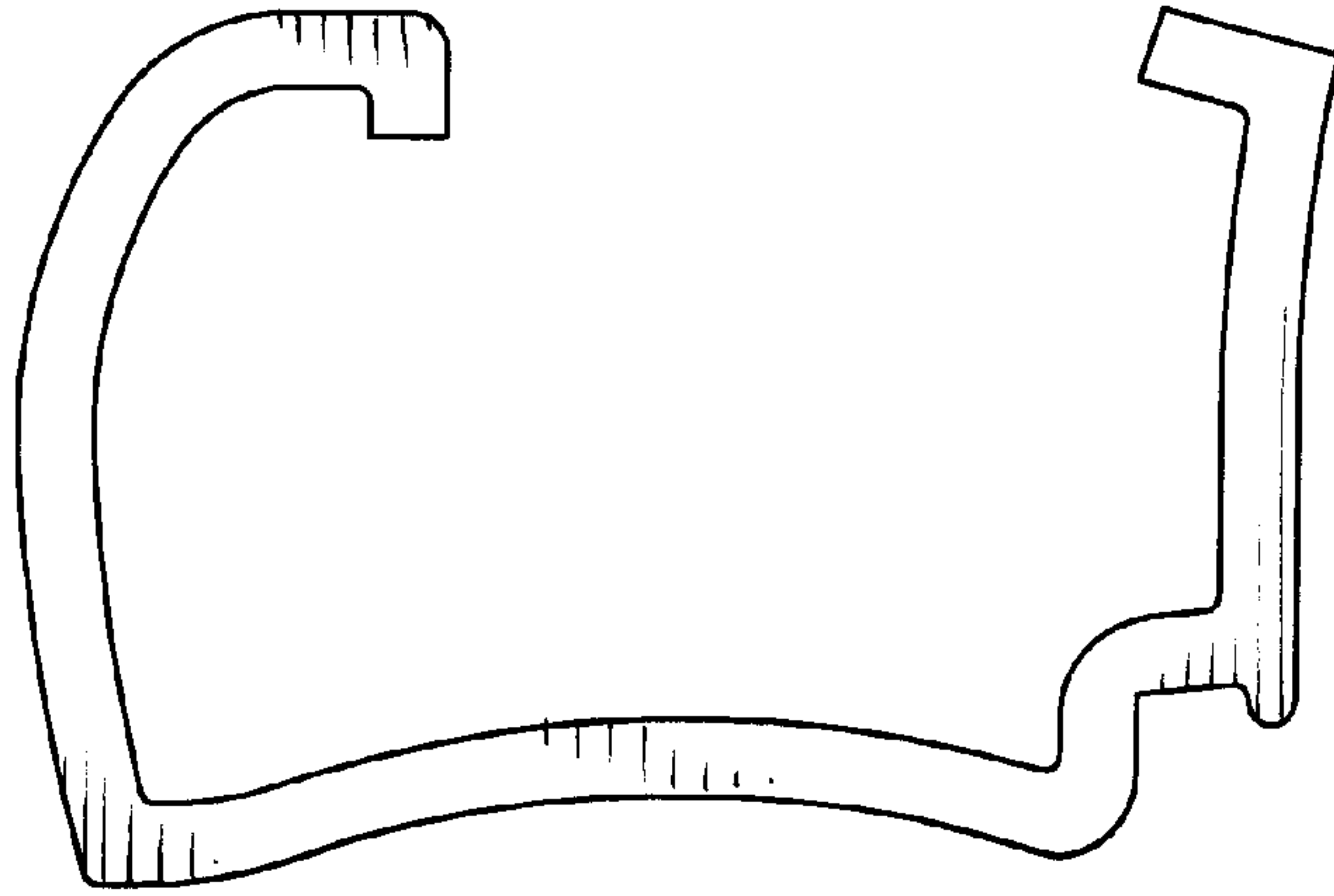


FIG. 10

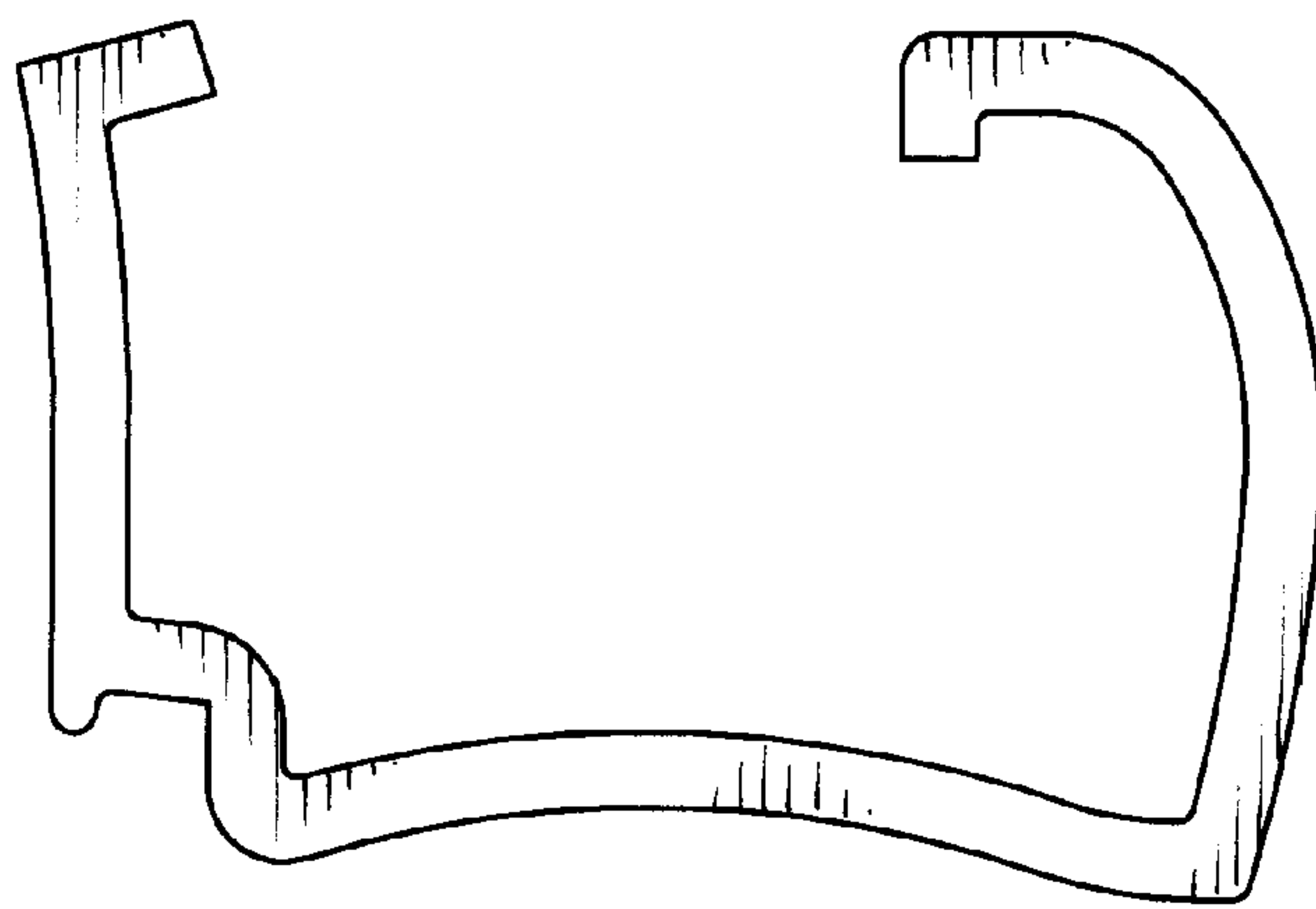


FIG. 11



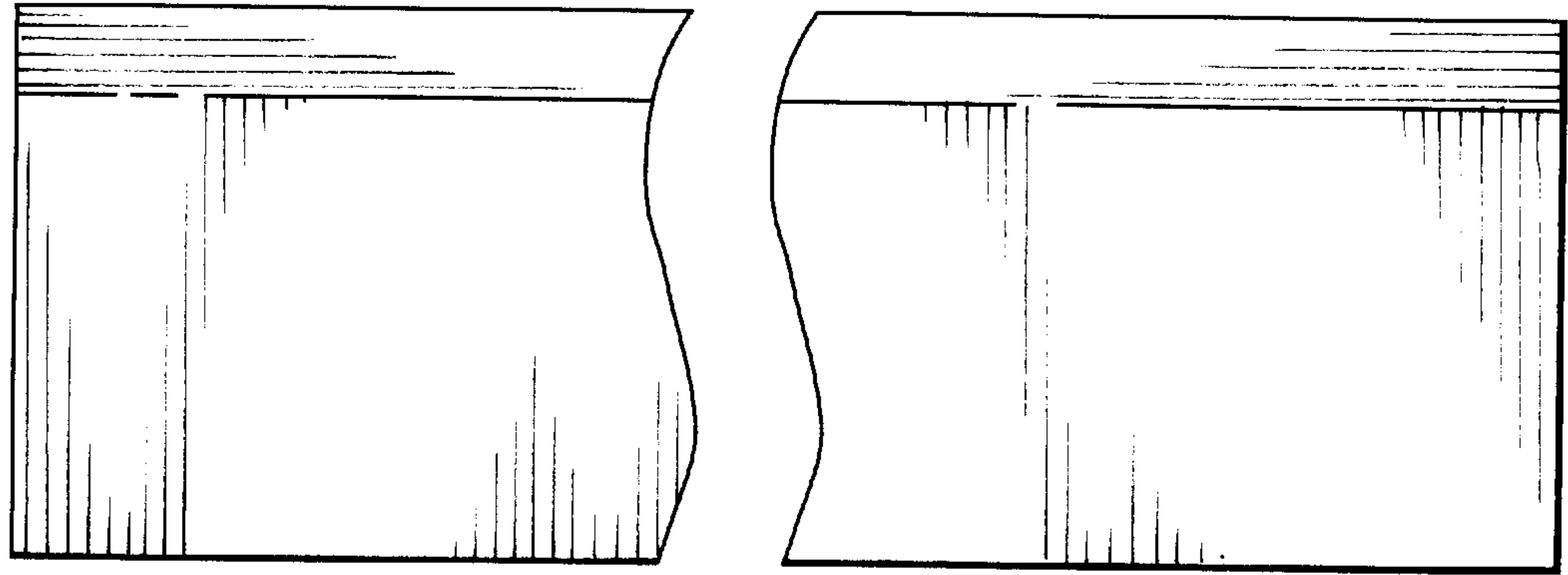


FIG. 12

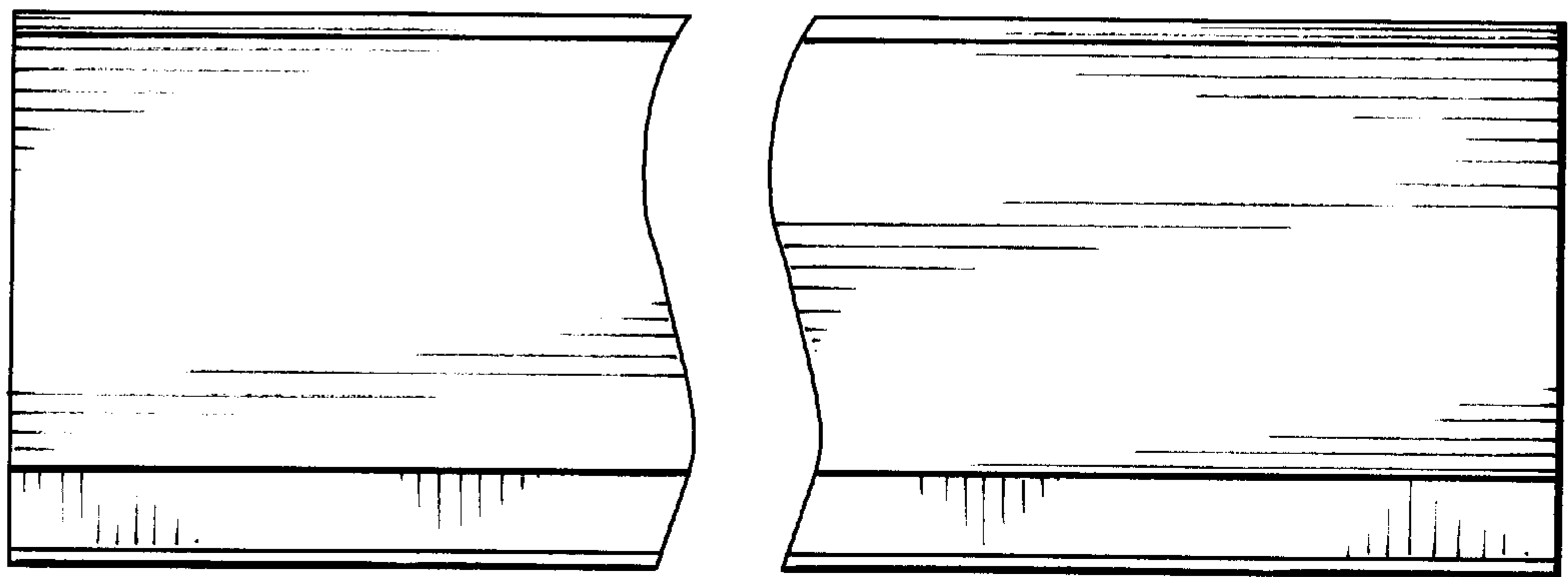


FIG. 13

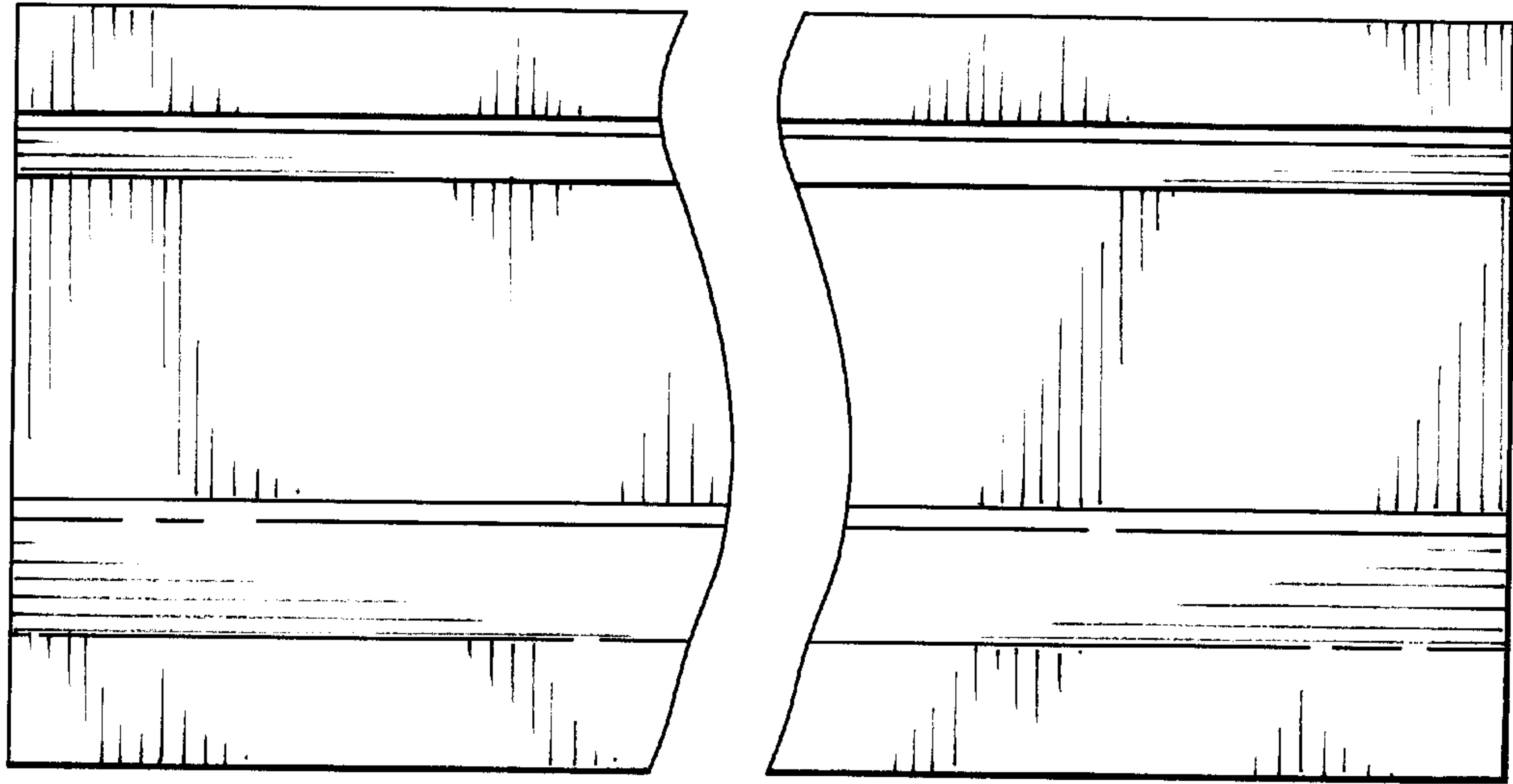


FIG. 14

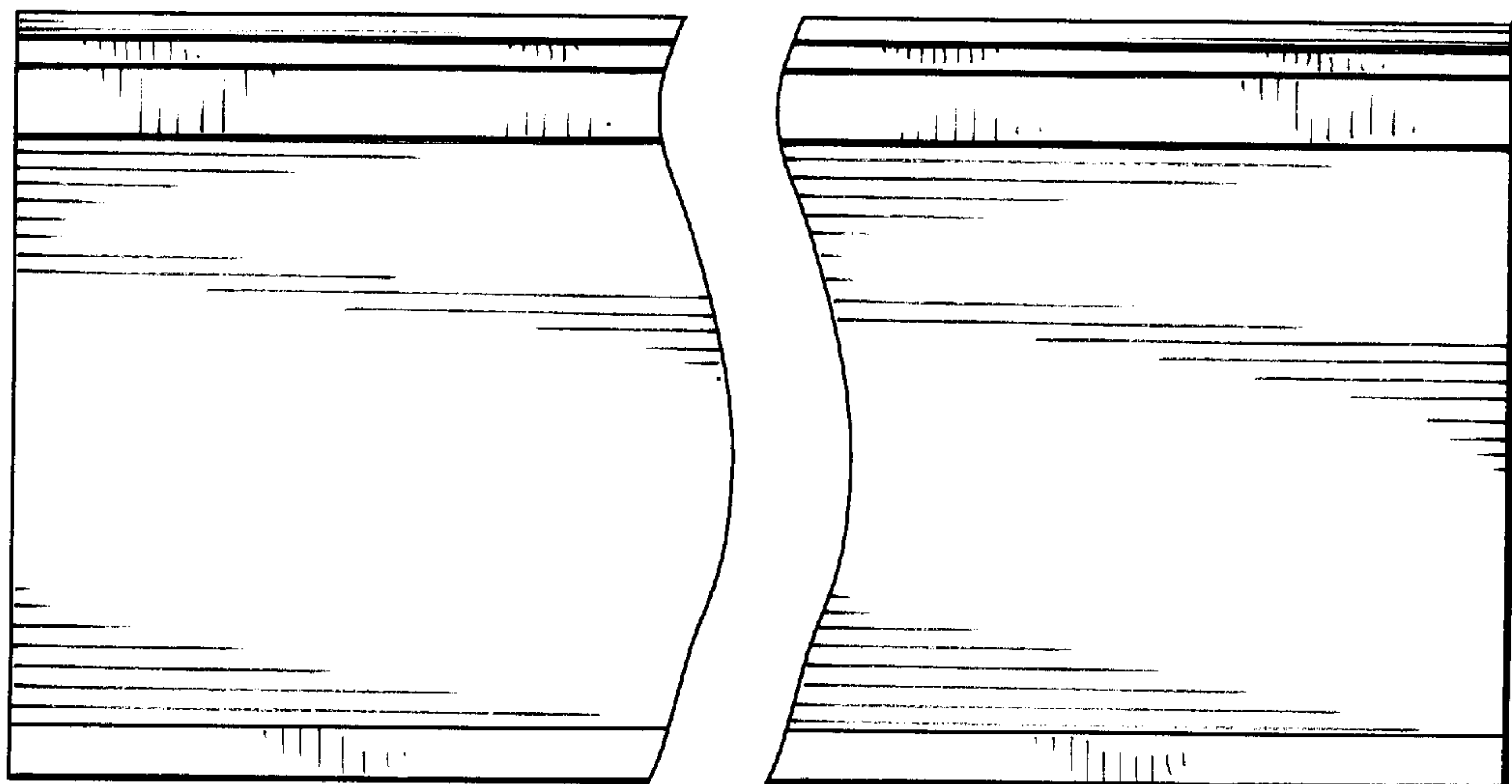


FIG. 15