



US00D488944S

(12) **United States Design Patent**
Hoernig

(10) **Patent No.:** **US D488,944 S**

(45) **Date of Patent:** **** Apr. 27, 2004**

(54) **SOAP DISH**

(75) **Inventor:** **Victor Hoernig**, Lowell, IN (US)

(73) **Assignee:** **Bath Unlimited, Inc.**, Fort Mill, SC (US)

(**) **Term:** **14 Years**

(21) **Appl. No.:** **29/183,980**

(22) **Filed:** **Jun. 19, 2003**

(51) **LOC (7) Cl.** **23-02**

(52) **U.S. Cl.** **D6/540**

(58) **Field of Search** D6/574, 532, 536-540; 211/13.1, 86-88, 126, 134; 248/305.1; 206/77.1

(56) **References Cited**

U.S. PATENT DOCUMENTS

D256,861 S	*	9/1980	Ryan et al.	D6/540
D291,638 S	*	9/1987	Chap	D6/540
D357,837 S	*	5/1995	Kea	D6/540
D408,187 S	*	4/1999	Forcella, Jr.	D6/540

D441,580 S	*	5/2001	Moore	D6/540
D443,779 S	*	6/2001	Moore	D6/540
D449,476 S	*	10/2001	Ingram	D6/540
D451,734 S	*	12/2001	Henderson	D6/540

* cited by examiner

Primary Examiner—Brian N. Vinson

(74) *Attorney, Agent, or Firm*—Edgar A. Zarins; Lloyd D. Doigan

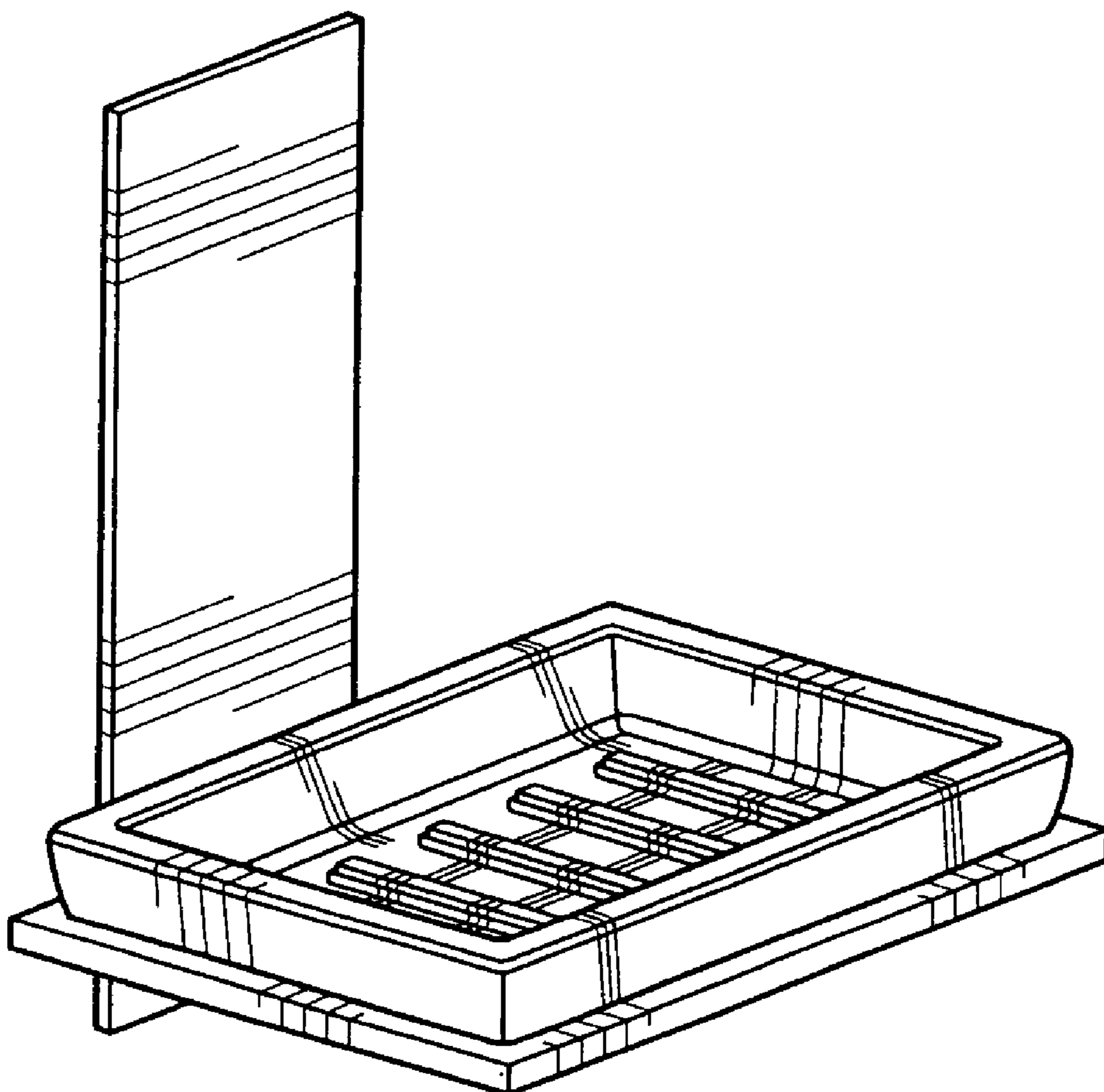
(57) **CLAIM**

The ornamental design for a soap dish, as shown and described.

DESCRIPTION

FIG. 1 is a perspective view of a soap dish showing my new design;
FIG. 2 is a front elevational view thereof;
FIG. 3 is a right side view thereof, the opposite side being a mirror image of the end shown;
FIG. 4 is a top plan view thereof; and,
FIG. 5 is a bottom plan view thereof.

1 Claim, 1 Drawing Sheet



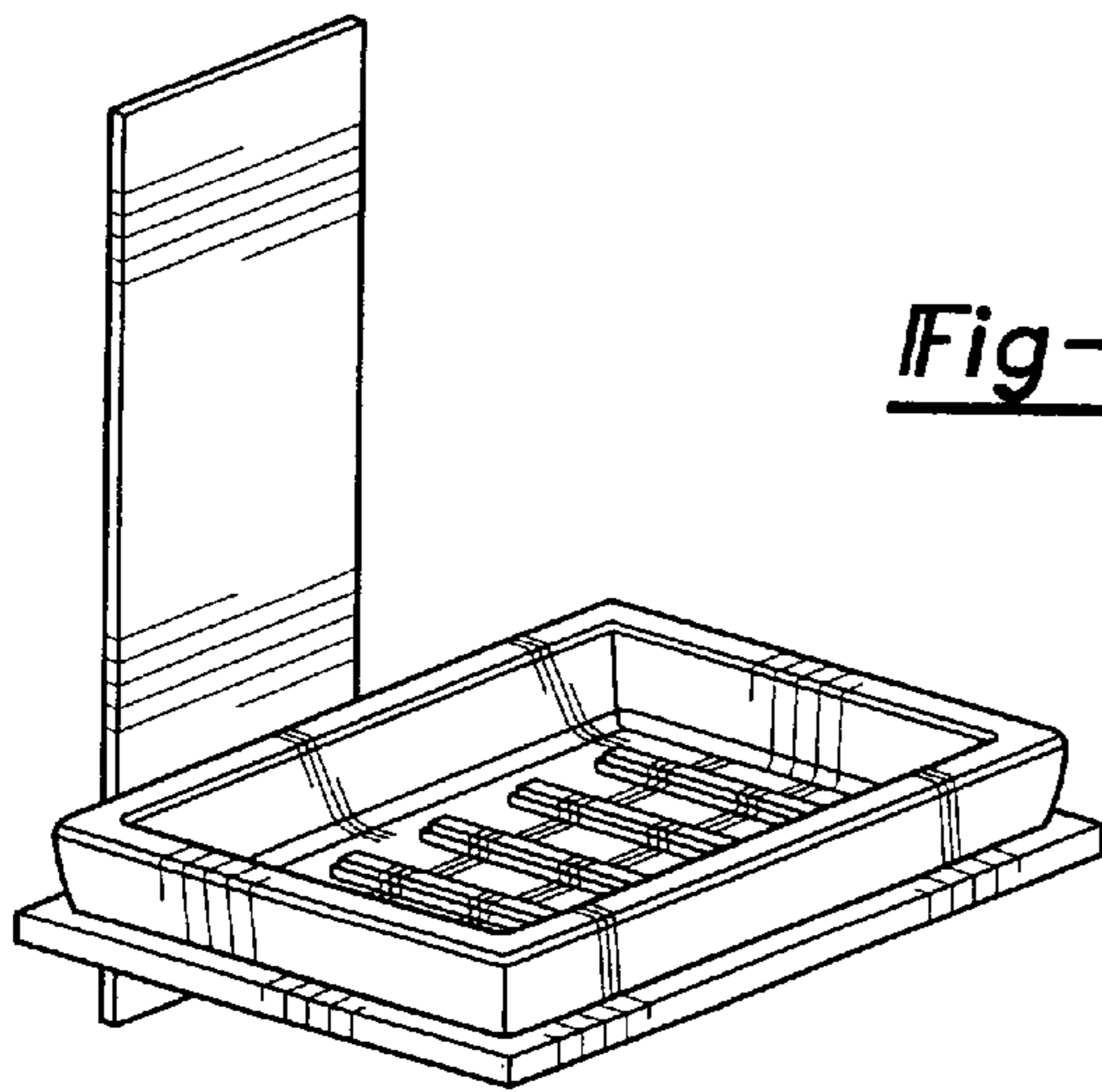


Fig-1

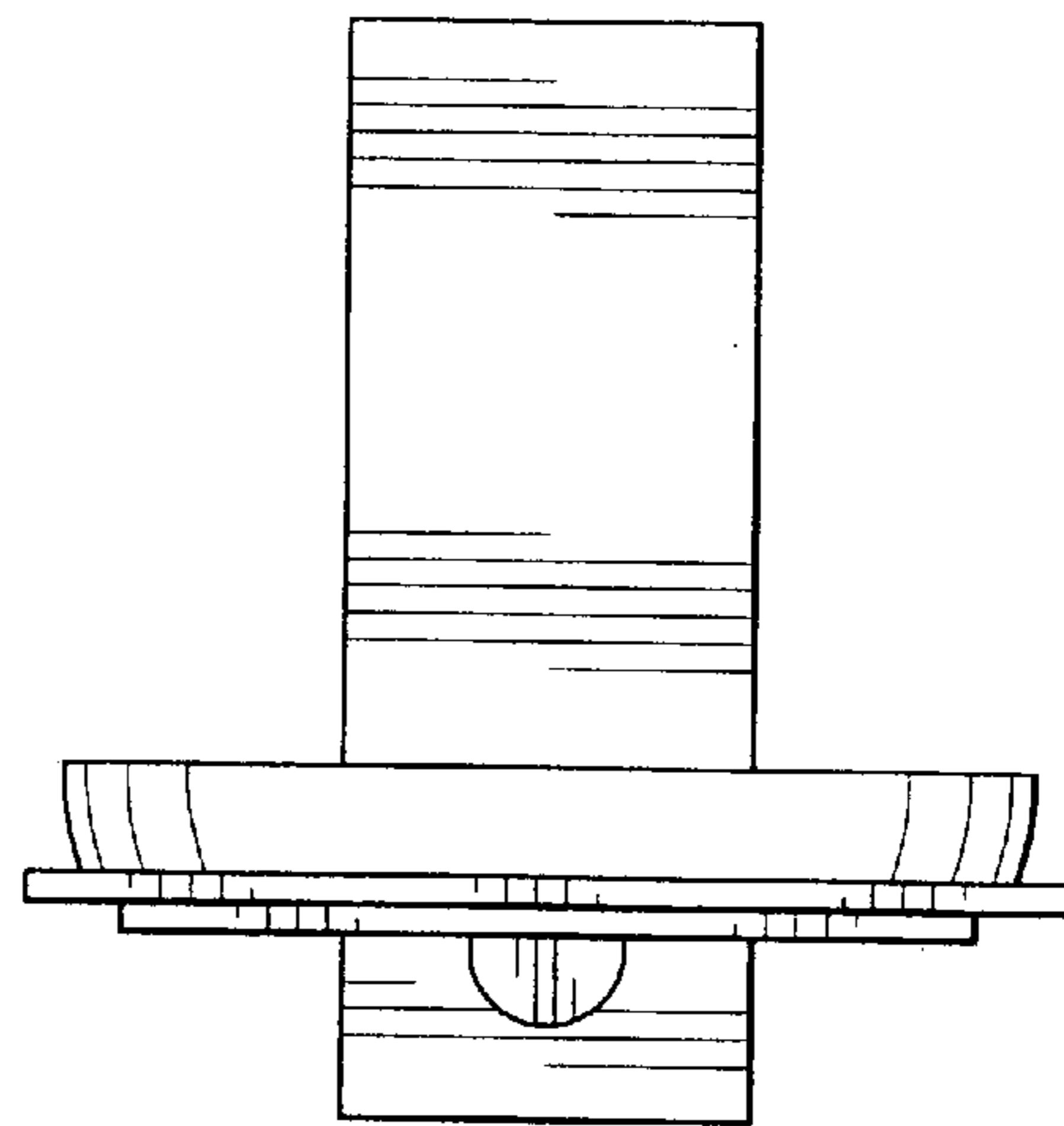


Fig-2

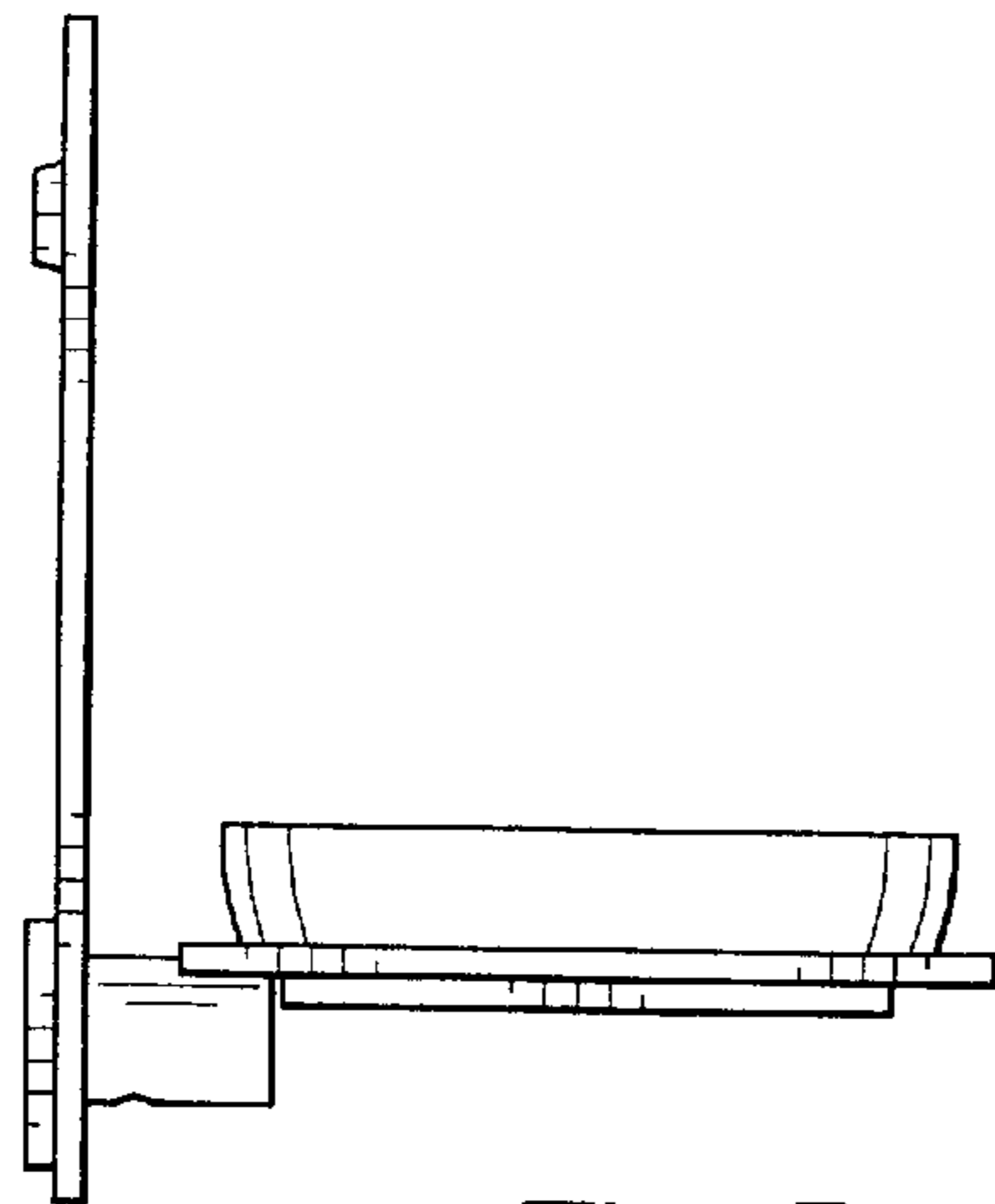


Fig-3

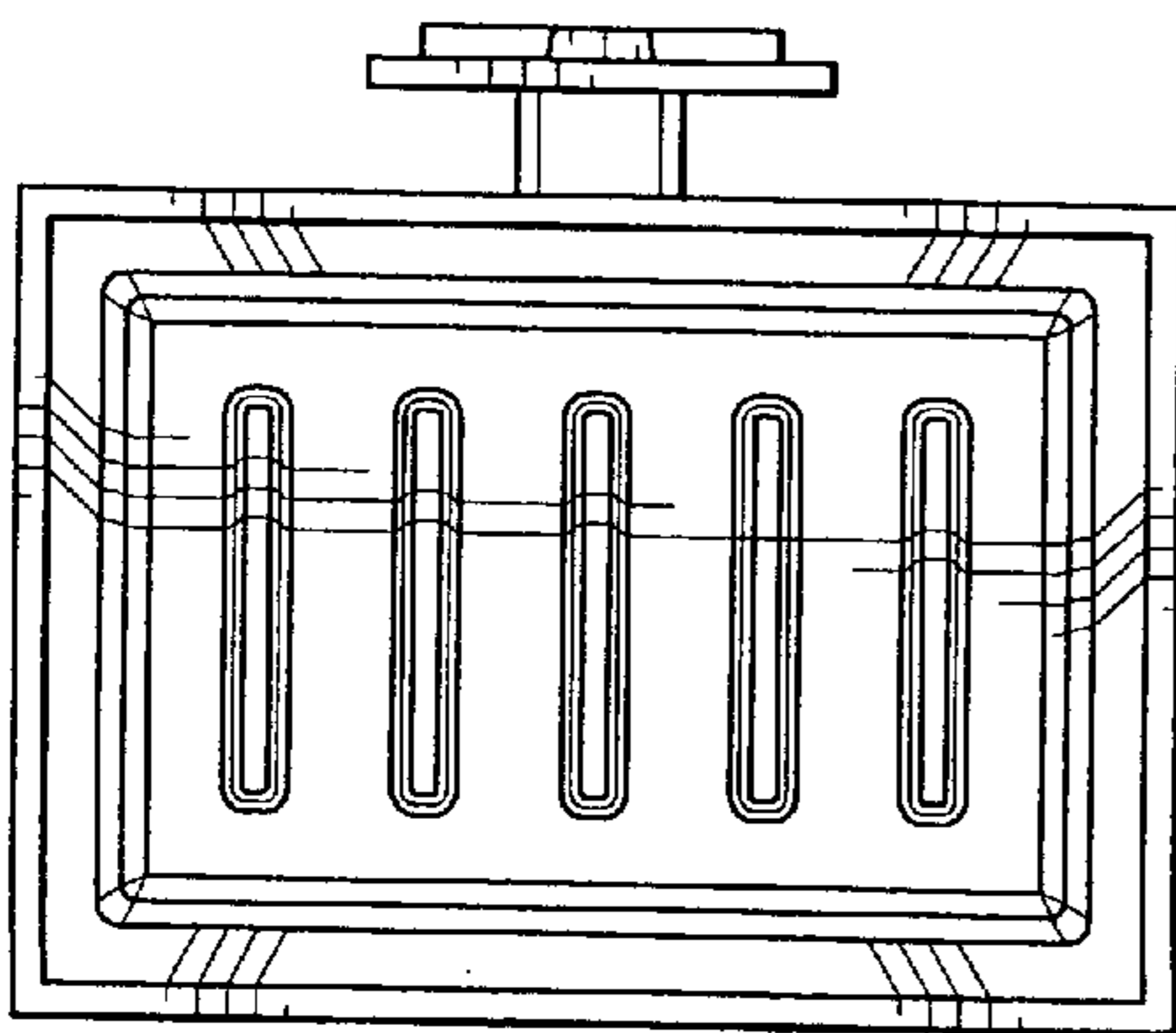


Fig-4

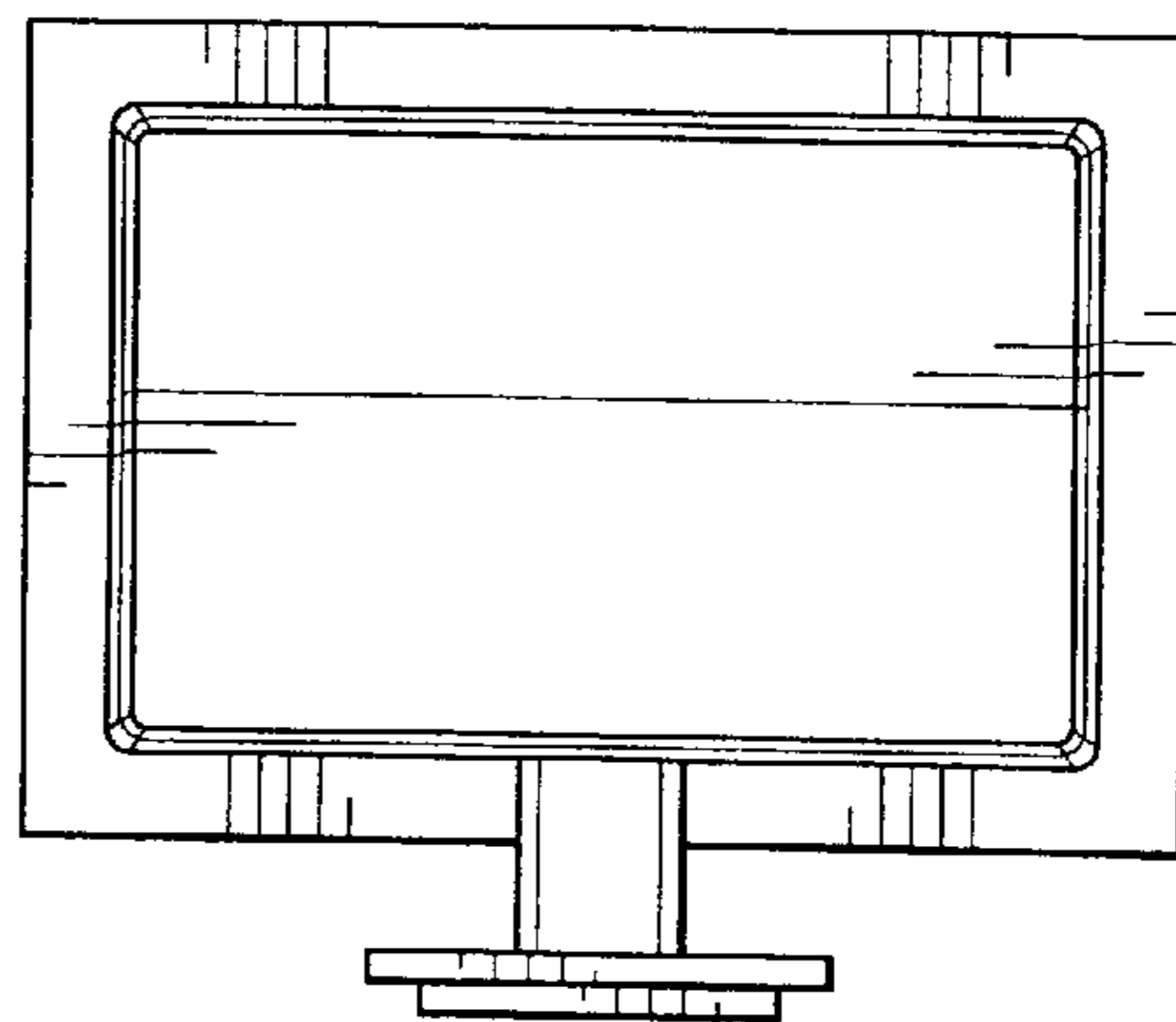


Fig-5