



US00D488943S

(12) **United States Design Patent**  
**Bates**

(10) **Patent No.:** **US D488,943 S**

(45) **Date of Patent:** **\*\* \*Apr. 27, 2004**

(54) **FITTING FOR A WALL MOUNTABLE ACCESSORY**

(75) Inventor: **Michael R. Bates**, Sheboygan, WI (US)

(73) Assignee: **Kohler Co.**, Kohler, WI (US)

(\* ) Notice: This patent is subject to a terminal disclaimer.

(\*\*) Term: **14 Years**

(21) Appl. No.: **29/158,621**

(22) Filed: **Apr. 4, 2002**

(51) **LOC (7) Cl.** ..... **06-02**

(52) **U.S. Cl.** ..... **D6/524; D8/367; D6/550**

(58) **Field of Search** ..... D8/367, 369, 371, D8/372; D6/523, 323, 547, 580, 550, 524; 248/489, 301-304, 339, 215, 218.1, 216.1, 467; 160/348; 211/60.1, 13.1, 65-66, 106.01

(56) **References Cited**

**U.S. PATENT DOCUMENTS**

D362,615 S	*	9/1995	Shames et al.	.....	D8/367
D409,398 S	*	5/1999	Sweetman	.....	D6/323
D448,654 S	*	10/2001	Snell	.....	D8/367
D451,687 S	*	12/2001	Sun et al.	.....	D6/323

\* cited by examiner

*Primary Examiner*—Pamela Burgess

(74) *Attorney, Agent, or Firm*—Quarles & Brady LLP

(57) **CLAIM**

The ornamental design for a fitting for a wall mountable accessory, as shown and described.

**DESCRIPTION**

In a preferred embodiment, the nature of this product is as a fitting in the form of a wall mountable escutcheon and rod which is primarily useful for supporting various bathroom accessories.

FIG. 1 is a left, front perspective view of a fitting for a wall mountable accessory embodying my new design;

FIG. 2 is a top plan view thereof;

FIG. 3 is a front elevational view thereof;

FIG. 4 is a left side elevational view thereof, the right side elevational view being a mirror image of the left side shown;

FIG. 5 is bottom plan view thereof;

FIG. 6 is a left, front perspective view of a second embodiment;

FIG. 7 is a top plan view thereof;

FIG. 8 is a front elevational view thereof;

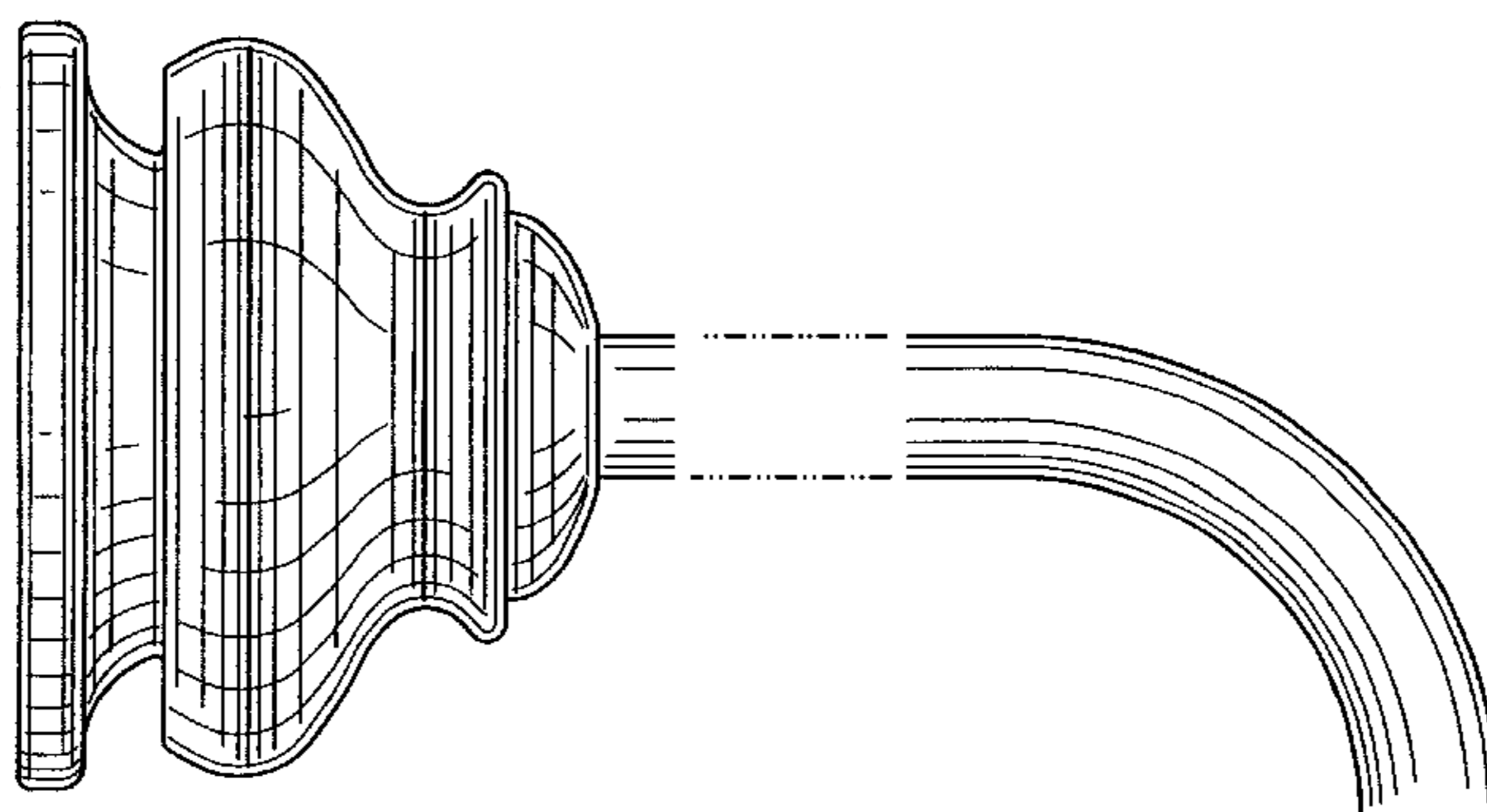
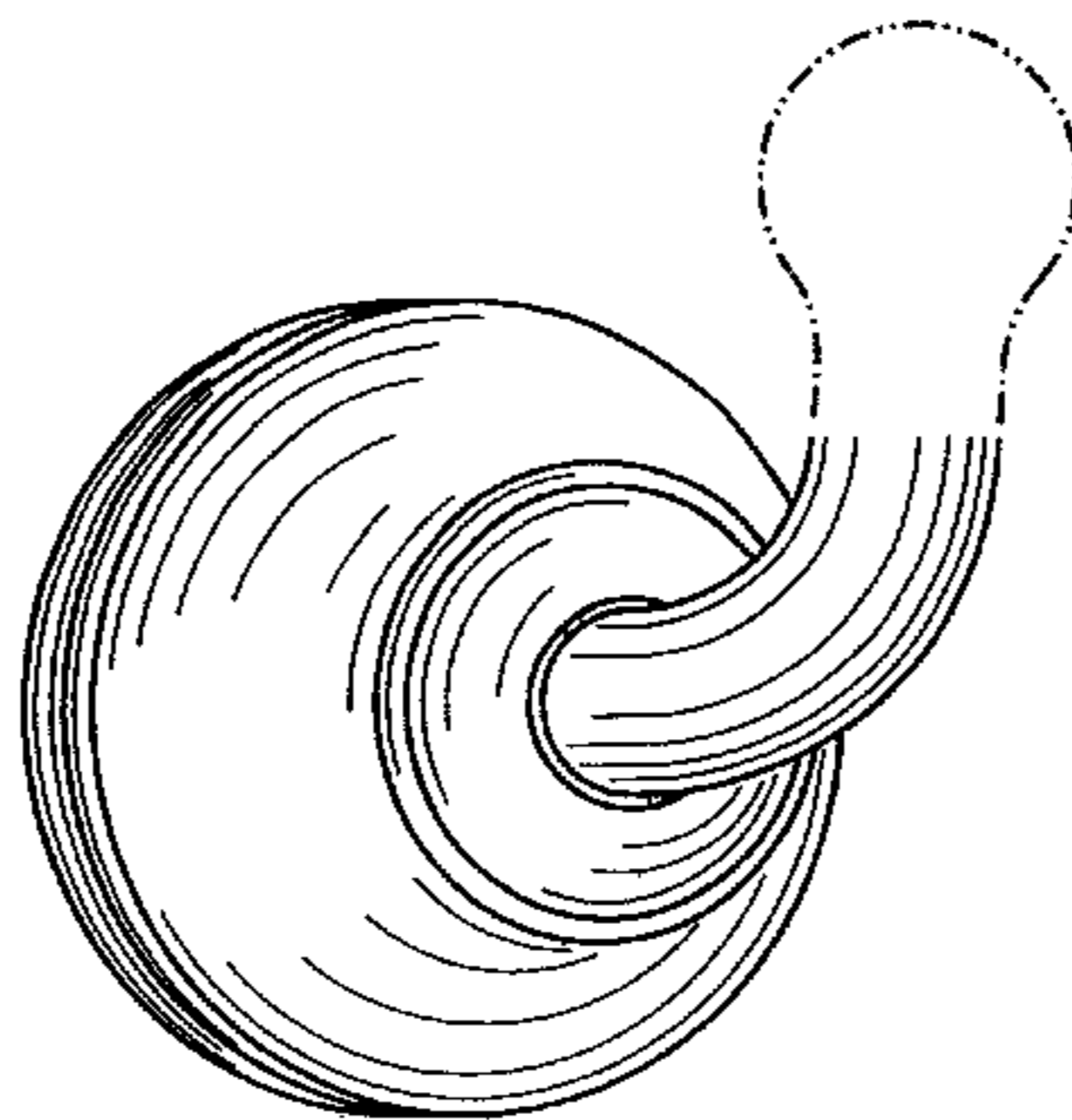
FIG. 9 is a left side elevational view thereof; and,

FIG. 10 is a right side elevational view thereof.

The broken line representations of a rod end in FIGS. 6-9, and of knobs in FIGS. 1-5, are for the purpose of illustration only, and form no part of the claimed design.

The broken line representation of a rod in FIGS. 7, 9, and 10 is intended to represent variable length section members of the rod which may vary in length from ten percent to two times of the escutcheon width.

**1 Claim, 6 Drawing Sheets**



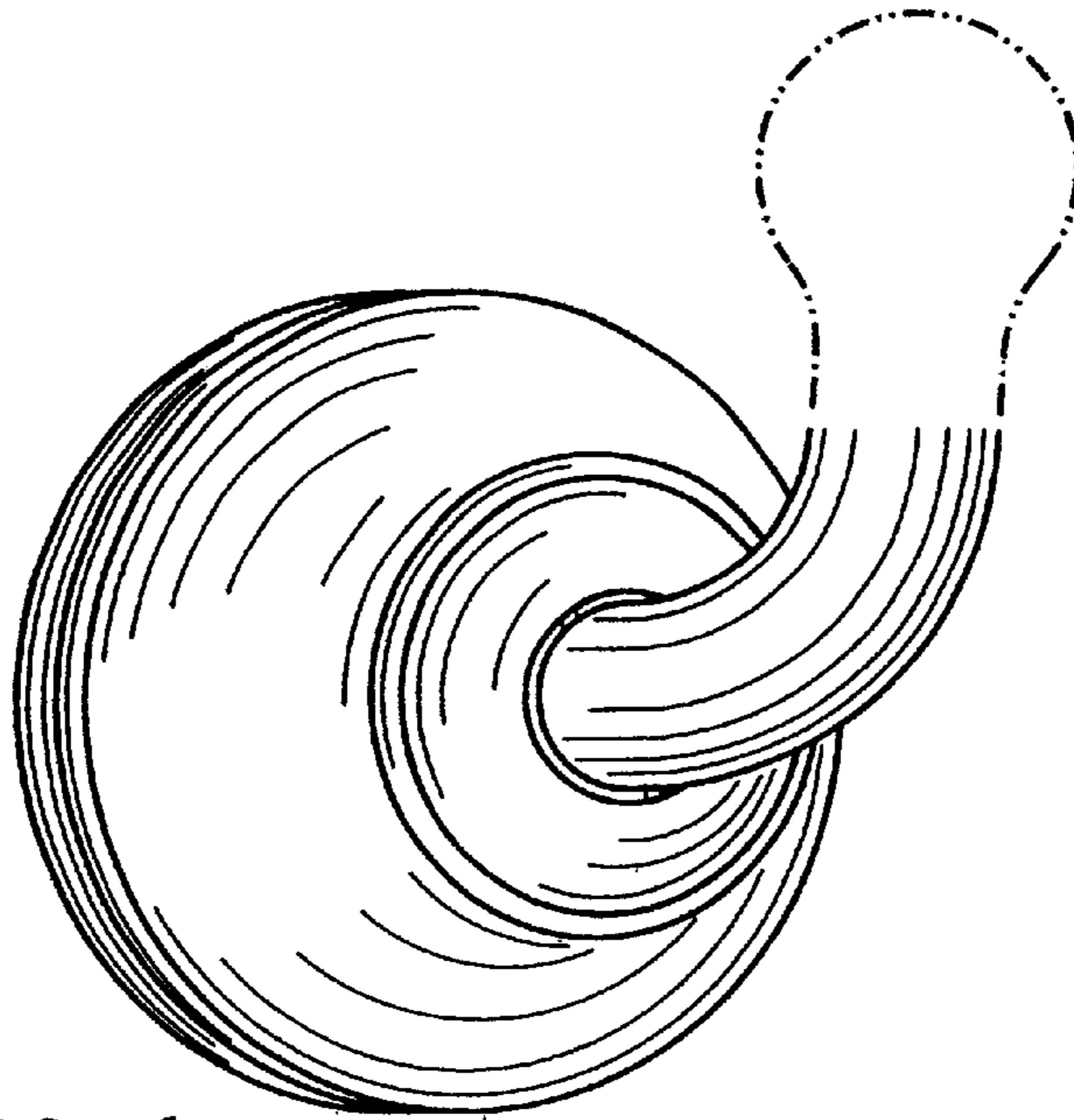


FIG. 1

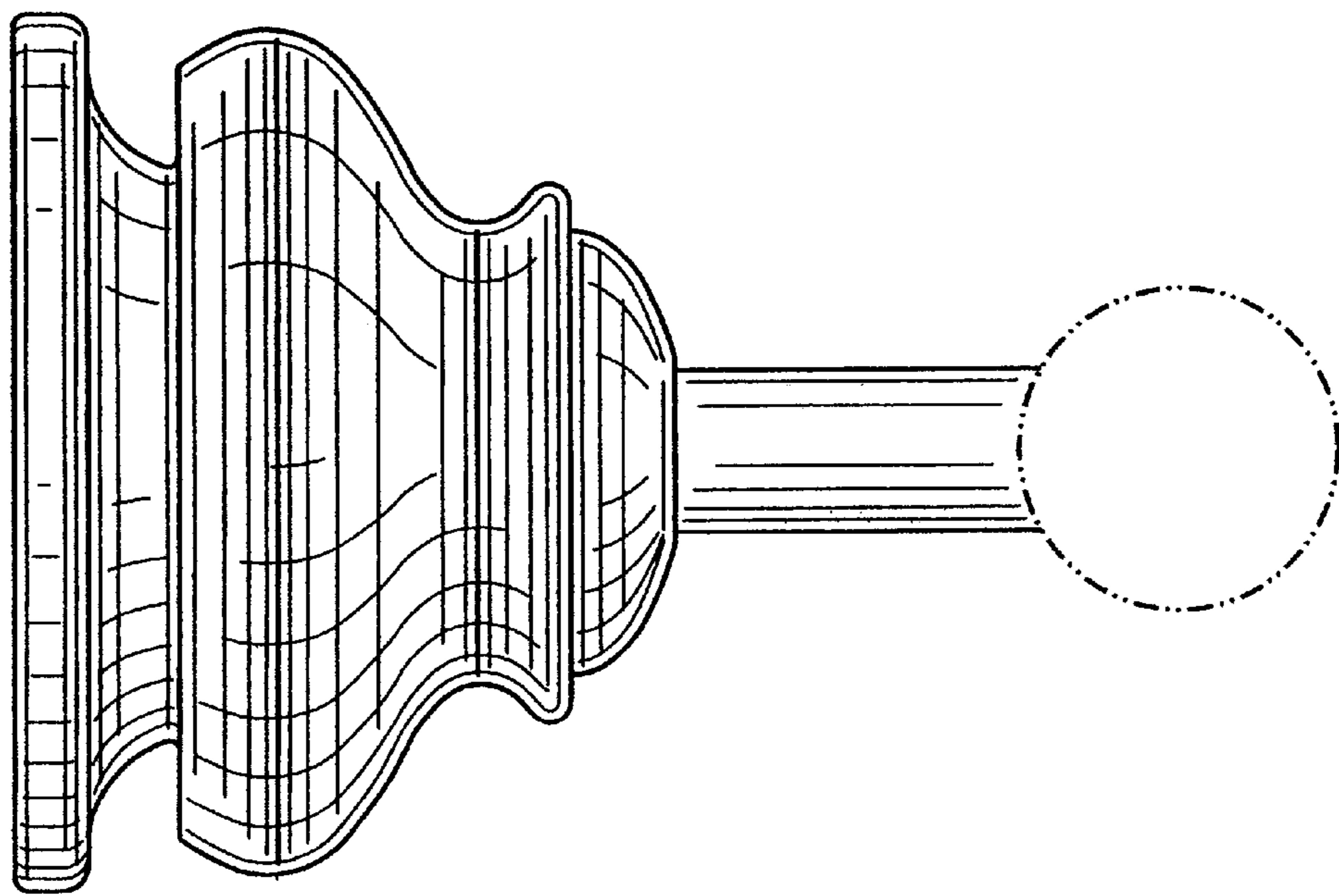


FIG. 2

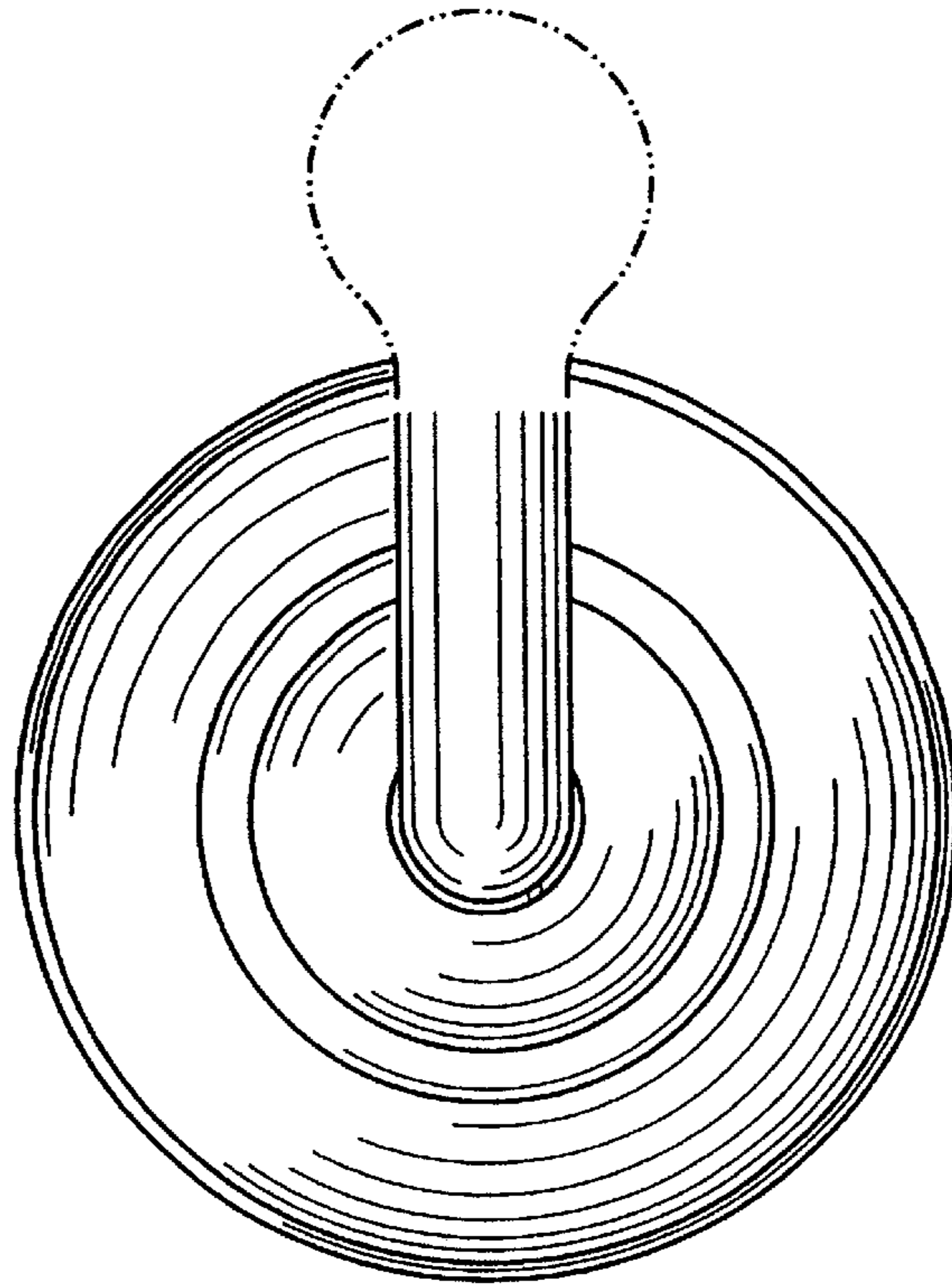


FIG. 3

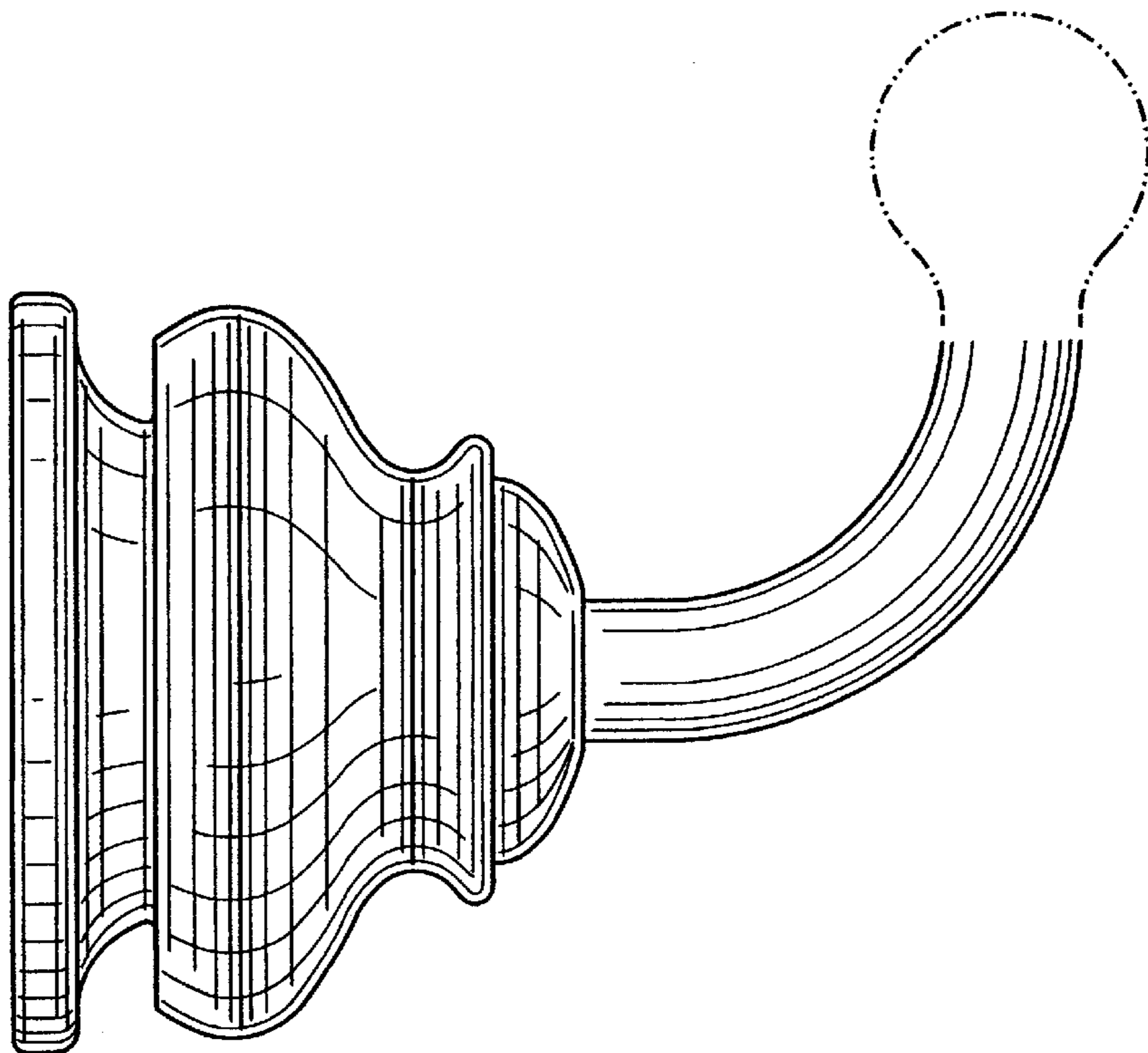


FIG. 4

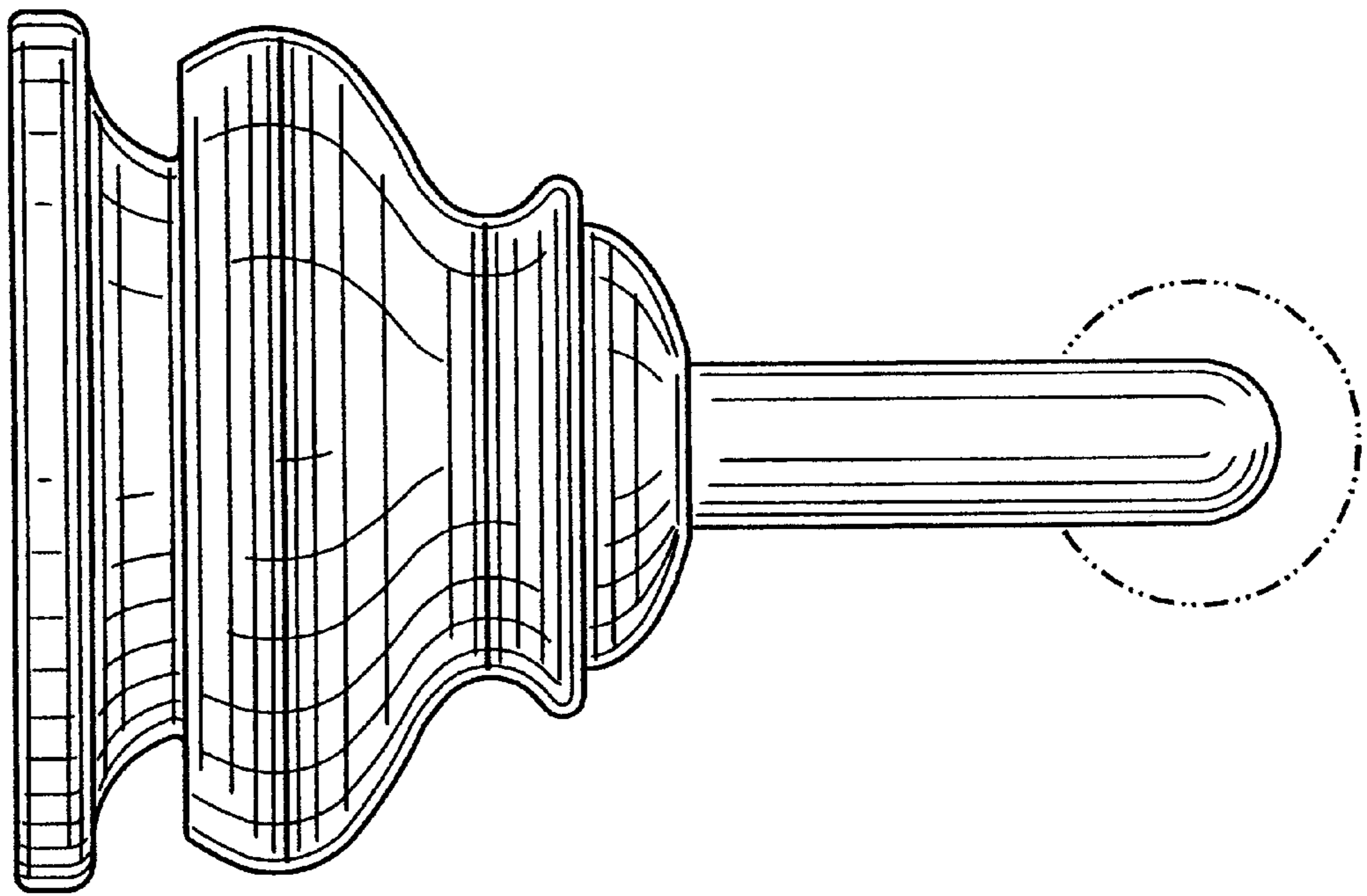


FIG. 5



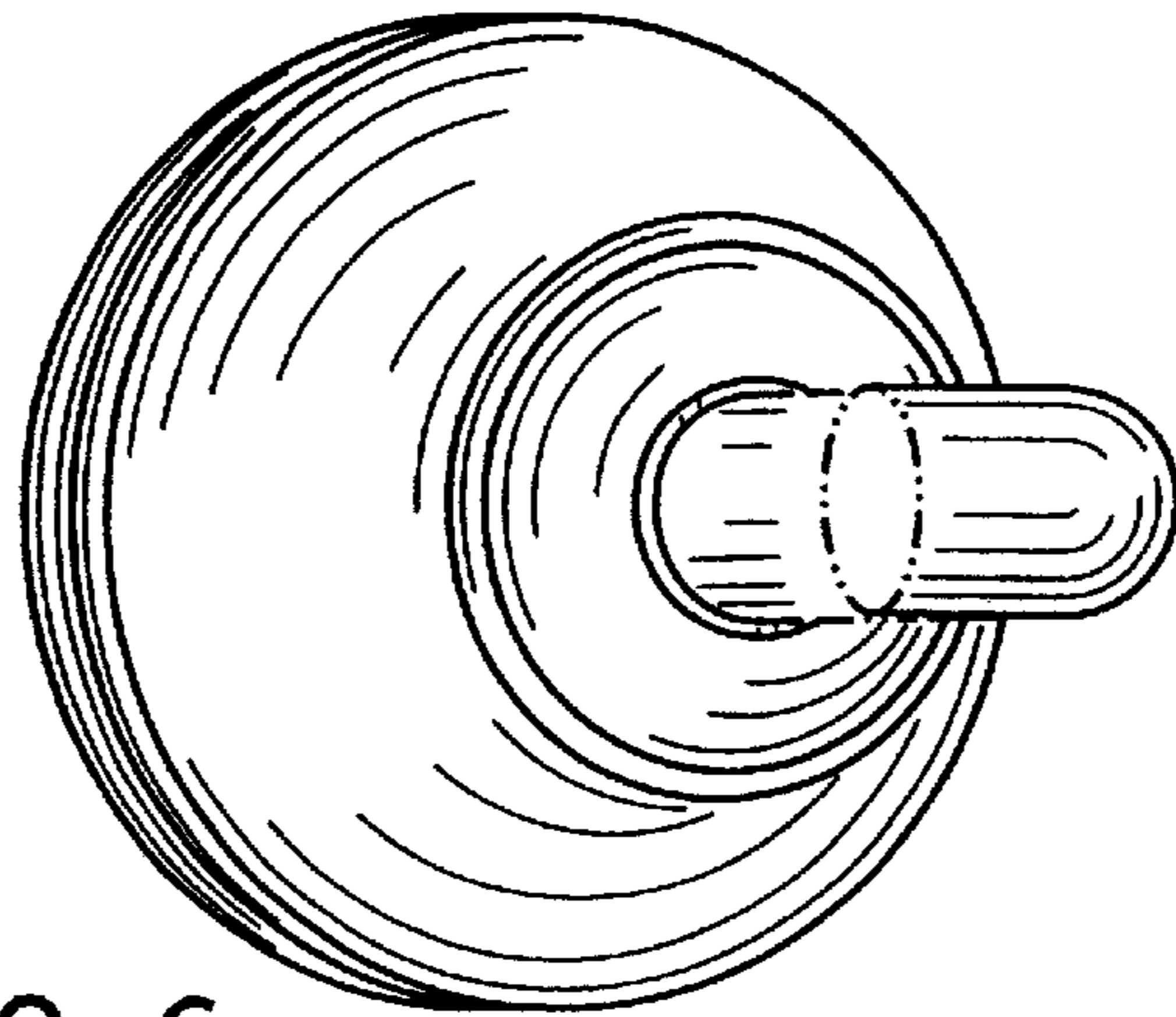


FIG. 6

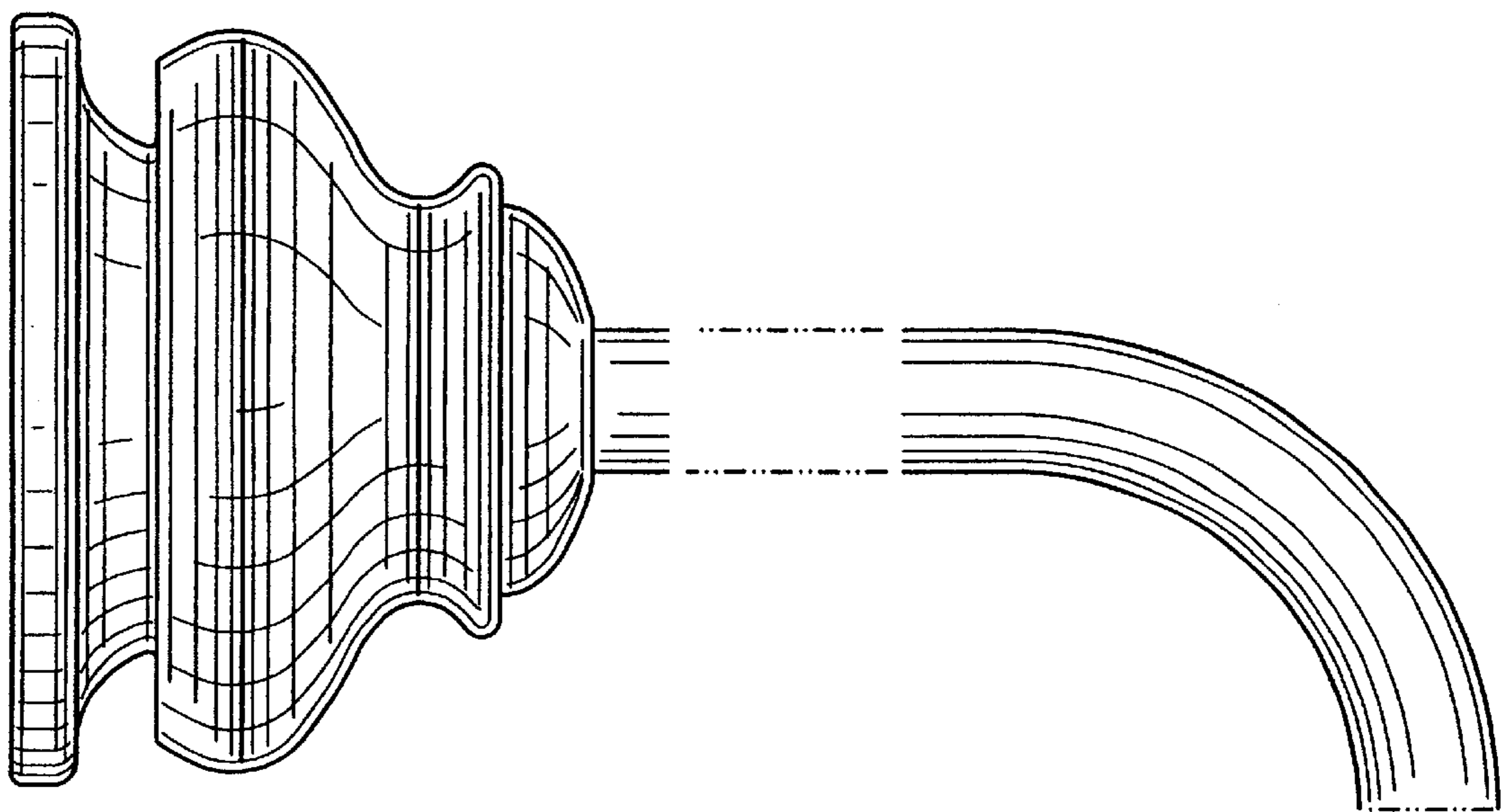


FIG. 7

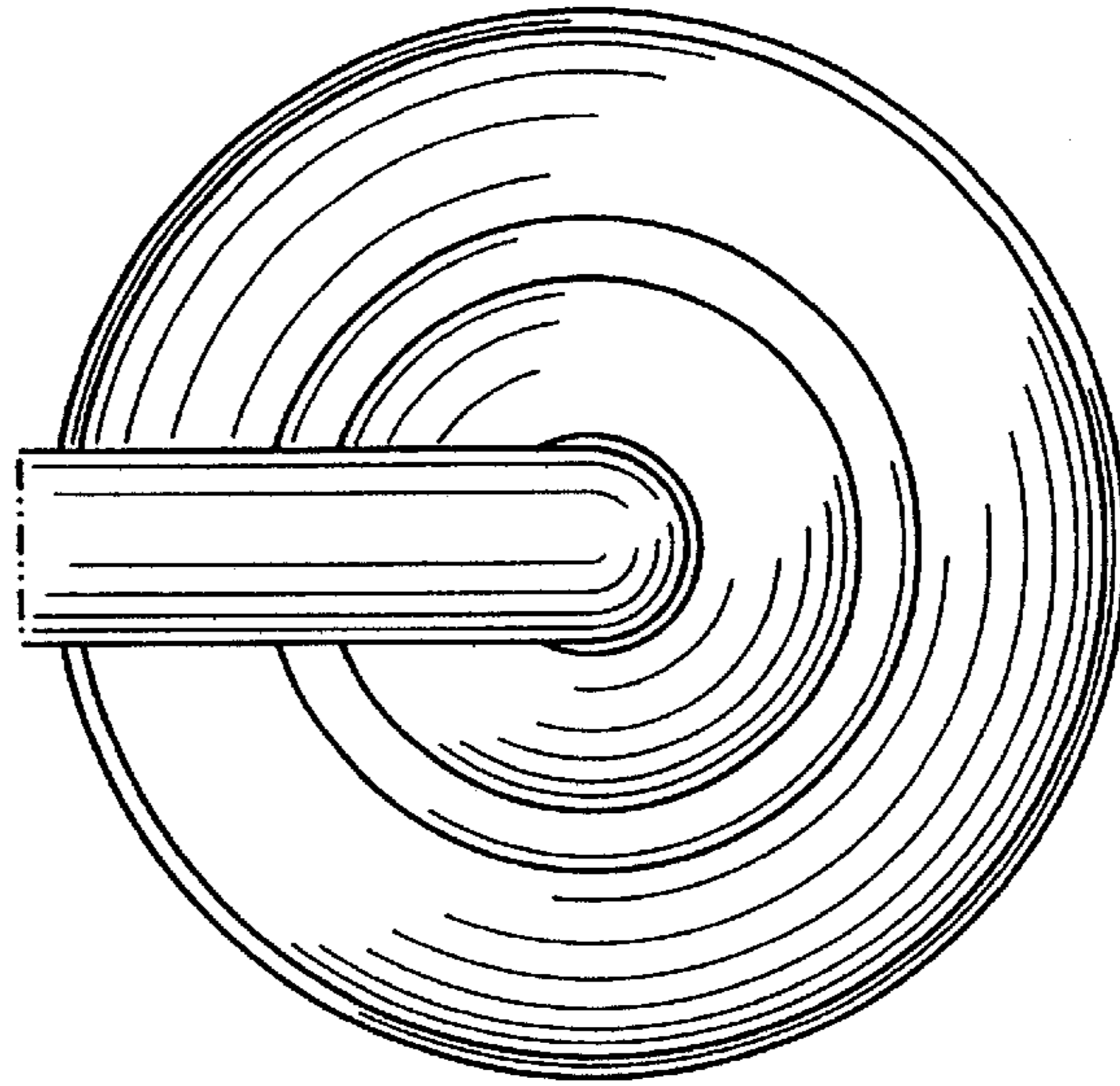


FIG. 8

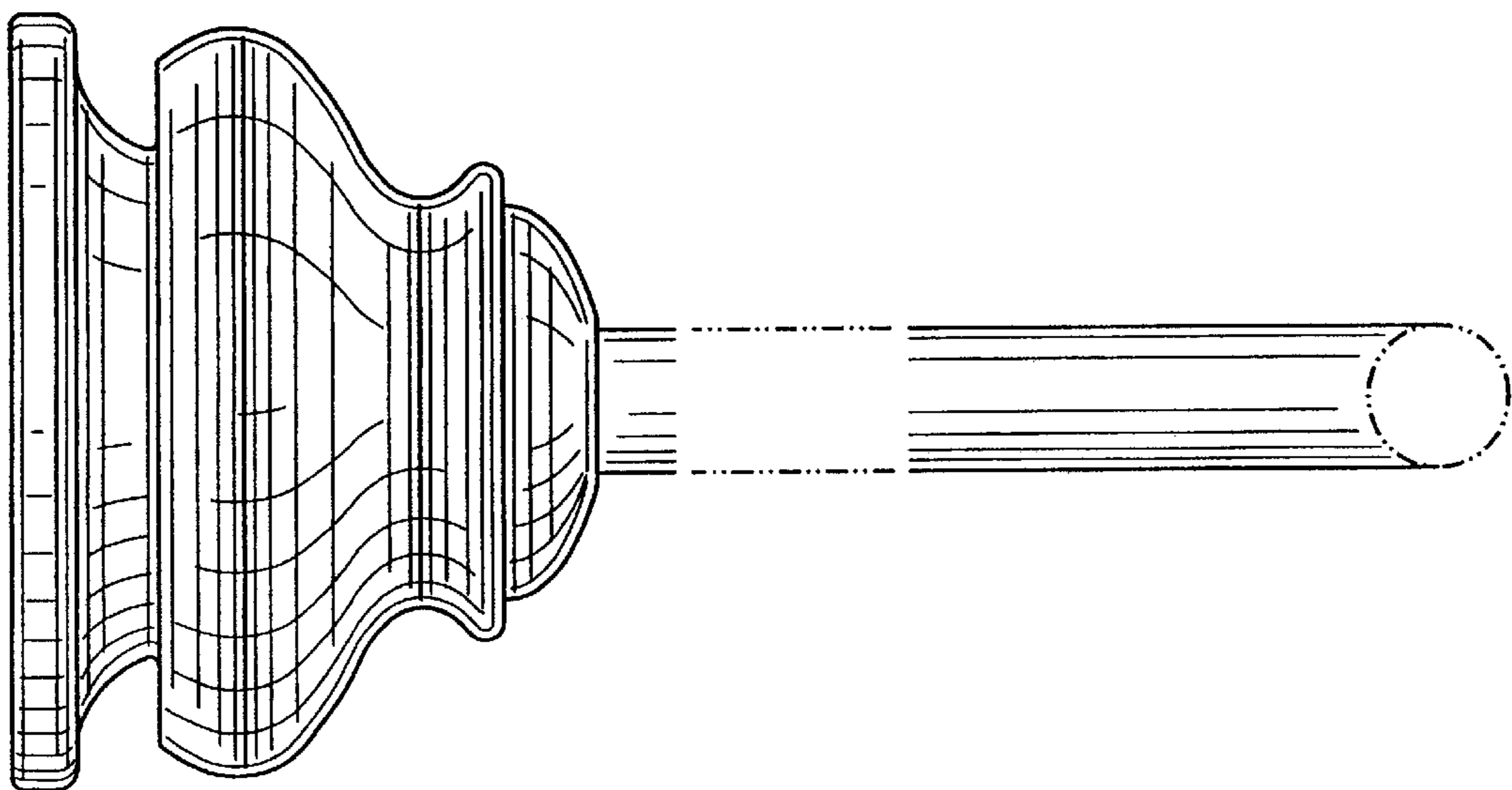


FIG. 9

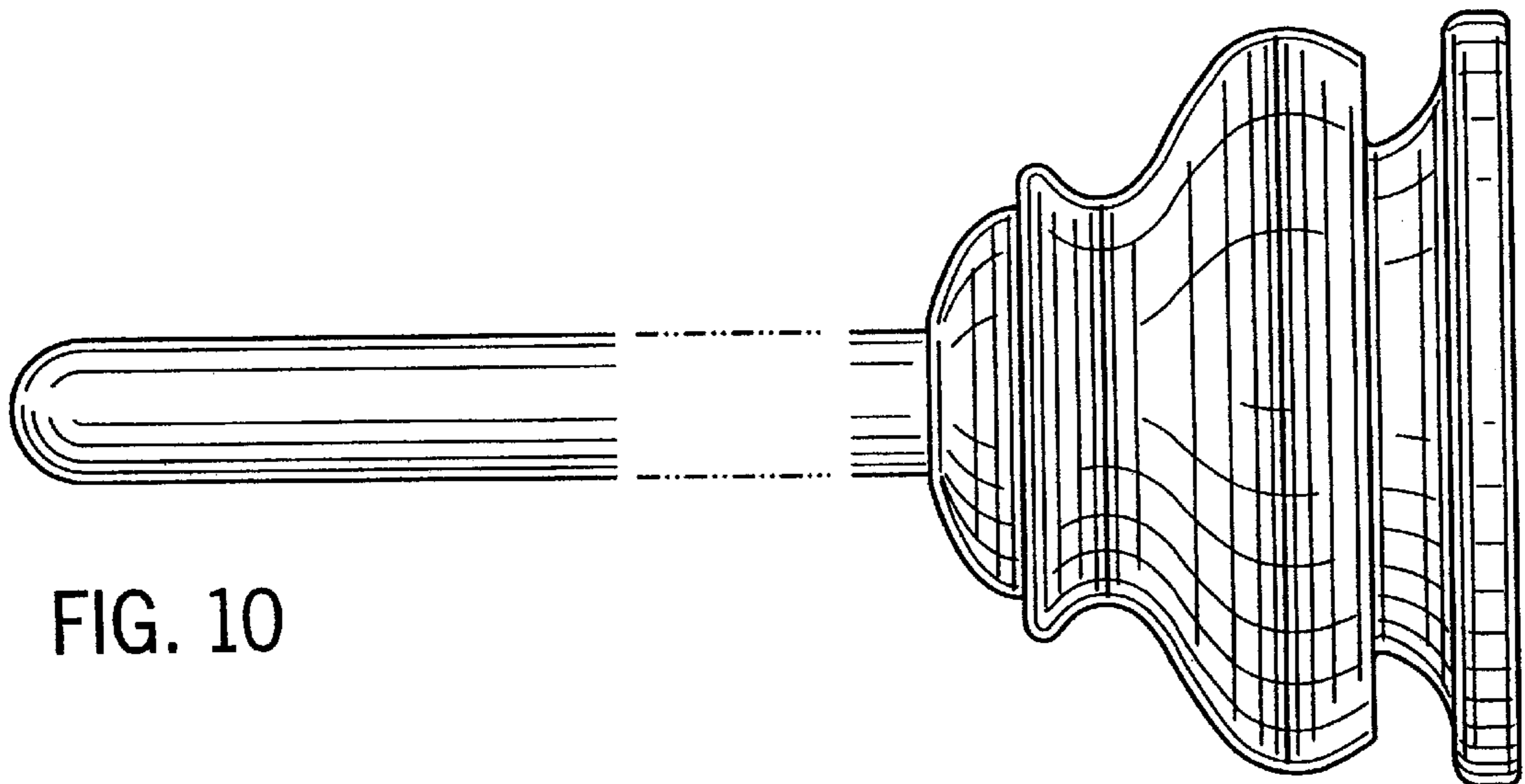


FIG. 10