



US00D488940S

(12) **United States Design Patent**
Tsai

(10) **Patent No.:** **US D488,940 S**

(45) **Date of Patent:** **** Apr. 27, 2004**

(54) **LEG OF A COMPUTER DESK**

D441,572 S * 5/2001 Deimen et al. D6/480
D461,072 S * 8/2002 Ko D6/495

(75) Inventor: **Chi-Cheng Tsai**, Nantou (TW)

* cited by examiner

(73) Assignee: **Sing Bee Enterprise Co., Ltd.**, Nantou (TW)

Primary Examiner—Janice E. Seeger
(74) *Attorney, Agent, or Firm*—Dennison, Schultz, Dougherty & MacDonald

(**) Term: **14 Years**

(21) Appl. No.: **29/180,357**

(57) **CLAIM**

(22) Filed: **Apr. 23, 2003**

The ornamental design for a leg of a computer desk, as shown and described.

(51) **LOC (7) Cl.** **06-06**

DESCRIPTION

(52) **U.S. Cl.** **D6/495**

(58) **Field of Search** D6/480–489, 495, D6/498; 108/153.1, 155, 156, 157.1, 161; 248/188, 188.1, 188.8

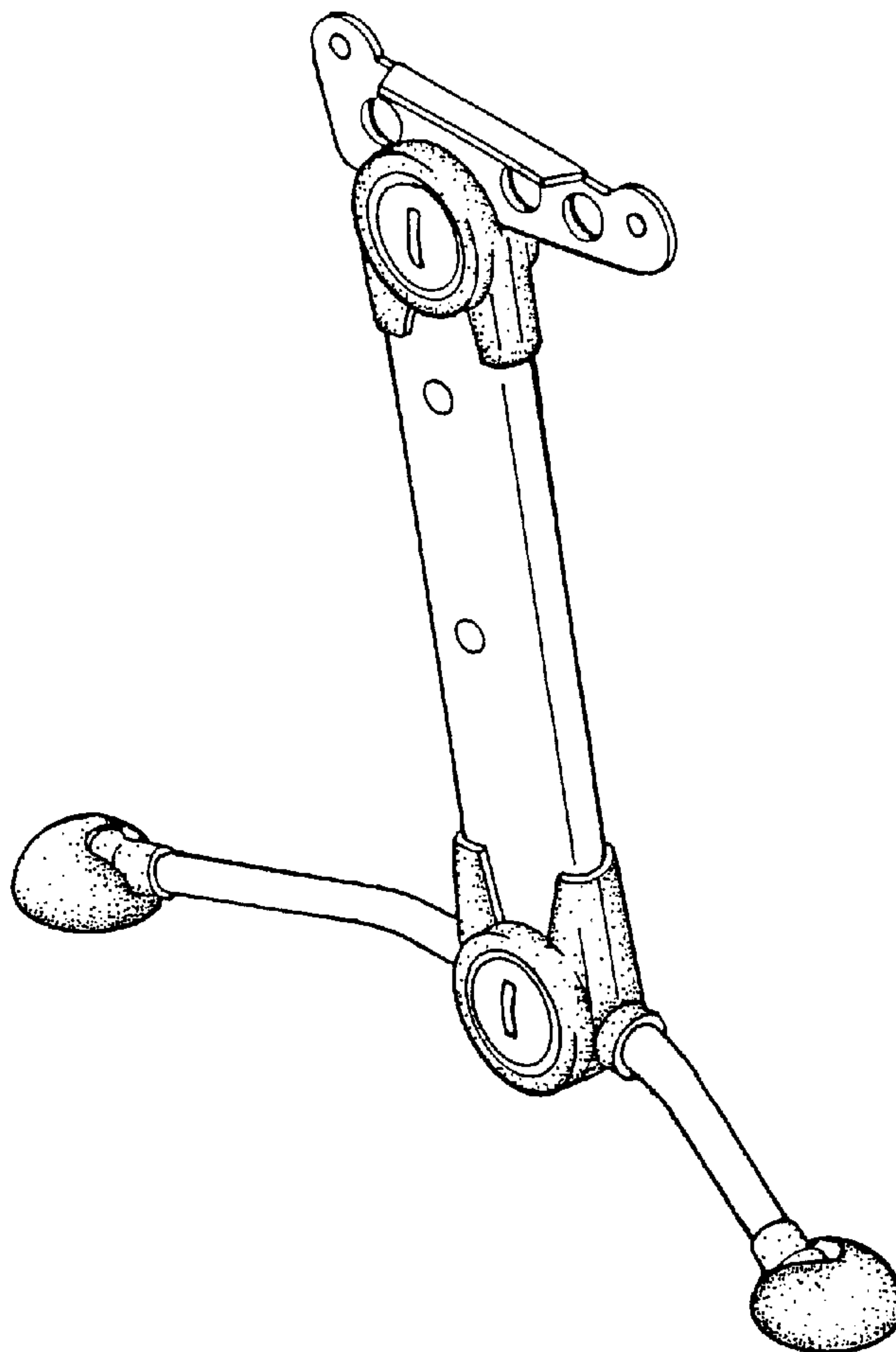
FIG. 1 shows a perspective view of the present design. FIG. 2 shows a front elevational view of the present design. FIG. 3 shows a rear elevational view of the present design. FIG. 4 shows a left elevational view of the present design. FIG. 5 shows a right elevational view of the present design. FIG. 6 shows a top plan view of the present design; and, FIG. 7 shows a bottom plan view of the present design.

(56) **References Cited**

U.S. PATENT DOCUMENTS

D424,827 S * 5/2000 Ko D6/429
D436,268 S * 1/2001 Ko D6/484

1 Claim, 7 Drawing Sheets



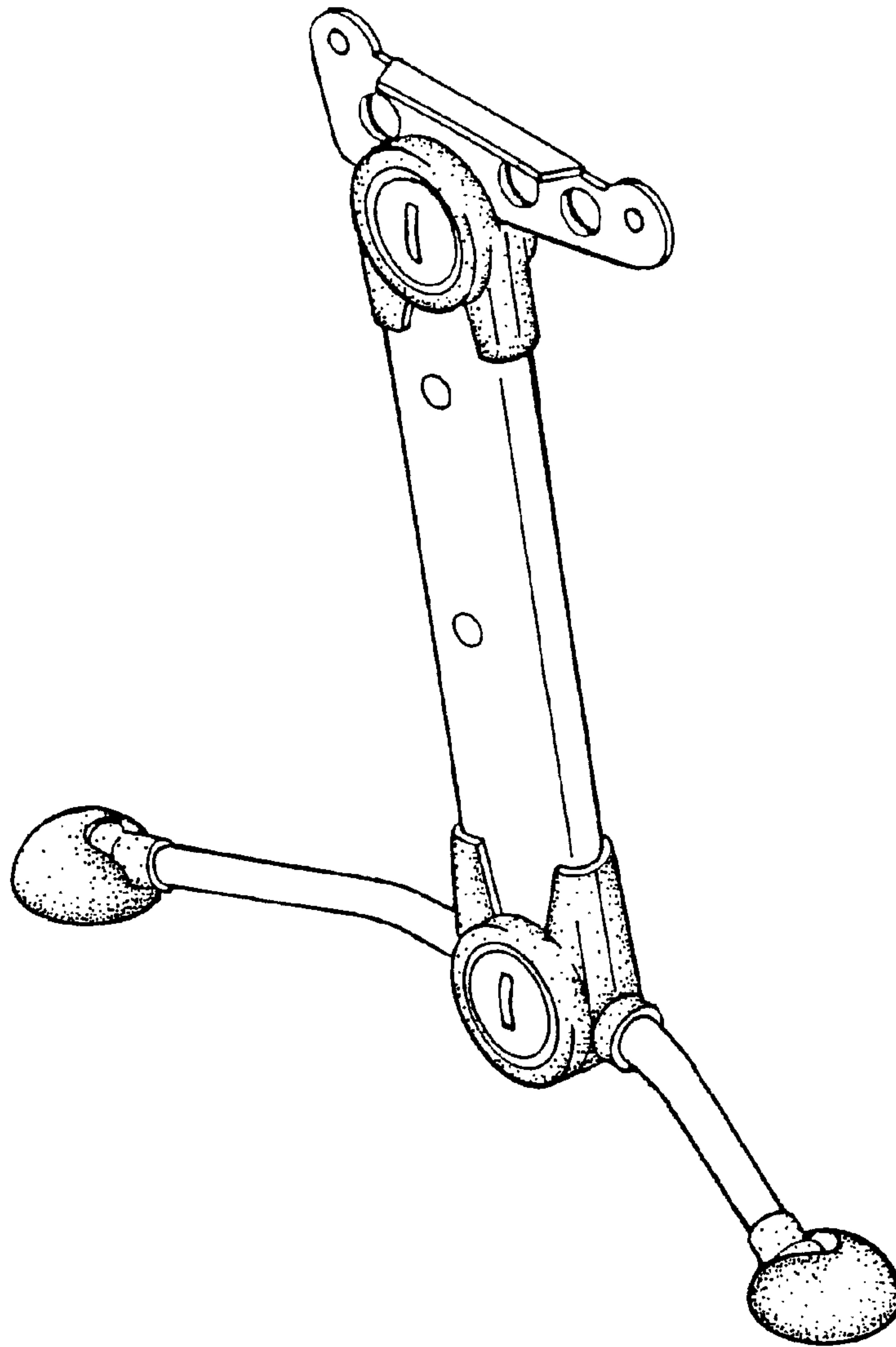


Fig • 1

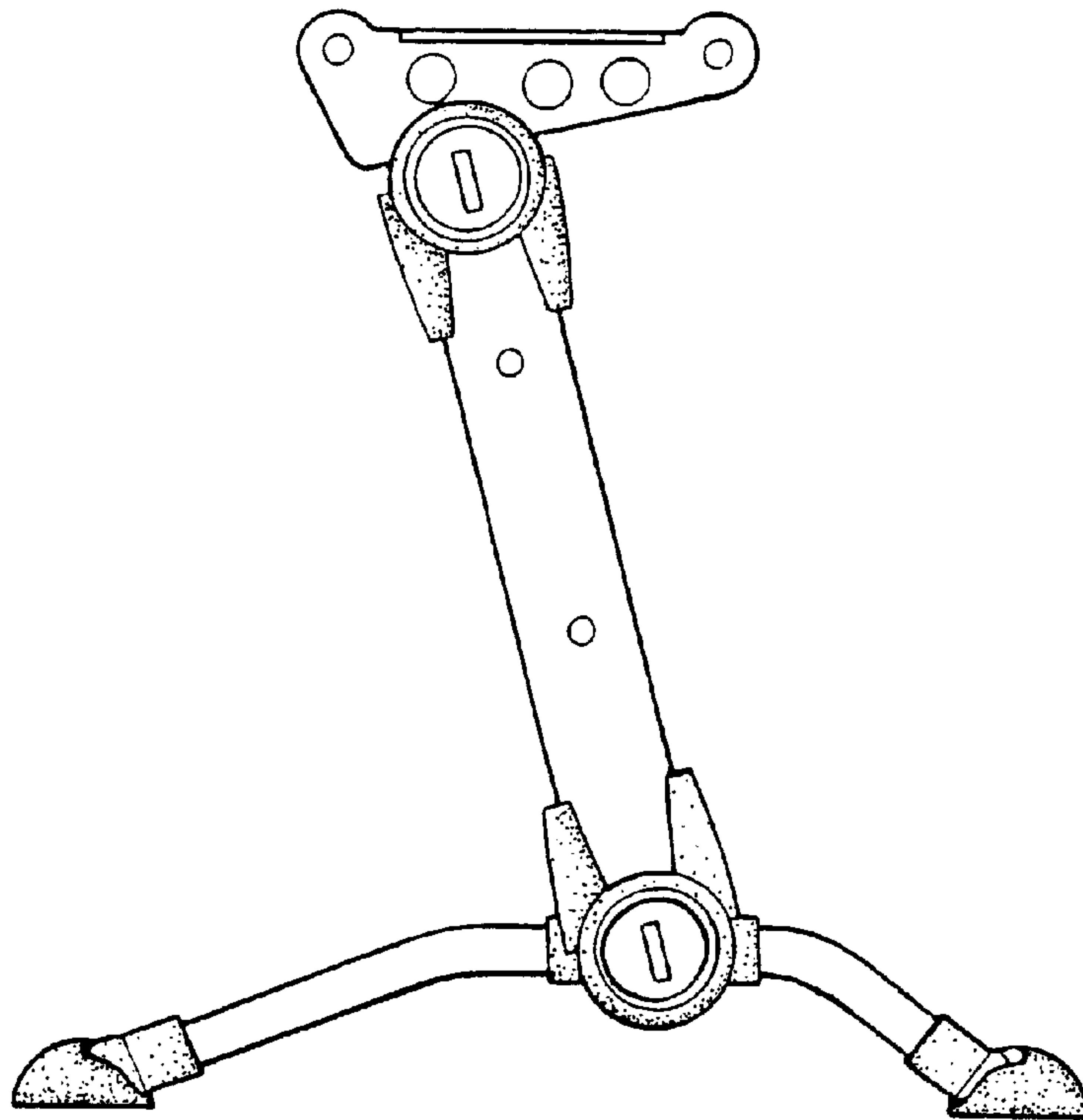


Fig • 2

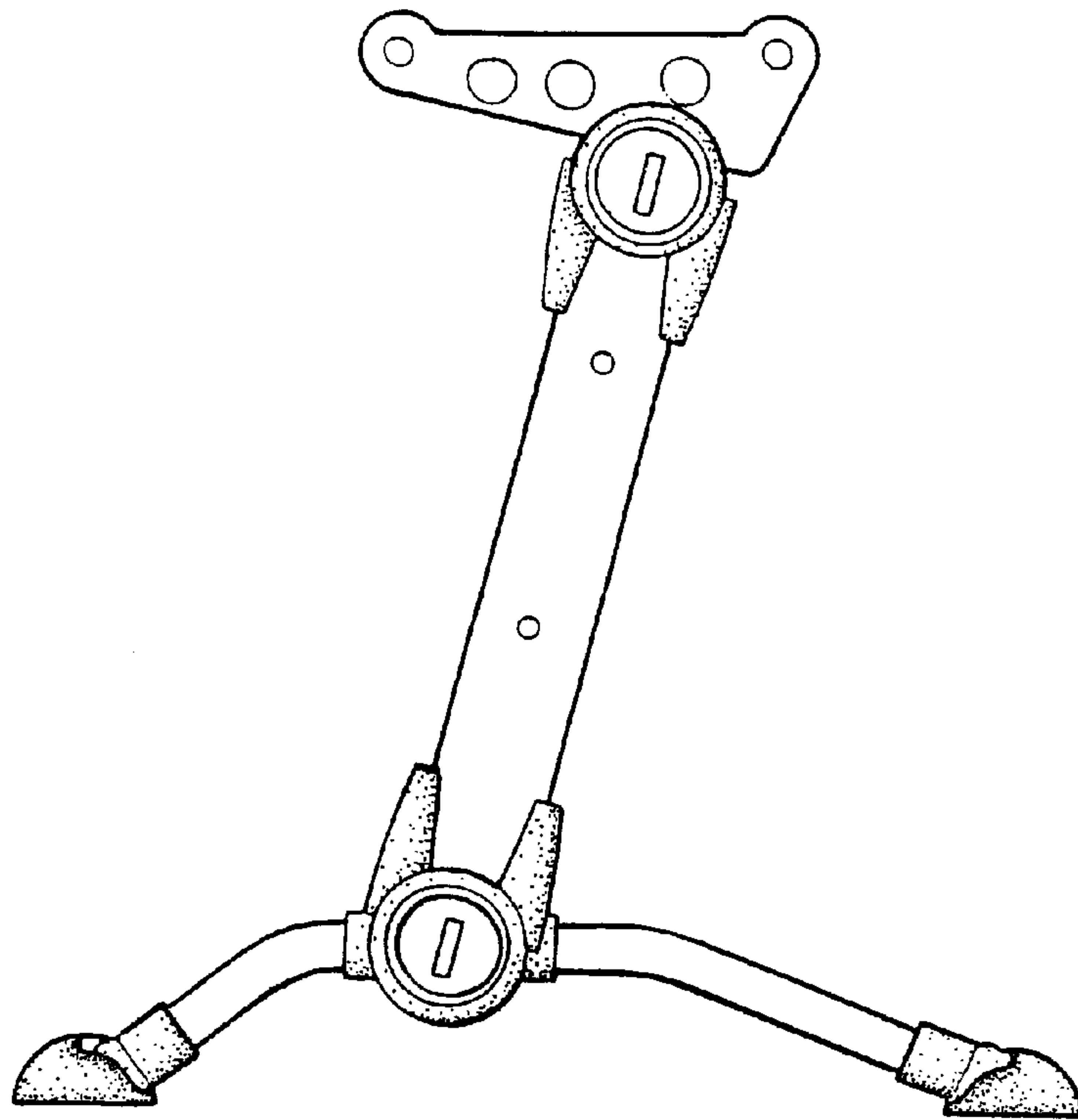


Fig • 3

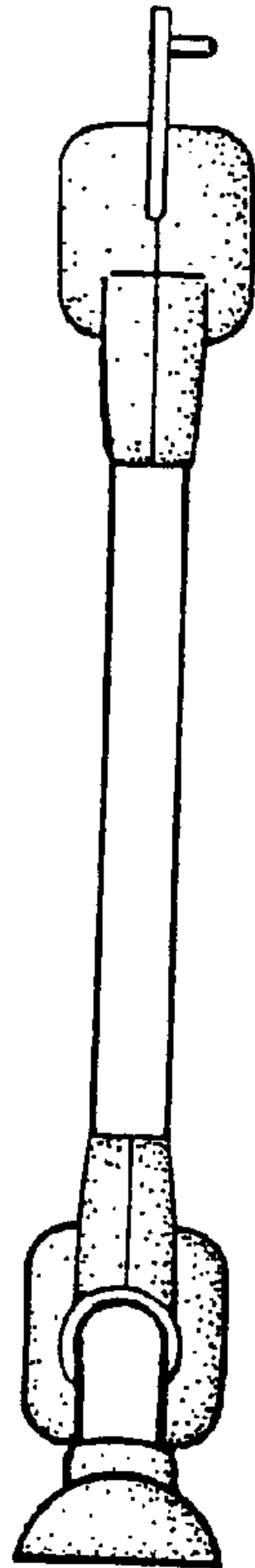


Fig • 4

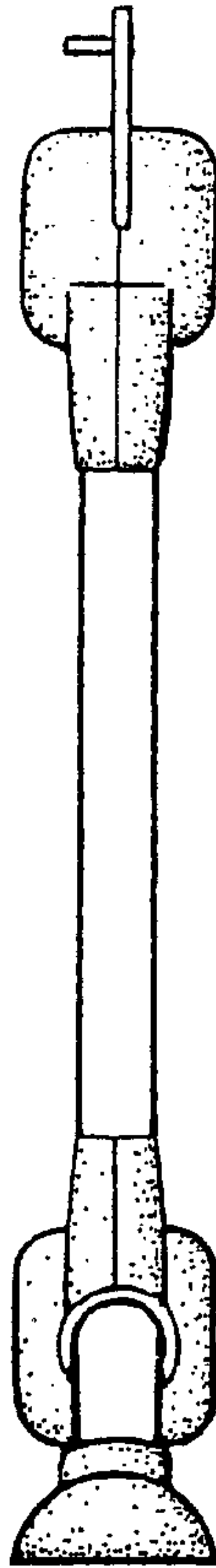


Fig • 5

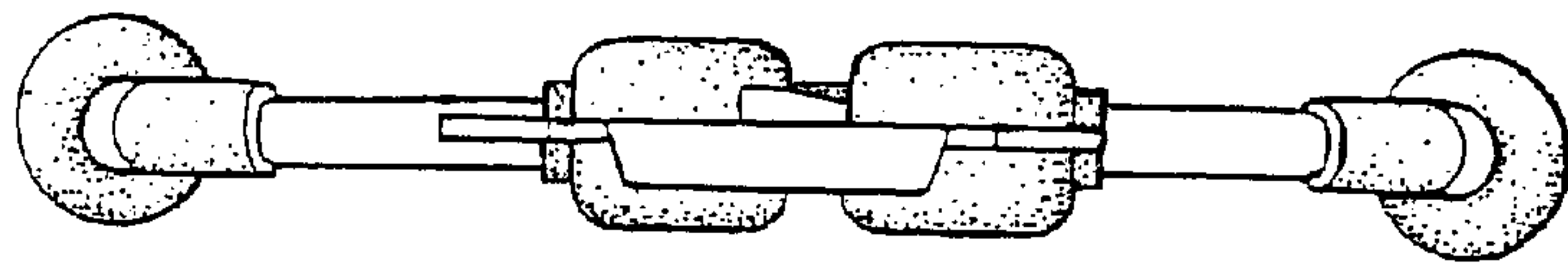


Fig • 6

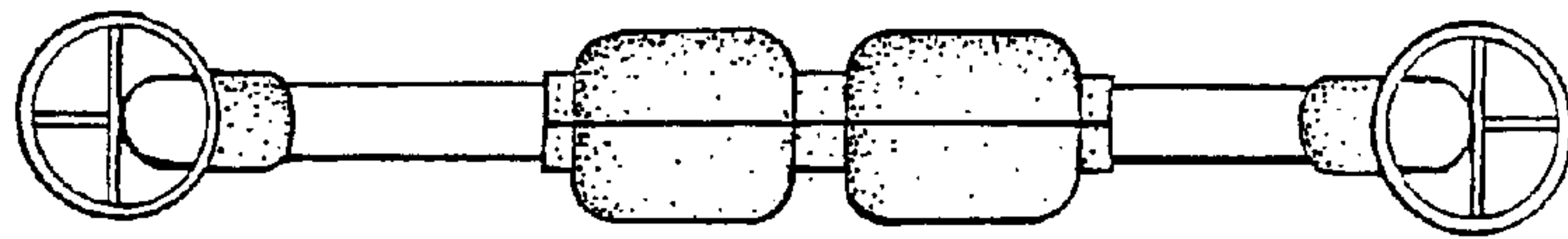


Fig • 7