



US00D488937S

(12) **United States Design Patent**  
**Gillet**

(10) **Patent No.:** **US D488,937 S**

(45) **Date of Patent:** **\*\* Apr. 27, 2004**

(54) **BROCHURE HOLDER**

(75) Inventor: **Christophe Gillet**, Belmont-Luthezieu (FR)

(73) Assignee: **Entropies**, Virieu le Grand (FR)

(\*\*) Term: **14 Years**

(21) Appl. No.: **29/171,765**

(22) Filed: **Nov. 29, 2002**

(30) **Foreign Application Priority Data**

May 29, 2002 (FR) ..... 02 3340

(51) **LOC (7) Cl.** ..... **06-04**

(52) **U.S. Cl.** ..... **D6/471; D6/468; D20/10**

(58) **Field of Search** ..... D6/470-472, 449;  
D20/10, 19, 41; 40/603, 604, 606.12; 211/13,  
42, 45; 248/441.4, 444.1

(56) **References Cited**

**U.S. PATENT DOCUMENTS**

D360,779 S \* 8/1995 Allekotte et al. .... D6/449  
5,983,545 A \* 11/1999 Marco ..... 40/610

D433,846 S \* 11/2000 Chang ..... D6/474  
D434,806 S \* 12/2000 Justen et al. .... D20/10  
D434,807 S \* 12/2000 Justen et al. .... D20/10  
D451,966 S \* 12/2001 Skog ..... D20/10  
D461,962 S \* 8/2002 Ingolfsson ..... D6/314  
6,457,684 B1 \* 10/2002 McKendry ..... 248/127

\* cited by examiner

*Primary Examiner*—Cathron C. Brooks

(74) *Attorney, Agent, or Firm*—Oliff & Berridge, PLC

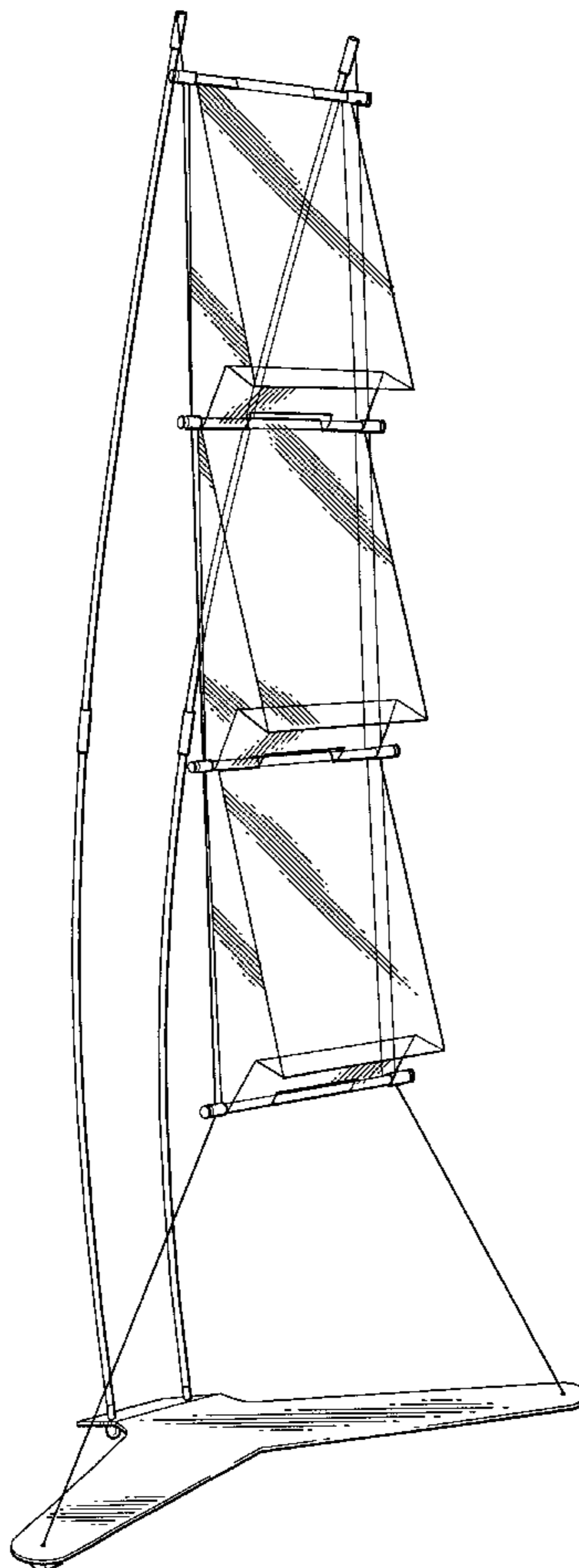
(57) **CLAIM**

The ornamental design for a brochure holder, as shown and described.

**DESCRIPTION**

FIG. 1 is a front and left side perspective of a brochure holder, showing my new design;  
FIG. 2 is a front plan view, showing my new design;  
FIG. 3 is a rear plan view thereof;  
FIG. 4 is a right side plan view thereof;  
FIG. 5 is a left side plan view thereof;  
FIG. 6 is a top plan view thereof; and,  
FIG. 7 is a bottom plan view thereof.

**1 Claim, 6 Drawing Sheets**



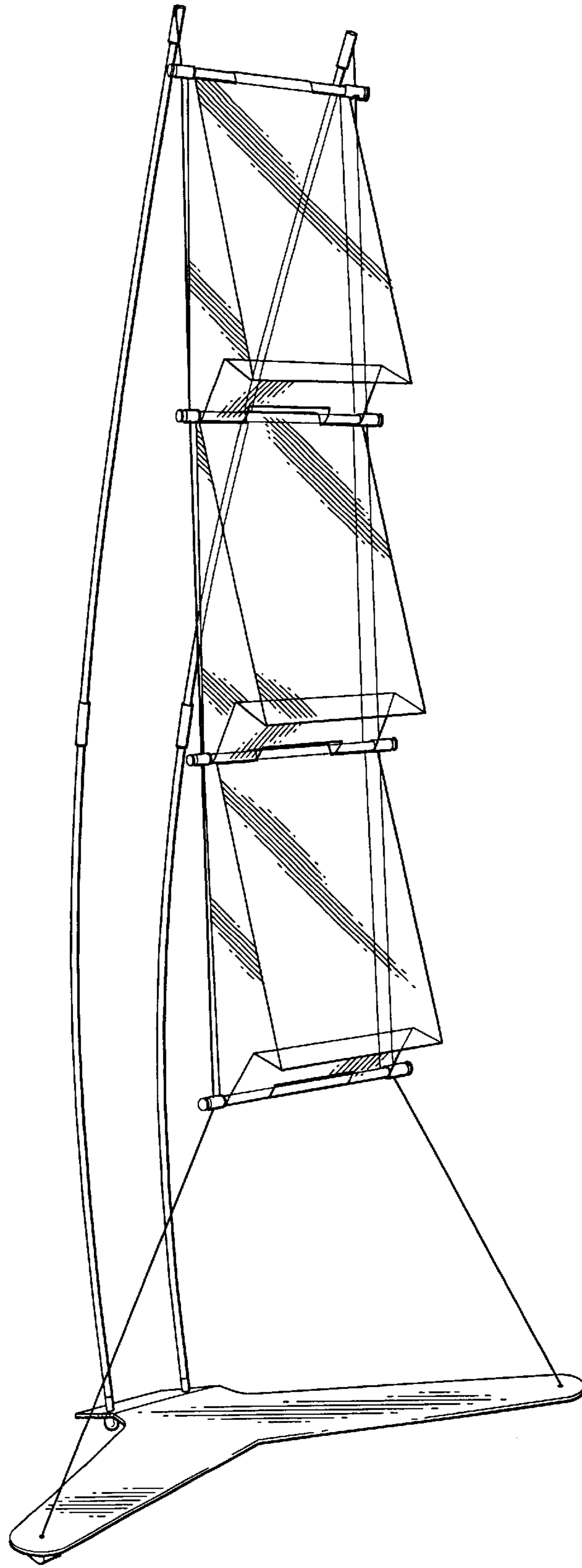


Fig. 1

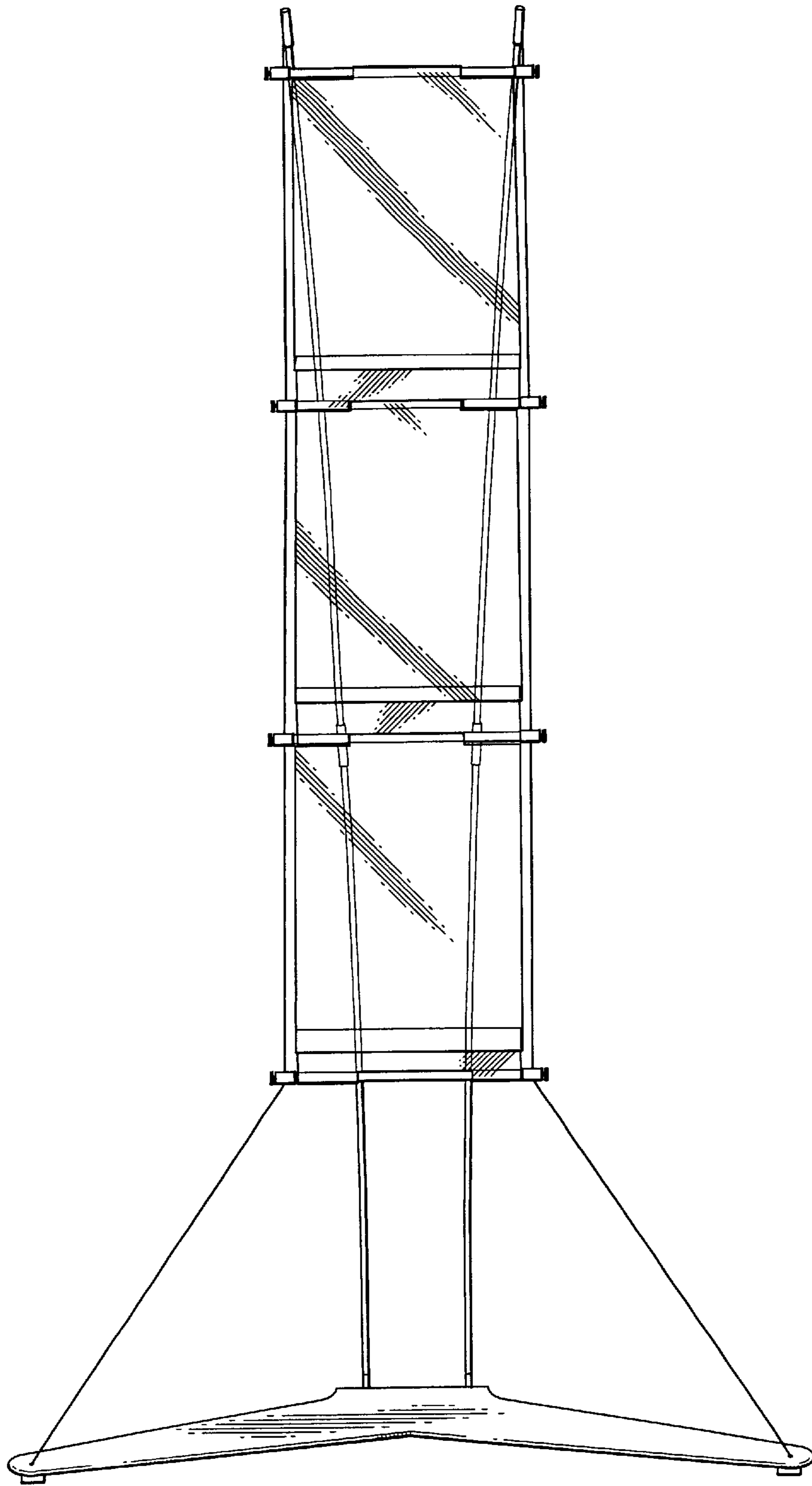


Fig. 2

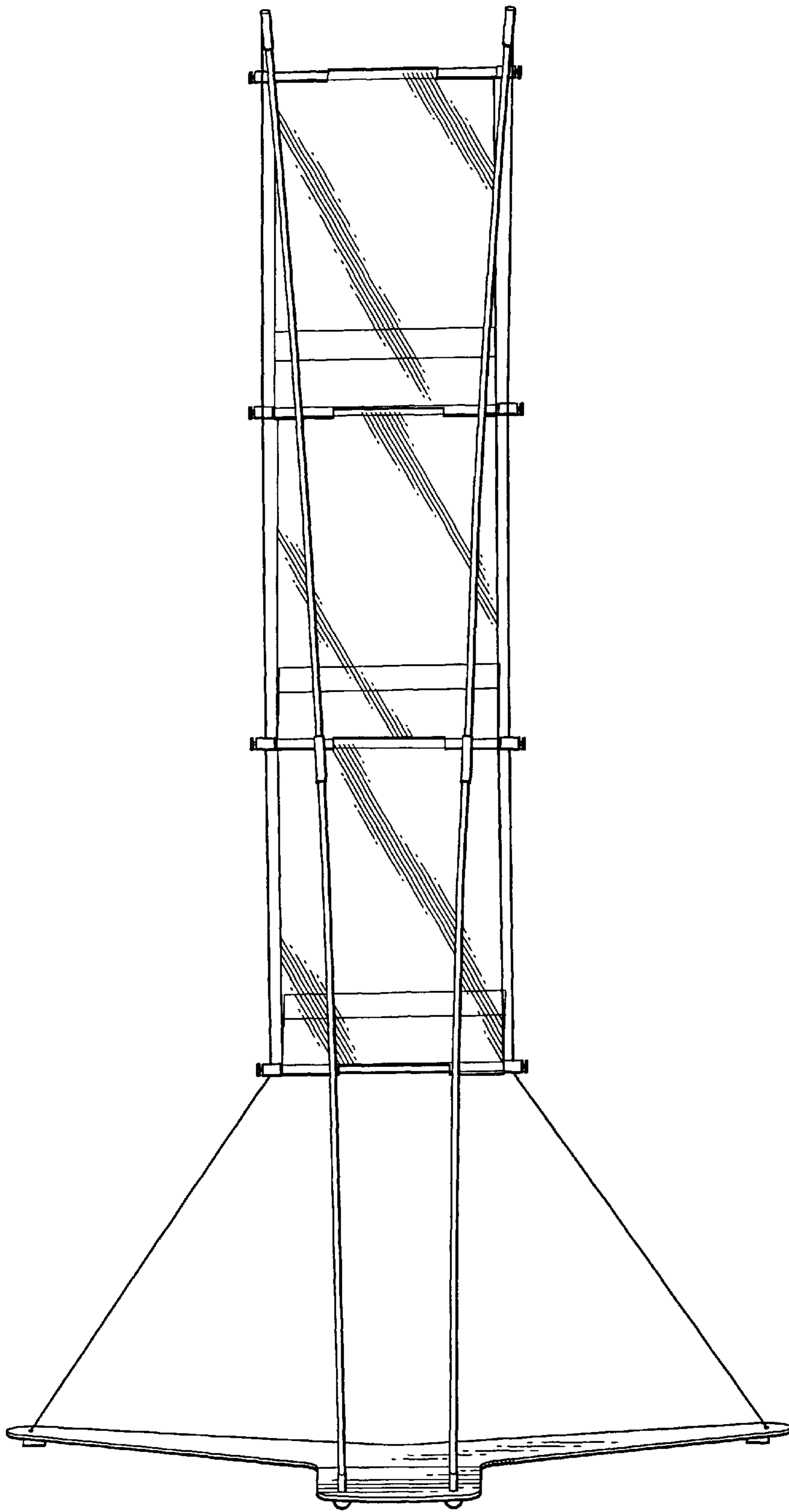


Fig. 3

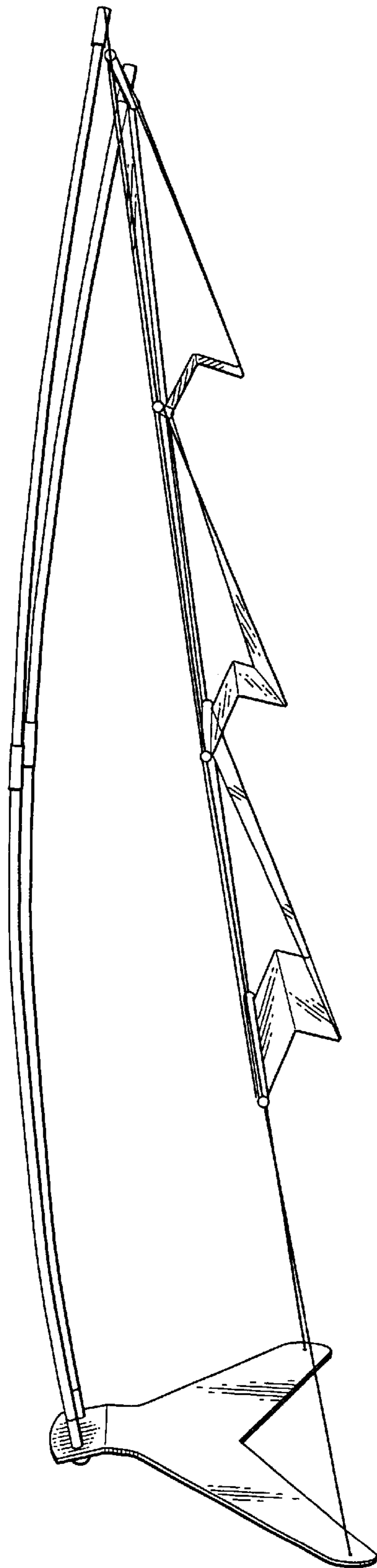


Fig. 4

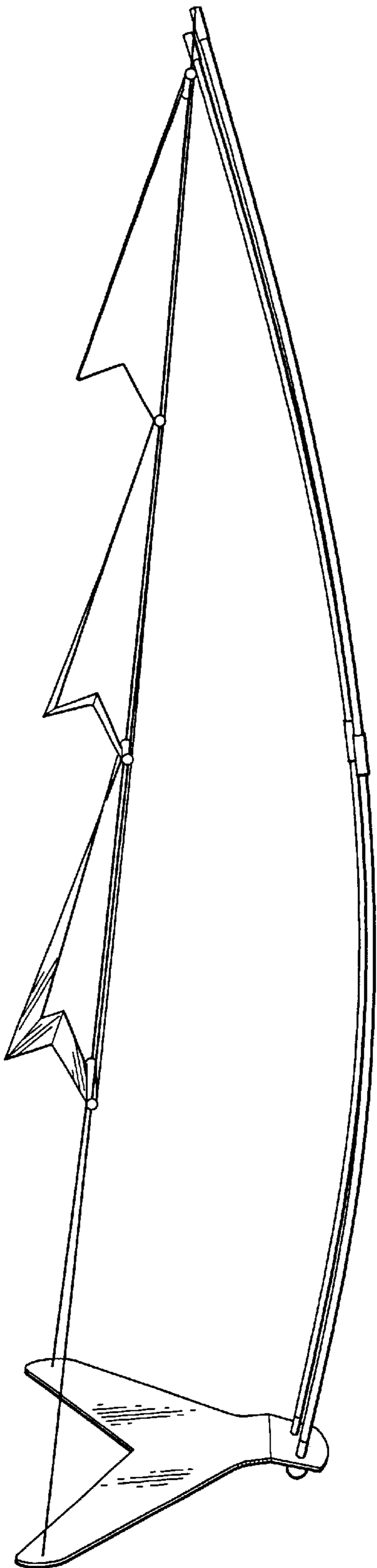


Fig. 5

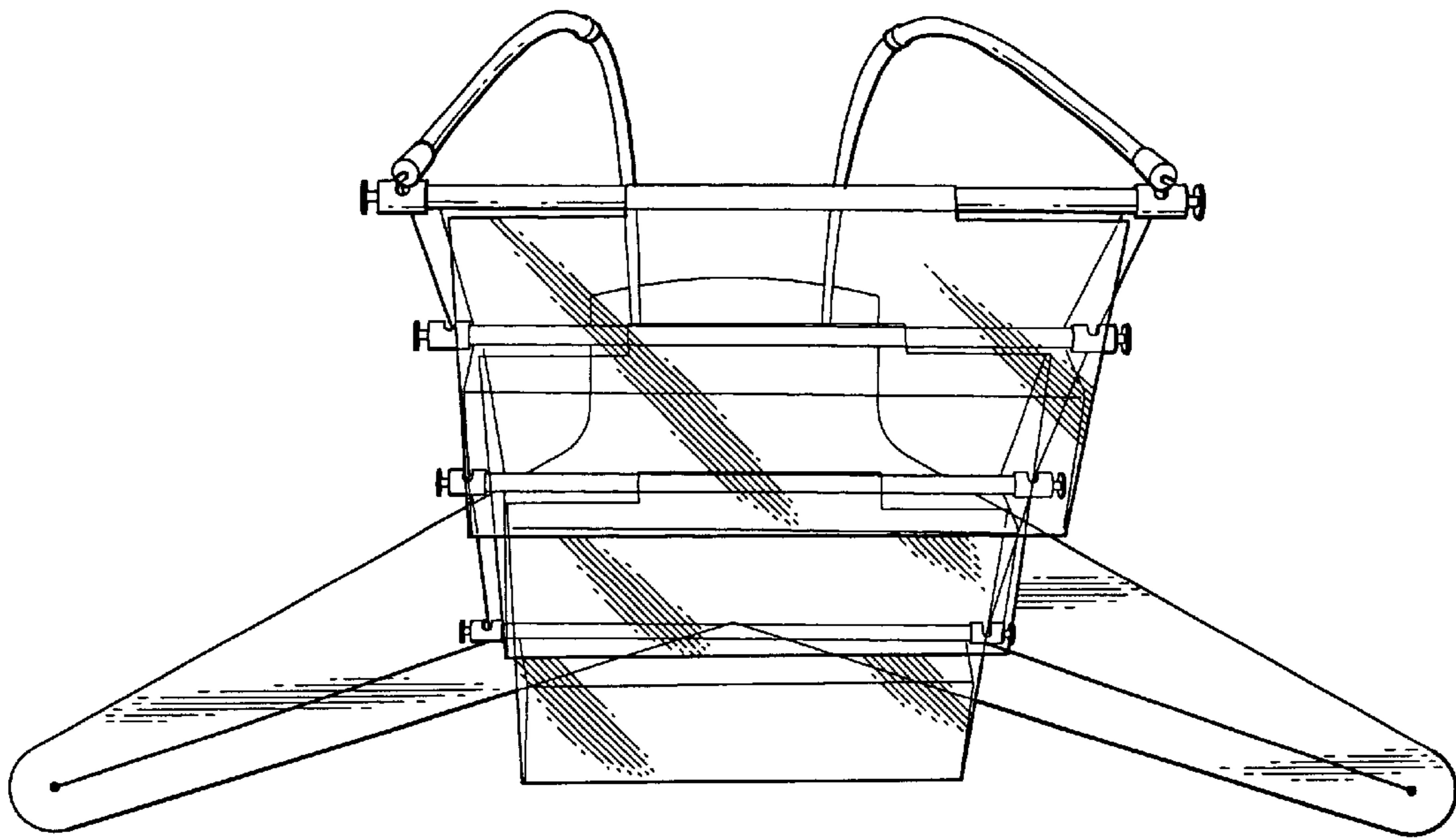


Fig. 6

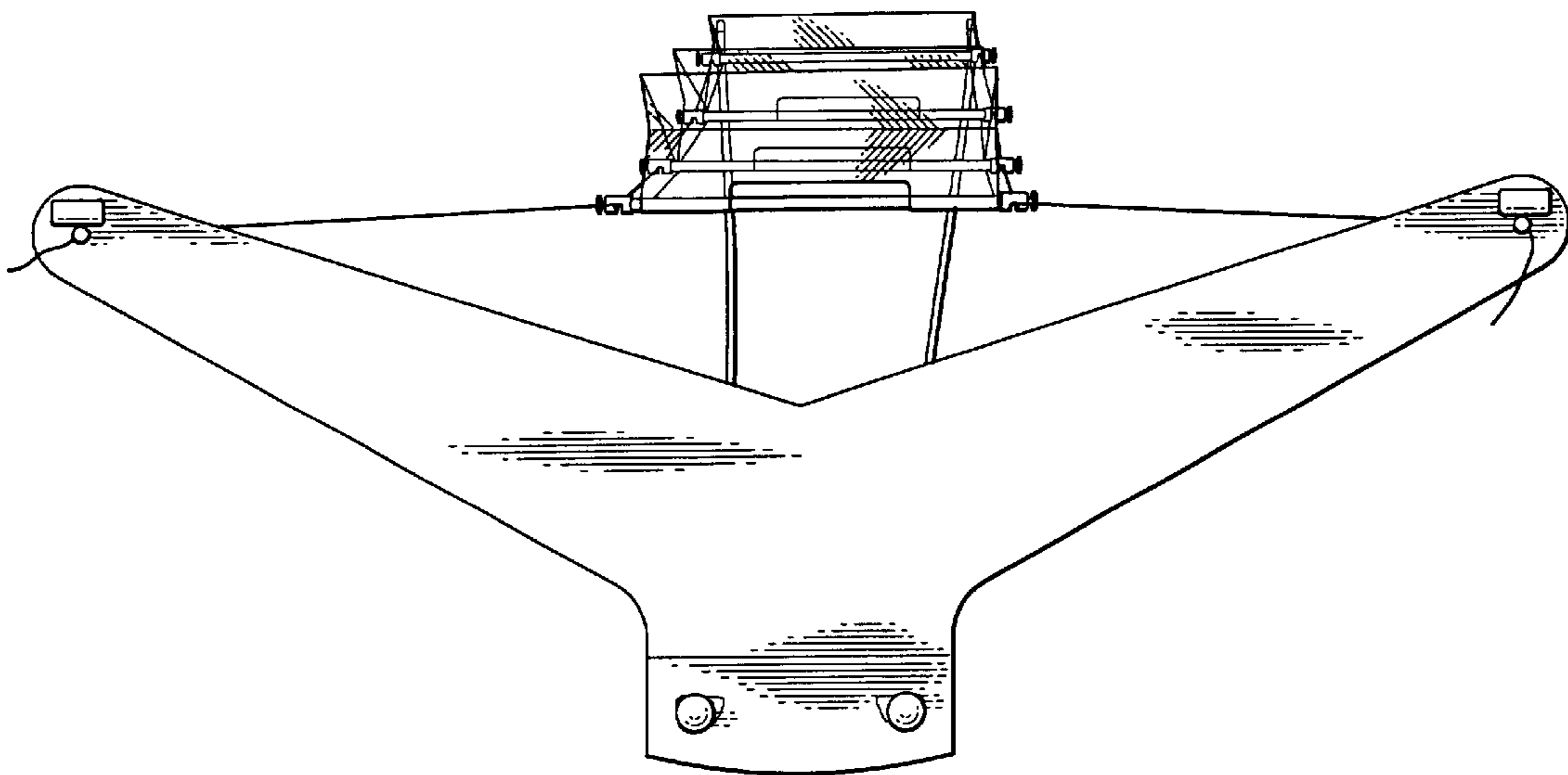


Fig. 7