



US00D488935S

(12) **United States Design Patent**
Quintal

(10) **Patent No.:** **US D488,935 S**

(45) **Date of Patent:** **** Apr. 27, 2004**

(54) **WORKSTATION**

(76) **Inventor:** **Alain Quintal**, 4745 Road 125,
Rawdon, Quebec (CA), J0K 1S0

(**) **Term:** **14 Years**

(21) **Appl. No.:** **29/168,145**

(22) **Filed:** **Sep. 27, 2002**

(30) **Foreign Application Priority Data**

Mar. 28, 2002 (CA) 99010

(51) **LOC (7) Cl.** **06-04**

(52) **U.S. Cl.** **D6/426**

(58) **Field of Search** D6/421, 422, 425-428,
D6/464, 465, 477, 479, 484; 312/194-196,
208.1, 223.2, 223.3; 108/50.01, 50.02, 59,
92, 91

(56) **References Cited**

U.S. PATENT DOCUMENTS

D220,113 S * 3/1971 Trombly D6/484

D220,703 S * 5/1971 Deguchi et al. D6/426
D376,705 S * 12/1996 Stoddard et al. D6/426
D435,368 S * 12/2000 Tzeng D6/480
D464,501 S * 10/2002 Lin D6/425

* cited by examiner

Primary Examiner—Janice E. Seeger

(74) *Attorney, Agent, or Firm*—Brouillette Kosie Prince

(57) **CLAIM**

The ornamental design for a workstation, as shown.

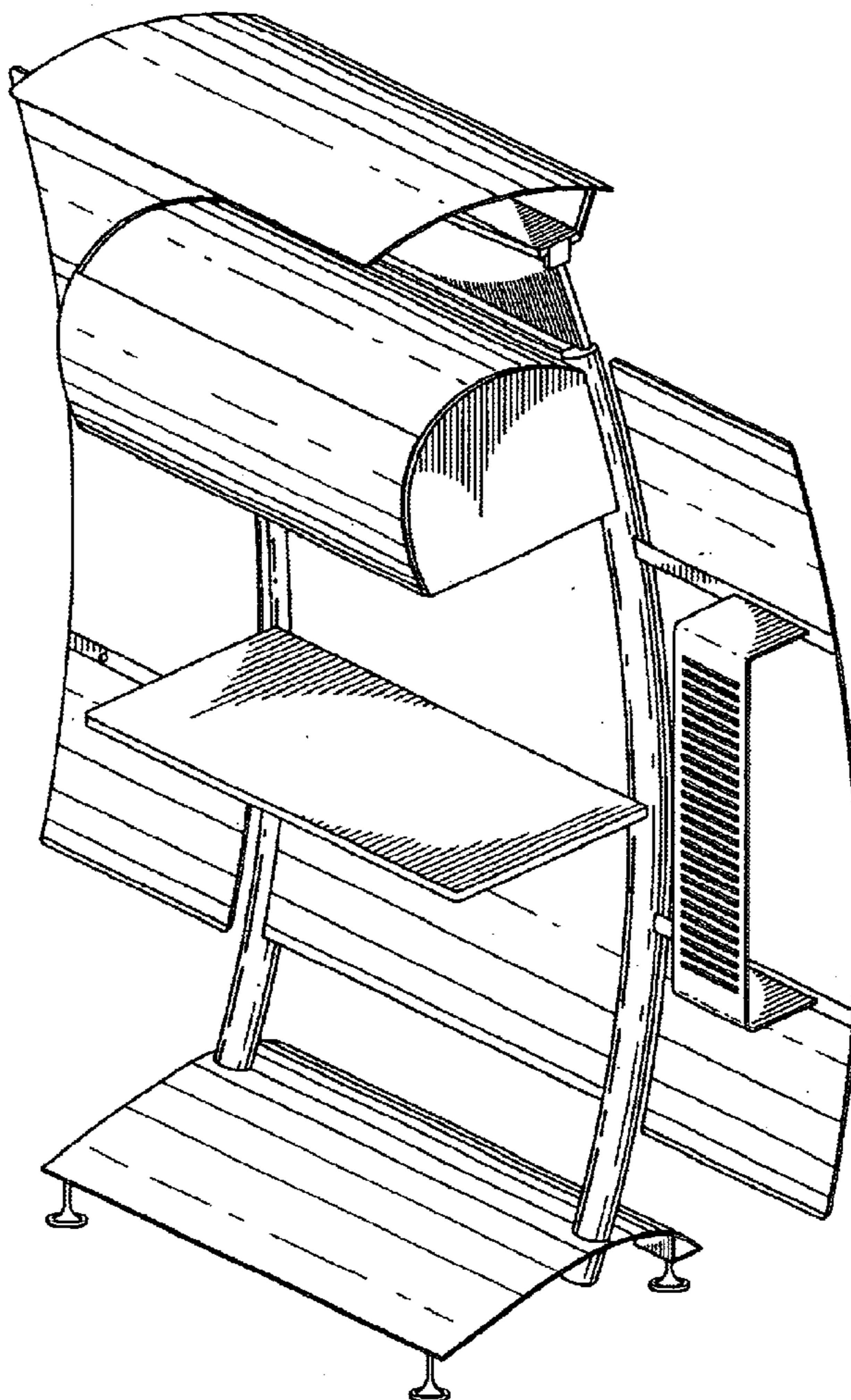
DESCRIPTION

FIG. 1 is a perspective view of a workstation, showing my new design;

FIG. 2 is a left side elevational view; and,

FIG. 3 is a front elevational view thereof.

1 Claim, 2 Drawing Sheets



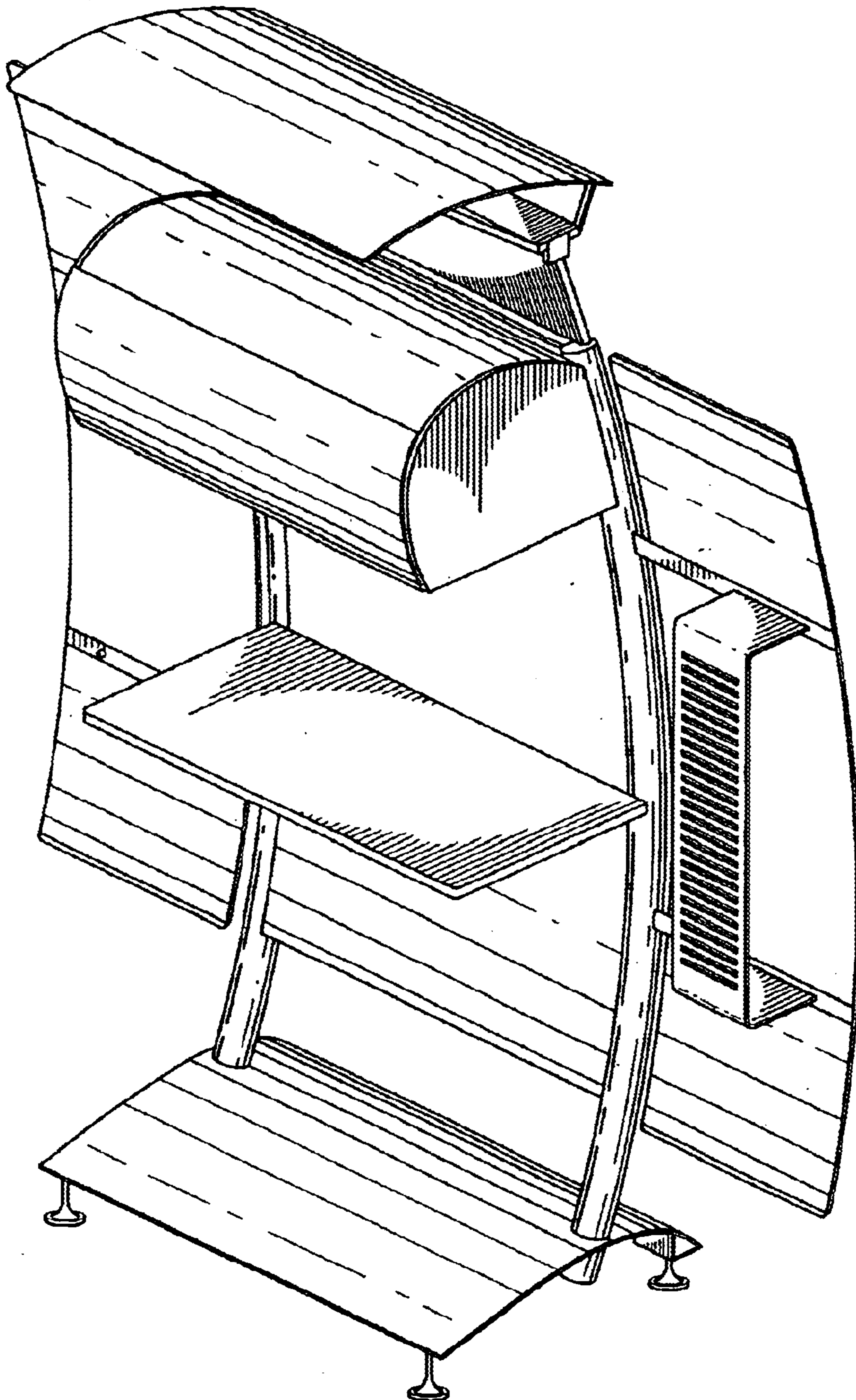


FIG. 1

