



US00D488930S

(12) **United States Design Patent**
Christianson

(10) **Patent No.:** **US D488,930 S**

(45) **Date of Patent:** **** Apr. 27, 2004**

(54) **ION EMITTING GROOMING DEVICE**

FOREIGN PATENT DOCUMENTS

(75) **Inventor:** **Tristan M. Christianson**, San Francisco, CA (US)

CH 550562 * 6/1974 A46B/5/00

* cited by examiner

(73) **Assignee:** **Sharper Image Corporation**, San Francisco, CA (US)

Primary Examiner—Alan P. Douglas

Assistant Examiner—Lavone D. Tabor

(**) **Term:** **14 Years**

(74) *Attorney, Agent, or Firm*—Fliesler, Meyer LLP

(21) **Appl. No.:** **29/178,674**

(57) **CLAIM**

(22) **Filed:** **Mar. 27, 2003**

The ornamental design for an ion emitting grooming device, as shown and described.

(51) **LOC (7) Cl.** **04-02**

DESCRIPTION

(52) **U.S. Cl.** **D4/138**

(58) **Field of Search** D4/100, 114, 132–134, D4/136–138; 15/1.51, 1.52, 104.001, 104.002, 143.1, 159.1, 160, 186–188; 119/600, 612, 615, 633, 664; 601/136–138

FIG. 1 is a top perspective view of an ion emitting grooming device, showing my new design;

FIG. 2 is a bottom perspective view thereof;

FIG. 3 is a top plan view thereof;

FIG. 4 is a bottom plan view thereof;

FIG. 5 is a side elevation view of one side thereof; A side elevation view of the opposite side is a mirror image of the view shown in FIG. 5;

FIG. 6 is an end elevation view from the head of the grooming device; and,

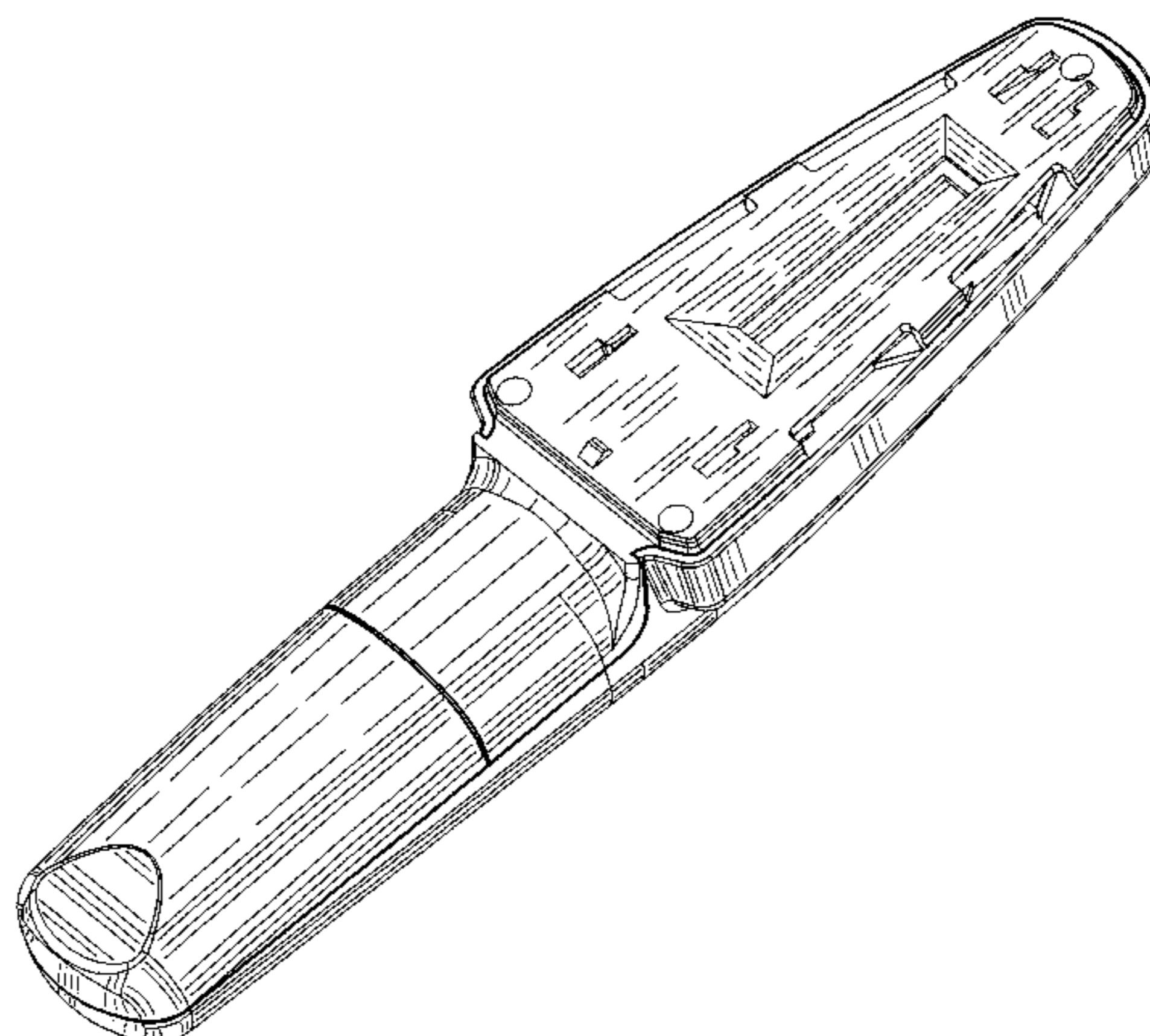
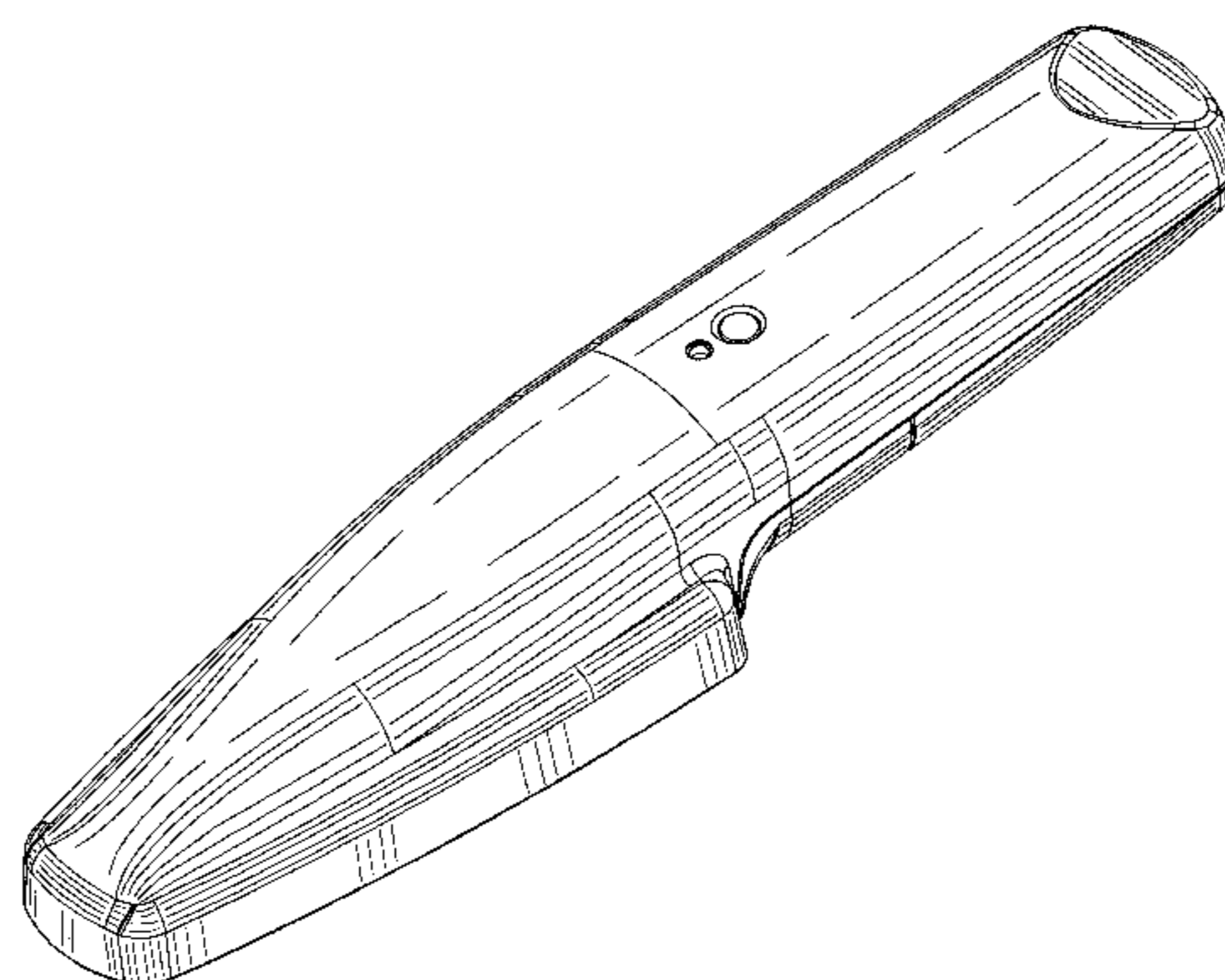
FIG. 7 is an end elevation view from the handle thereof.

(56) **References Cited**

U.S. PATENT DOCUMENTS

3,869,748 A	*	3/1975	Krusche	
4,797,966 A		1/1989	Fong	15/186
D313,509 S		1/1991	Ueda	D4/137
D409,388 S		5/1999	Pinchuk	D4/136
D417,551 S		12/1999	Pinchuk	D4/136
D470,314 S		2/2003	Christianson	D4/138

1 Claim, 5 Drawing Sheets



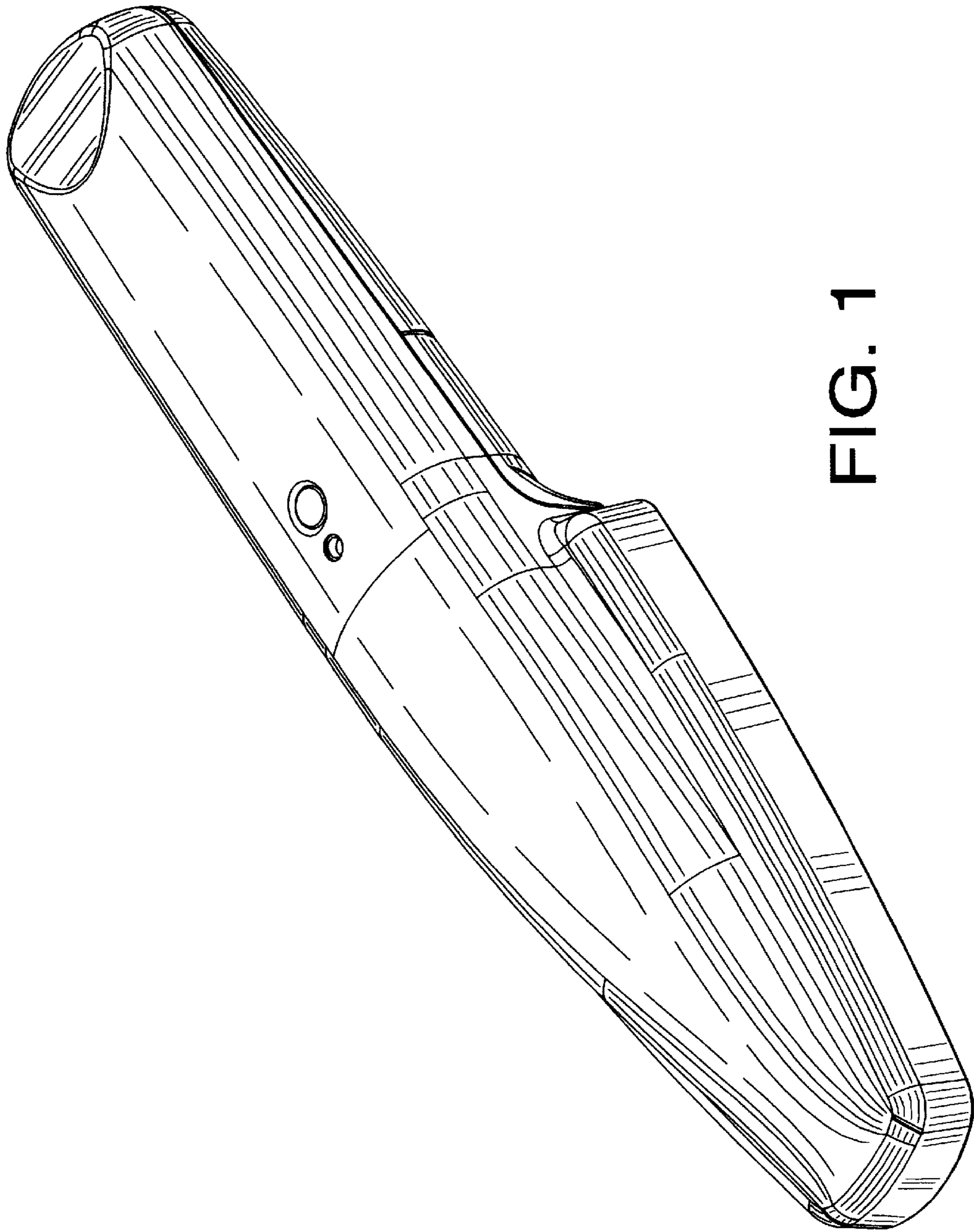


FIG. 1

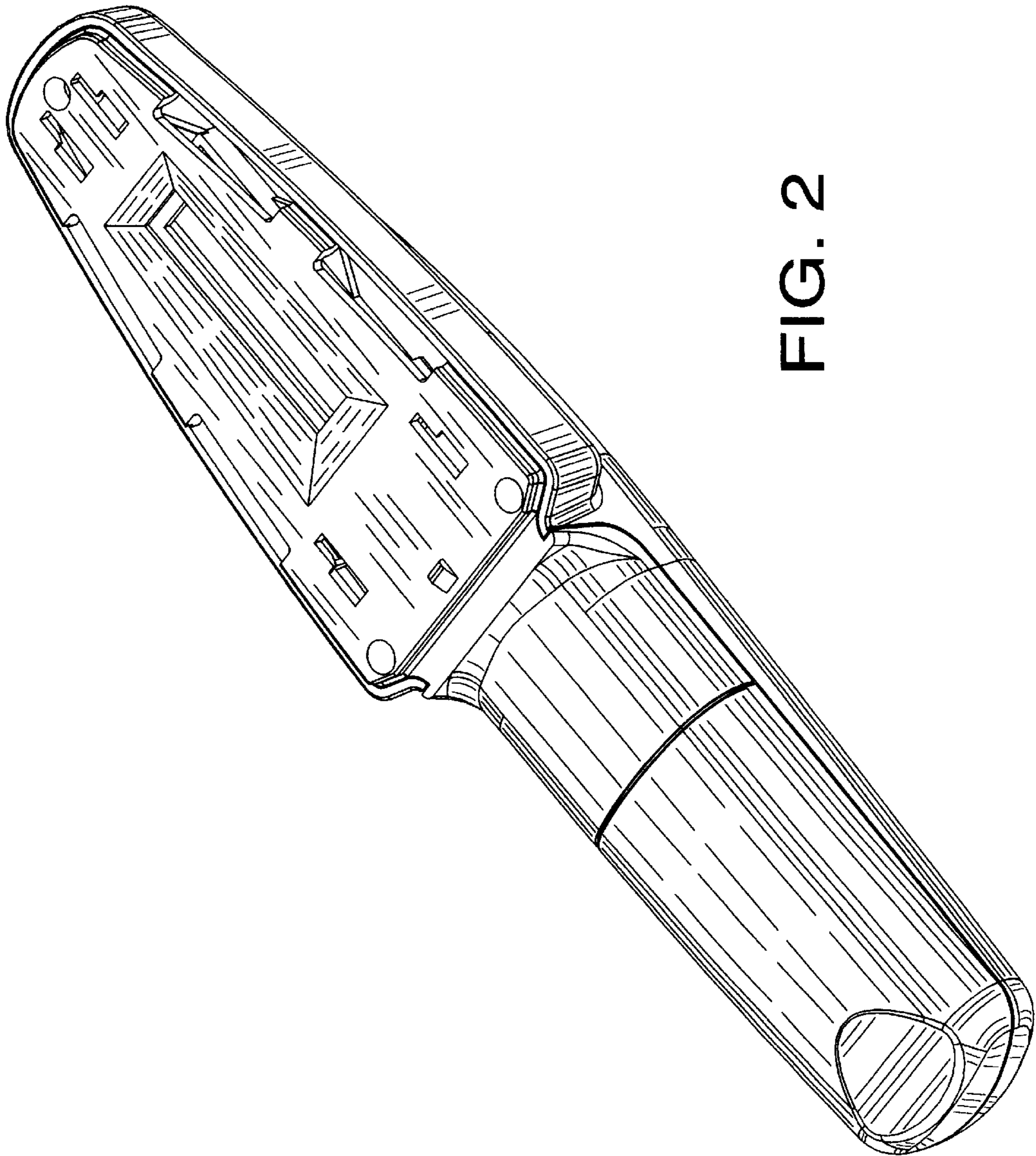


FIG. 2

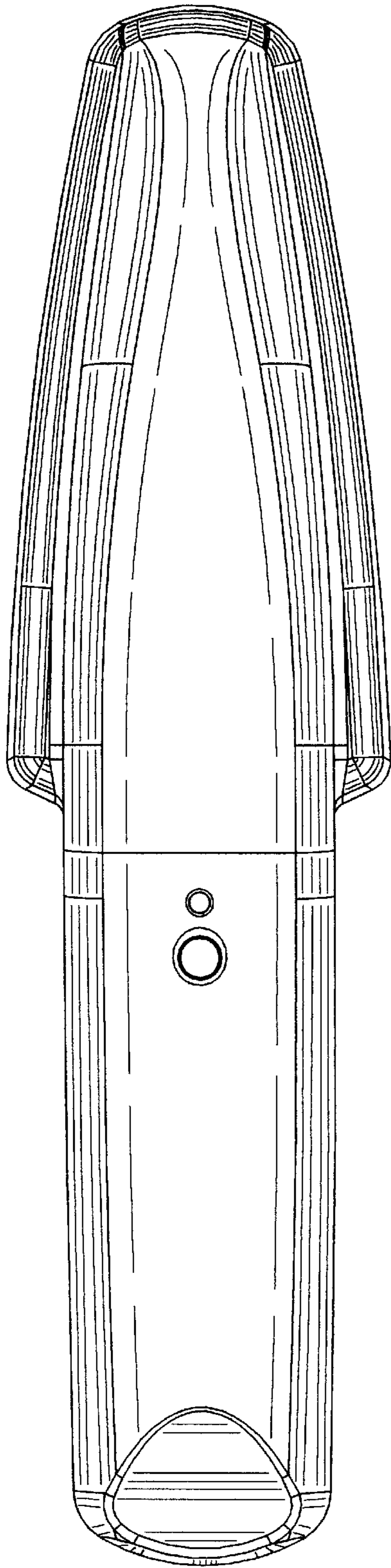


FIG. 3

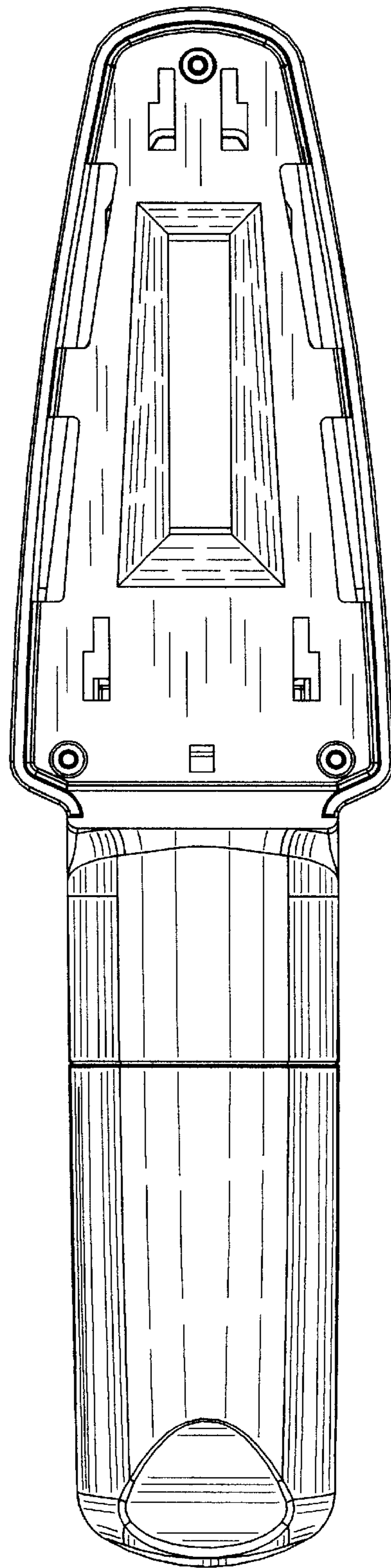


FIG. 4

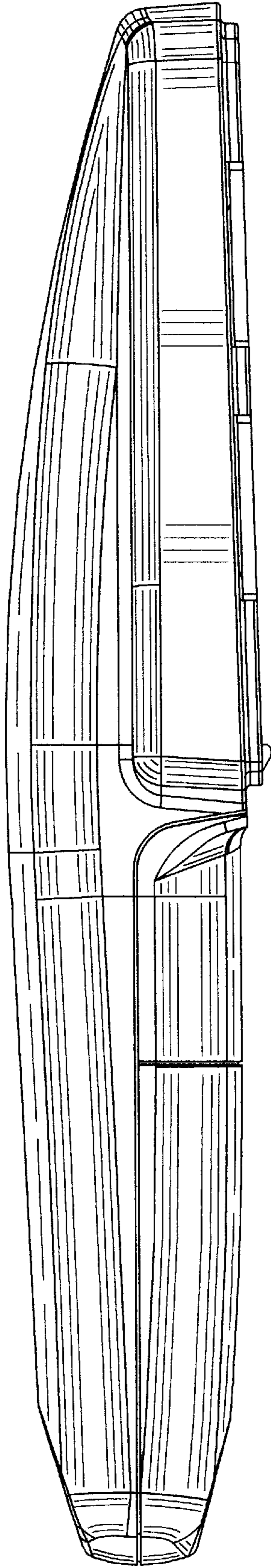


FIG. 5

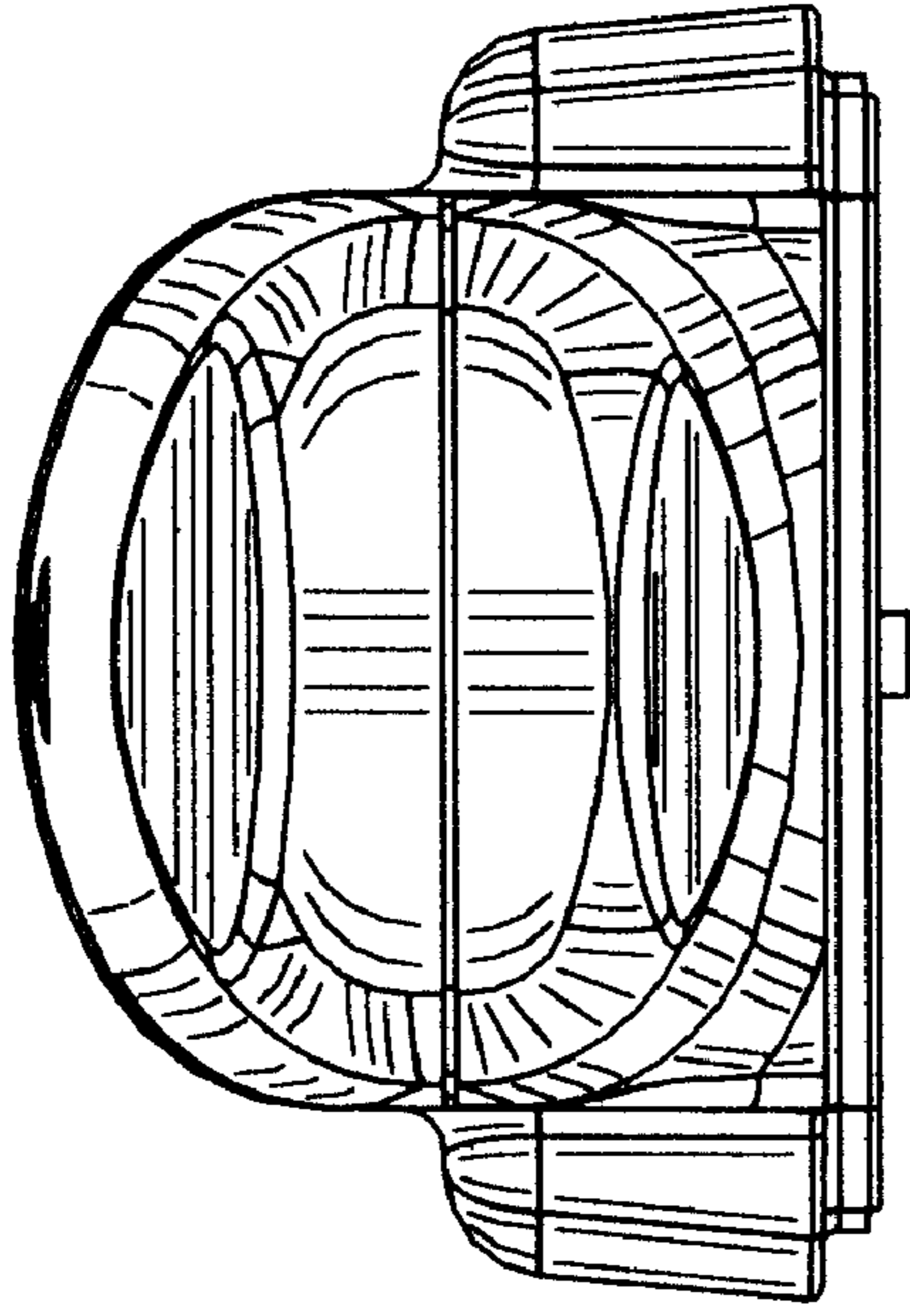


FIG. 7

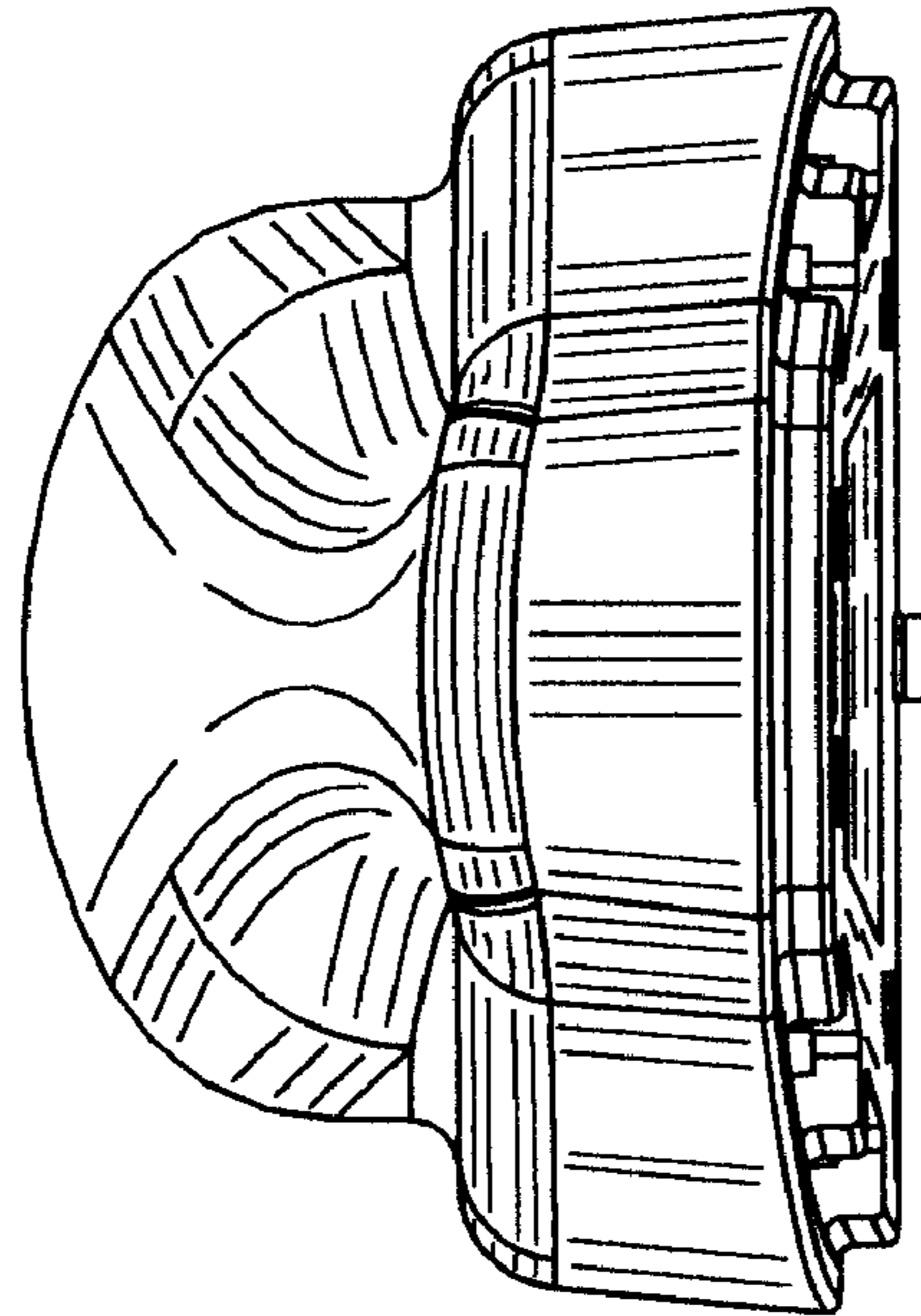


FIG. 6