



US00D488923S

(12) **United States Design Patent**  
**Henebrey**

(10) **Patent No.:** **US D488,923 S**

(45) **Date of Patent:** **\*\* Apr. 27, 2004**

(54) **CONTAINER**

(76) Inventor: **Barry John Henebrey**, 3 Coniston Road, Rondebosch (ZA), 7700

(\*\*) Term: **14 Years**

(21) Appl. No.: **29/169,838**

(22) Filed: **Oct. 24, 2002**

(51) **LOC (7) Cl.** ..... **03-01**

(52) **U.S. Cl.** ..... **D3/221**

(58) **Field of Search** ..... D3/221, 215, 257,  
D3/259; 224/919, 918; 206/315.5, 315.9;  
D21/759, 793; D7/601-608, 509

(56) **References Cited**

**U.S. PATENT DOCUMENTS**

4,730,728 A \* 3/1988 Larkin ..... 206/315.9  
D321,032 S \* 10/1991 Marthaler et al. .... D3/257

\* cited by examiner

*Primary Examiner*—Catherine R. Oliver  
(74) *Attorney, Agent, or Firm*—Rutan & Tucker, LLP;  
Robert D. Fish

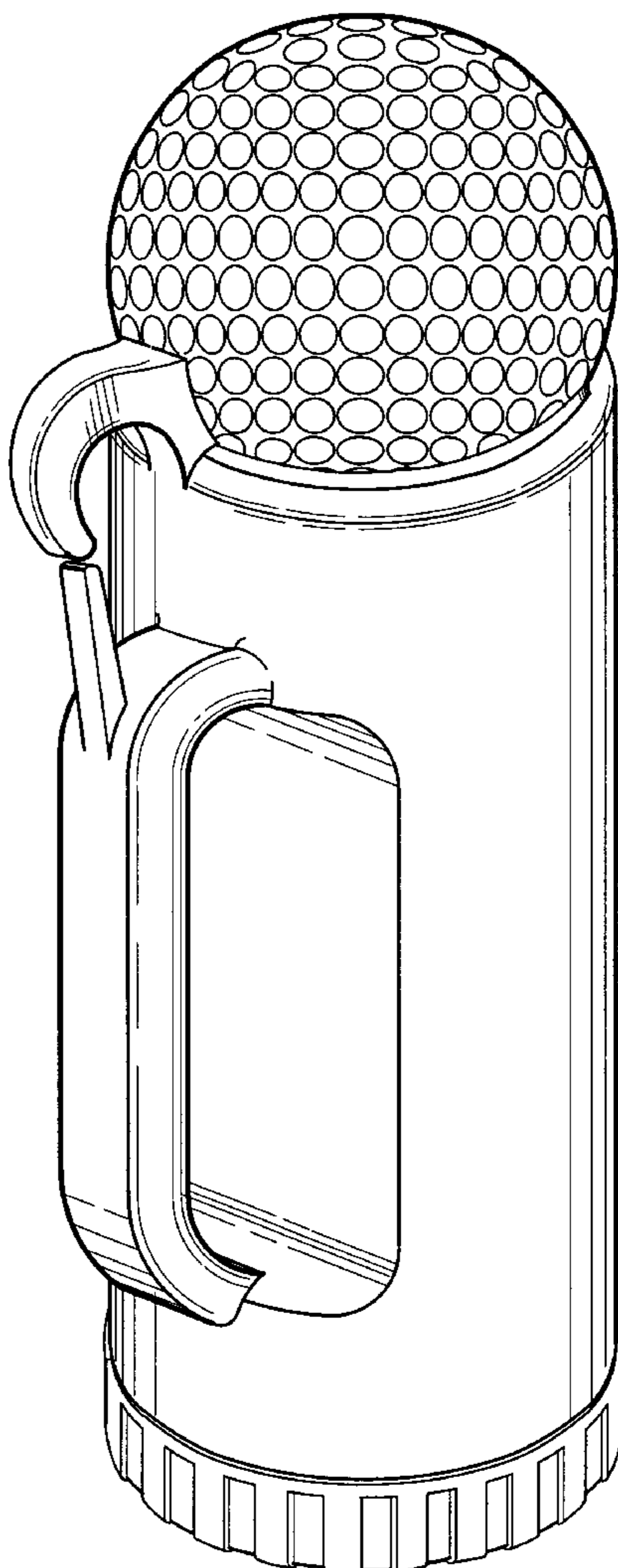
(57) **CLAIM**

The ornamental design for a container, as shown and described.

**DESCRIPTION**

FIG. 1 is a top, left and rear perspective view of a container showing my new design;  
FIG. 2 is a right side elevation view thereof, the left side elevation view being a mirror image thereof;  
FIG. 3 is a front elevation view thereof;  
FIG. 4 is a rear elevation view thereof;  
FIG. 5 is a top plan view thereof;  
FIG. 6 is a bottom view thereof; and,  
FIG. 7 is an exploded view, showing the closure removed from the bottom of the container.

**1 Claim, 6 Drawing Sheets**



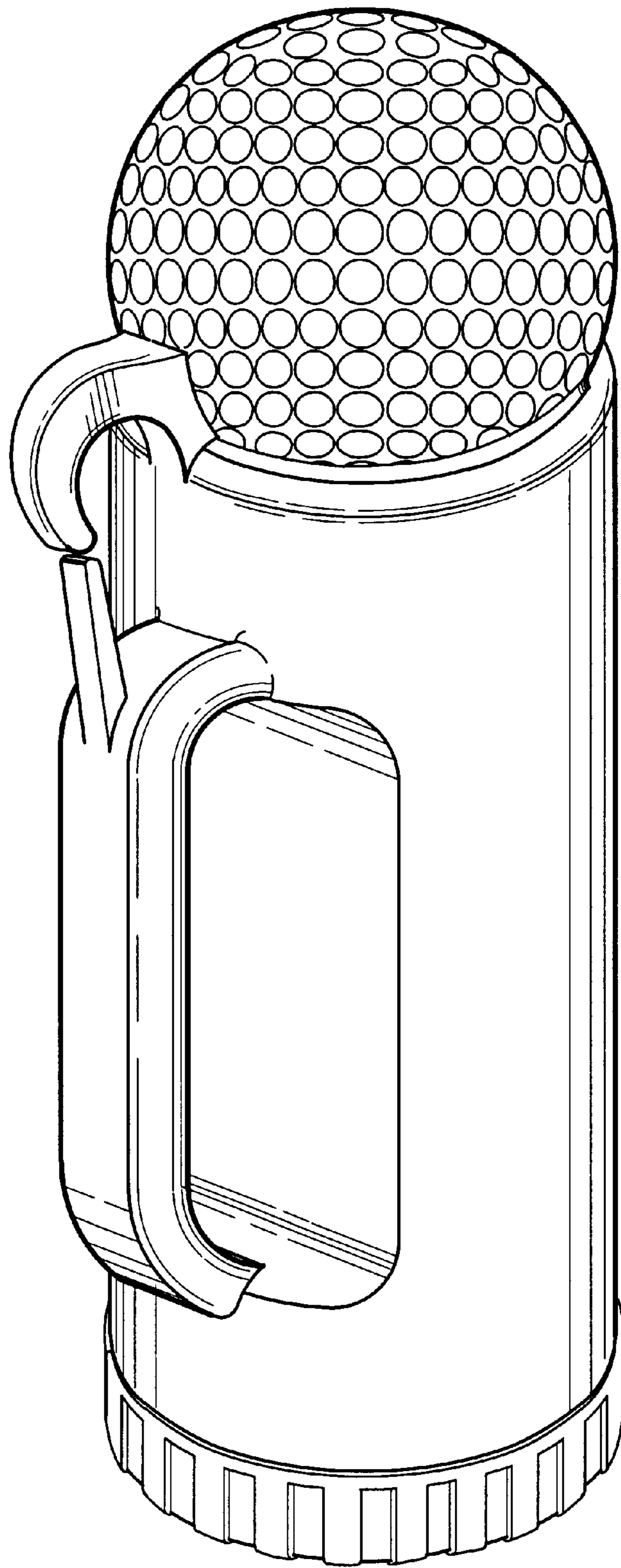


FIG 1

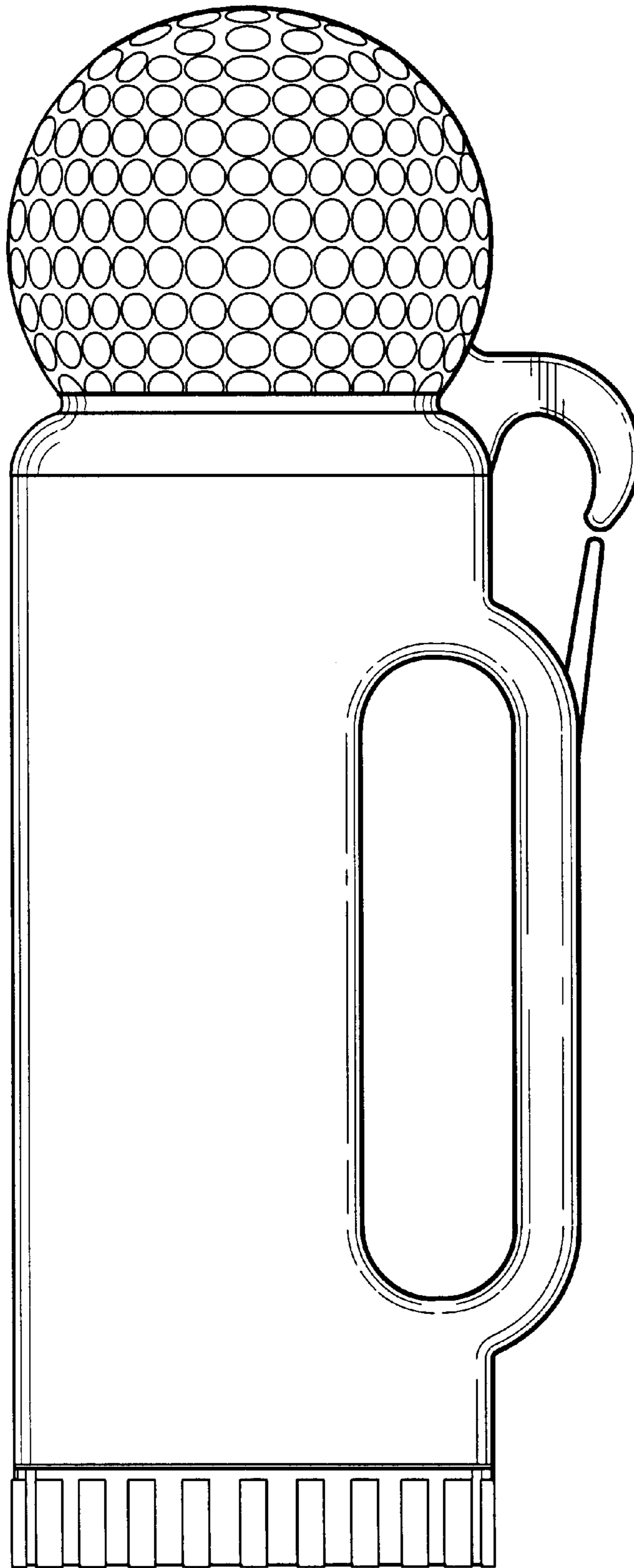


FIG 2

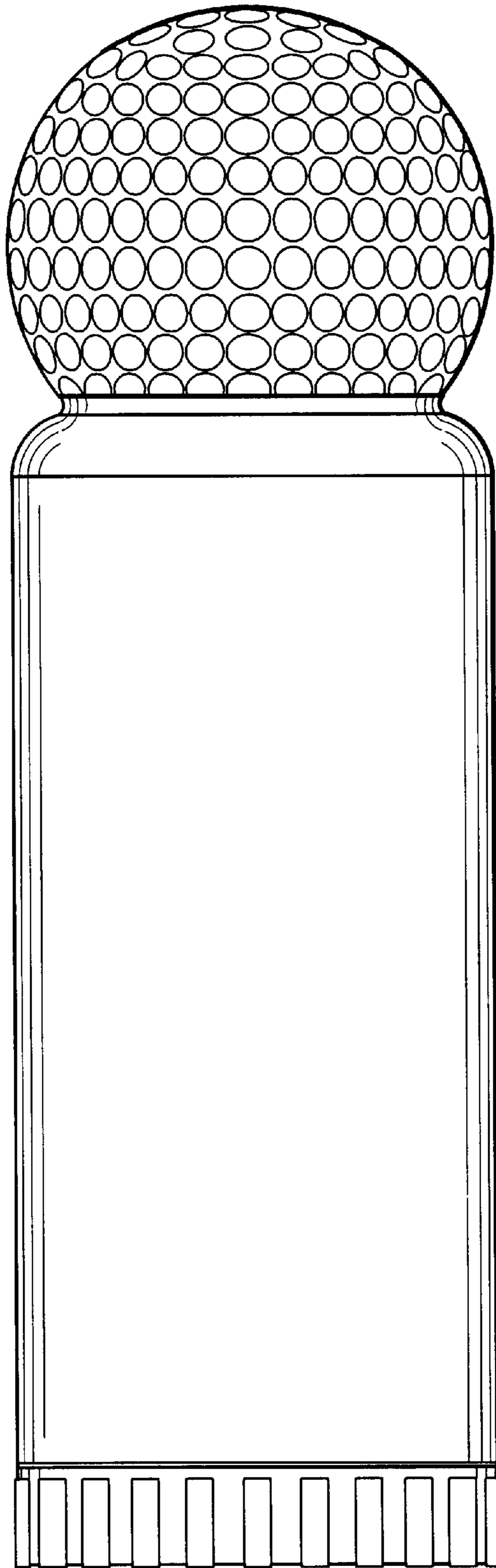


FIG 3

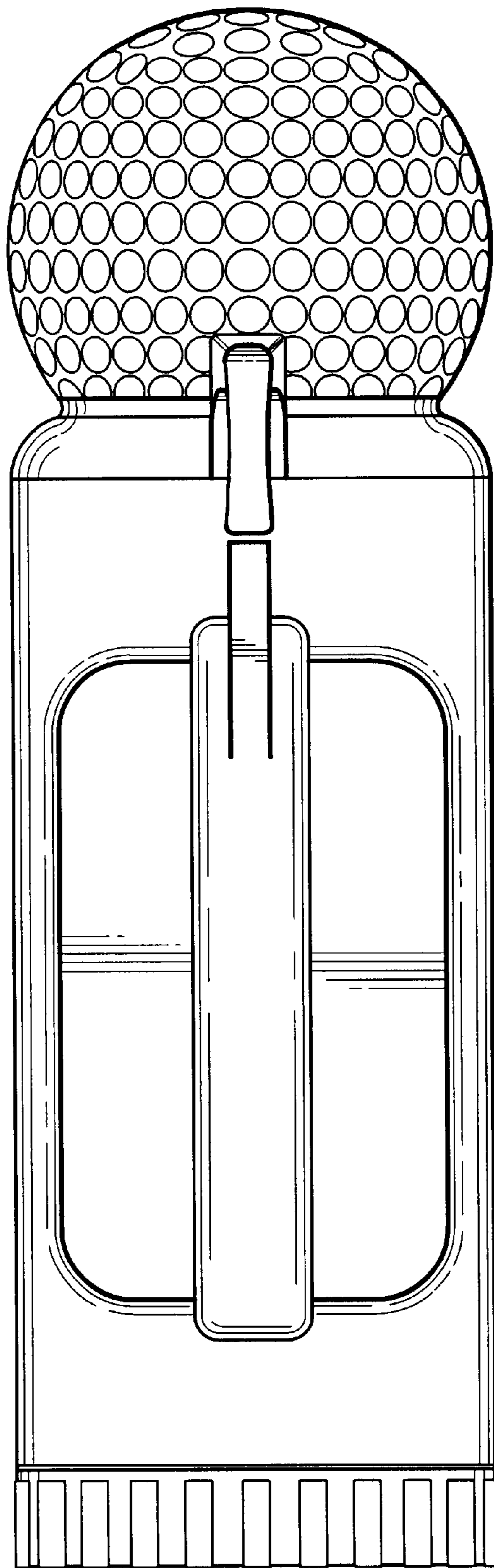
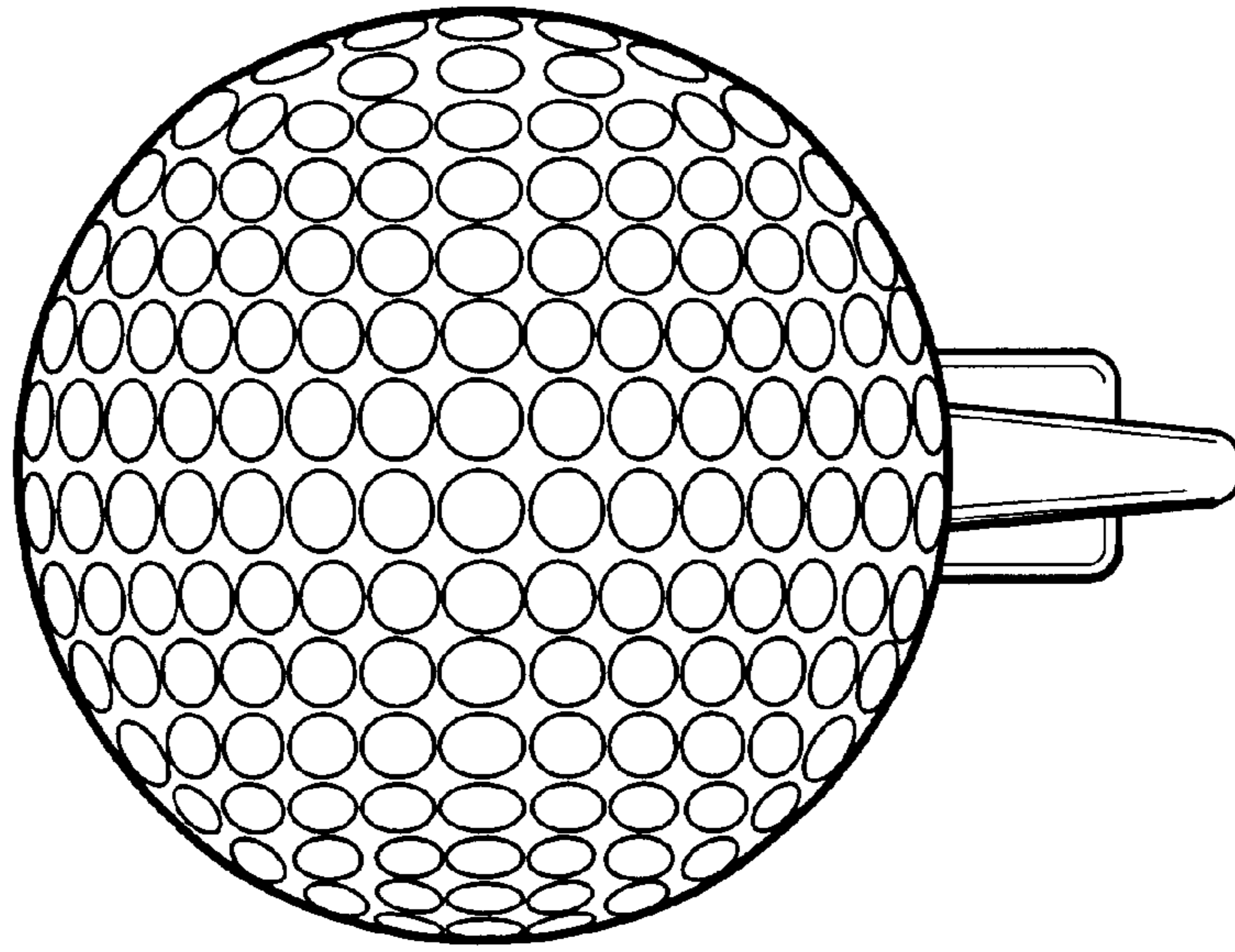
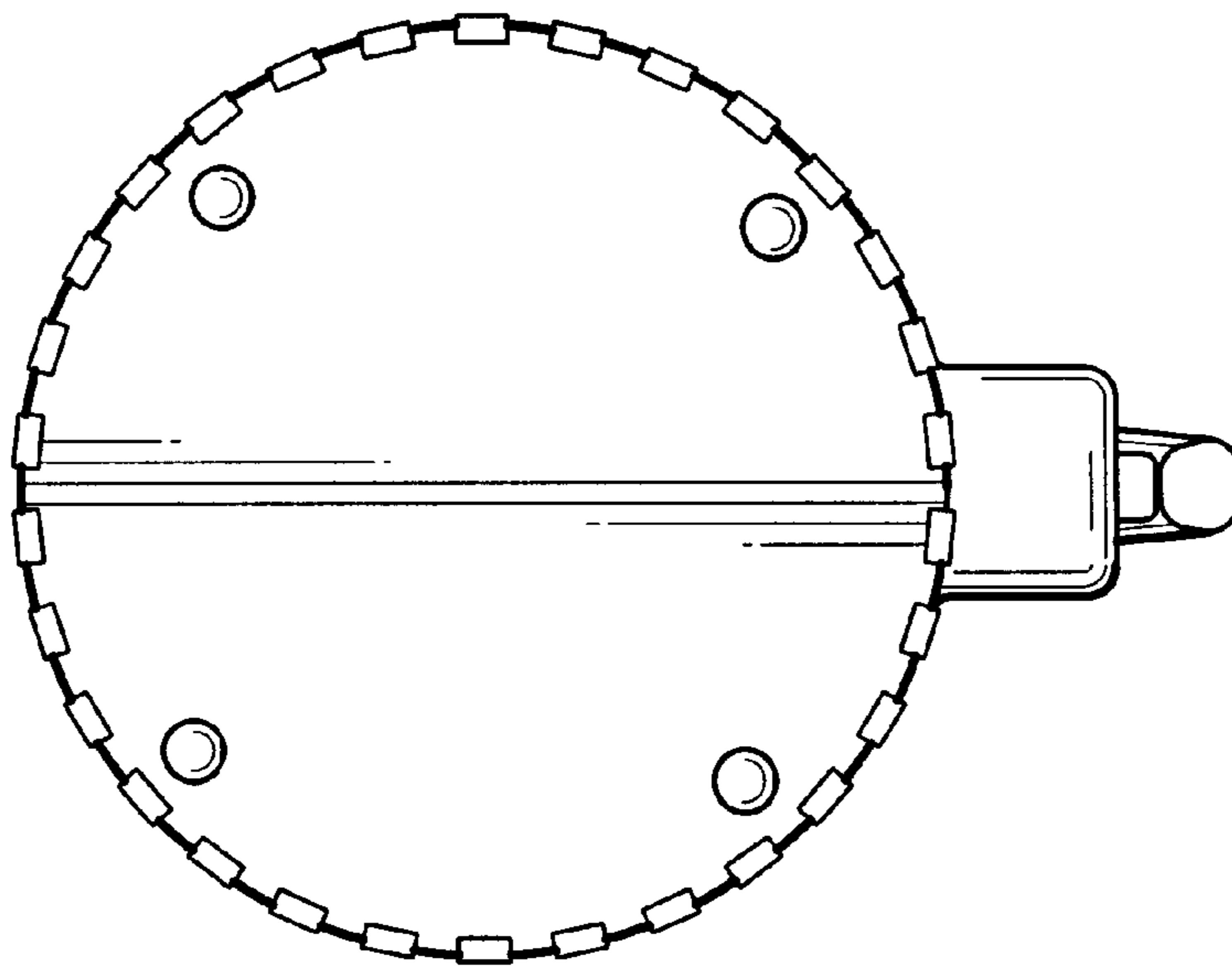


FIG 4





**FIG 5**



**FIG 6**

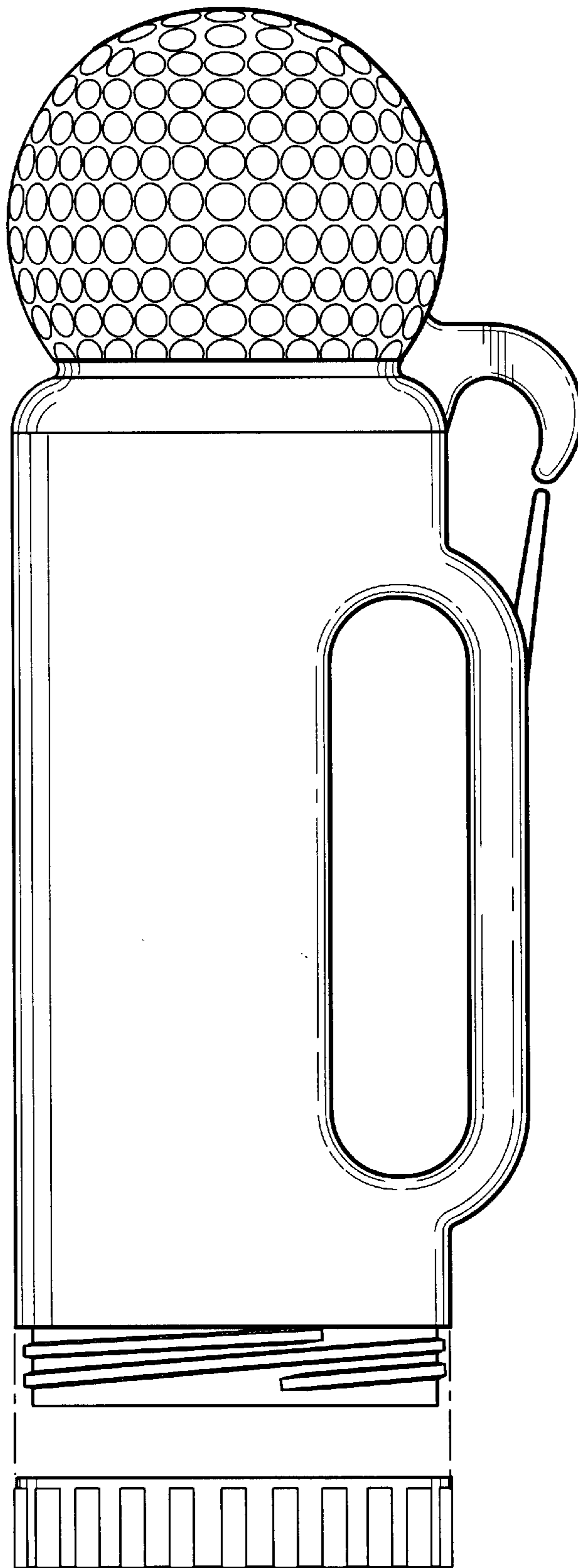


FIG 7