



US00D488915S

(12) **United States Design Patent**  
**Girbaud et al.**

(10) **Patent No.:** **US D488,915 S**

(45) **Date of Patent:** **\*\* Apr. 27, 2004**

(54) **PAIR OF SHOE SOLES**

D465,079 S \* 11/2002 Merceron ..... D2/954

(76) Inventors: **Francois Girbaud**, 2 Ennismore Gardens, London (GB), SW7 1NL;  
**Marie-Therese Bachellerie**, 2 Ennismore Gardens, London (GB), SW7 1NL

\* cited by examiner

*Primary Examiner*—Celia Murphy  
(74) *Attorney, Agent, or Firm*—Thomas S. Baker, Jr.

(\*\*) Term: **14 Years**

(57) **CLAIM**

The ornamental design for a pair of shoe soles, as shown and described.

(21) Appl. No.: **29/178,000**

**DESCRIPTION**

(22) Filed: **Mar. 19, 2003**

(30) **Foreign Application Priority Data**

Oct. 24, 2002 (WO) ..... DM/062 618

(51) **LOC (7) Cl.** ..... **02-04**

(52) **U.S. Cl.** ..... **D2/955; D2/951; D2/954**

(58) **Field of Search** ..... D2/946–949, 951–960;  
36/3 B, 22 R, 25 R, 30 R, 32 A, 32 R,  
59 R, 67 A, 67 B

FIG. 1 is a bottom view of the right shoe sole of the present invention;

FIG. 2 is a right side view of the right shoe sole of the subject invention with the right side view of the left shoe sole being a mirror image thereof;

FIG. 3 is a rear view of the right shoe sole of the present invention with the rear view of the left shoe sole being a mirror image thereof;

FIG. 4 is a front view of the right shoe sole of the present invention with the front view of the left shoe sole being a mirror image thereof;

FIG. 5 is a left side view of the right shoe sole of the instant invention with the left side view of the left shoe sole being a mirror image thereof; and,

FIG. 6 is a bottom view of the left shoe sole of the present invention.

The broken lines shown in FIGS. 2–5 illustrate the environment in which the design resides, and forms no part of the claim.

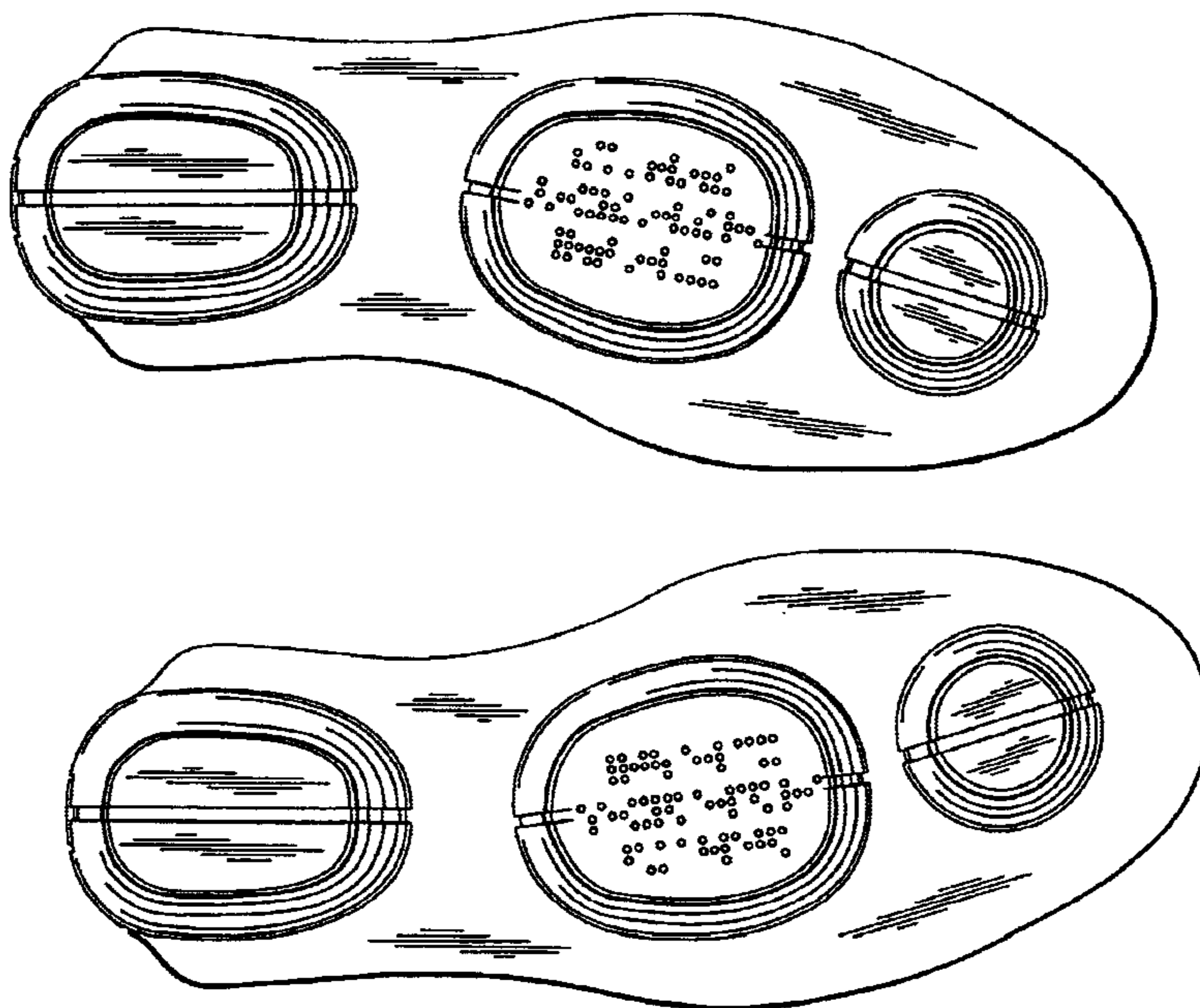
The claim is directed to the appearance of a pair of shoe soles. The pair is shown separately for the purpose of showing aspects of the design that are not apparent from the other views, and for the convenience of illustration.

(56) **References Cited**

**U.S. PATENT DOCUMENTS**

3,100,354 A	*	8/1963	Lombard et al.	
4,237,625 A	*	12/1980	Cole et al. ....	36/28
D373,674 S	*	9/1996	Dolinsky .....	D2/956
D388,593 S	*	1/1998	Ferro .....	D2/947
D398,440 S	*	9/1998	Rowland .....	D2/951
D401,744 S	*	12/1998	Greenberg .....	D2/955
D429,408 S	*	8/2000	Gillespie .....	D2/951
D429,409 S	*	8/2000	Gillespie .....	D2/954
D430,723 S	*	9/2000	Kim .....	D2/902
D443,974 S	*	6/2001	Schelling .....	D2/947
D461,947 S	*	8/2002	Merceron .....	D2/956
D462,509 S	*	9/2002	Merceron .....	D2/956

**1 Claim, 2 Drawing Sheets**



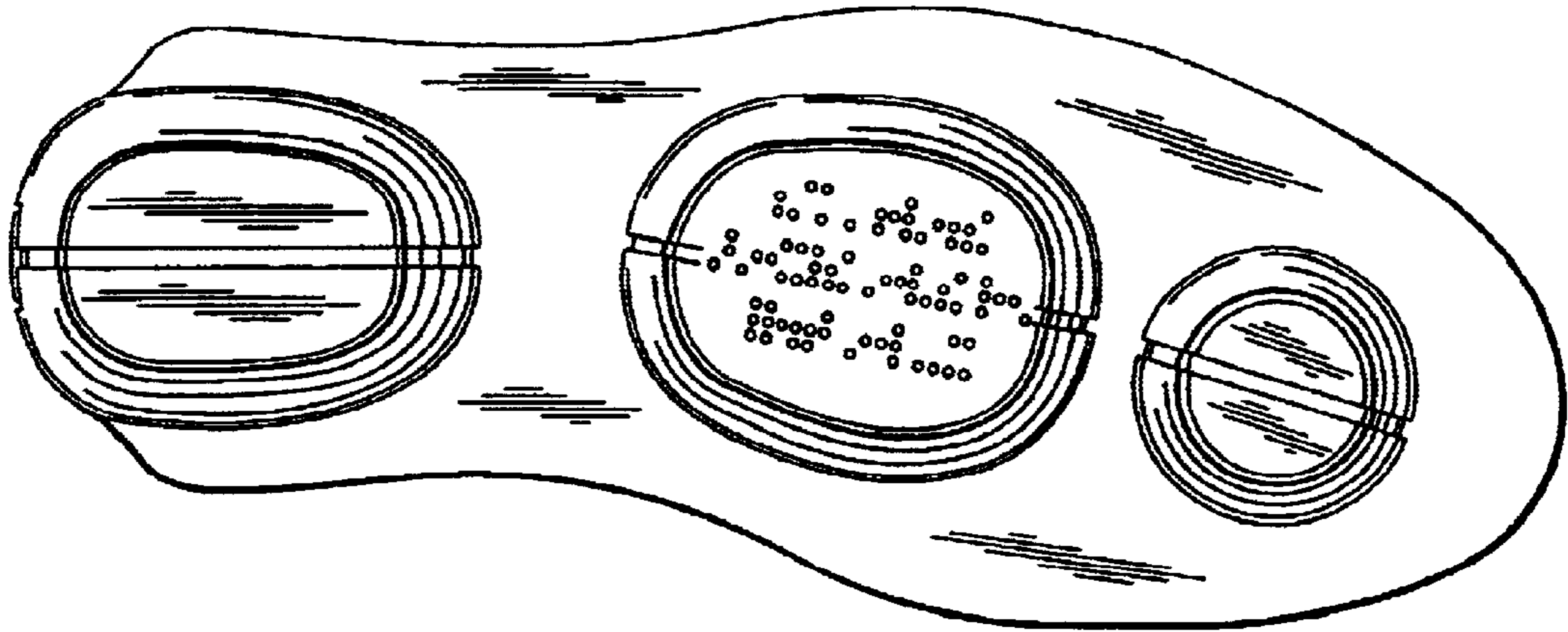


FIG. 1

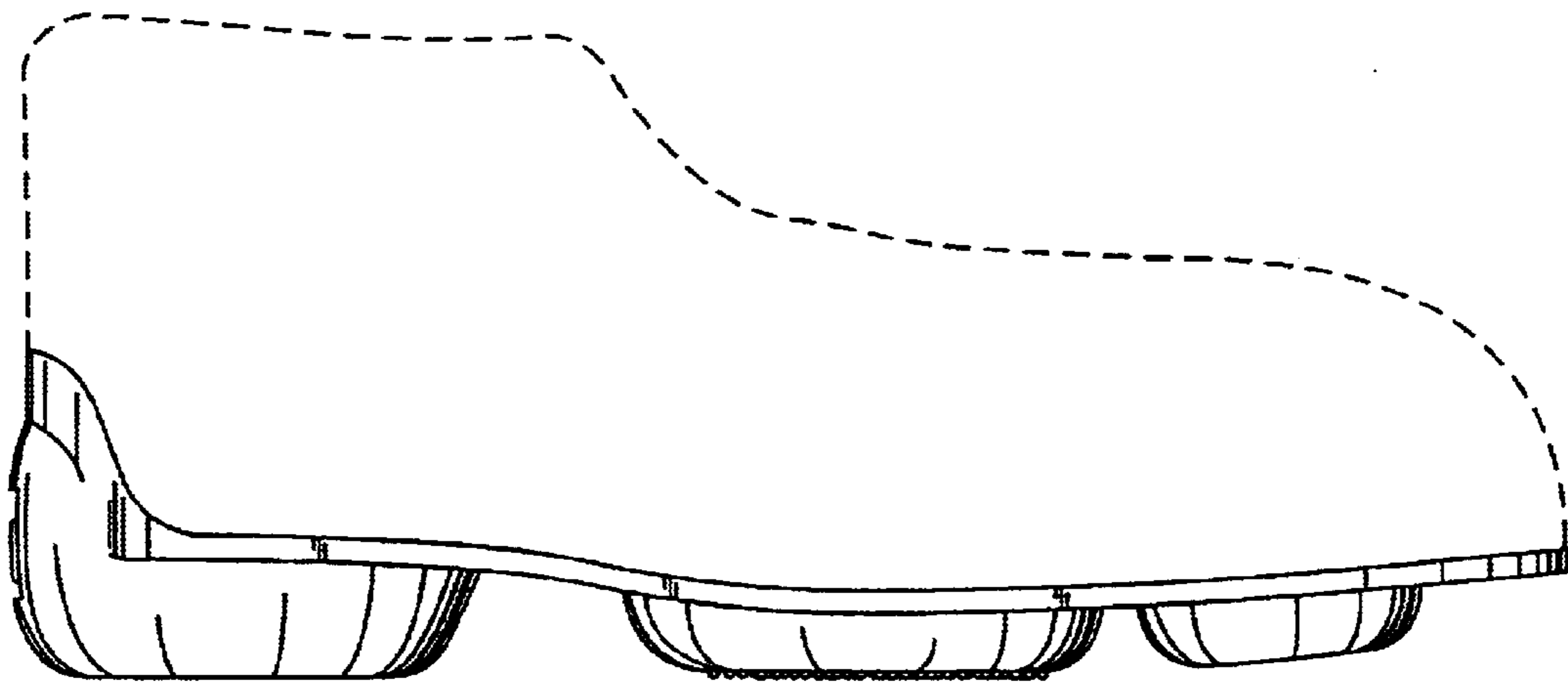


FIG. 2

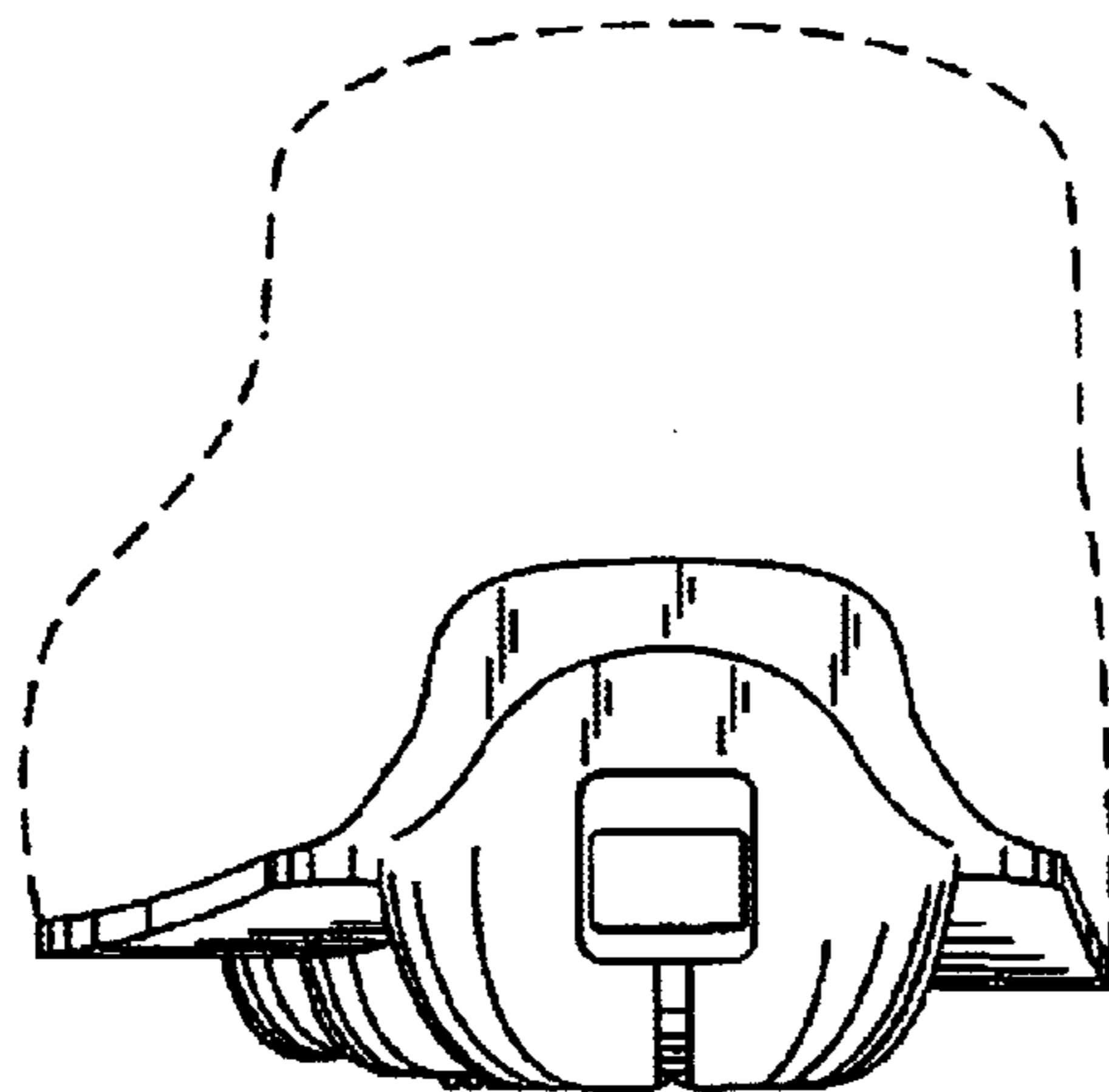


FIG. 3

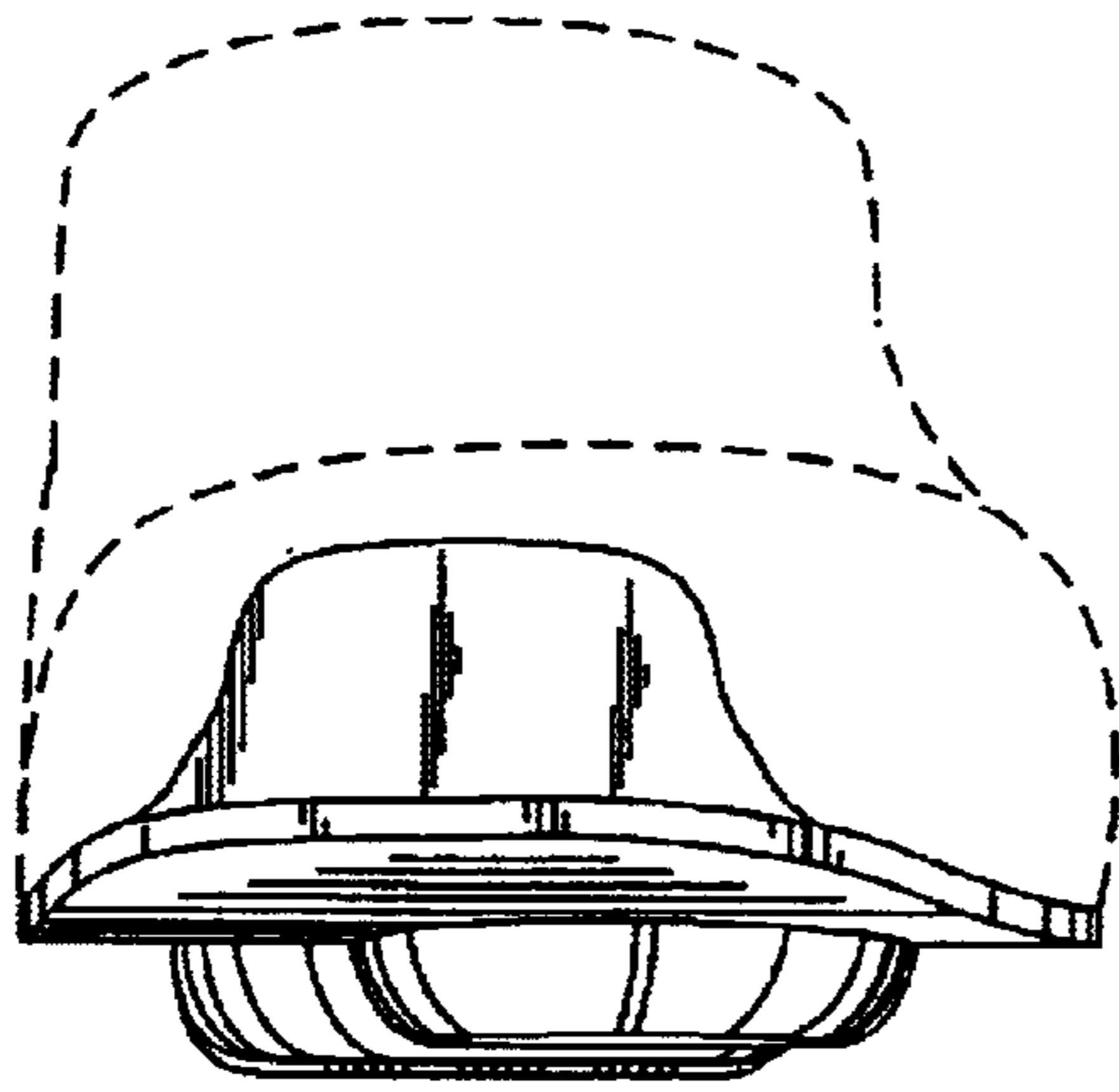


FIG. 4

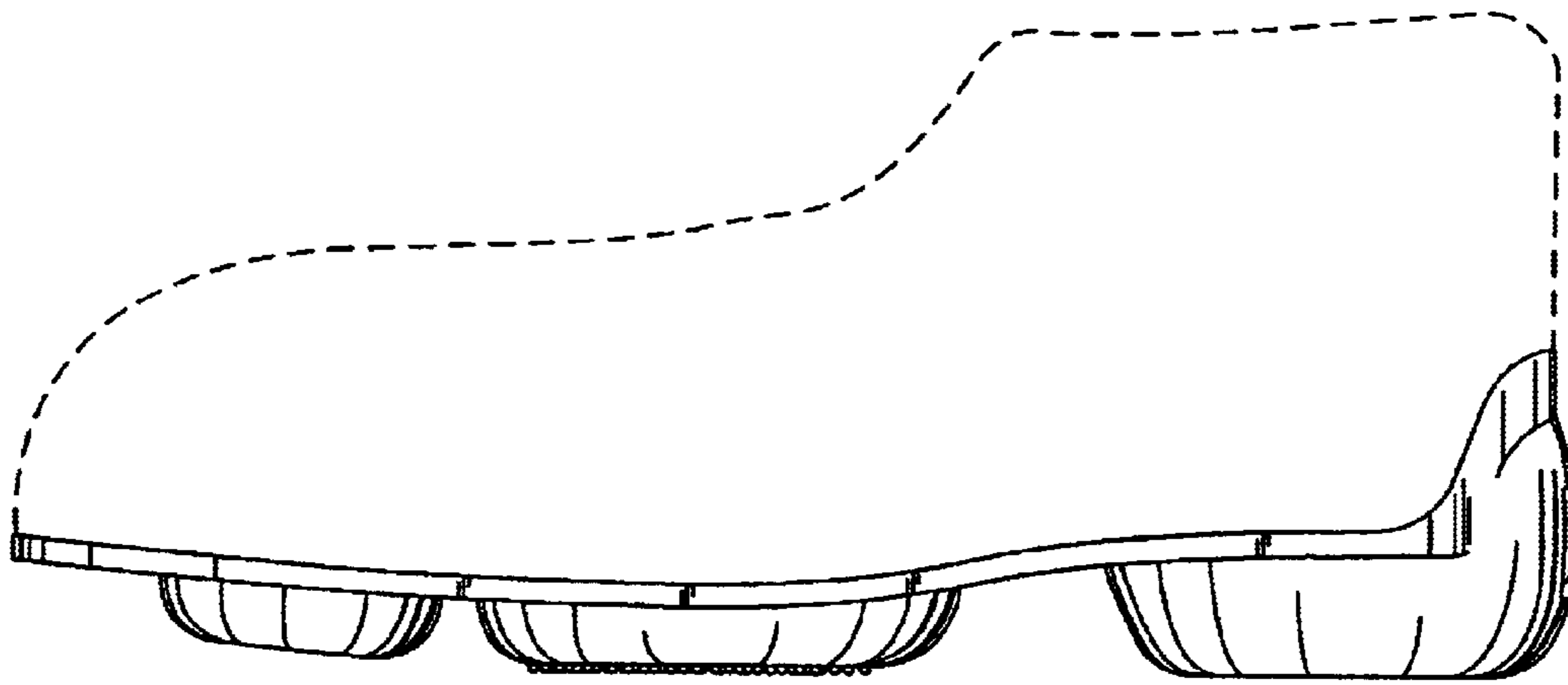


FIG. 5

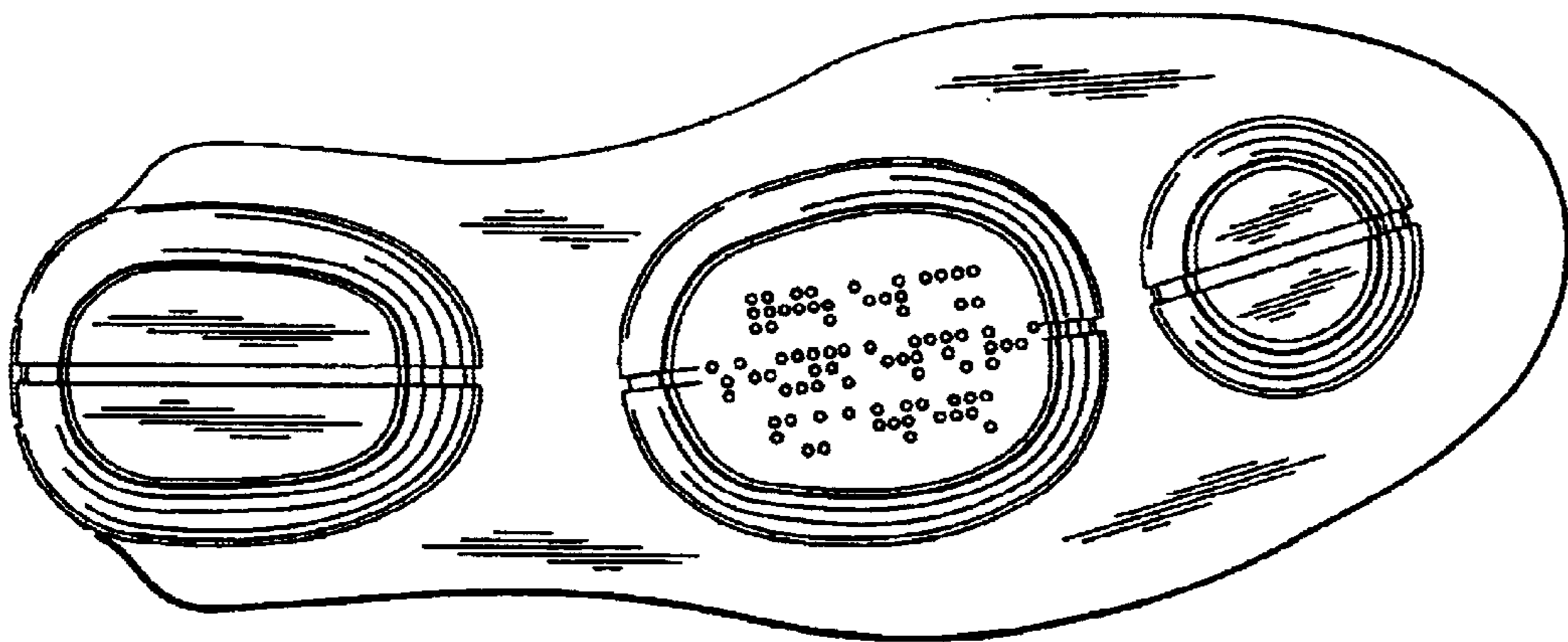


FIG. 6