



US00D488910S

(12) **United States Design Patent**
Lynch et al.

(10) **Patent No.:** **US D488,910 S**

(45) **Date of Patent:** **** Apr. 20, 2004**

(54) **DOOR FOR SECURITY SAFES AND GUN CABINETS**

D341,017 S * 11/1993 Abe D99/43

* cited by examiner

(75) Inventors: **Peter F. Lynch**, Skaneateles, NY (US);
Scott W. Osiecki, Skaneateles, NY (US);
Chad P. Paris, Coram, NY (US)

Primary Examiner—Paula A. Mortimer
(74) *Attorney, Agent, or Firm*—Jaeckle Fleischmann & Mugel, LLP

(73) Assignee: **John D. Brush & Co., Inc.**, Rochester, NY (US)

(57) **CLAIM**

(**) Term: **14 Years**

The ornamental design for a door for security safes and gun cabinets, as shown and described.

(21) Appl. No.: **29/176,716**

DESCRIPTION

(22) Filed: **Feb. 26, 2003**

FIG. 1 is a perspective view of a first embodiment of the design;

(51) **LOC (7) Cl.** **99-00**

FIG. 2 is a top view of a first embodiment of the design;

(52) **U.S. Cl.** **D99/43**

FIG. 3 is an elevation view of a first embodiment of the design;

(58) **Field of Search** D99/28, 34, 43;
70/63, 351, 370, 452, 454, 455; 232/43.2,
43.3, 4 R; 109/64, 93; D6/448, 510, 398

FIG. 4 is a side view of a first embodiment of the design;

FIG. 5 is a perspective view of a second embodiment of the design;

(56) **References Cited**

U.S. PATENT DOCUMENTS

- 2,076,004 A * 4/1937 Ringseis 70/454
- D132,962 S * 7/1942 Salomon D6/510
- 4,489,577 A * 12/1984 Crepinser 70/452
- D281,920 S * 12/1985 Lacka D99/28
- D308,276 S * 5/1990 Appelbaum D99/28
- D327,793 S * 7/1992 McGrory D6/448

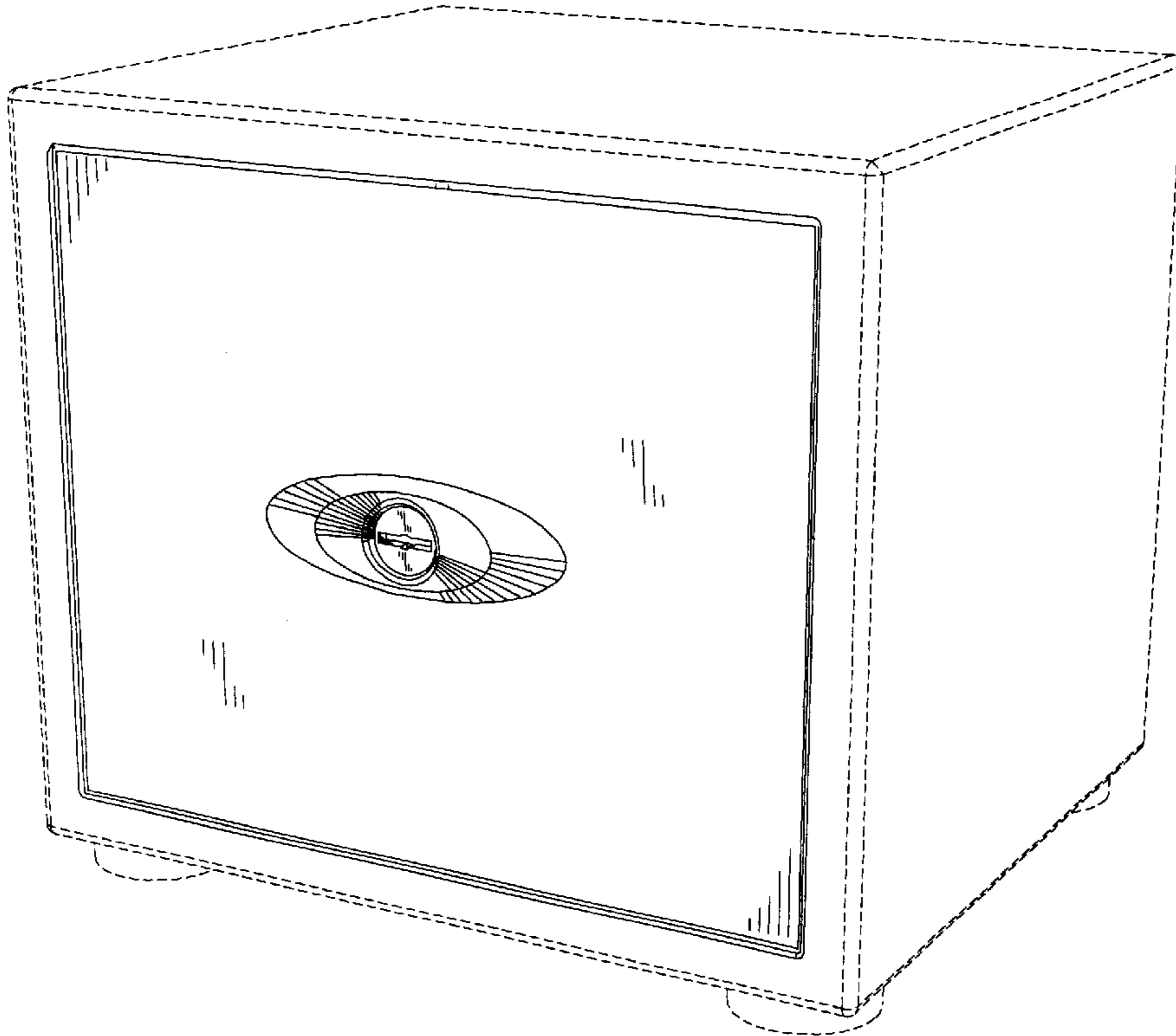
FIG. 6 is a top view of a second embodiment of the design;

FIG. 7 is an elevation view of a second embodiment of the design; and,

FIG. 8 is a side view of a second embodiment of the design.

The broken line showing of a security safe is for illustrative purposes only and forms no part of the claimed design.

1 Claim, 4 Drawing Sheets



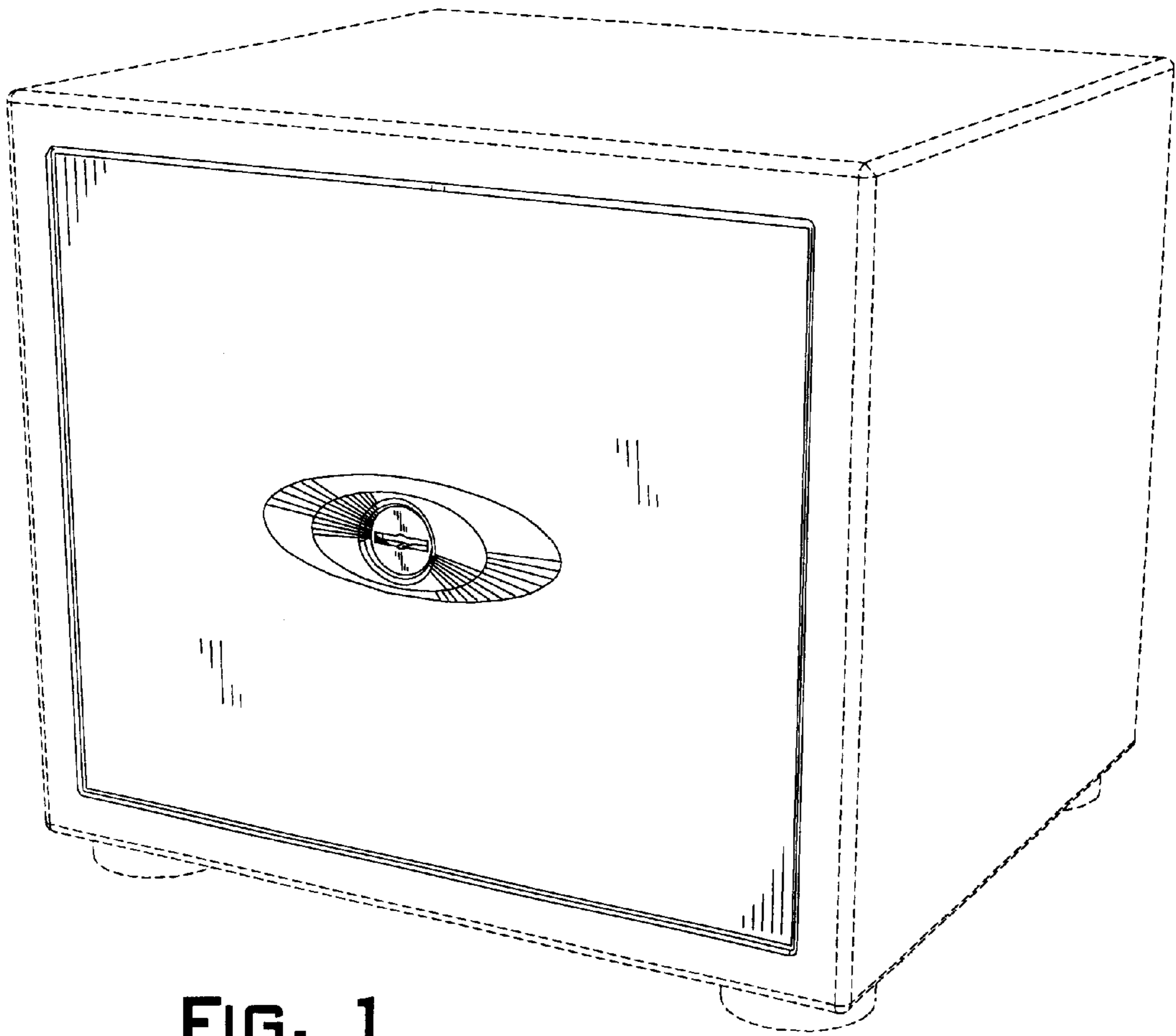


FIG. 1

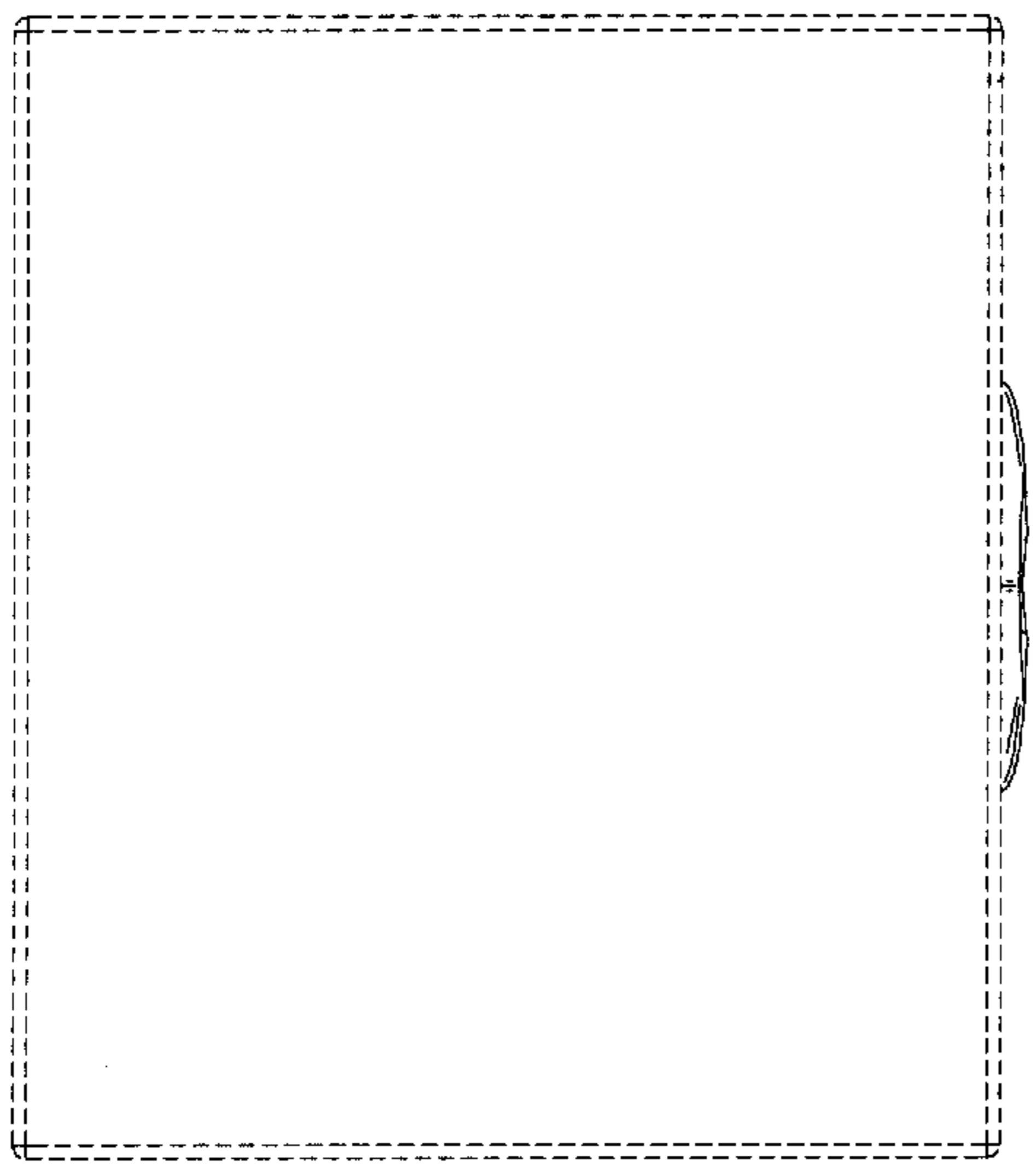


FIG. 2

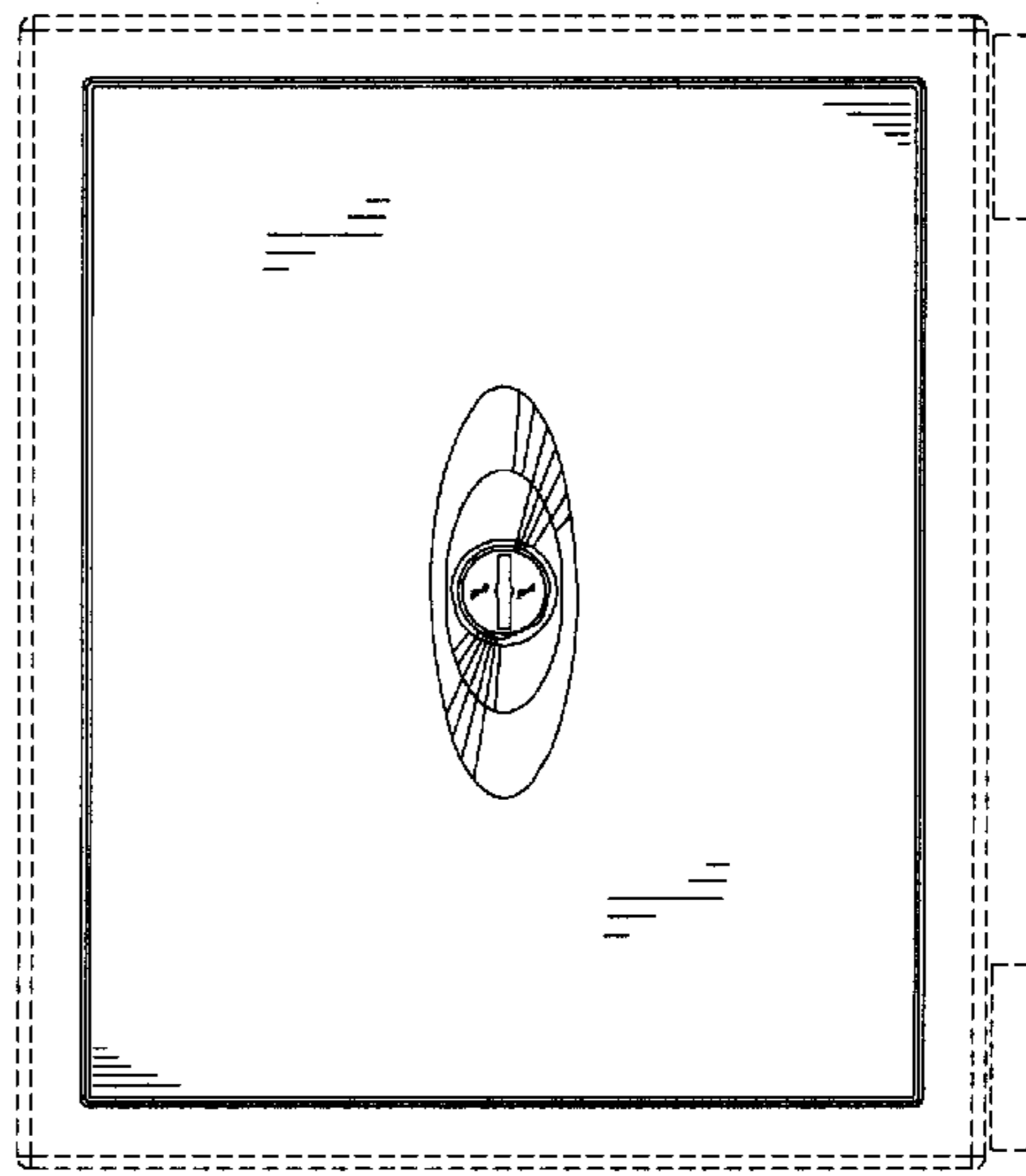


FIG. 3

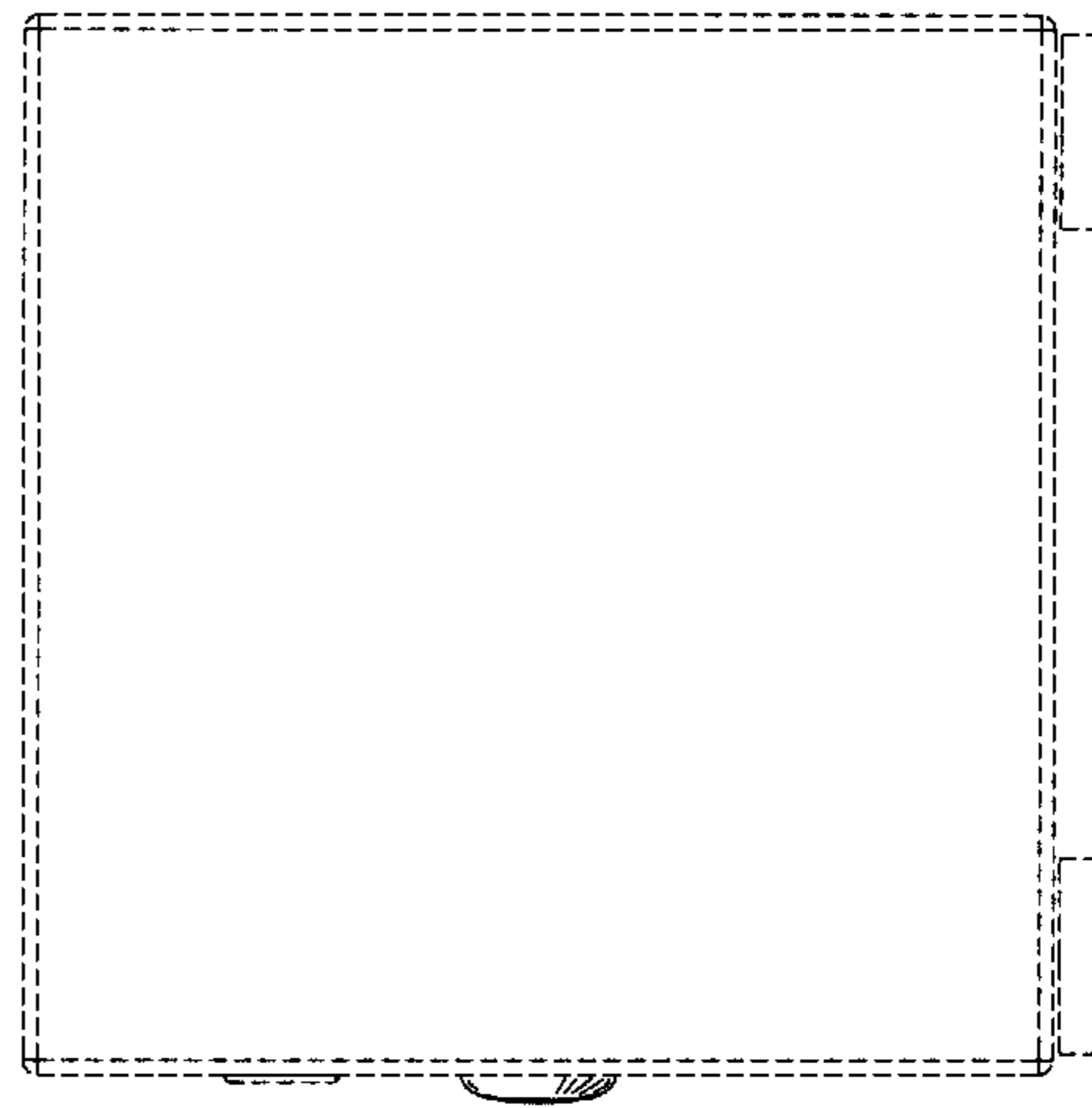


FIG. 4

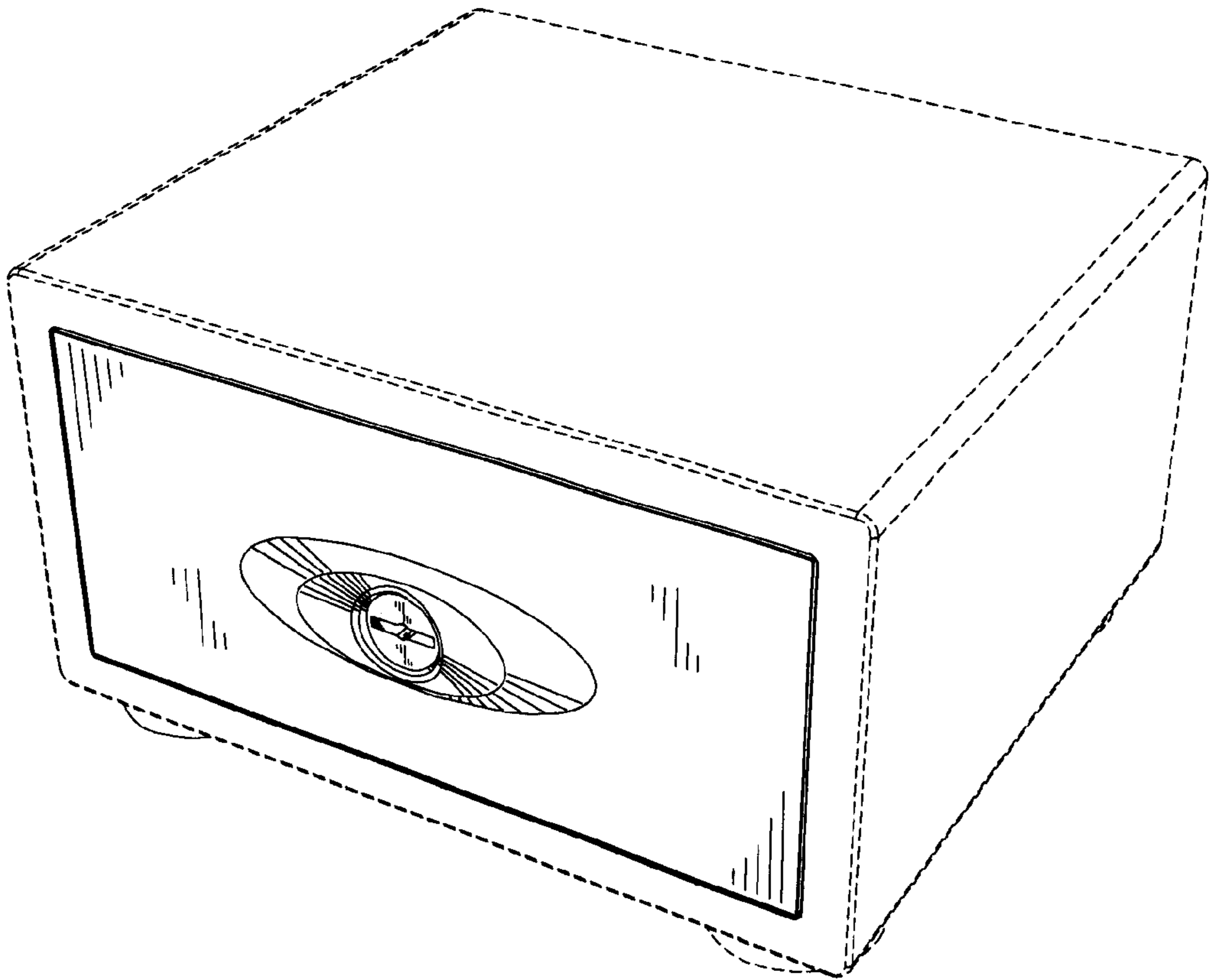


FIG. 5

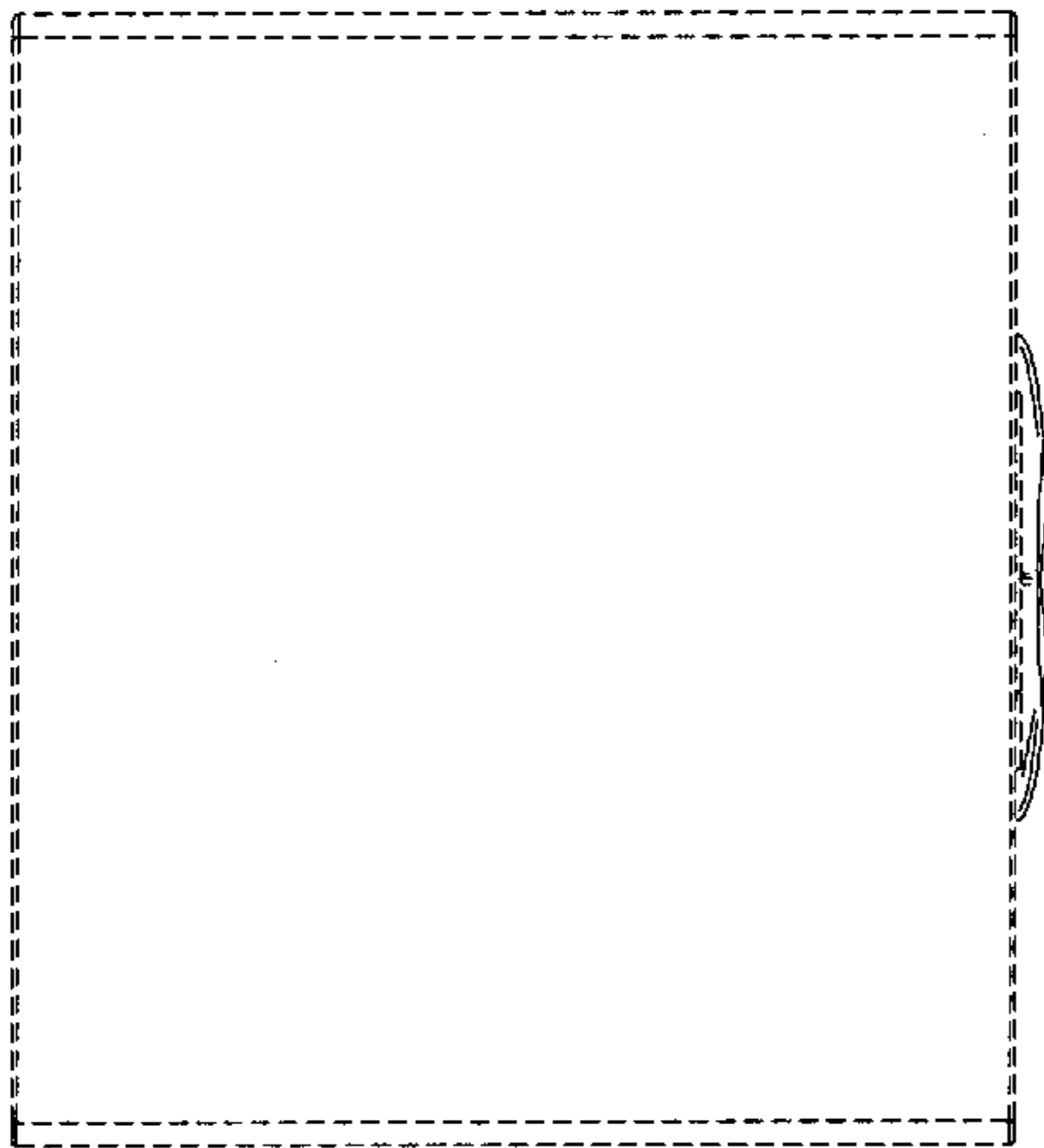


FIG. 6

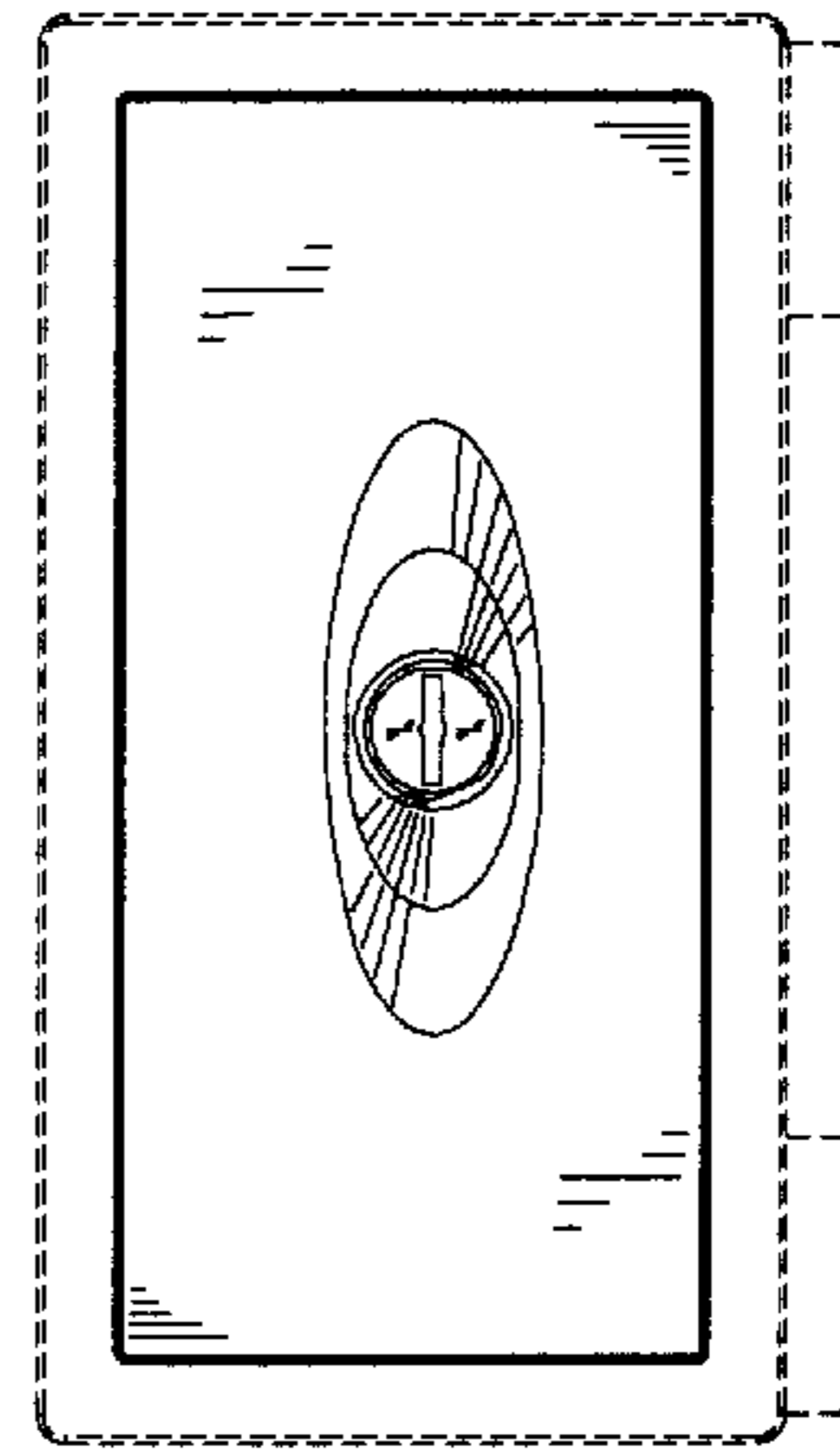


FIG. 7

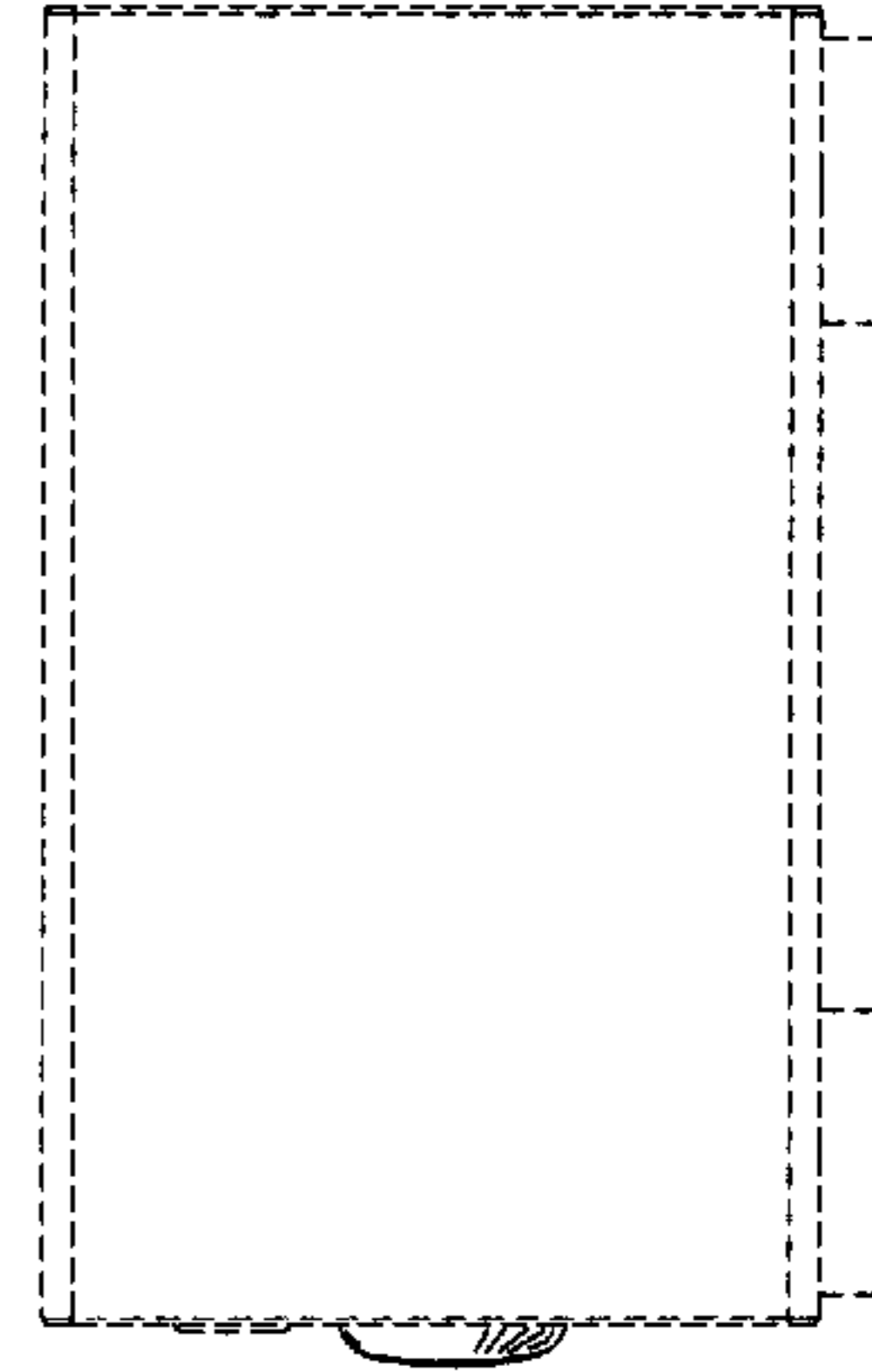


FIG. 8