



US00D488906S

(12) **United States Design Patent**
Tatsumi

(10) **Patent No.:** **US D488,906 S**

(45) **Date of Patent:** **** Apr. 20, 2004**

(54) **JACK APPARATUS FOR QUICK RAISING**

(75) **Inventor:** **Kimio Tatsumi, Shizuoka (JP)**

(73) **Assignee:** **Yasui Corporation, Shizuoka (JP)**

(**) **Term:** **14 Years**

D442,345 S	*	5/2001	Lee et al.	D34/31
D444,606 S	*	7/2001	Hsu	D34/31
D449,915 S	*	10/2001	Chang	D34/31
D452,597 S	*	12/2001	Hung	D34/31
D453,983 S	*	2/2002	Lin	D34/31
D454,419 S	*	3/2002	Lee et al.	D34/31

FOREIGN PATENT DOCUMENTS

(21) **Appl. No.:** **29/159,750**

JP 577792 6/1955

(22) **Filed:** **Apr. 26, 2002**

* cited by examiner

(51) **LOC (7) Cl.** **12-05**

Primary Examiner—Cynthia E. Ramirez

(52) **U.S. Cl.** **D34/31**

(74) *Attorney, Agent, or Firm*—Orum & Roth

(58) **Field of Search** D34/28, 31, 33;
254/8 B, 84, 11, 93 H, 2 B, 88, DIG. 3,
45, 94

(57) **CLAIM**

We claim the ornamental design for a jack apparatus for quick raising, as shown and described.

(56) **References Cited**

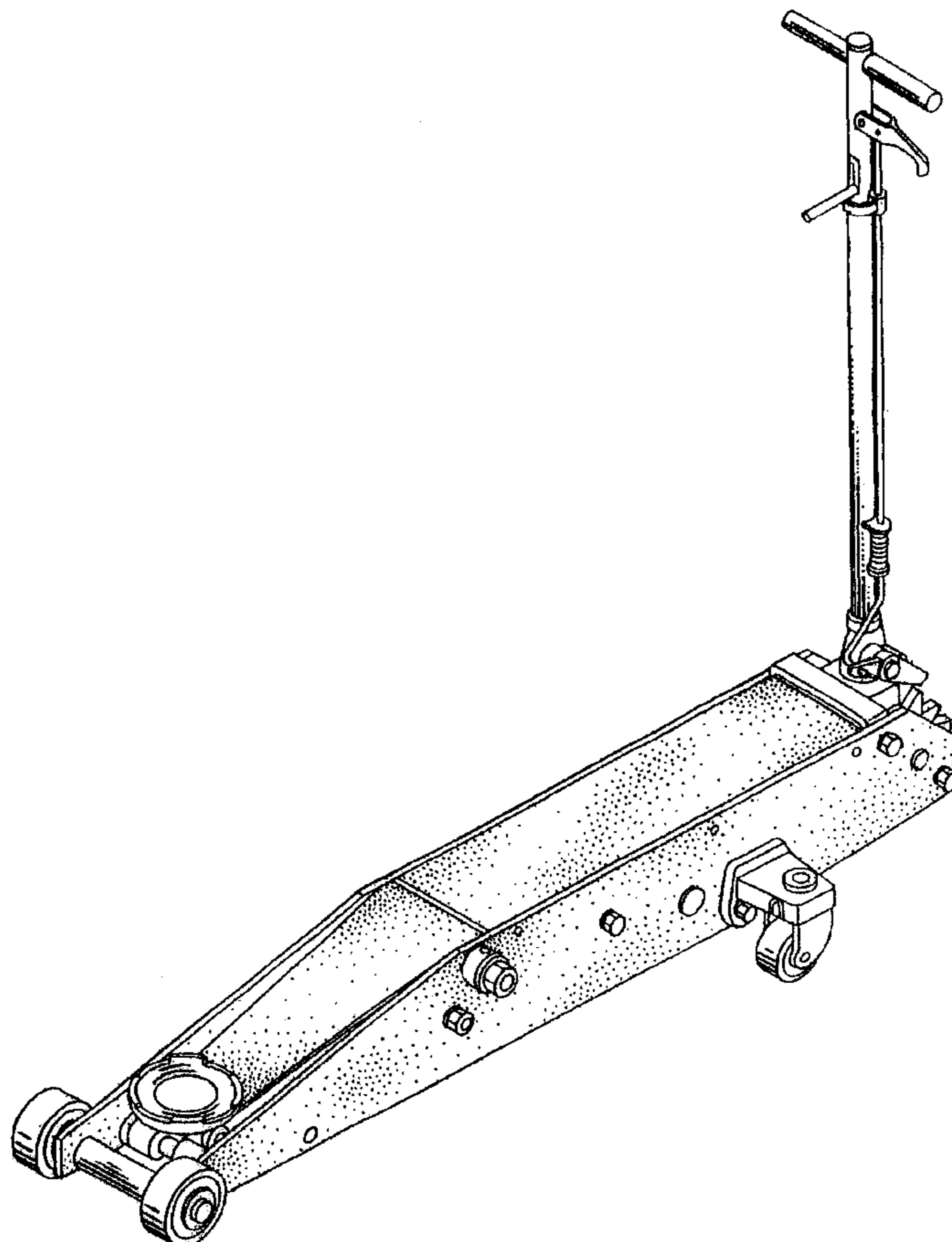
DESCRIPTION

U.S. PATENT DOCUMENTS

D109,498 S	*	5/1938	Pfauser	D34/31
D109,499 S	*	5/1938	Pfauser	D34/31
3,782,689 A		1/1974	Barasko	
D285,855 S	*	9/1986	Persson	D34/31
D358,923 S	*	5/1995	Hawkins	D34/31
D364,026 S	*	11/1995	Hung	D34/31
D398,730 S	*	9/1998	Lin	D34/31
D421,516 S	*	3/2000	Hung	D34/31
D423,750 S	*	4/2000	Hung	D34/31

FIG. 1 is a perspective view;
FIG. 2 is a top view;
FIG. 3 is a left side view;
FIG. 4 is a right side view;
FIG. 5 is a rear view;
FIG. 6 is a front view; and,
FIG. 7 is a bottom view.

1 Claim, 7 Drawing Sheets



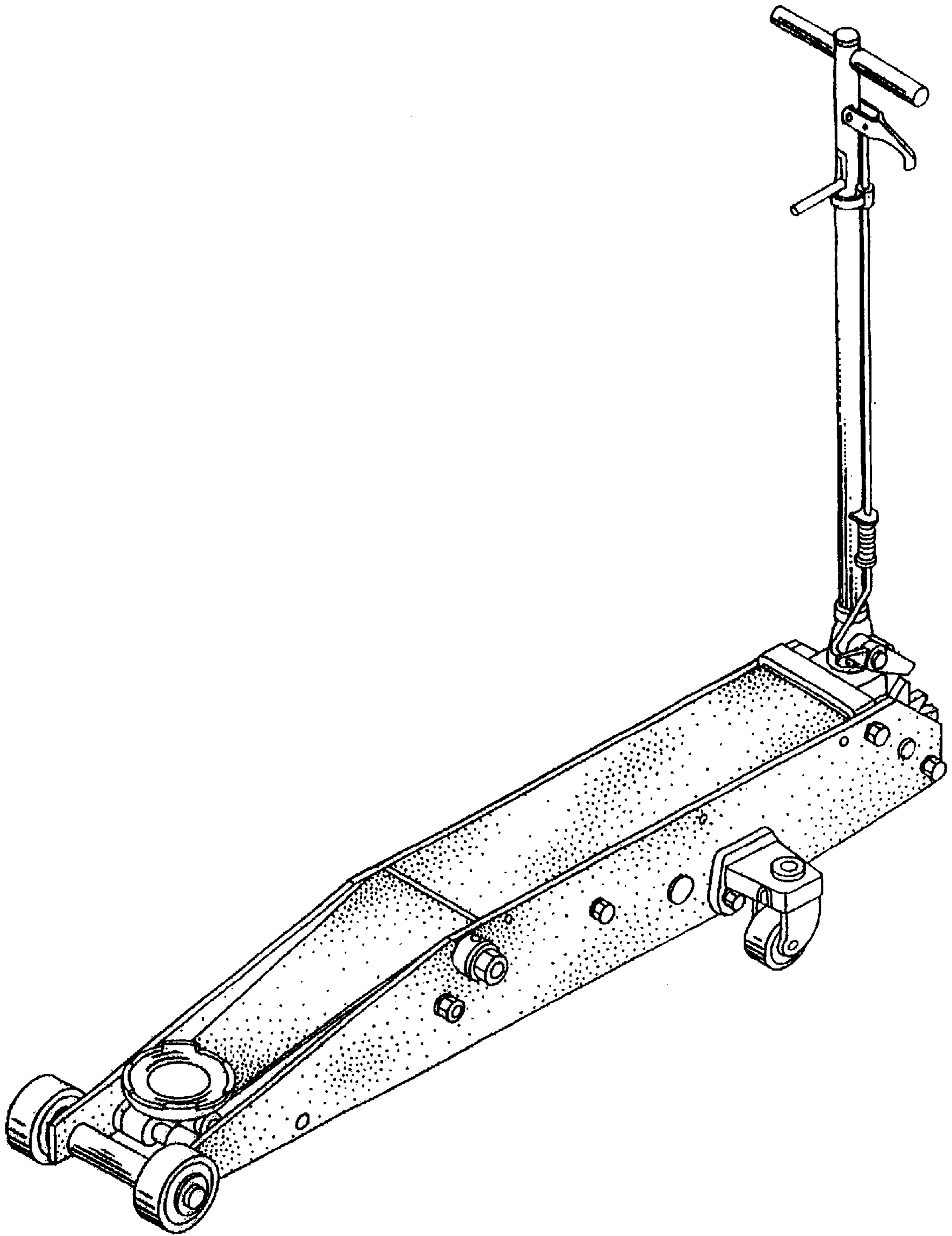


Figure 1

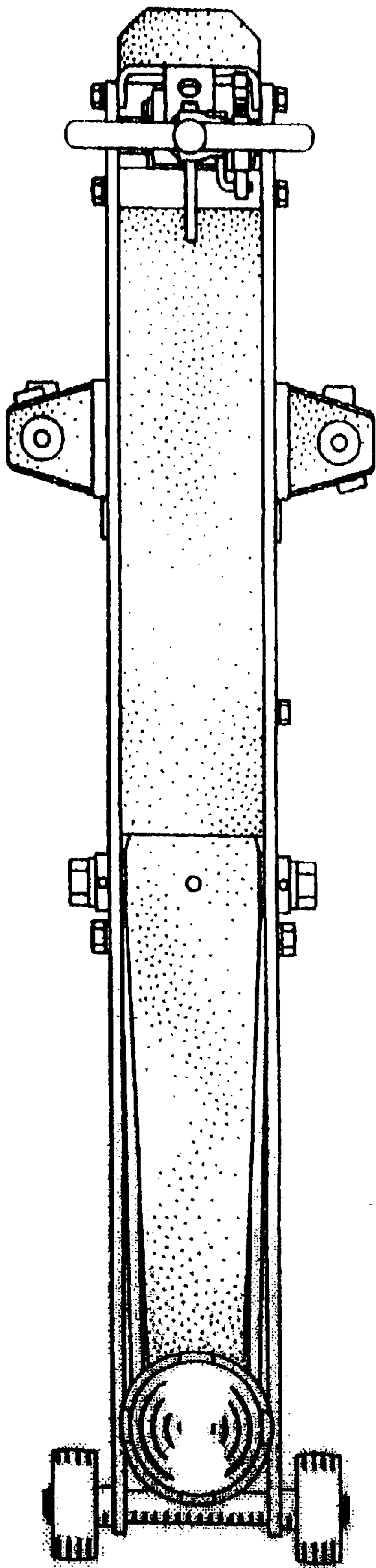


Figure 2

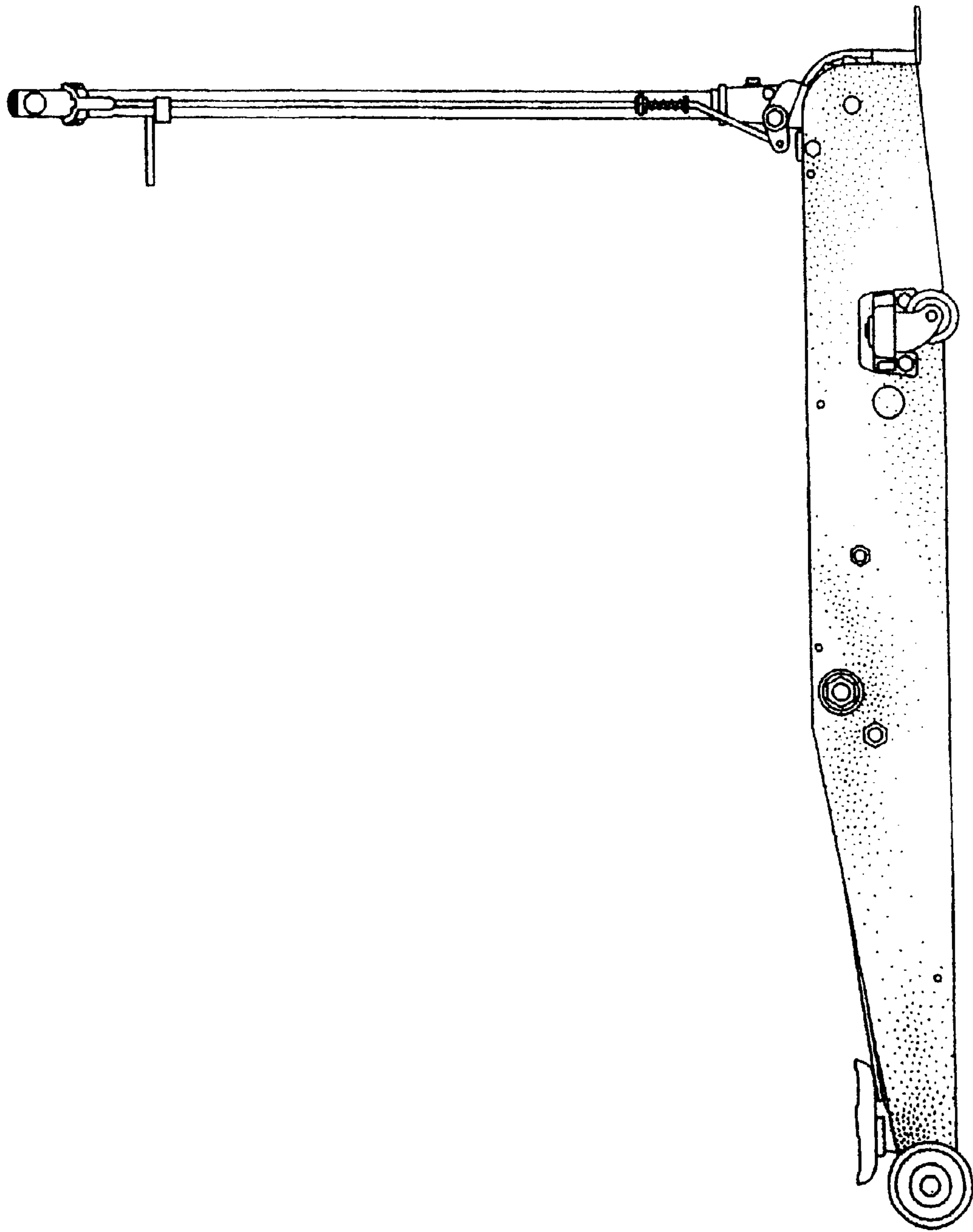


Figure 3

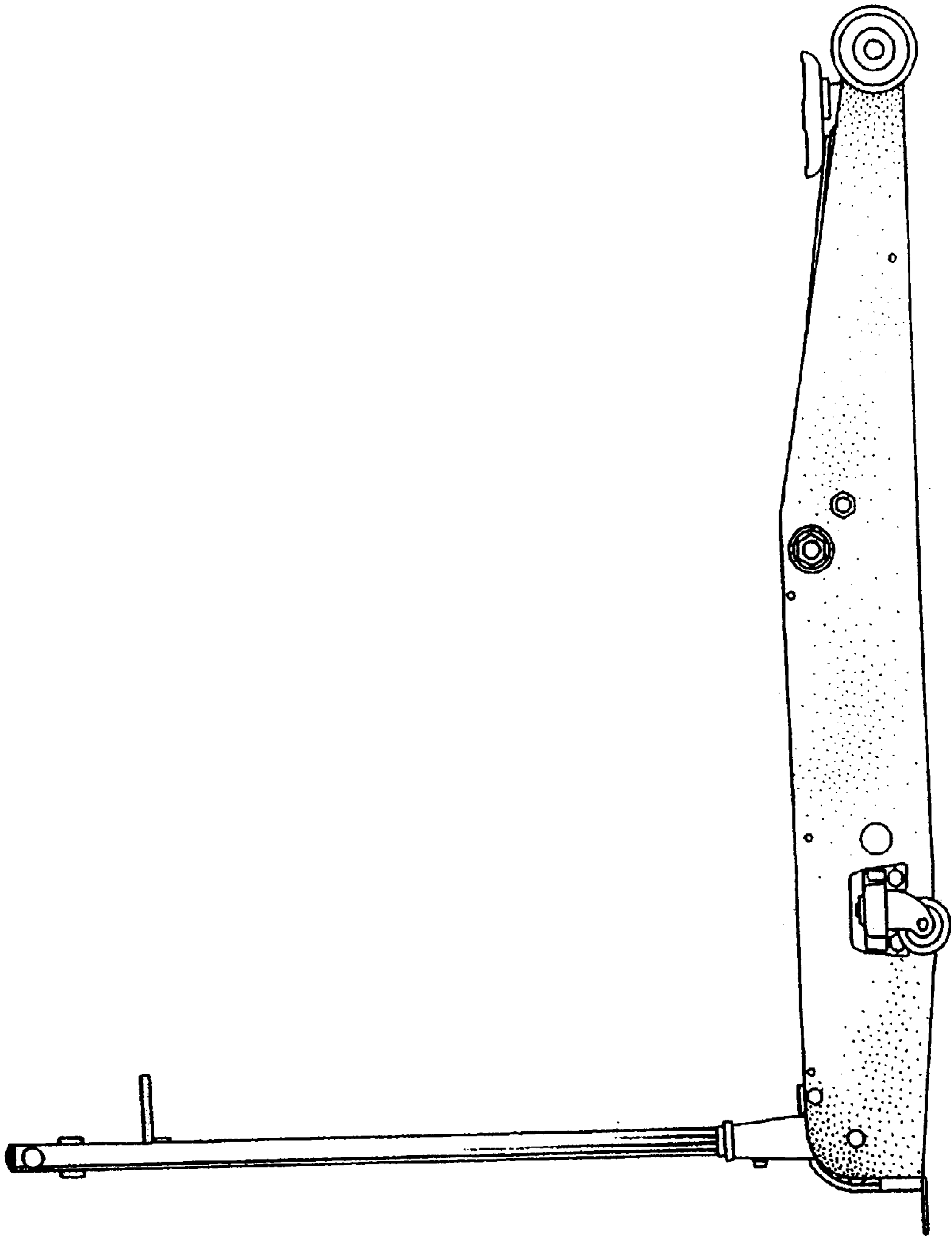


Figure 4

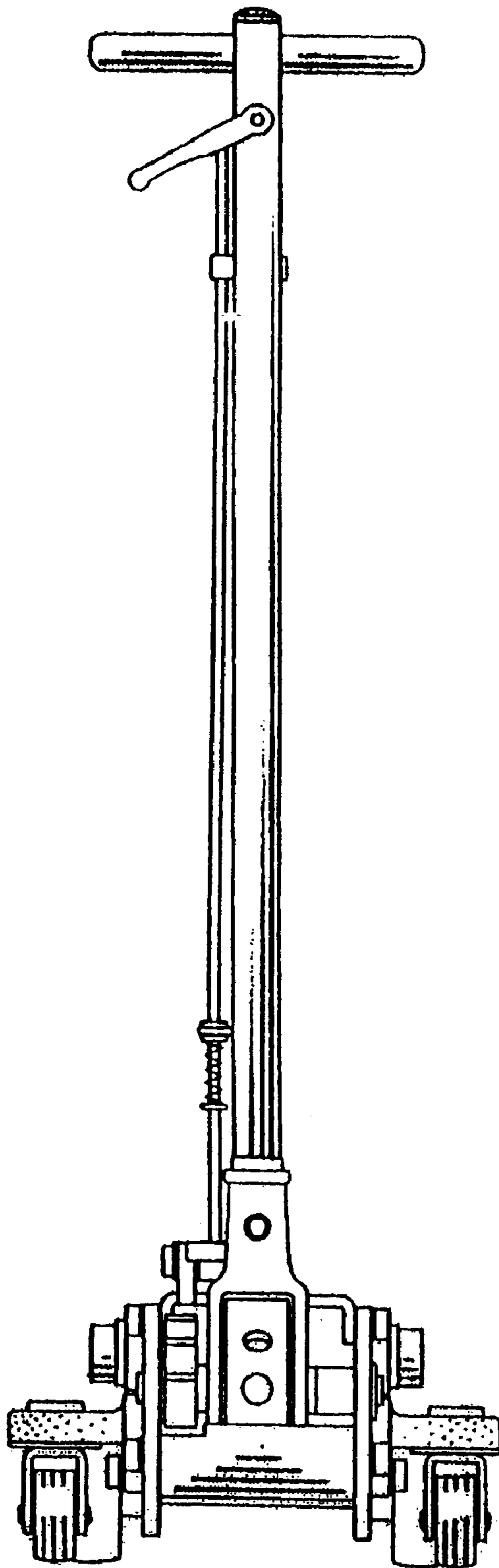


Figure 5

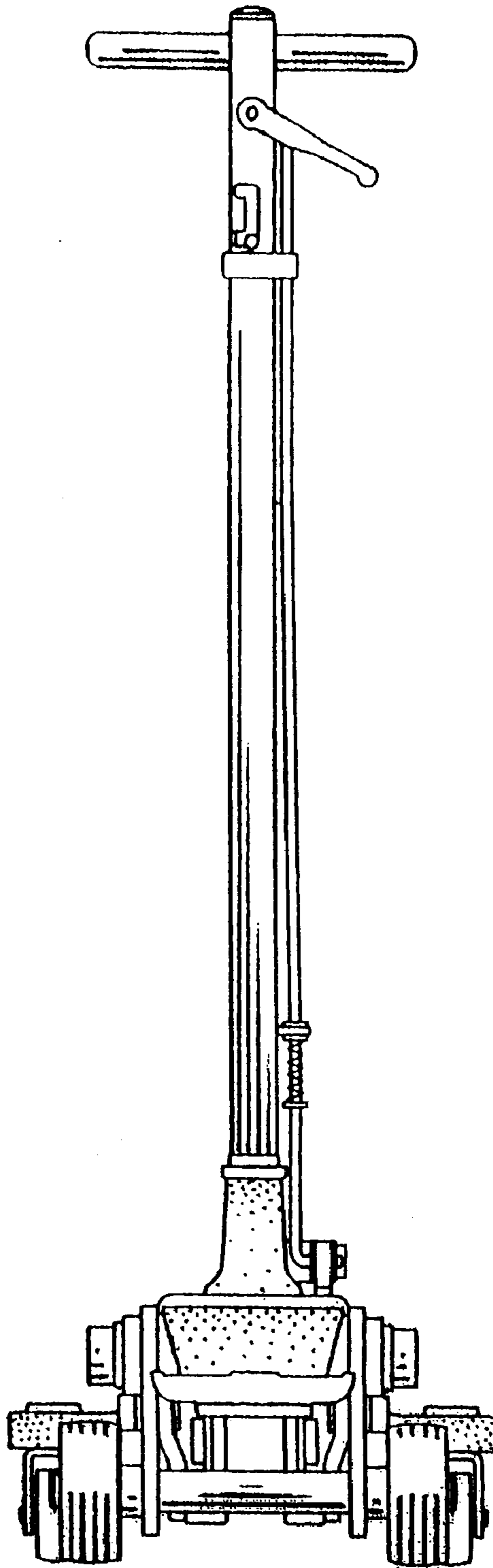


Figure 6

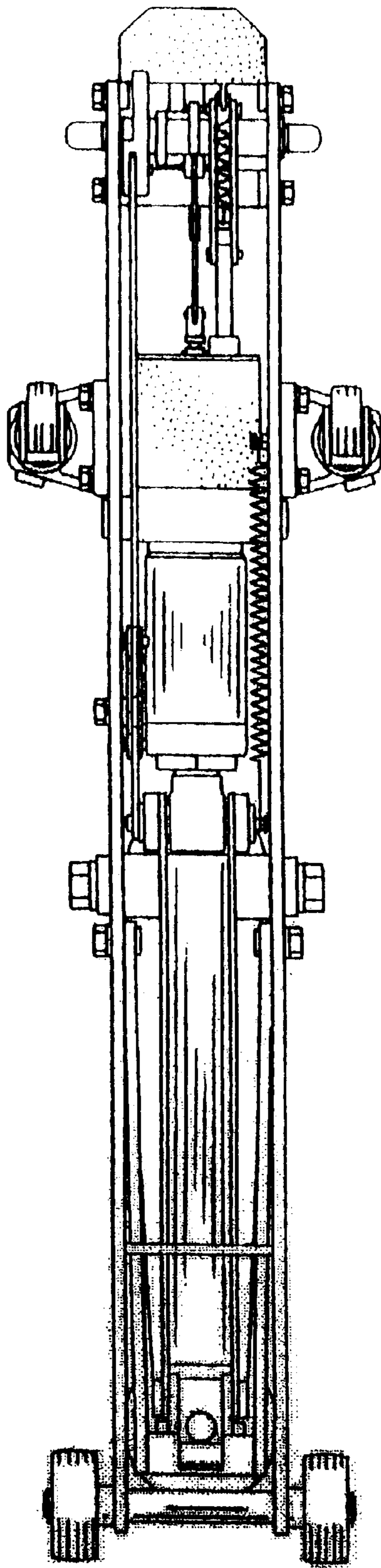


Figure 7