



US00D488905S

(12) **United States Design Patent**  
**DiStaulo**

(10) **Patent No.:** **US D488,905 S**

(45) **Date of Patent:** **\*\* Apr. 20, 2004**

(54) **PLOW BLADE MOUNTING CART**

(75) **Inventor:** **Michael DiStaulo, Aurora, OH (US)**

(73) **Assignee:** **All-Type Welding and Fabrication, Inc., Glenwillow, OH (US)**

(\*\*) **Term:** **14 Years**

(21) **Appl. No.:** **29/177,678**

(22) **Filed:** **Mar. 13, 2003**

(51) **LOC (7) Cl.** ..... **12-05**

(52) **U.S. Cl.** ..... **D34/28**

(58) **Field of Search** ..... D34/38, 28, 18,  
D34/23, 27; 414/429, 426; 280/62, 79.7,  
79.11, 79.3, 43.24

(56) **References Cited**

**U.S. PATENT DOCUMENTS**

469,507	A	*	2/1892	Spencer	.....	280/62
2,471,051	A	*	5/1949	Tway	.....	414/426
4,471,971	A	*	9/1984	Keesler	.....	280/79.11
4,572,531	A	*	2/1986	Elia	.....	280/62
4,630,838	A	*	12/1986	Stockton	.....	280/47.17
4,854,803	A	*	8/1989	Coccaro	.....	414/429
4,976,449	A	*	12/1990	Lotspeich et al.	.....	280/79.4

D315,239	S	*	3/1991	Krause et al.	.....	D34/28
D366,547	S	*	1/1996	Arn	.....	D34/23
D371,450	S	*	7/1996	Hodges	.....	D34/23
D377,700	S	*	1/1997	Butler	.....	D34/28
D416,120	S	*	11/1999	Campolito	.....	D34/28
D420,482	S	*	2/2000	Hultqvist et al.	.....	D34/28
D467,402	S	*	12/2002	DiStaulo	.....	D34/28
D475,497	S	*	6/2003	DiStaulo	.....	D34/28
D475,829	S	*	6/2003	DiStaulo	.....	D34/28

\* cited by examiner

*Primary Examiner*—Cynthia E. Ramirez

(74) *Attorney, Agent, or Firm*—Pearne & Gordon LLP

(57) **CLAIM**

The ornamental design for a plow blade mounting cart, as shown and described.

**DESCRIPTION**

FIG. 1 is a perspective view of a plow blade mounting cart, showing my new design.

FIG. 2 is a top view thereof.

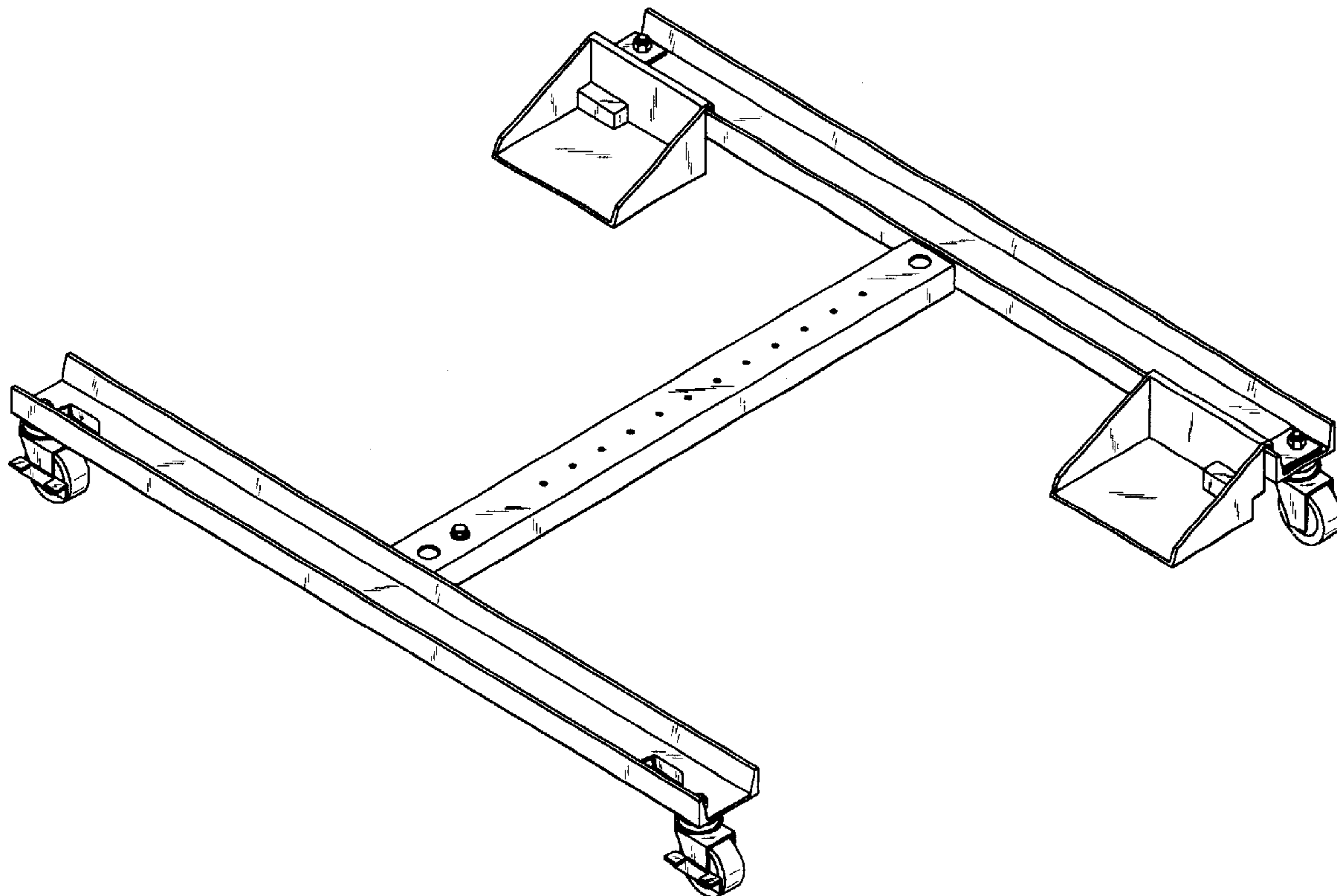
FIG. 3 is a side view thereof.

FIG. 4 is a rear view thereof.

FIG. 5 is a bottom view thereof; and,

FIG. 6 is a front view thereof.

**1 Claim, 3 Drawing Sheets**



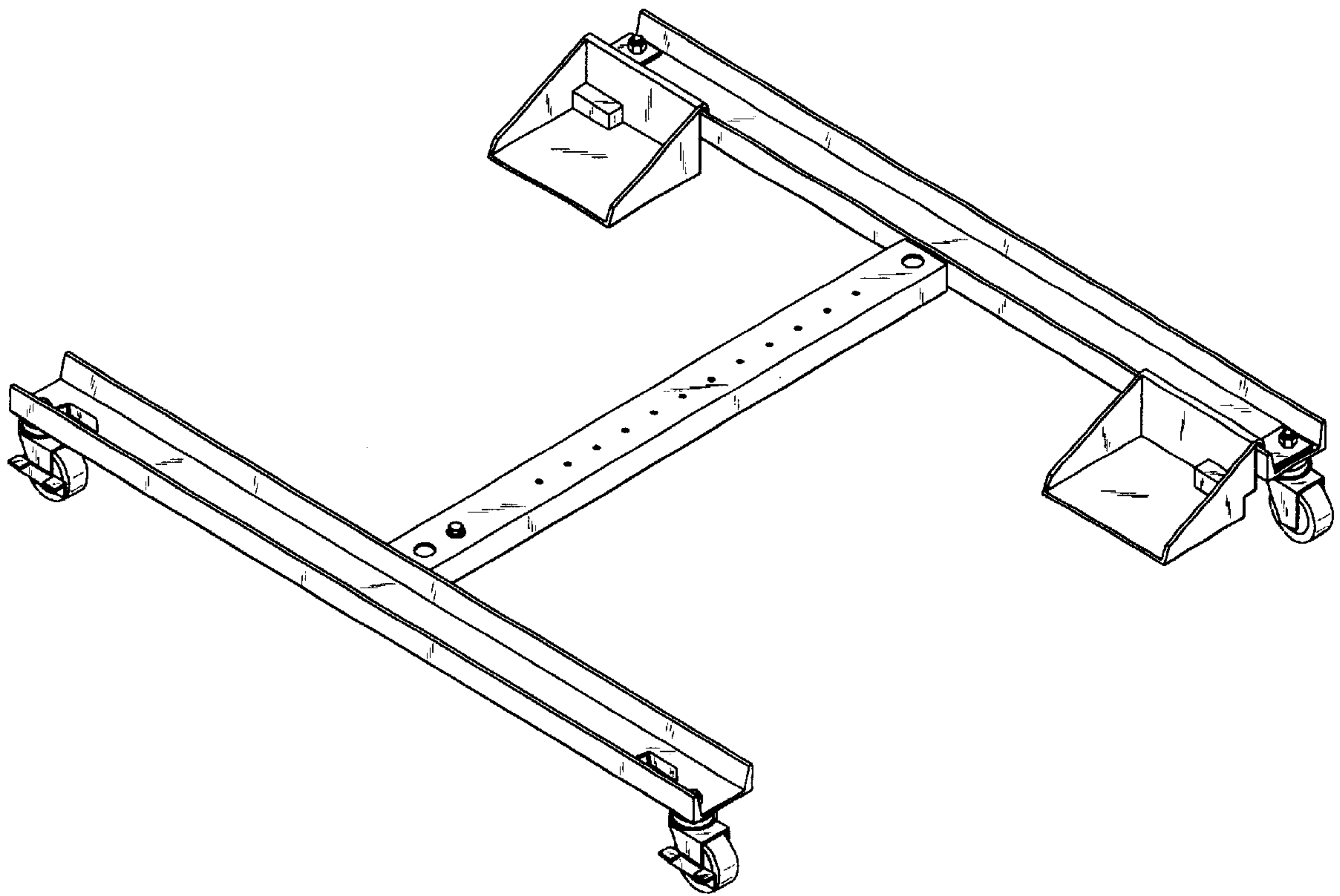


FIG. 1

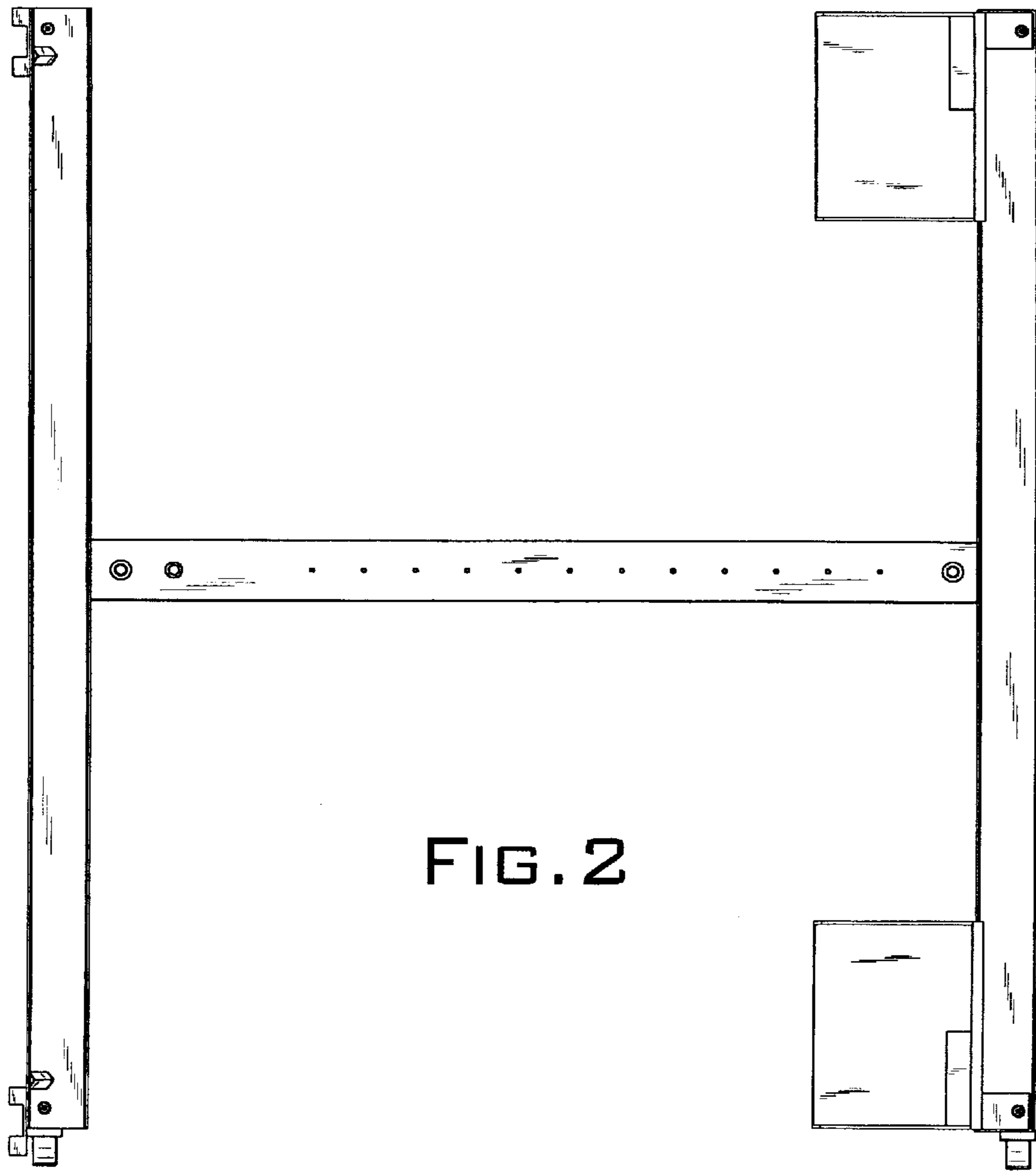


FIG. 2

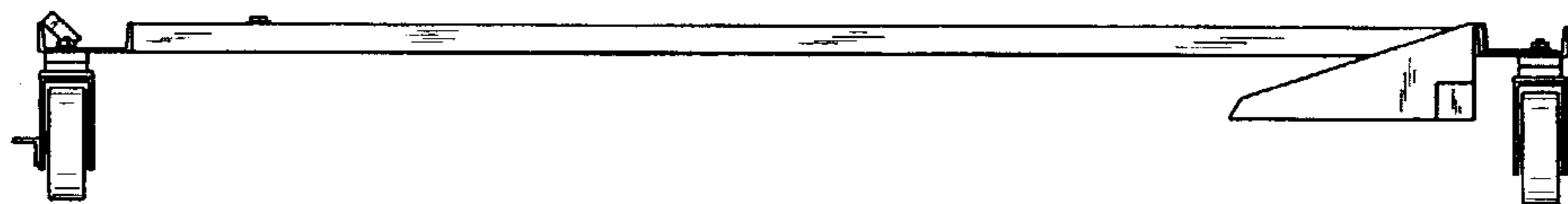


FIG. 3

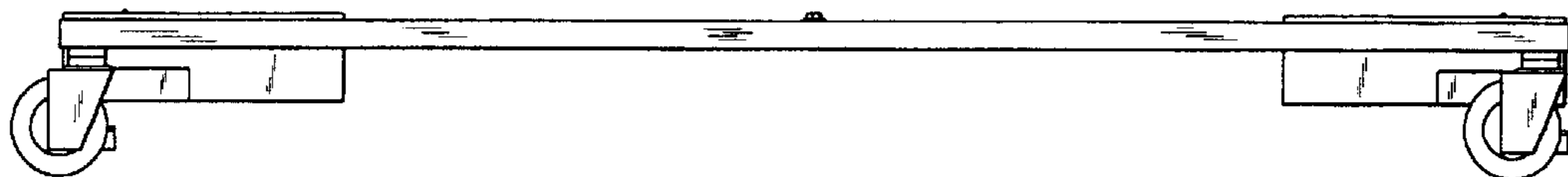


FIG. 4

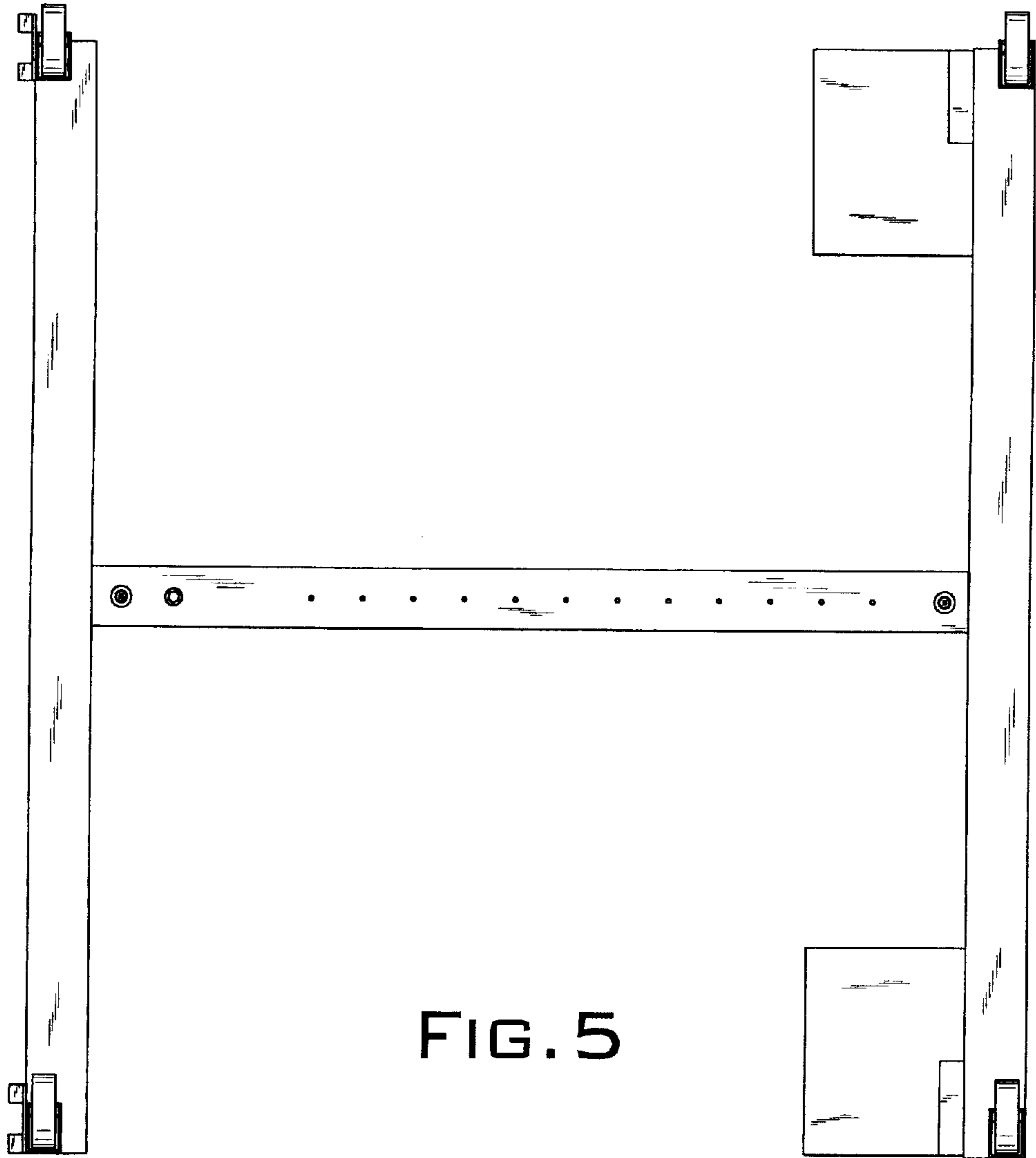


FIG. 5

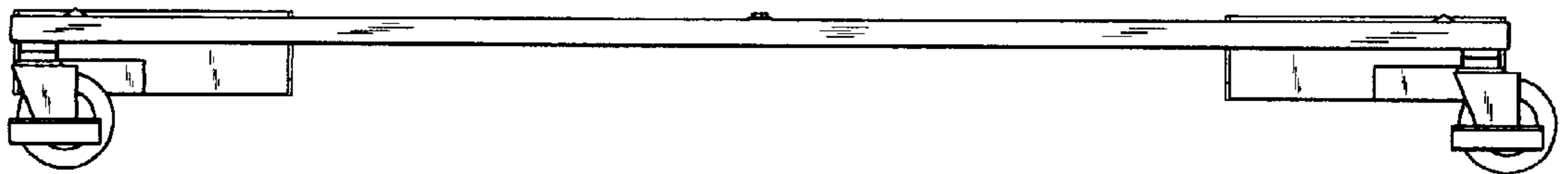


FIG. 6