



US00D488904S

(12) **United States Design Patent**  
**Unnerstall, Jr. et al.**

(10) **Patent No.:** **US D488,904 S**

(45) **Date of Patent:** **\*\* Apr. 20, 2004**

(54) **SHOPPING CART CORRAL**

**FOREIGN PATENT DOCUMENTS**

(75) Inventors: **Robert H. Unnerstall, Jr.**, St. Charles, MO (US); **John J. Unnerstall**, St. Charles, MO (US)

GB 2176444 \* 12/1986

\* cited by examiner

*Primary Examiner*—Kay H. Chin

(73) Assignee: **National Cart Co. Inc.**, St. Charles, MO (US)

(74) *Attorney, Agent, or Firm*—Harness, Dickey & Pierce, P.L.C.

(\*\*) Term: **14 Years**

(57) **CLAIM**

The ornamental design for a shopping cart corral, as shown and described.

(21) Appl. No.: **29/180,781**

**DESCRIPTION**

(22) Filed: **Apr. 30, 2003**

(51) **LOC (7) Cl.** ..... **12-02**

FIG. 1 is a perspective view of a shopping cart corral in accordance with my new design;

(52) **U.S. Cl.** ..... **D34/17; D34/27**

FIG. 2 is a top plan view thereof;

(58) **Field of Search** ... D34/12-27; 280/33.991-33.997, 280/47.35, 79.11, 79.2, 79.3

FIG. 3 is a front end elevation view thereof;

FIG. 4 is a rear end elevation view thereof;

(56) **References Cited**

**U.S. PATENT DOCUMENTS**

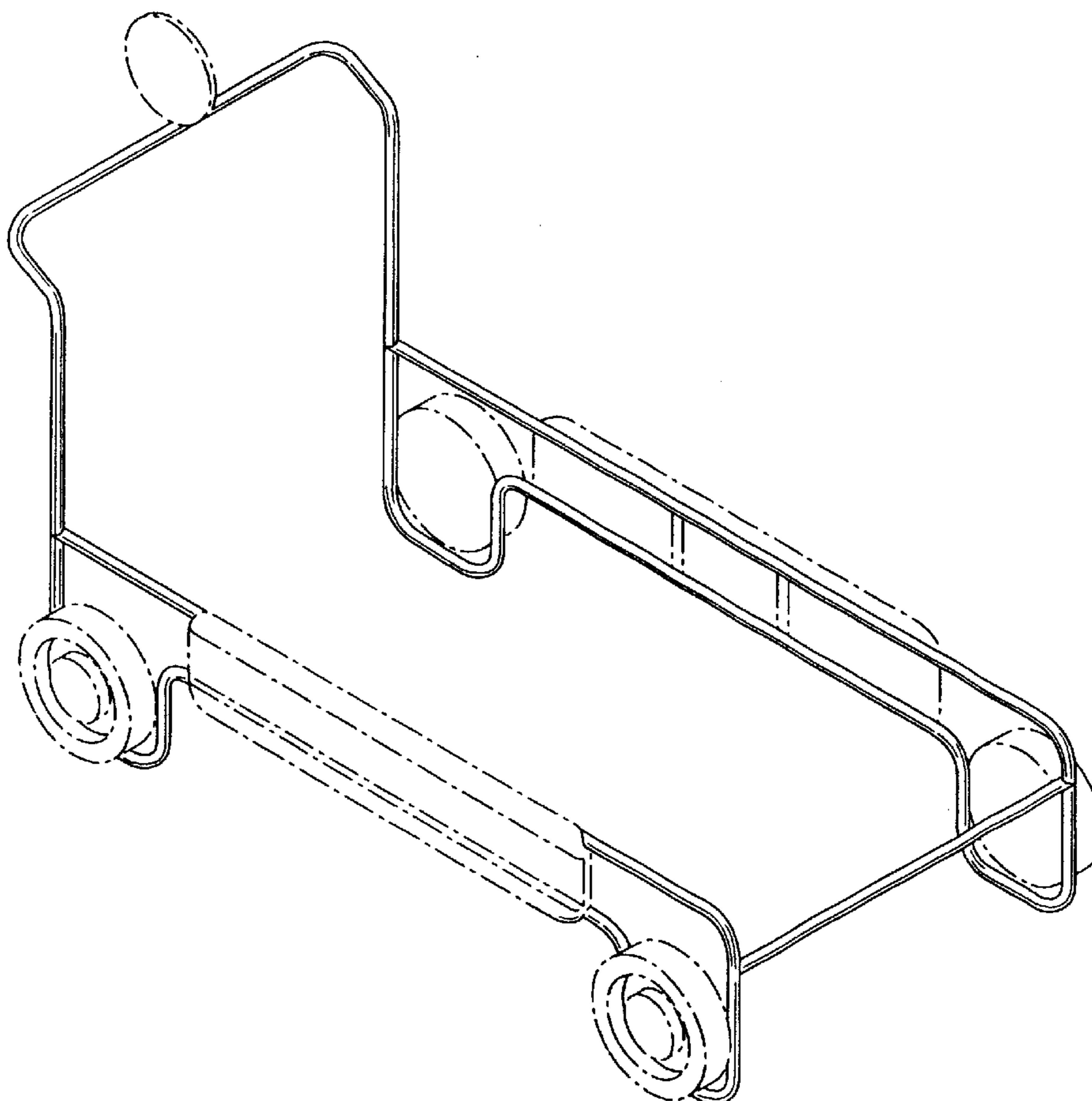
D365,904 S	*	1/1996	Adamson et al. ....	D34/17
5,560,626 A	*	10/1996	Glazer et al. ....	280/33.994
5,595,394 A	*	1/1997	Adamson ....	280/33.993
2003/0090073 A1	*	5/2003	Whang ....	280/33.991

FIG. 5 is a left side elevation view thereof, the right side elevation view being a mirror image of the left side elevation view; and,

FIG. 6 is a bottom plan view thereof.

The dashed lines show environment and do not represent matter forming a part of my design.

**1 Claim, 6 Drawing Sheets**



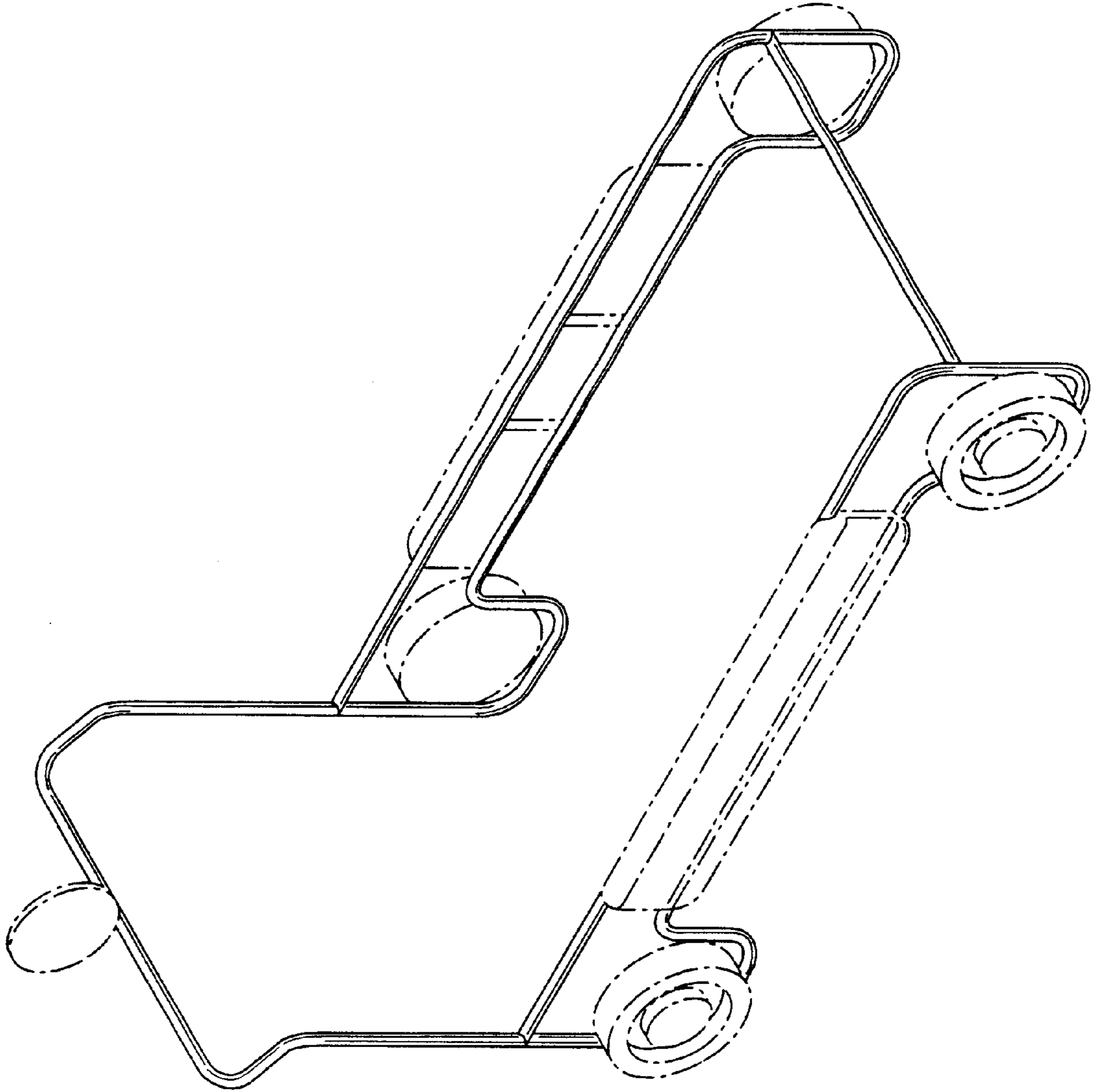


FIG. 1

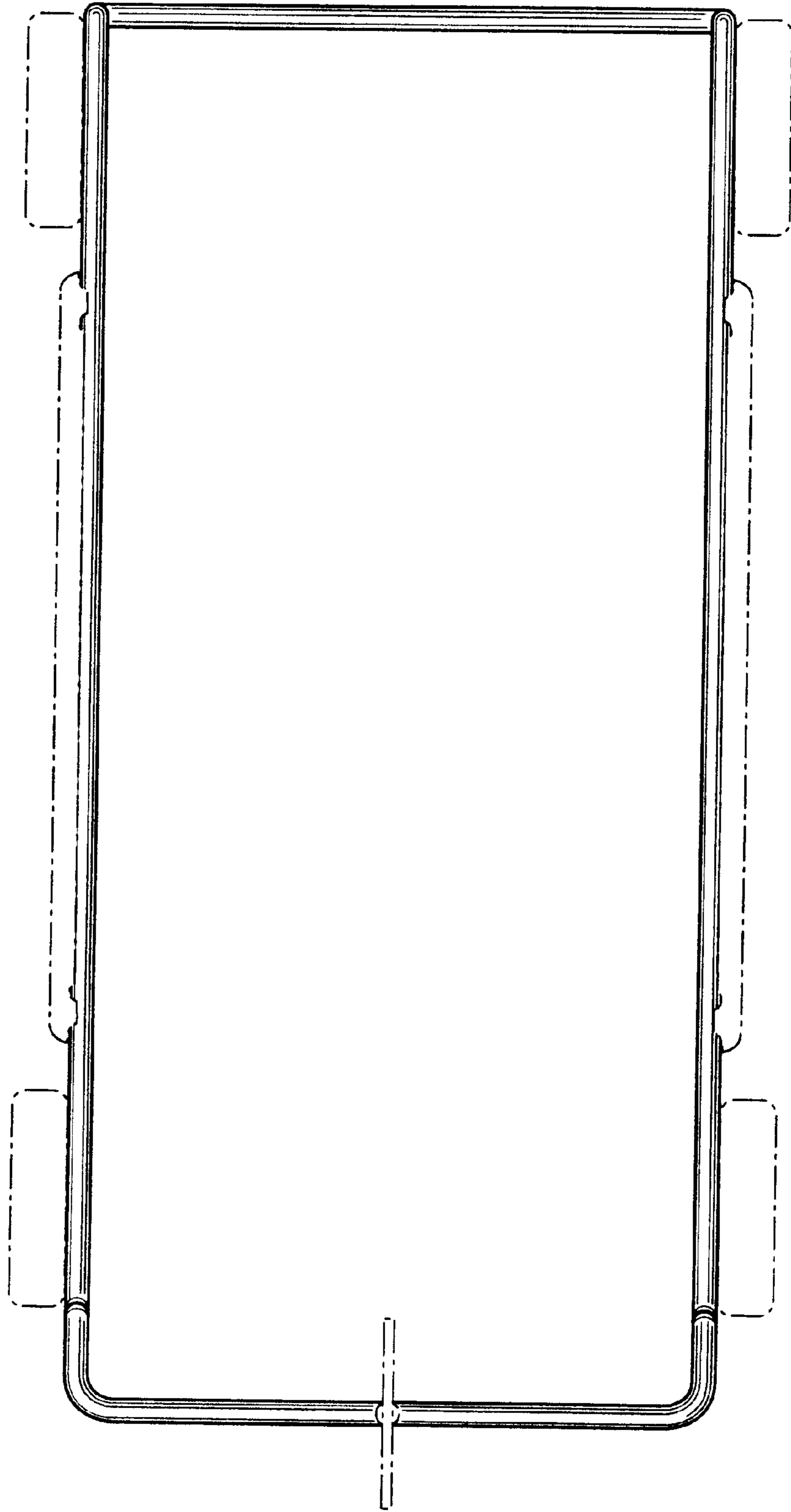


FIG. 2

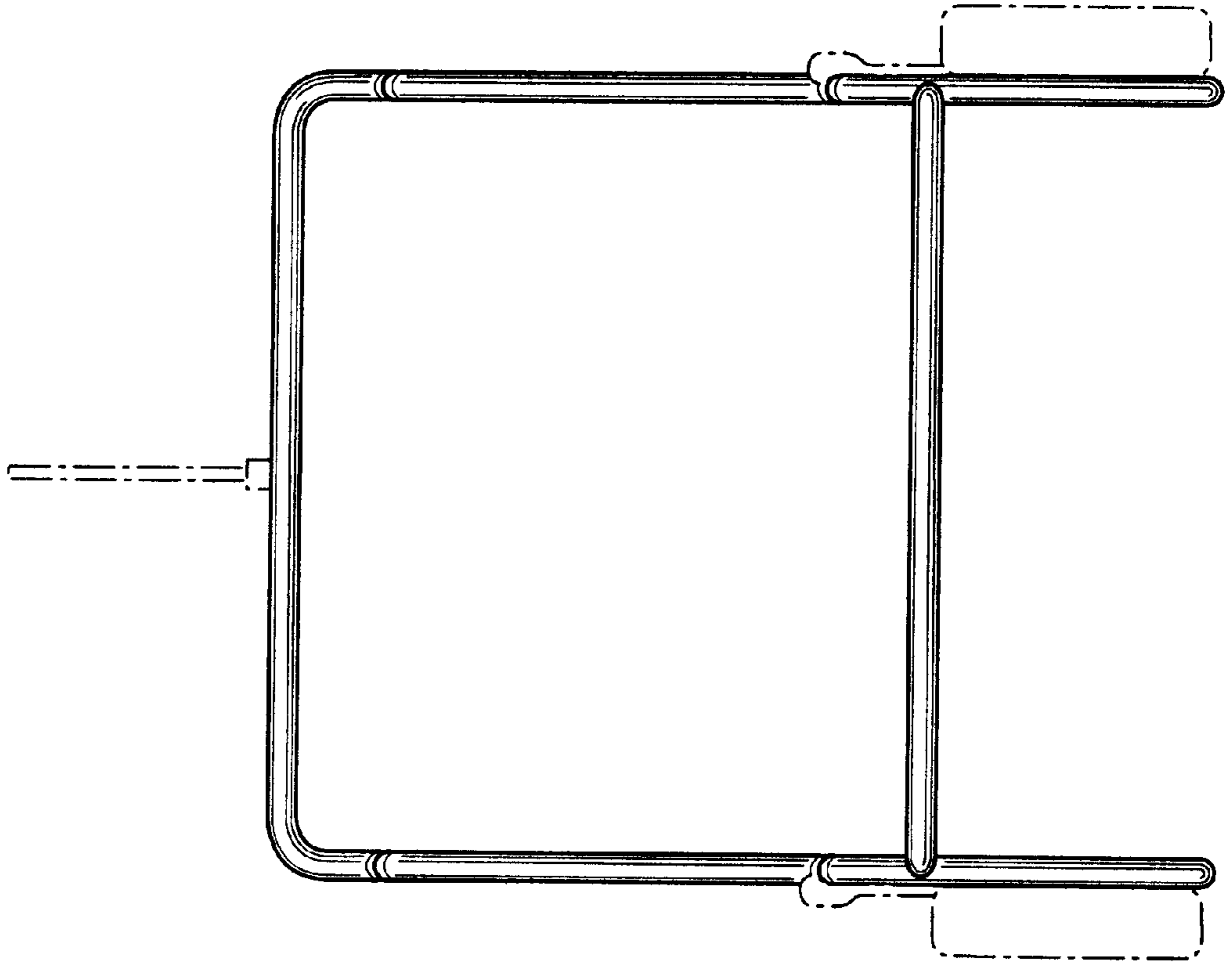


FIG. 3

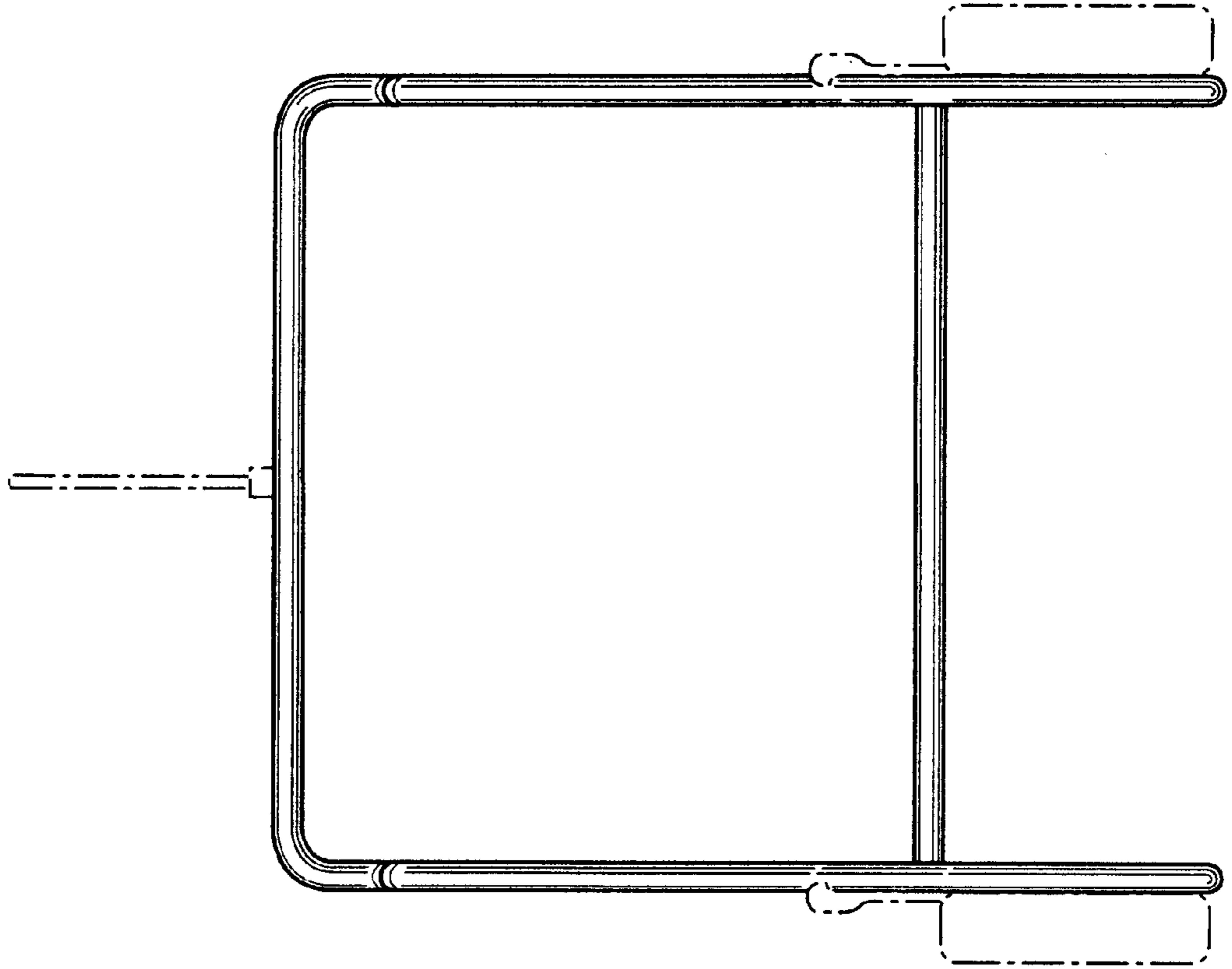
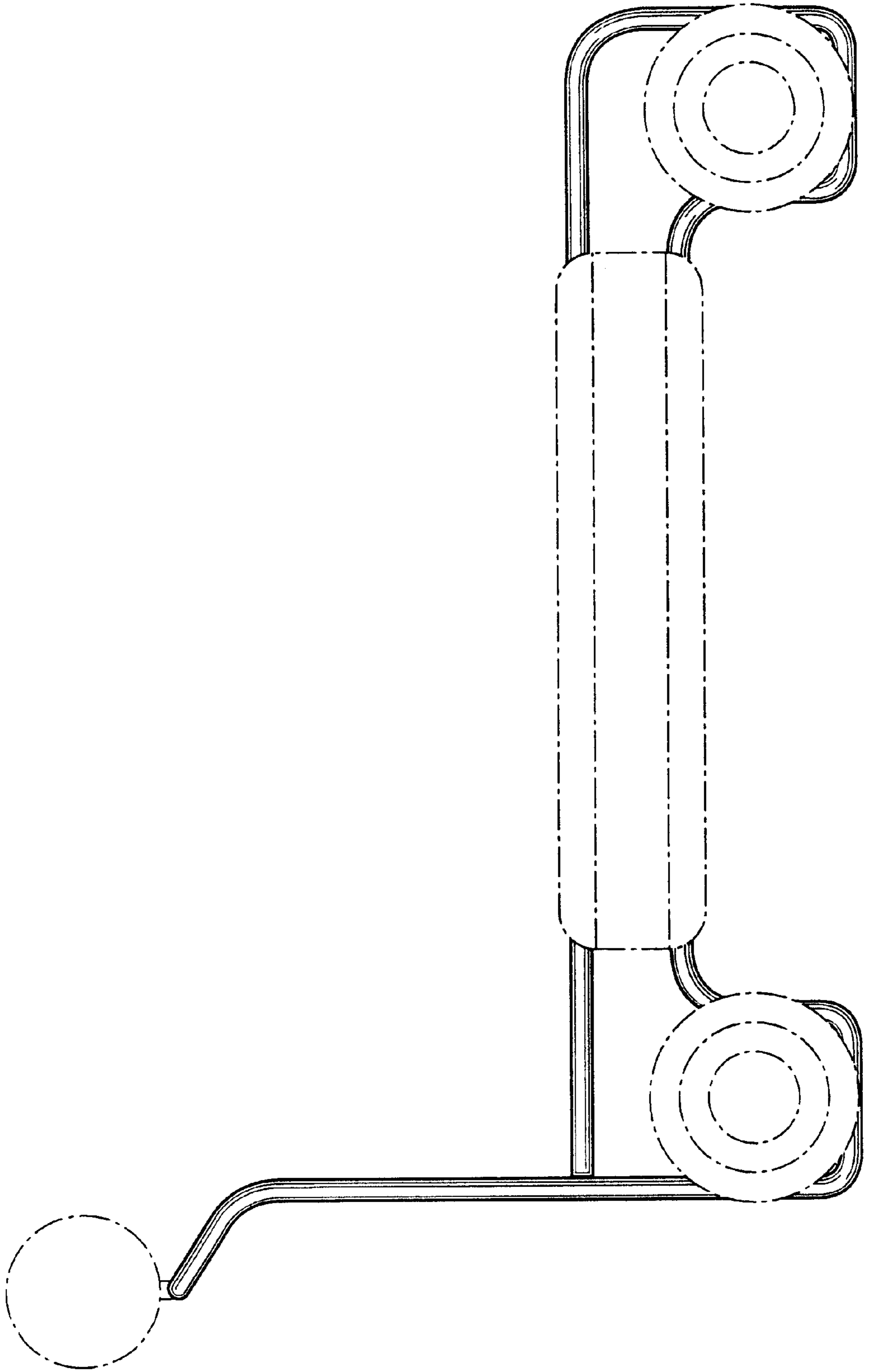


FIG. 4

FIG. 5



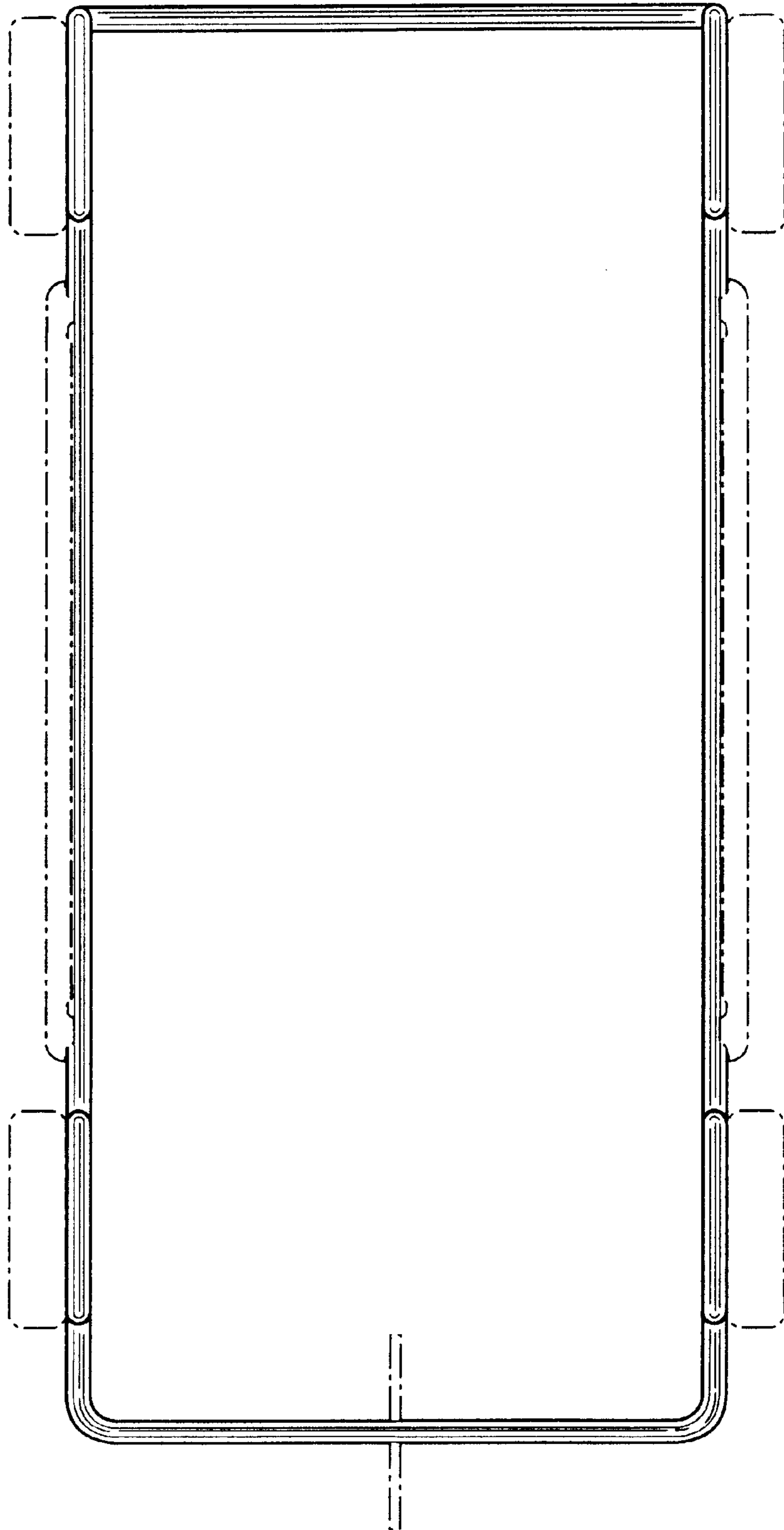


FIG. 6