



US00D488900S

(12) **United States Design Patent**
Grange

(10) **Patent No.:** **US D488,900 S**

(45) **Date of Patent:** **** Apr. 20, 2004**

(54) **SIDE WALL FOR AN INTERMEDIATE REFUSE CONTAINER**

(75) **Inventor:** **Laurence H. Grange**, Watertown, WI (US)

(73) **Assignee:** **High Road Equipment Company, Inc.**, Watertown, WI (US)

(**) **Term:** **14 Years**

(21) **Appl. No.:** **29/180,792**

(22) **Filed:** **Apr. 30, 2003**

(51) **LOC (7) Cl.** **09-09**

(52) **U.S. Cl.** **D34/3**

(58) **Field of Search** D34/1, 3, 5, 6; 294/26, 68.1, 68.2, 68.26; 414/422, 410

(56) **References Cited**

U.S. PATENT DOCUMENTS

3,136,575	A	*	6/1964	Kolling	294/68.26
3,314,710	A	*	4/1967	Edeburn	294/68.26
3,762,586	A		10/1973	Updike, Jr.		
3,822,802	A		7/1974	Evans, Jr.		
4,158,424	A	*	6/1979	Carmack	220/826
D274,665	S	*	7/1984	Hobbs et al.	D34/3
4,676,431	A	*	6/1987	Teske et al.	232/43.1
4,705,446	A	*	11/1987	Miller	414/422
D300,069	S	*	2/1989	Abel	D34/3
D331,306	S	*	11/1992	Sumpter et al.	D3/272
5,308,211	A		5/1994	Bayne		
5,333,984	A		8/1994	Bayne et al.		
5,484,245	A		1/1996	Zopf		
5,607,277	A		3/1997	Zopf		
5,639,201	A		6/1997	Curotto		
D389,970	S	*	1/1998	Darnell	D34/1
D459,849	S	*	7/2002	Hogarth	D34/7

OTHER PUBLICATIONS

Photographs of intermediate refuse container of Advance Design Research, Inc.

Photos of High Road Equipment Intermediate Container.

“The Curotto–Can” The Curotto Can Inc., Sonoma, CA.
“F.L.A.R.E. (Front Loader Automated Residential Escort)” © 1997 Smart Truck Systems, Moreno Valley, CA.

“F.L.A.R.E. Front Loader Automated Residential Escort” © 1999 Smart Truck Systems, Moreno Valley, CA.

* cited by examiner

Primary Examiner—Cynthia E. Ramirez
(74) *Attorney, Agent, or Firm*—Lathrop & Clark LLP

(57) **CLAIM**

The ornamental design for a side wall for an intermediate refuse container, as shown and described.

DESCRIPTION

FIG. 1 is an isometric view of the side wall for an intermediate refuse container of this invention, the material shown in phantom view is environmental matter only and forms no part of the claimed design.

FIG. 2 is a top plan view thereof;

FIG. 3 is a front view thereof;

FIG. 4 is a right side view thereof;

FIG. 5 is a rear view thereof;

FIG. 6 is a left side view thereof;

FIG. 7 is a bottom plan view thereof;

FIG. 8 is an isometric view of an alternative embodiment side wall for an intermediate refuse container of this invention;

FIG. 9 is a top plan view thereof;

FIG. 10 is a front view thereof;

FIG. 11 is a right side view thereof;

FIG. 12 is a rear view thereof;

FIG. 13 is a left side view thereof; and,

FIG. 14 is a bottom plan view thereof.

1 Claim, 7 Drawing Sheets

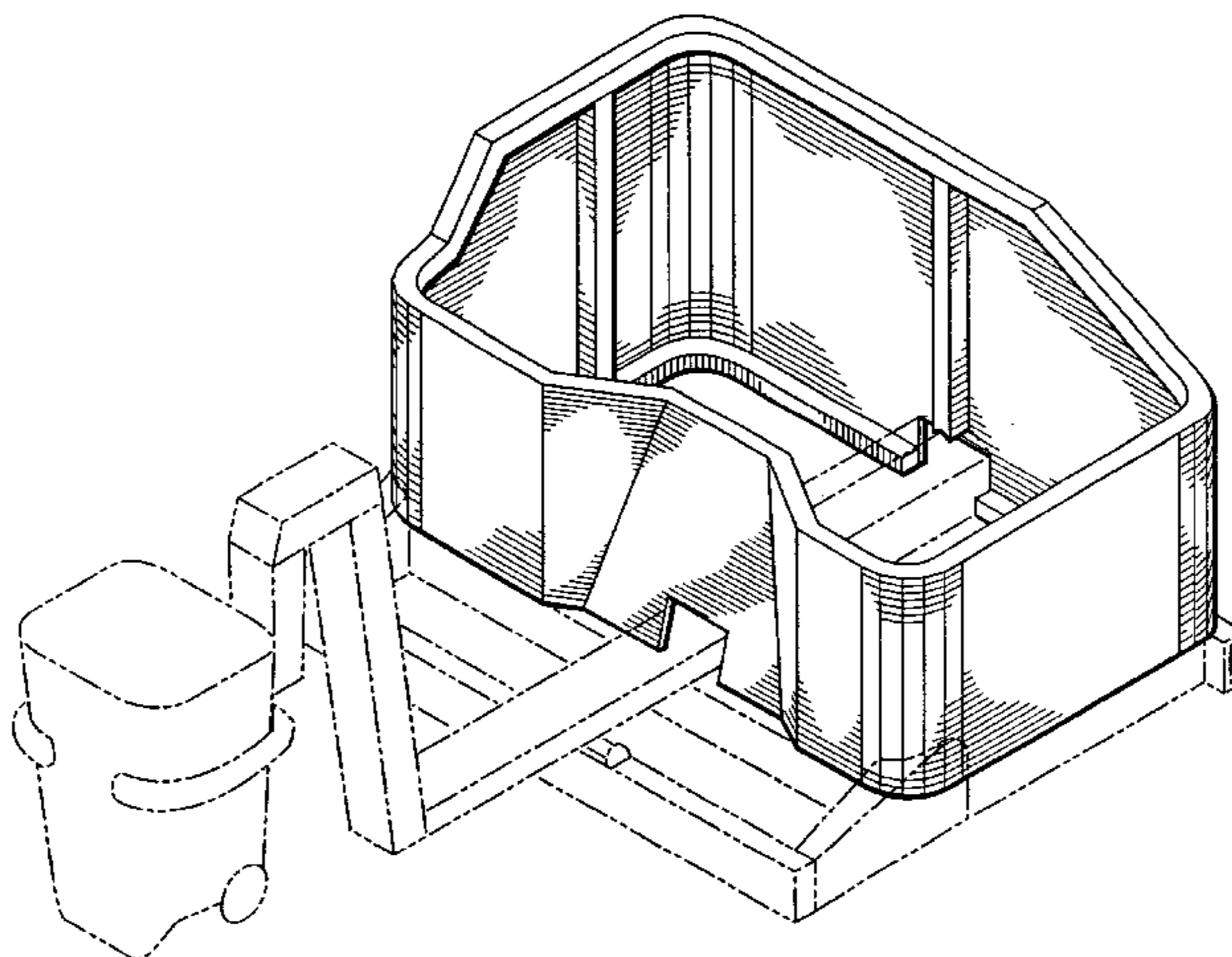


FIG. 1

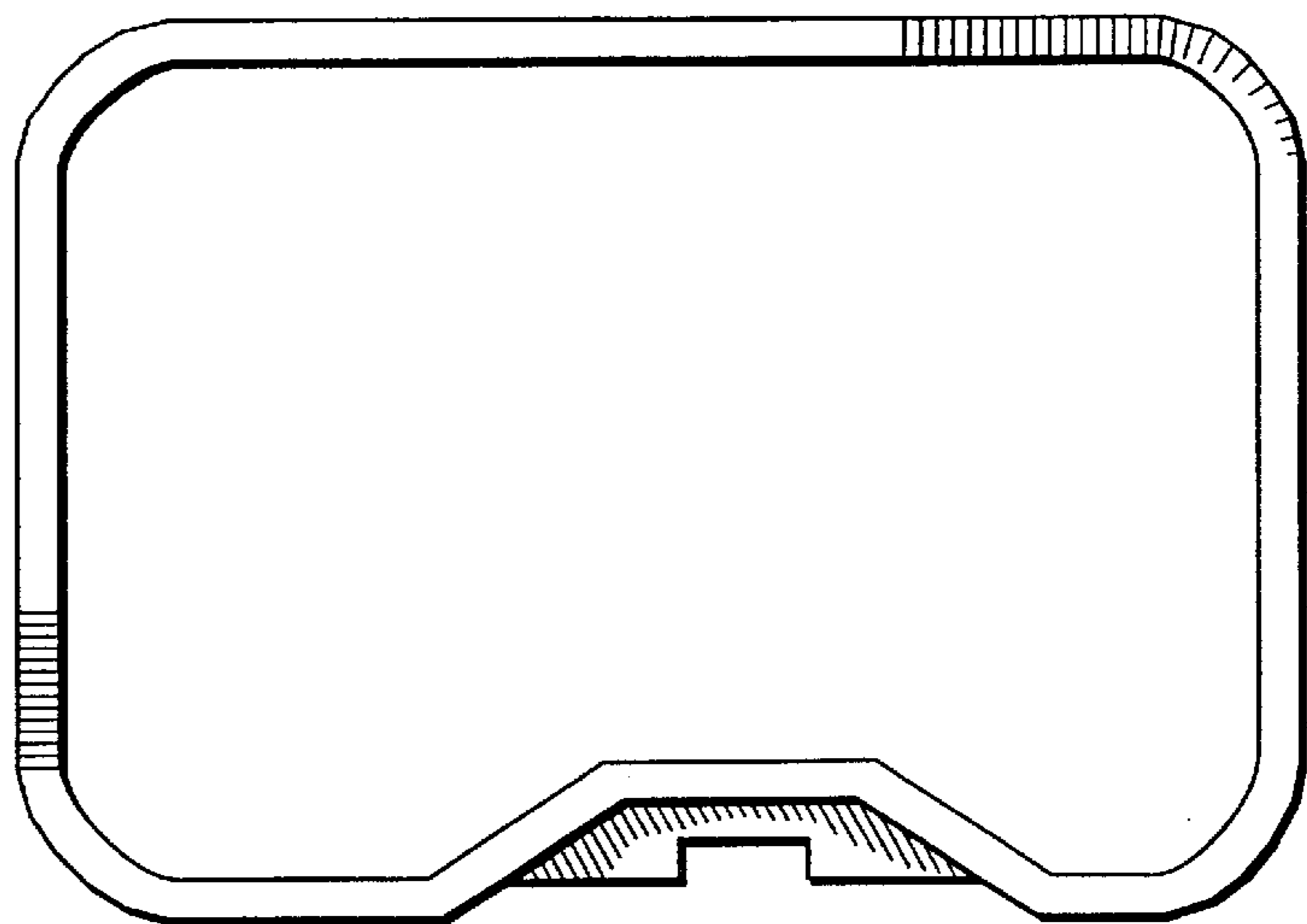
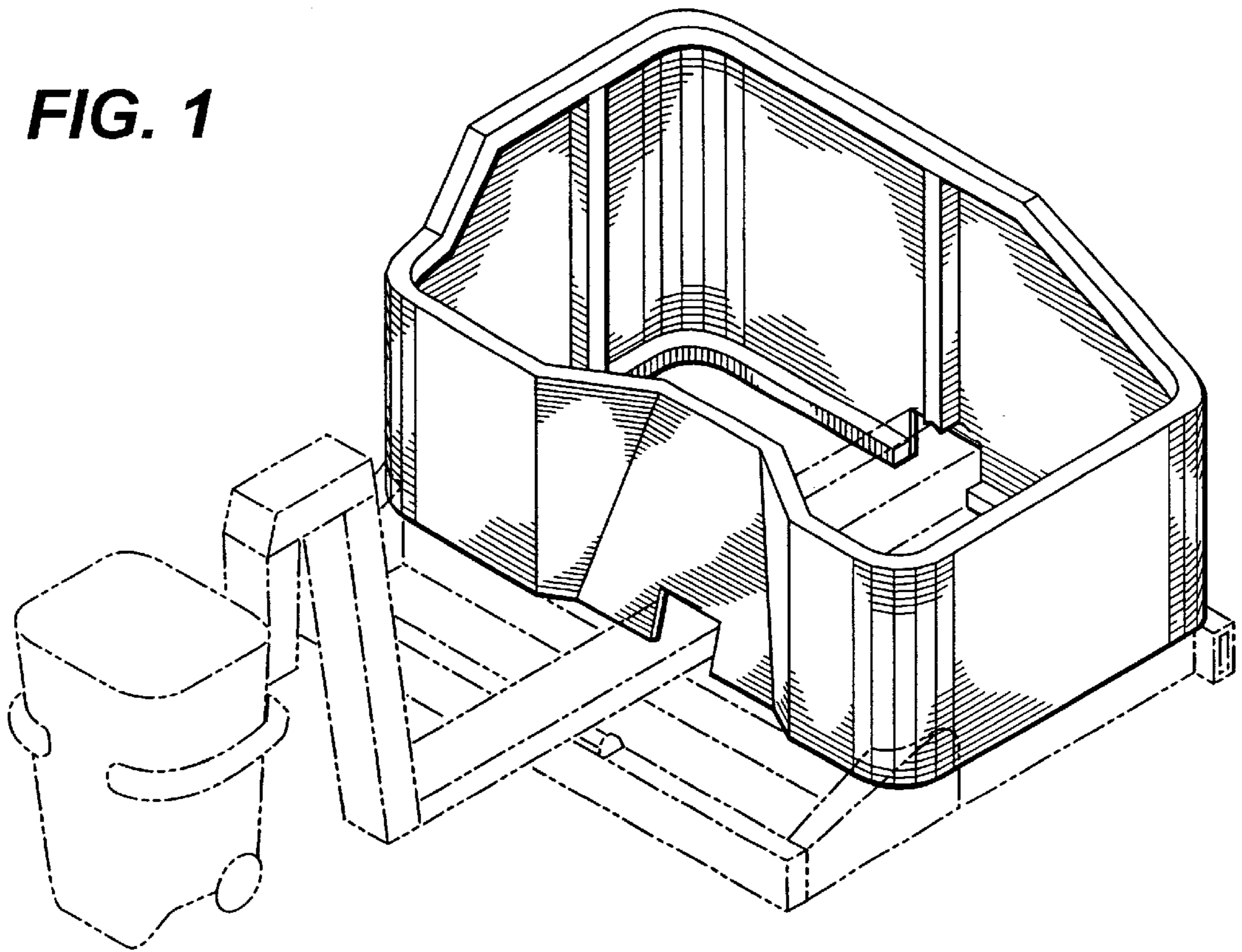


FIG. 2

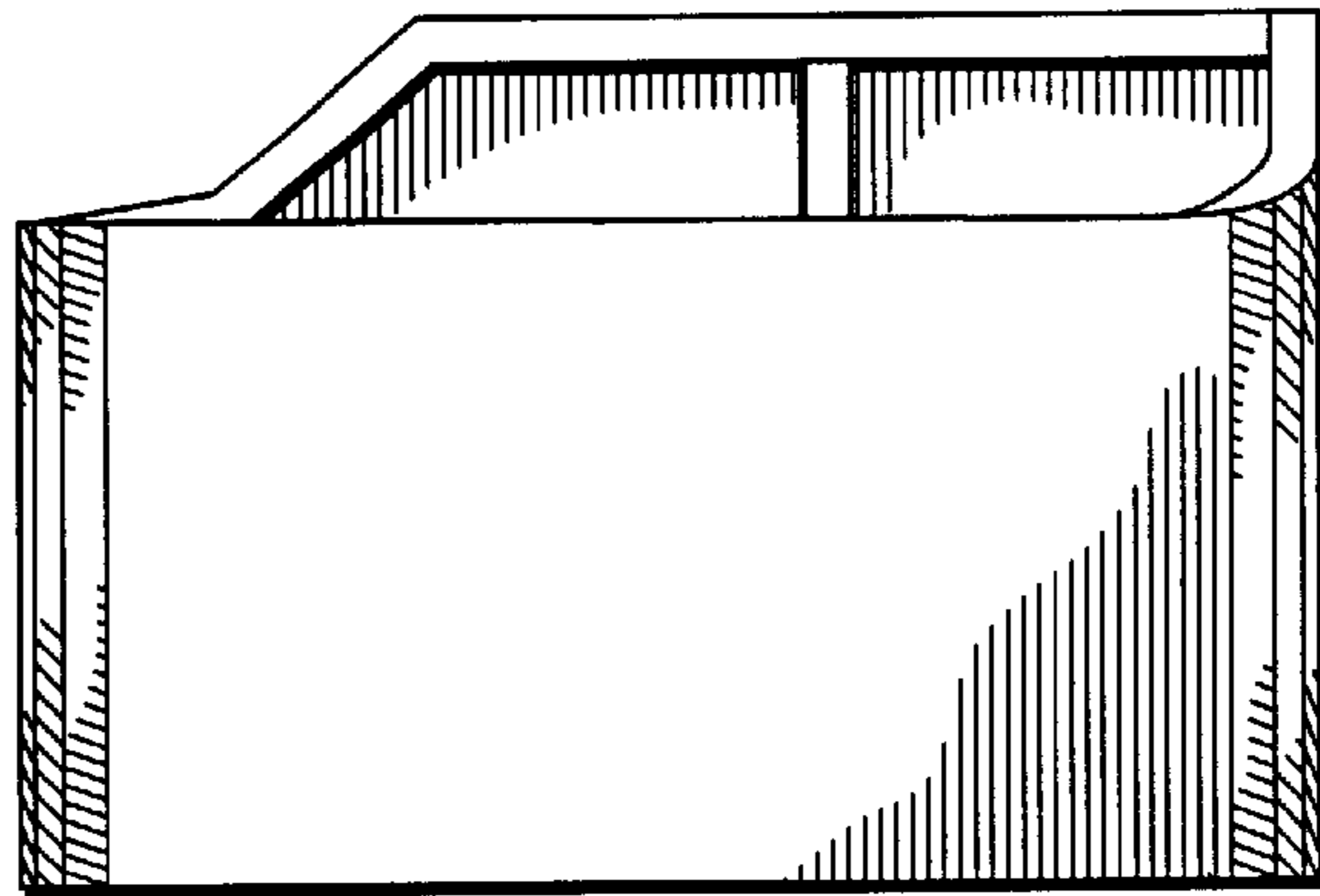


FIG. 3

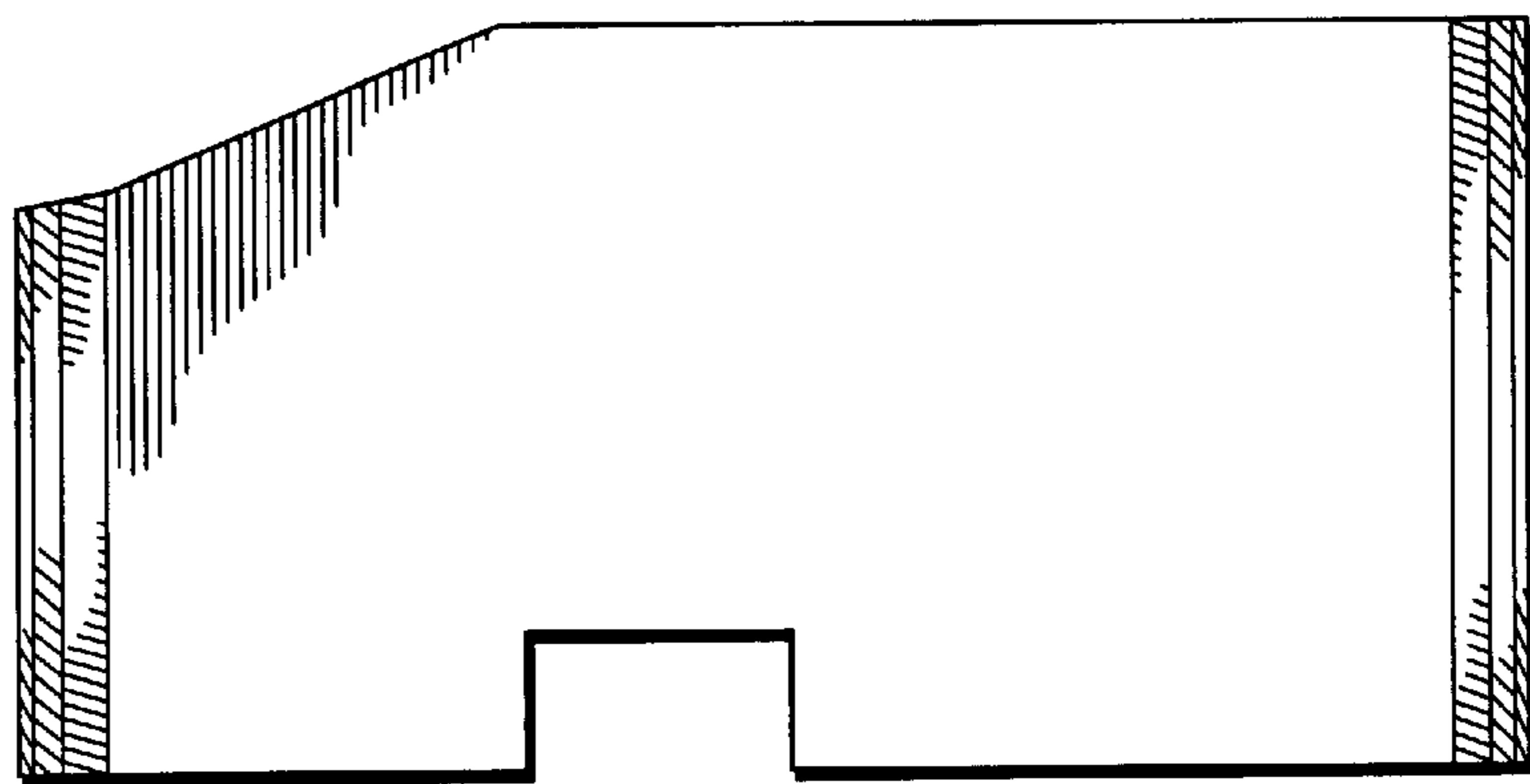


FIG. 4

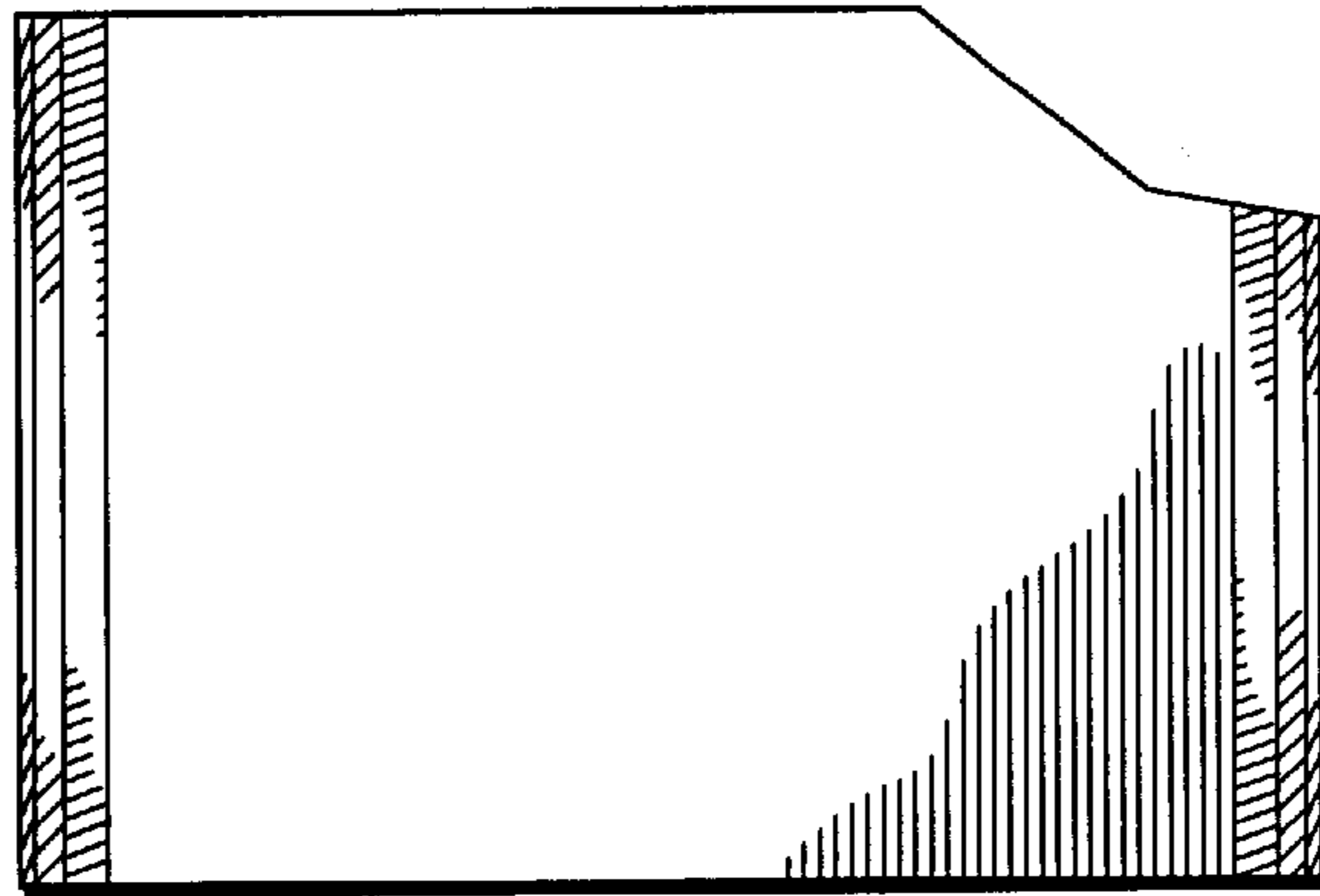


FIG. 5

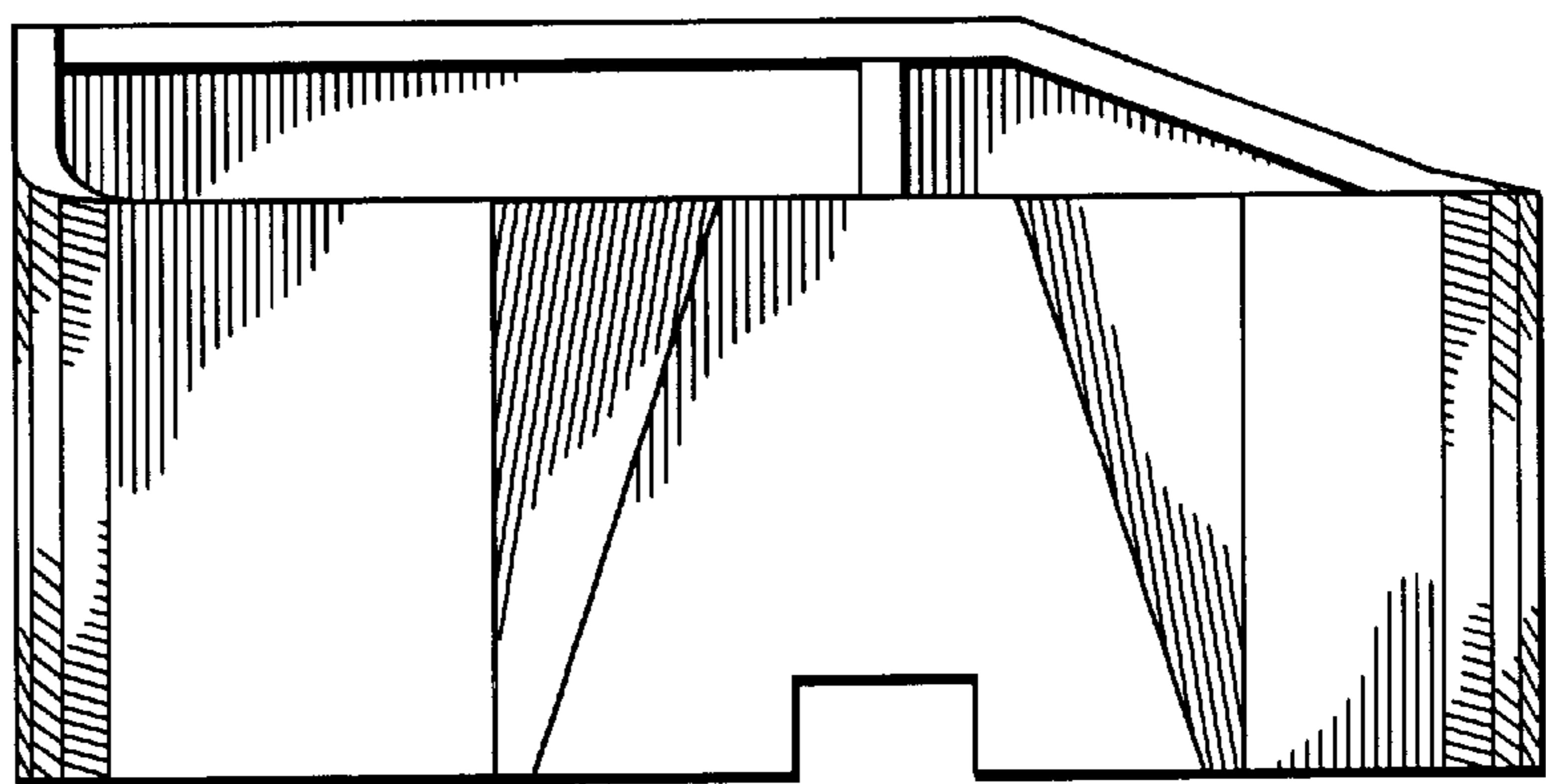


FIG. 6

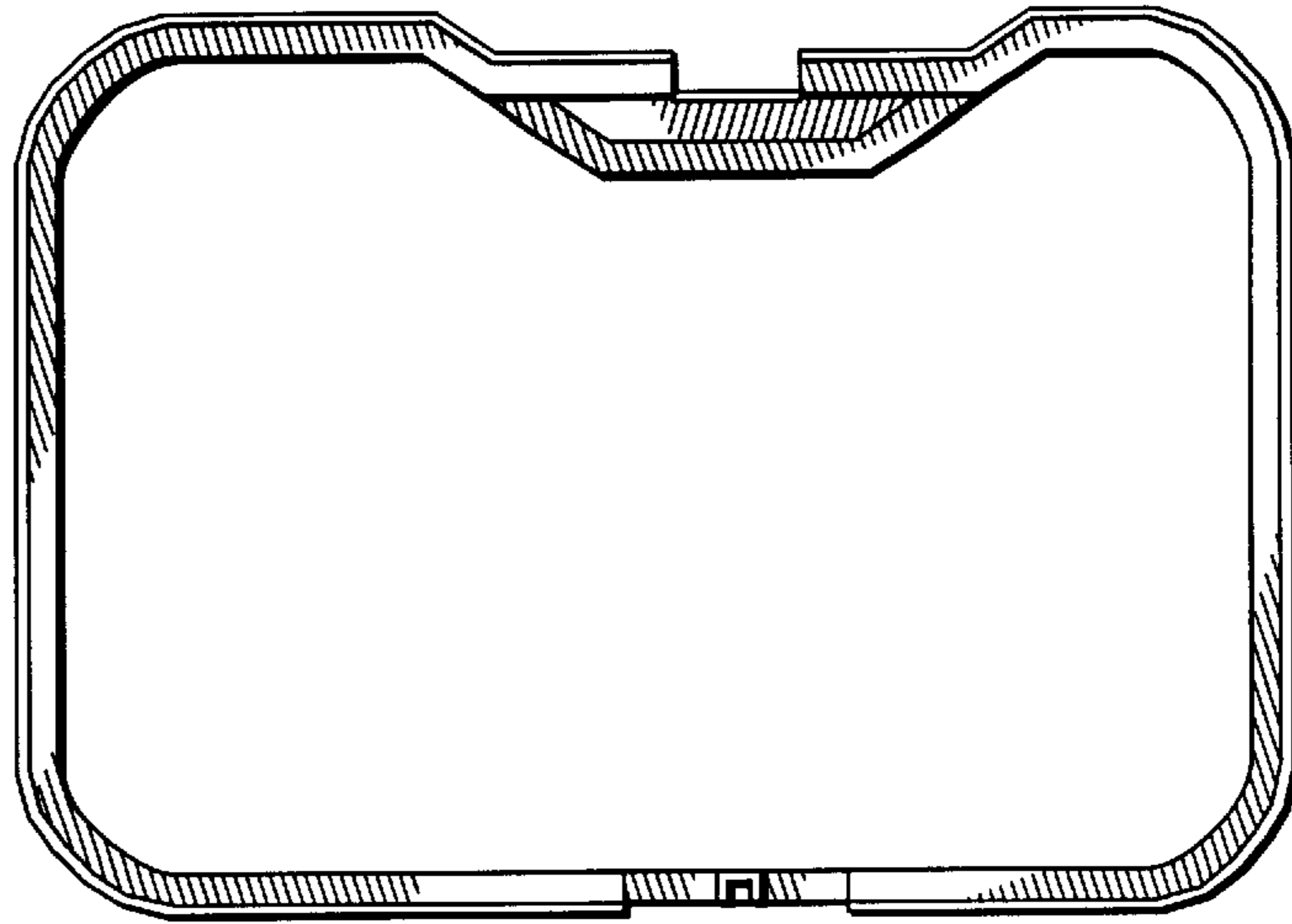


FIG. 7

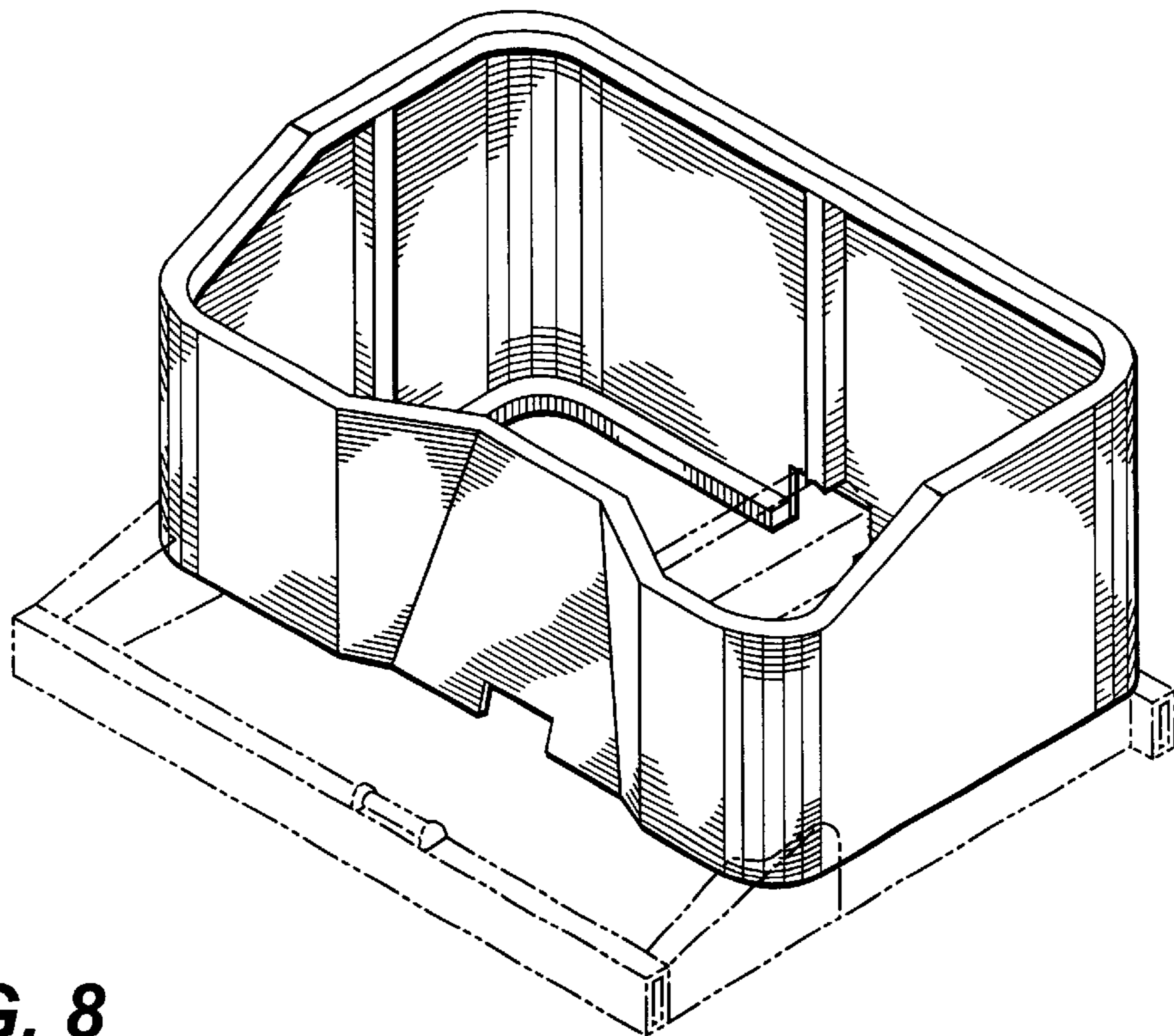


FIG. 8

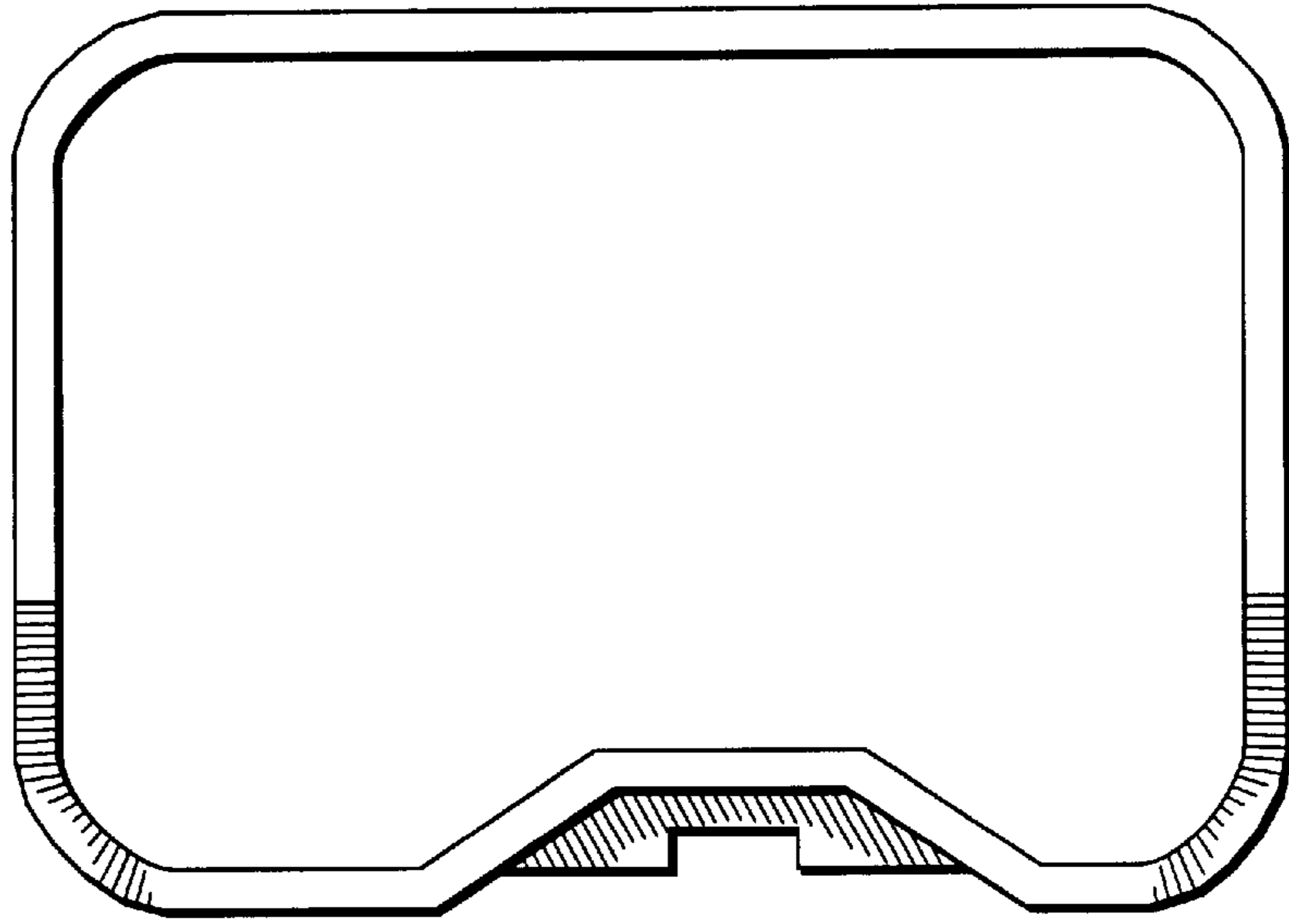


FIG. 9

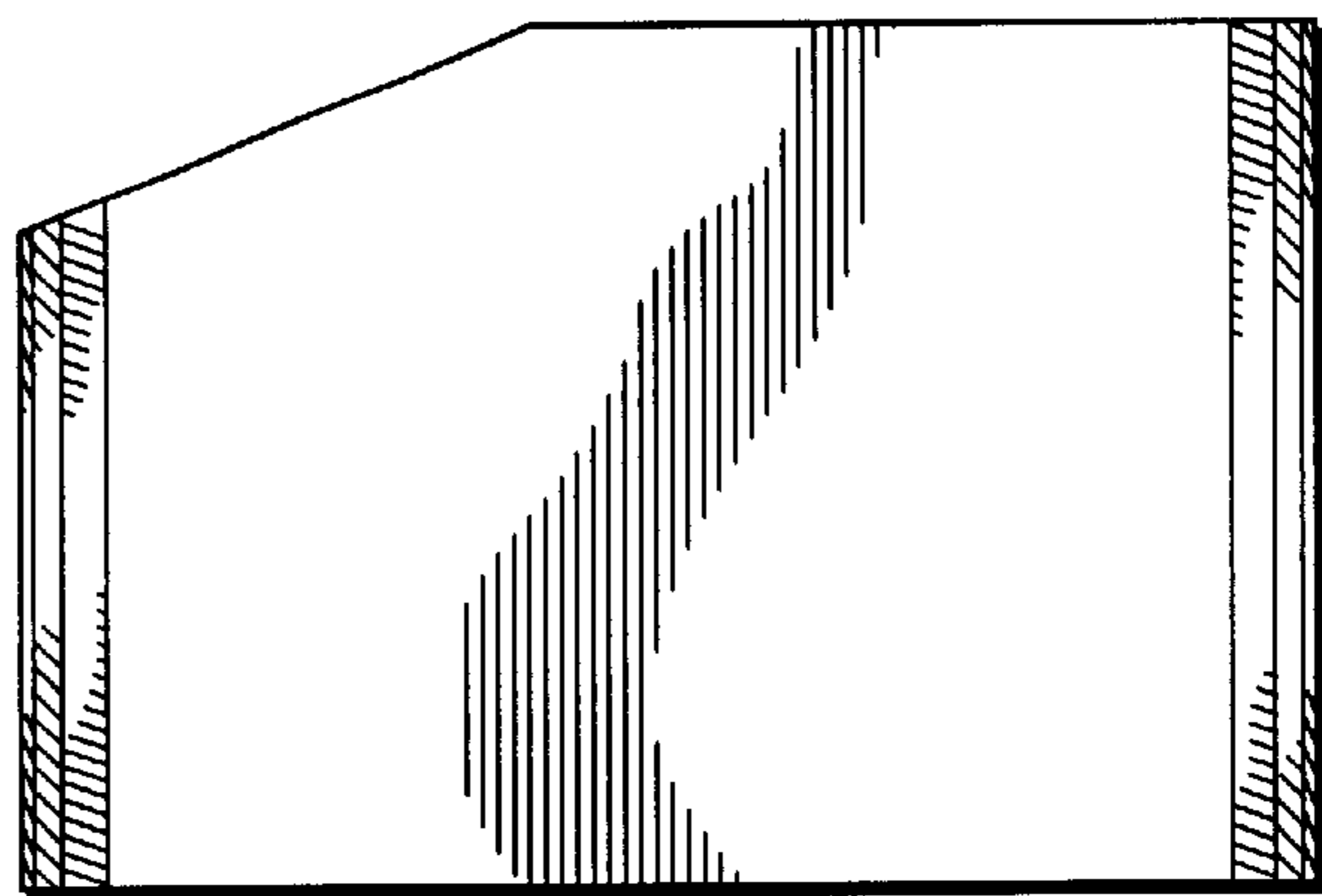


FIG. 10

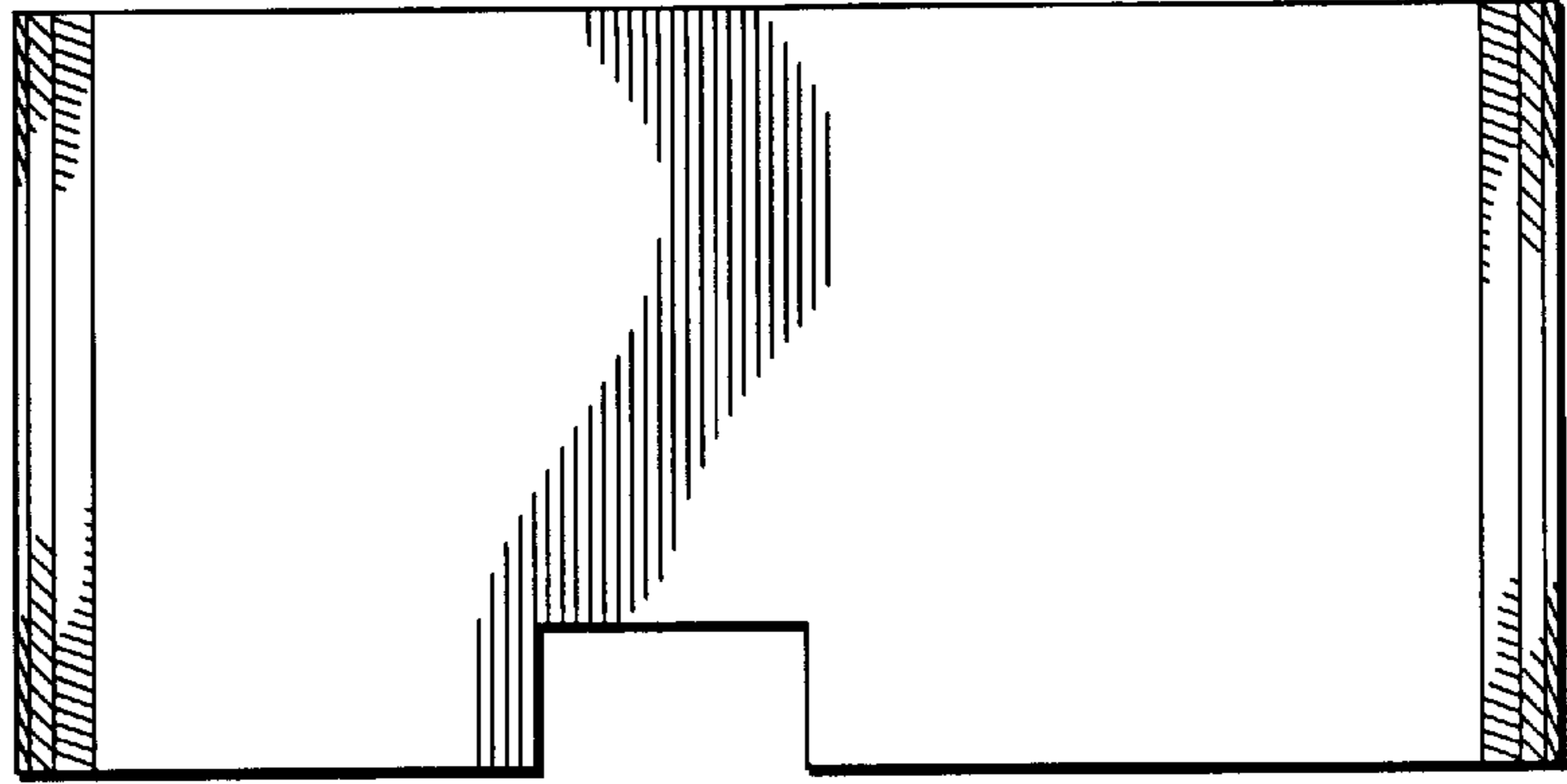


FIG. 11

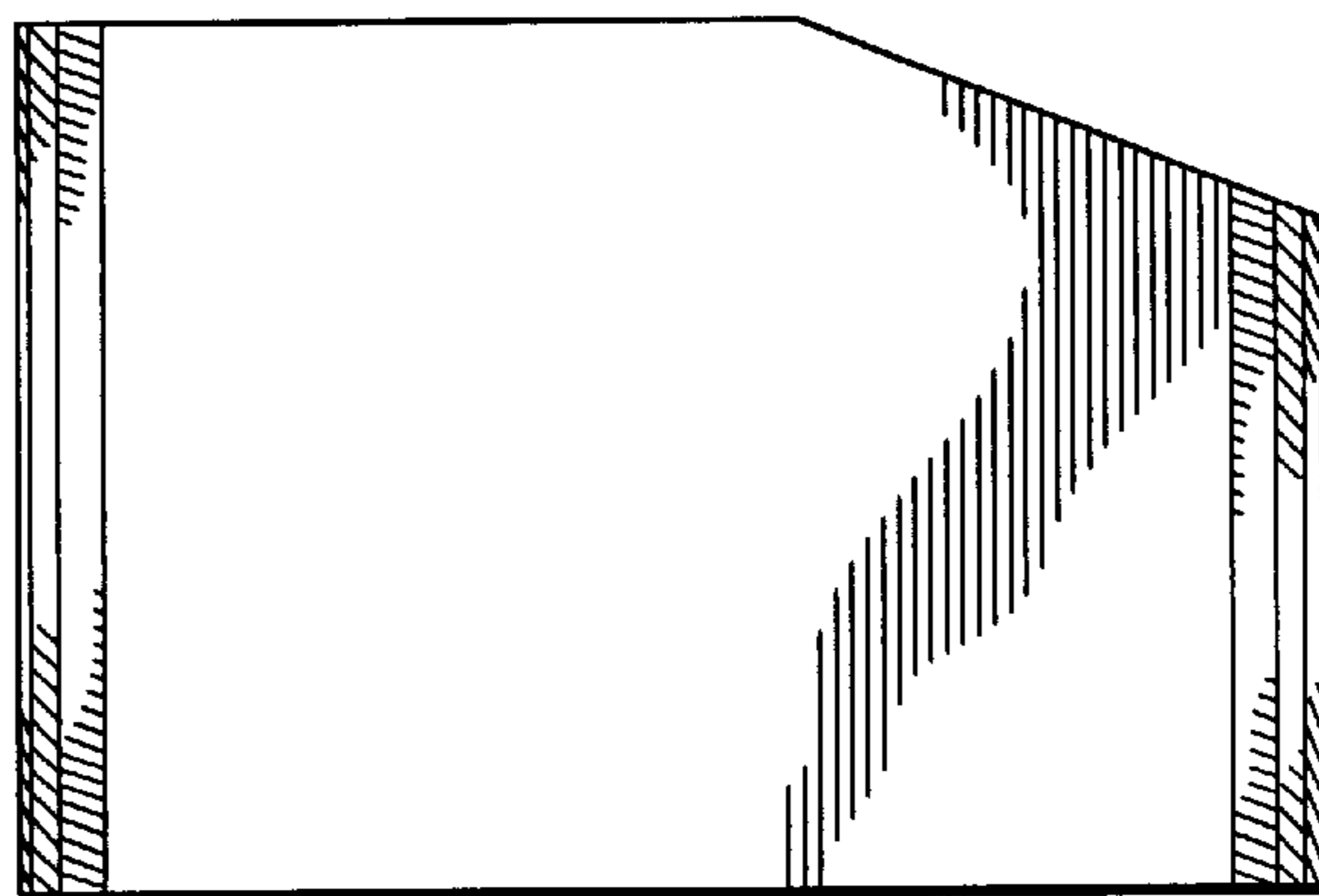


FIG. 12

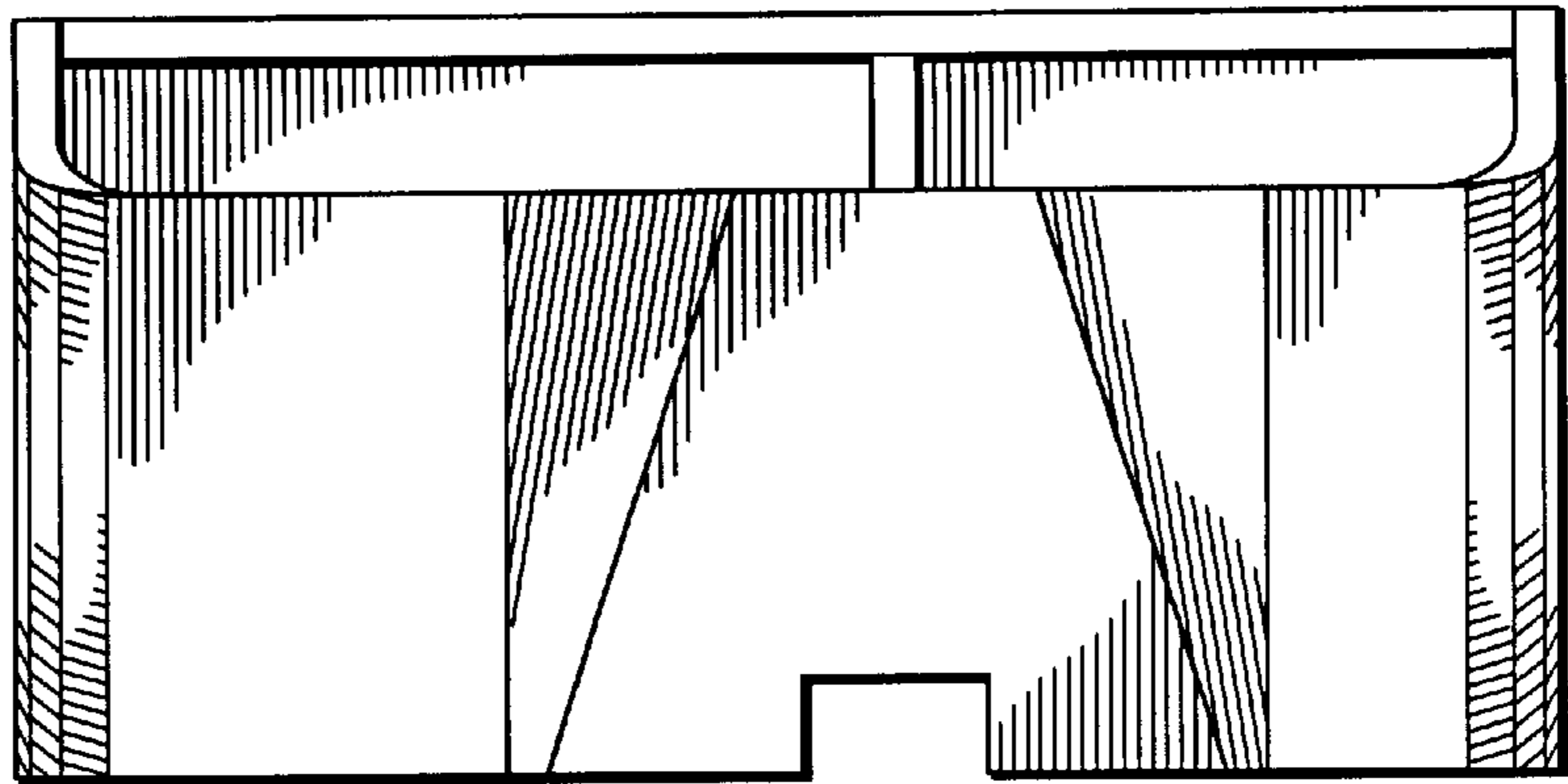


FIG. 13

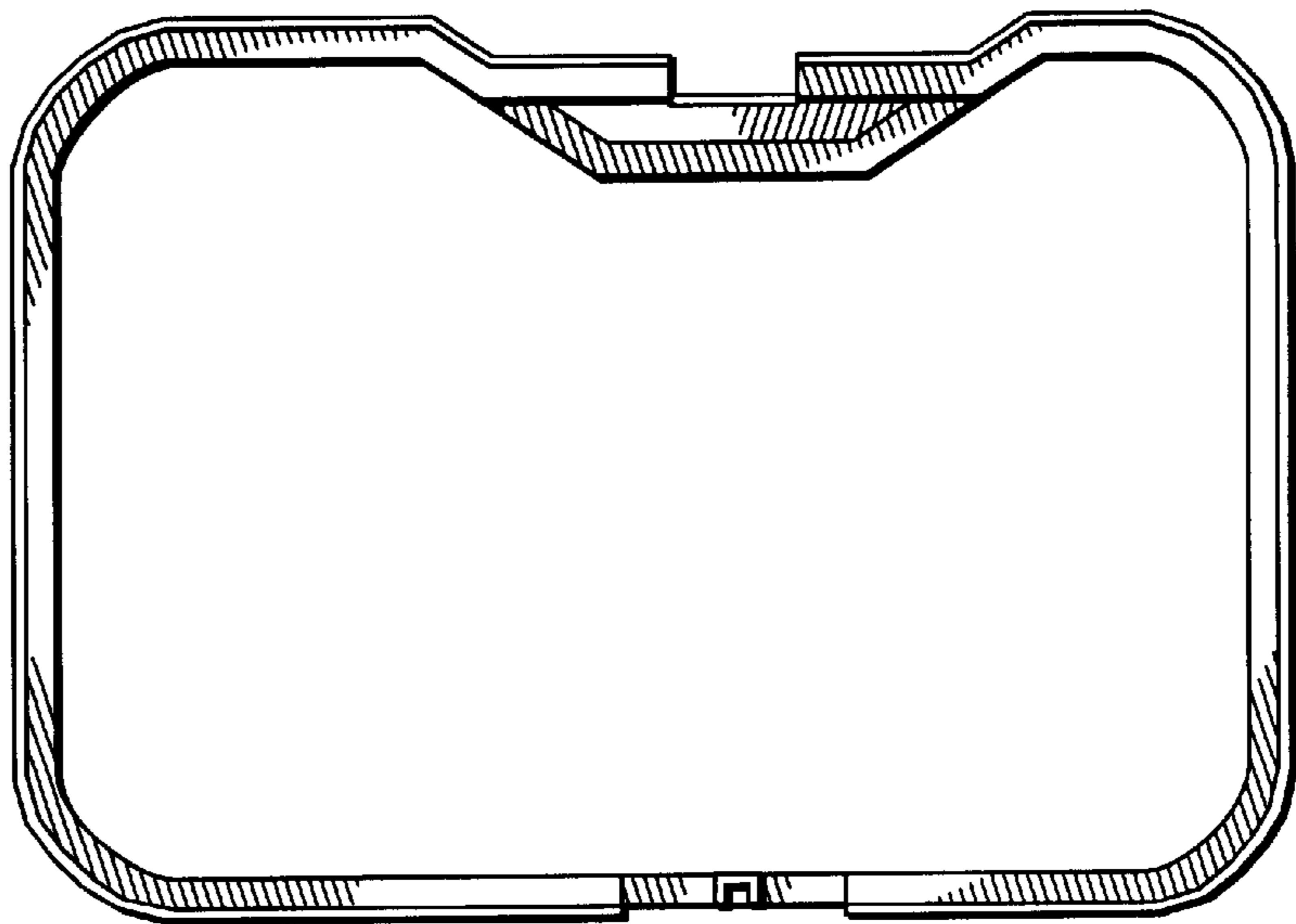


FIG. 14