



US00D488899S

(12) **United States Design Patent**  
**Divoll et al.**

(10) **Patent No.: US D488,899 S**

(45) **Date of Patent: \*\* Apr. 20, 2004**

(54) **TRASH CONTAINER**

(76) Inventors: **Arthur E. Divoll**, 228 Front St.,  
Winchendon, MA (US) 01475; **Hector**  
**J. Michaud, Jr.**, 228 Front St.,  
Winchendon, MA (US) 01475

(\*\*) Term: **14 Years**

(21) Appl. No.: **29/167,802**

(22) Filed: **Sep. 23, 2002**

(51) **LOC (7) Cl. .... 09-09**

(52) **U.S. Cl. .... D34/1**

(58) **Field of Search** ..... D34/1, 5, 6, 7,  
D34/8, 9, 10, 11; 220/262, 263, 252, 908,  
909, 908.1, 910, 911

(56) **References Cited**

**U.S. PATENT DOCUMENTS**

D213,722 S \* 4/1969 Earles ..... D34/1  
D241,499 S \* 9/1976 Reftery ..... D34/9  
D355,514 S \* 2/1995 Breen ..... D34/1

D365,427 S \* 12/1995 Brightbill et al. .... D34/1  
D401,383 S \* 11/1998 Gish ..... D34/1  
D453,600 S \* 2/2002 Lin ..... D34/9  
D459,046 S \* 6/2002 Laib ..... D34/1  
D467,696 S \* 12/2002 Rashid ..... D34/9  
D470,639 S \* 2/2003 Quan ..... D34/9  
D473,360 S \* 4/2003 Fuller ..... D34/7

\* cited by examiner

*Primary Examiner*—Cynthia E. Ramirez

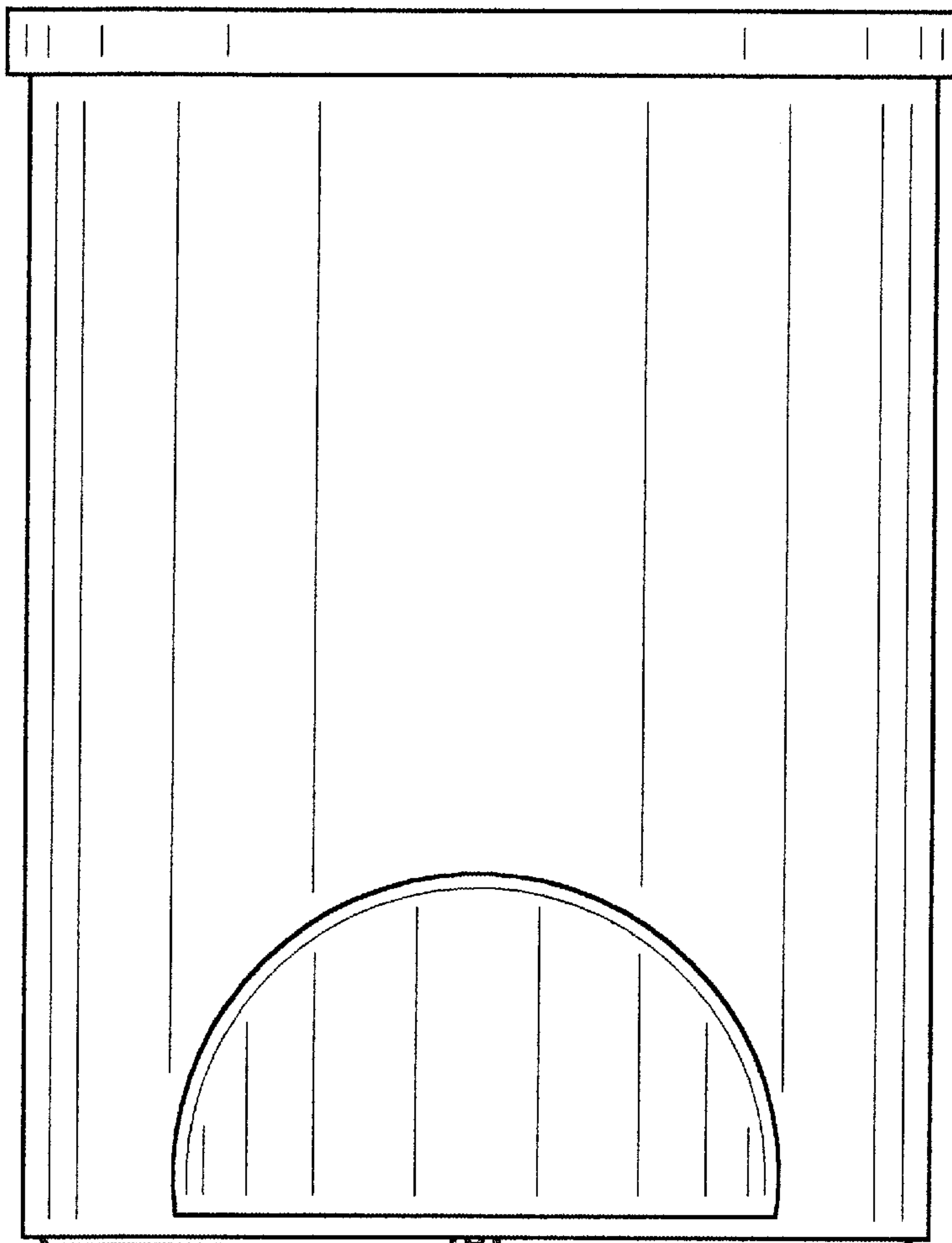
(57) **CLAIM**

The ornamental design for a trash container, as shown and described.

**DESCRIPTION**

FIG. 1 is a front view of a trash container showing my new design;  
FIG. 2 is a side view of the trash container;  
FIG. 3 is a top view of the trash container; and,  
FIG. 4 is a bottom view of the trash container.

**1 Claim, 2 Drawing Sheets**



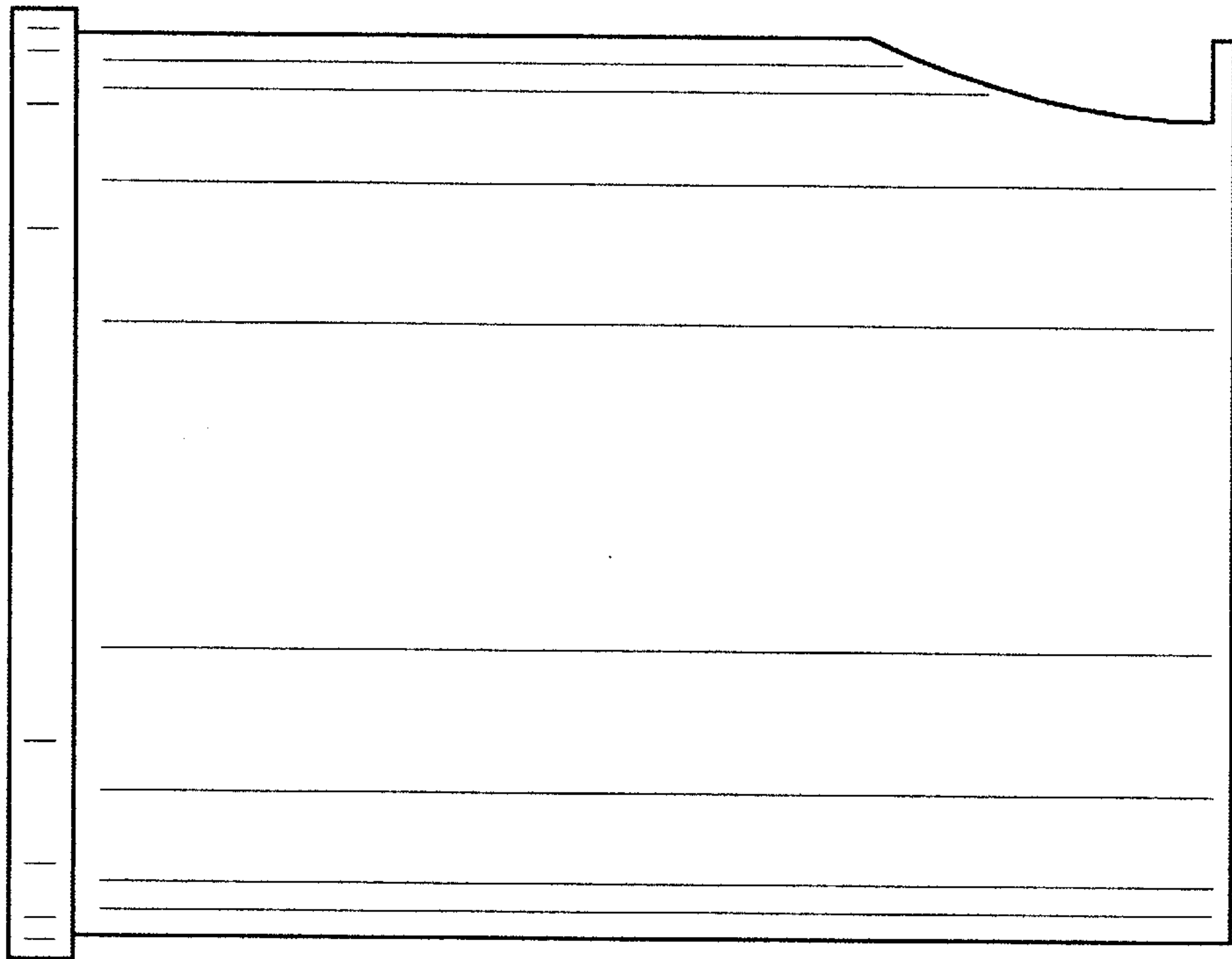


FIG. 2

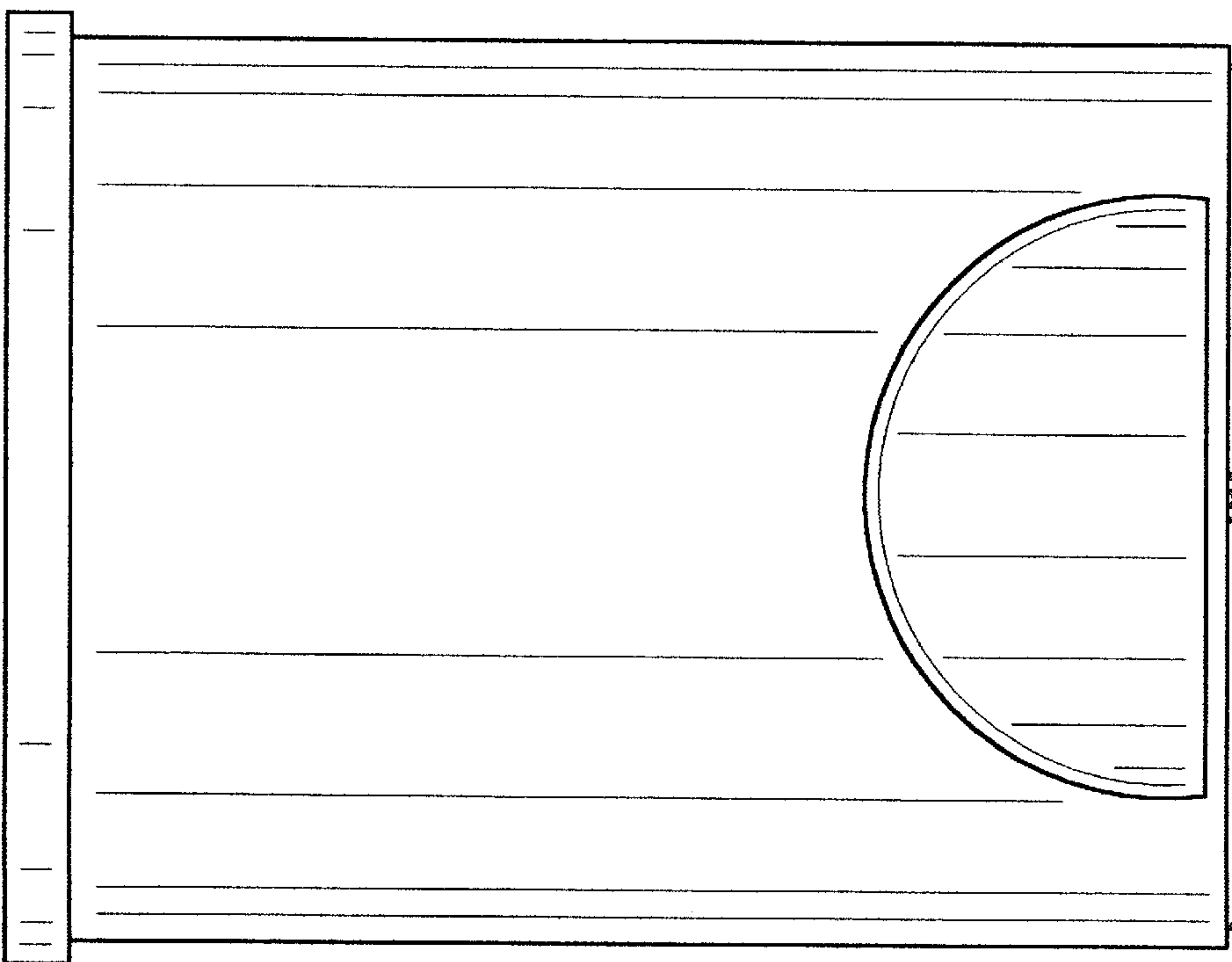


FIG. 1

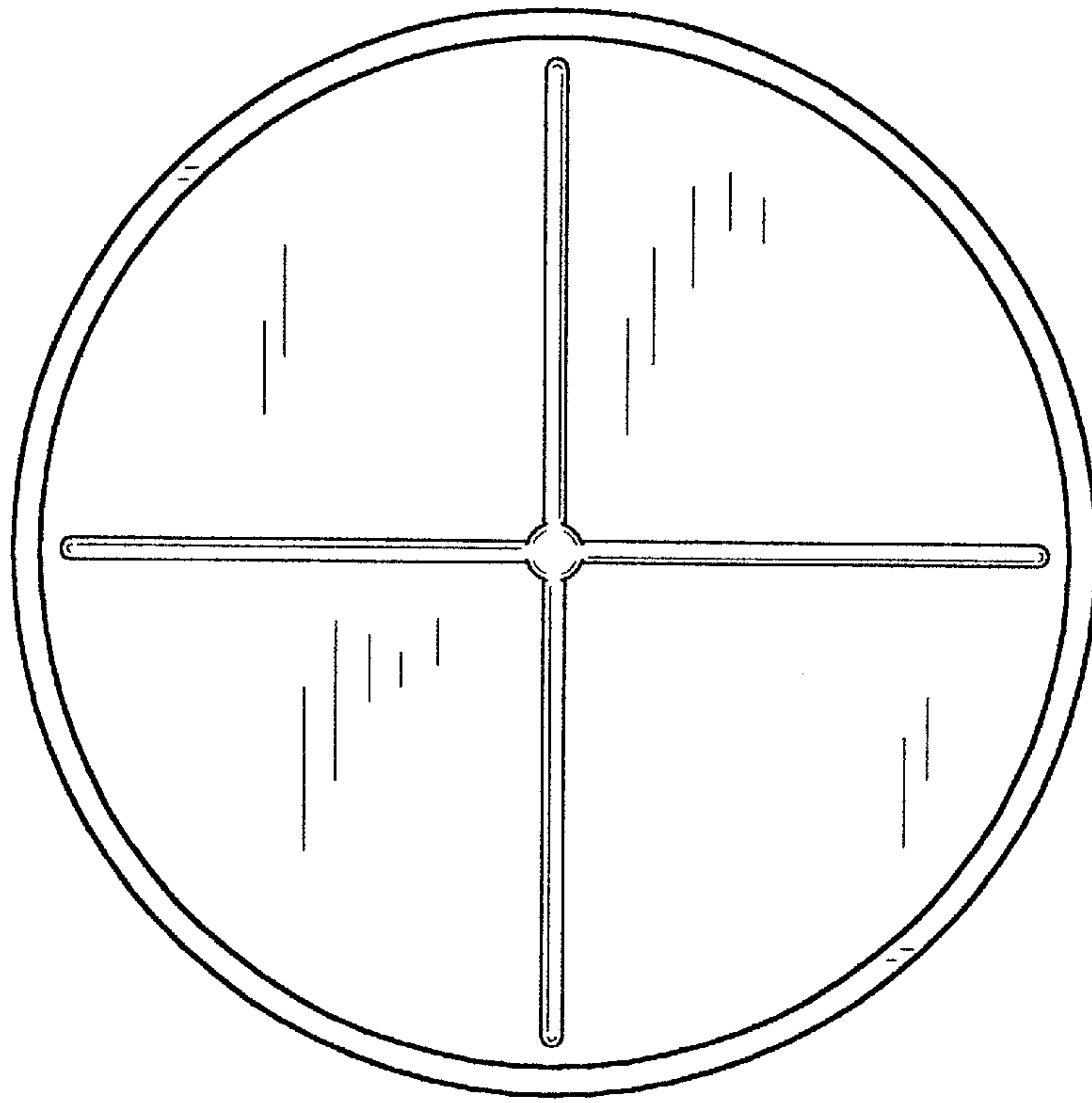


FIG. 4

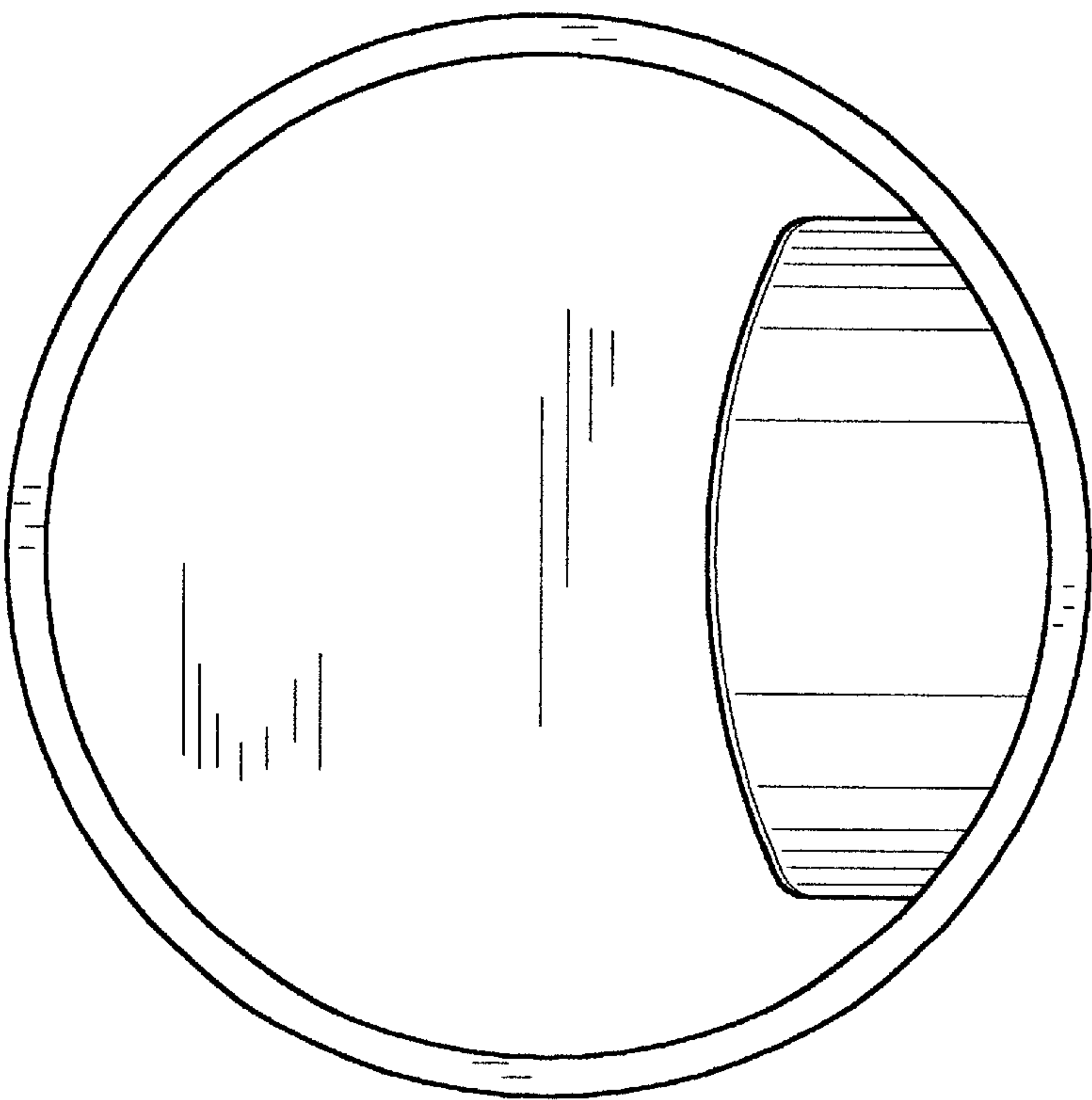


FIG. 3